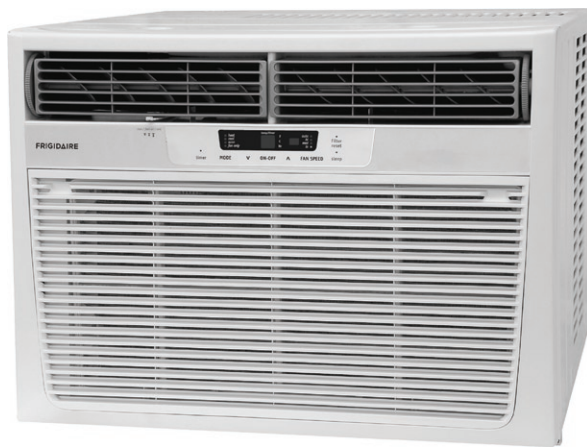




# Home Comfort

FRA08PZU1

## Compact Slide-Out Chassis Air Conditioner/Heat Pump



### Signature Features

#### Effortless™ Remote Temperature Control

A thermostat located on your air conditioner's remote control precisely maintains preset room temperature, so you will remain comfortable at all times.

#### Supplemental Heating Option

Our versatile unit offers a supplemental heating capability, providing you with an additional heat source when needed.

#### Ready-Select® Controls

Easily select options with the touch of a button.

#### Remote Control

Allows you to precisely control the temperature and fan speed from across the room.

### Product Dimensions

Height	15-3/8"
Width	22-5/8"
Depth	23-1/2"

### More Easy-To-Use Features

#### Effortless™ Clean Filter

Our antibacterial filter reduces bacteria, room odors and other airborne particles for a cool, comfortable environment.

#### Multi-Speed Fan

Features three different fan speeds, for more cooling flexibility.

#### Sleep Mode

Quiet operation keeps you cool without keeping you awake. Plus, Sleep Mode gradually increases room temperature after being activated.

#### Quickly Cools

Quickly cool a room on hot days.

#### Comfort Control Design

Easily control the direction of your cool air, wherever your unit is.

#### Effortless™ Restart

Automatically resumes operating at its previous settings when power is restored to your unit.

#### Clean Filter Alert

Notifies you when your filter needs to be cleaned.

#### Power Cord

Comes with an extra long three-prong cord — makes extension cords unnecessary.

#### SpaceWise® Adjustable Design Optional Side Panels

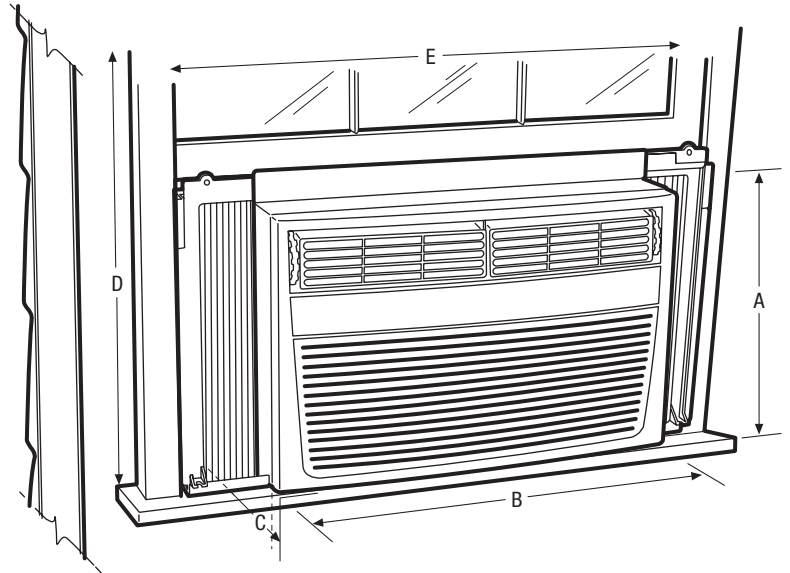
Extend so you can adjust your unit to fit your window.

#### 24-Hour On/Off Timer

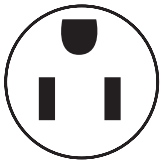
Keep things cool on your schedule.

Performance	BTUs
Cool	8,000
Heat	3,500
Heat Pump	7,000

<b>Performance</b>	
BTU (Cool)	8,000
BTU (Heat)	3,500
BTU (Heat Pump)	7,000
Dehumidification (Pints/Hour)	1.5
Cool Area (Sq. Ft.)	350
Energy Efficiency Ratio	9.8
<b>Electrical</b>	
Volts	115
Amps (Cool)	7.4
Amps (Heat)	11.6
Amps (Heat Pump)	7.4
Watts (Cool)	815
Watts (Heat)	1,290
Watts (Heat Pump)	780
Length of Power Cord (Min./Max.)	6' / 6.5'
Plug Type (NEMA)	LCDI (5-15P)
<b>Features</b>	
Electronic Controls	Ready-Select® Controls
Fan Speeds (Cool/Fan/Heat)	3/3/1
Low Voltage Start-Up	Yes
Auto Cool Function	
Energy Save	Yes
Sleep Mode	Yes
Filter Check	Yes
24-Hour On/Off Timer	Yes
Clean Air Ionizer	
Remote Control	Full-Function with Heat
Air CFM (High/Med/Low)	278/252/216
Air Direction Control	8-Way
Fresh Air/Exhaust Vent/Closed	No/No/Yes
Filter Type	Antibacterial Mesh
Filter Access	Tilt-Out
Slide-Out Chassis	Yes
Window Mounting Kit (Included)	Pleated Quick Mount
Warranty <sup>1</sup>	Yes
<b>Certifications</b>	
Performance	AHAM
<b>Specifications</b>	
Refrigerant	R410a
Shipping Weight (Approx.)	89 Lbs.



<sup>1</sup>Warranty 5 year sealed system/1 year full parts and labor.



Plug Type (NEMA)  
5-15P

NOTE: For planning purposes only. Always consult local and national electric codes. Refer to Product Installation Guide for detailed installation instructions on the web at [frigidaire.com](http://frigidaire.com).



Product Dimensions	
A - Height	15-3/8"
B - Width	22-5/8"
C - Depth	23-1/2"

Window Dimensions	
D - Height (Min.)	16-1/2"
E - Width (Min./Max.)	26-7/8" / 36"
Wall Cutout Dimensions	
Height	16-1/8"
Width	23-3/16"
Max. Wall Thickness	6-1/8"

Accessories information available on the web at [frigidaire.com](http://frigidaire.com)