



Installation Instructions

Distinctive™ Wall Mount Range Hood

Model DH3006S

APPROVED FOR USE WITH ALL DACOR® RANGES AND COOKTOPS.

**TESTED IN ACCORDANCE WITH THE LATEST EDITION OF ANSI/UL 507
STANDARD FOR ELECTRIC FANS AND CAN/CSA-C22.2 NO. 113 STANDARD
FOR FANS AND VENTILATORS.**

Table of Contents

Important Safety Instructions	1	Installation Instructions	6
Important Information About Safety Instructions	1	Verify the Package Contents	6
General Safety Precautions	2	Mounting Location Preparation	6
Product Specifications	3	Electrical Service Installation	7
Specifications and Dimensions	3	Duct Cutout	7
Planning the Installation	4	Hanging the Range Hood	8
Cabinet Layout	4	Ductwork Installation	8
Power Supply	4	Final Electrical Installation	8
Planning the Ductwork	5	Verifying Proper Operation	10
		Installation Checklist	11
		Wiring Diagram	12

Before You Begin...

Important:

- **Installer:** In the interest of safety and to minimize problems, read these installation instructions completely and carefully before you begin the installation process. Leave these installation instructions with the customer.
- **Customer:** Keep these installation instructions for future reference and the local electrical inspector's use.

Customer Service Information

If You Need Help...

If you have questions or problems with installation, contact your Dacor dealer or the Dacor Customer Service Team. For repairs to Dacor appliances under warranty, call the Dacor Distinctive Service line. Whenever you call, have the model and serial number of the appliance ready. The model and serial number are printed on the appliance data plate.

Dacor Customer Service Team

Phone: (800) 793-0093 (U.S.A. and Canada)
Monday — Friday 6:00 a.m. to 5:00 p.m. Pacific Time
Web site: www.dacor.com

Dacor Distinctive Service (for repairs under warranty only)

Phone: (877) 337-3226
Monday — Friday 6:00 a.m. to 4:00 p.m. Pacific Time

Product Data Plate

- The product data plate contains the model and serial number information and the electrical requirements.
- It is located inside the hood behind the filters on the back side of the chassis. Remove the filters to view it.

All specifications subject to change without notice. Dacor assumes no liability for changes to specifications.

Important Safety Instructions

Important Information About Safety Instructions

- The **Important Safety Instructions** and warnings in these instructions are not meant to cover all possible problems and conditions that can occur. Use common sense and caution when installing, maintaining or operating this or any other appliance.
- Always contact the Dacor Customer Service Team about problems and conditions that you don't understand.

Safety Symbols and Labels

DANGER

Immediate hazards that **WILL** result in severe personal injury or death.

WARNING

Hazards or unsafe practices that **COULD** result in severe personal injury or death.

CAUTION

Hazards or unsafe practices that **COULD** result in minor personal injury or property damage.

DANGER

To avoid the possibility of explosion or fire, do not store or use combustible, flammable or explosive vapors and liquids (such as gasoline) inside or in the vicinity of this or any other appliance. Also keep items that could explode, such as aerosol cans away from cooktop burners, ovens and range hoods. Do not store flammable or explosive materials in adjacent cabinets or areas.

WARNING

If the information in this manual is not followed exactly, a fire or explosion may result causing property damage, personal injury or death.

WARNING

WARNING - TO REDUCE THE RISK OF FIRE, ELECTRIC SHOCK, OR INJURY TO PERSONS, OBSERVE THE FOLLOWING:

- a) Use this unit only in the manner intended by the manufacturer. If you have questions, contact the manufacturer.
- b) Before servicing or cleaning unit, switch power off at service panel and lock the service disconnecting means to prevent power from being switched on accidentally. When the service disconnecting means cannot be locked, securely fasten a prominent warning device, such as a tag, to the service panel.

WARNING

WARNING – TO REDUCE THE RISK OF FIRE, ELECTRIC SHOCK, OR INJURY TO PERSONS, OBSERVE THE FOLLOWING:

- a) Installation work and electrical wiring must be done by qualified person(s) in accordance with all applicable codes and standards, including fire-rated construction.
- b) Sufficient air is needed for proper combustion and exhausting of gases through the flue (chimney) of fuel burning equipment to prevent back drafting. Follow the heating equipment manufacturer's guideline and safety standards such as those published by the National Fire Protection Association (NFPA), and the American Society for Heating, Refrigeration and Air Conditioning Engineers (ASHRAE), and the local code authorities.
- c) When cutting or drilling into wall or ceiling, do not damage electrical wiring and other hidden utilities.
- d) Ducted fans must always be vented to the outdoors.

READ AND SAVE THESE INSTRUCTIONS

Important Safety Instructions

CAUTION

For general ventilating use only. Do not use to exhaust hazardous or explosive materials and vapors.

General Safety Precautions

To reduce the risk of fire, electric shock, serious injury or death when using this appliance, follow basic safety precautions, including the following:

WARNING

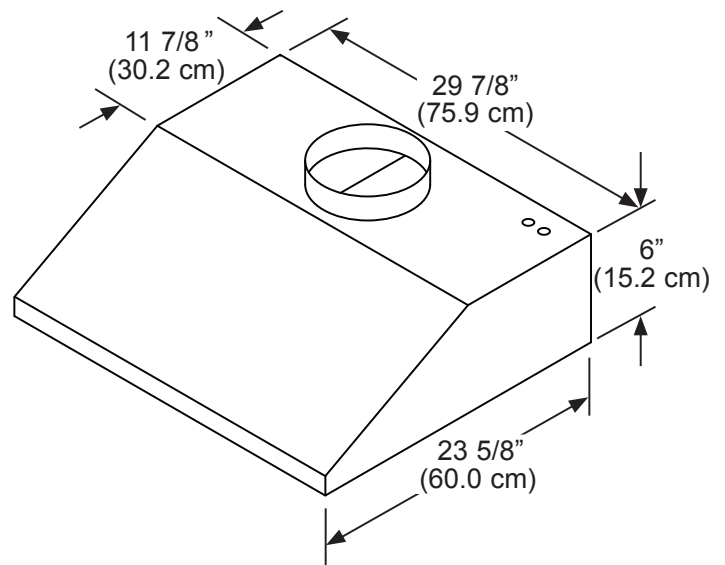
- Do not install or operate this hood if it has been damaged, dropped, has damaged electrical wires or is not working properly. If the product is damaged when received, immediately contact the dealer or builder.
- This range hood must be installed and grounded by a qualified installer according to these installation instructions.
- Install or locate this appliance only in accordance with these installation instructions and the requirements specified by the manufacturer of the cooktop or range. Improper installation, adjustment, alteration, service or maintenance can cause serious personal injury or property damage.
- The customer should not install, repair or replace any part of the range hood unless specifically recommended in the literature accompanying it. A qualified service technician should perform all other service. Contact the nearest Dacor authorized service representative at (800) 793-0093, or at www.dacor.com for examination, repair or adjustment.
- Keep all packaging materials away from children. Plastic bags can cause suffocation.
- Do not use an extension cord or adapter plug with this appliance.
- The installer must show the customer the location of the fuse box or circuit breaker panel box so that the customer knows where and how to turn the power off.
- Before installing or servicing the range hood, switch power off at the fuse box circuit breaker and lock the electrical panel door to prevent power from being switched on accidentally. When the electrical panel cannot be locked, securely fasten a prominent warning device, such as a tag, to the electrical panel.
- Read the use and care manual completely before using this appliance. Clean this appliance only as instructed in the use and care manual. Use only the cleaners specified.
- Do not tamper with the controls.
- Never allow the filter(s) to become blocked or clogged. Do not allow foreign objects, such as cigarettes or napkins, to be sucked into the hood.
- Clean the filter(s) and all grease-laden surfaces often to prevent grease fires and maintain performance.
- If the cooktop and range hood are near a window, use appropriate window treatment. Avoid long drapes or other window coverings that could blow over the cooktop and hood, resulting in a fire hazard.
- Always run the fan(s) whenever the cooktop is operating.
- Never leave the range or cooktop unattended when a burner (or element) is in use. Boil-overs and greasy spills may smoke and/or ignite.
- Do not leave children alone or unattended in the area where the cooktop and range hood are in use. Never allow children to sit or stand on an appliance. Do not let children play with a range, cooktop or range hood. Do not store items of interest to children above or around the cooktop, range or range hood.
- The minimum vertical distance between the cooktop surface and the exterior part of the hood must be no less than 25" (63.5 cm). The vertical distance may be longer for the range or cooktop being used. Consult the range or cooktop installation instructions for the minimum and maximum vertical distance from the appliance being used.
- TO REDUCE THE RISK OF FIRE, USE ONLY METAL DUCTWORK.

Product Specifications

Specifications and Dimensions

Number of fan speeds	Infinite
Filters	Mesh type, dishwasher safe (Optional baffle type available, order part number AHBF2)
Exhaust	8-inch
Total Connected Load	120 Vac, 60 Hz., 2 Amp. Max. (10.0 Amp Max. surge)
Lights	120 Vac, 75 W halogen
Number of lights	2
Number of filters	2
Exhaust Outputs	1
Fan Rating	600 CFM*
Weight	31 lbs. (14.1 kg)

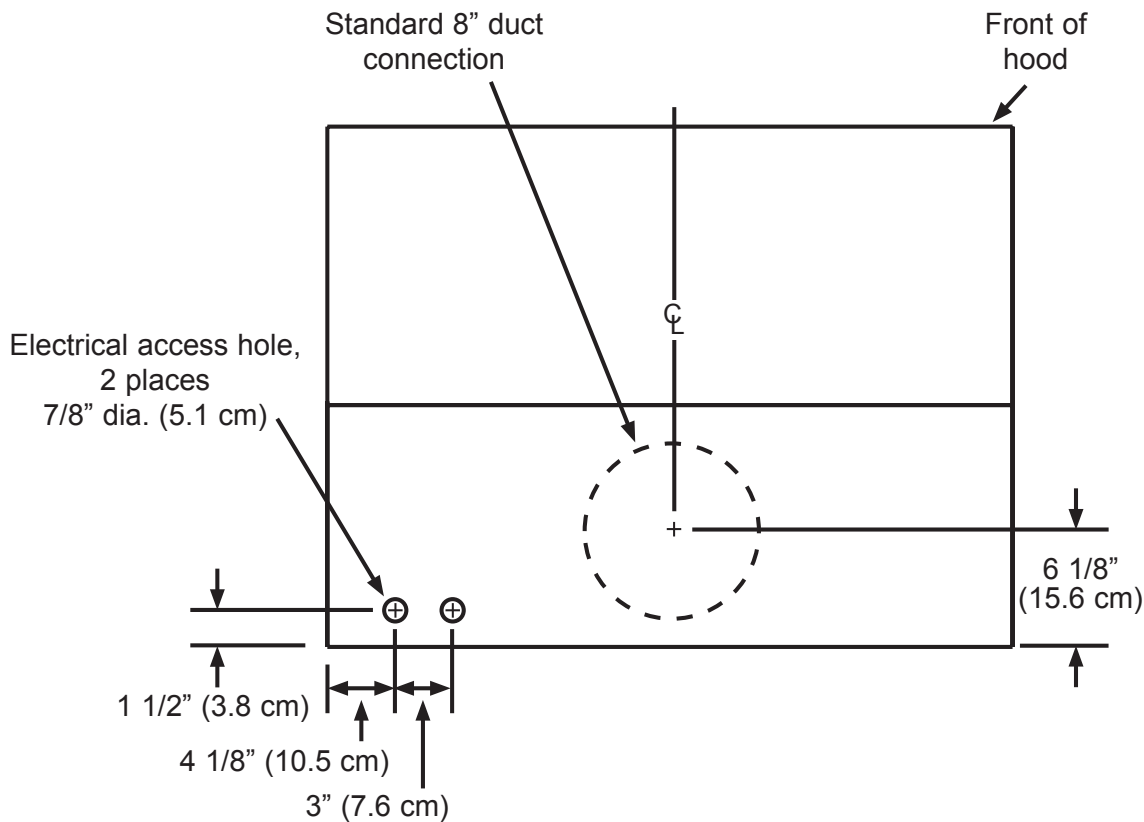
* At zero inches static pressure



Overall Dimensions

Tolerances: +1/16" (1.6 mm) -0, unless otherwise stated.

NOTE: The exhaust duct and electrical wiring are connected from the top of the hood.



Top Dimensions

Planning the Installation

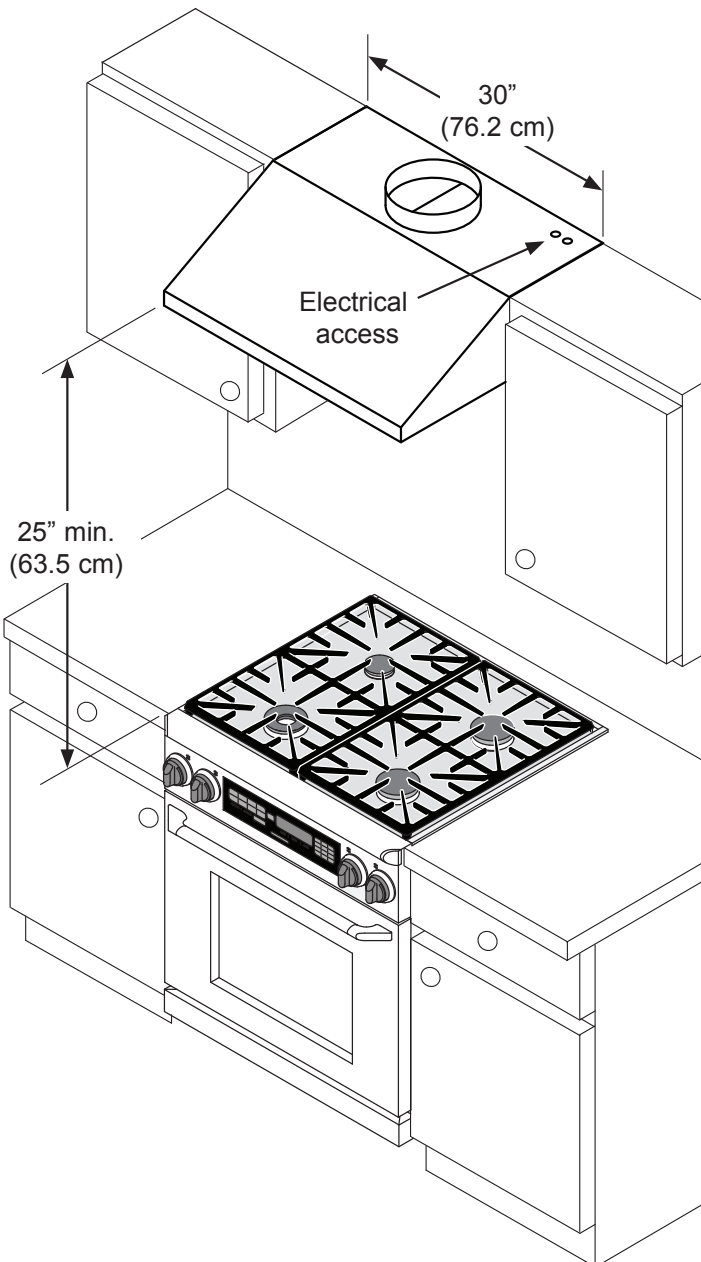
WARNING

Observe all governing codes and ordinances during planning and installation. Contact your local building department for further information.

Cabinet Layout

WARNING

To reduce the risk of personal injury caused by reaching over a hot appliance, cabinet storage space located directly above the range should be avoided.



IMPORTANT

See the diagram for minimum installed distance from the hood to the cooktop surface. The minimum specified distance may be higher for the particular range or cooktop in use. Check the manufacturers specifications for the cooktop or range.

- Carefully check the location where the hood is to be installed. The hood should be placed for convenient access. Make certain that electric power can be provided in the selected location. The hood must be centered horizontally over the cooktop/range.
- The hood model selected must be as wide as the cooktop surface or wider.
- Plan the installation so that all minimum dimensions are met or exceeded. Dimensions shown provide minimum clearances, unless otherwise noted.
- All contact surfaces between the hood and any cabinets or walls must be solid and at right angles.
- Install the range hood and cooking appliance(s) so that they can be removed if service is required.

Power Supply

WARNING

The electric service to the range hood should be installed only by a licensed electrician.

It is the owner's responsibility to ensure that the electrical connection of this appliance is performed by a qualified electrician. The electrical installation, including minimum supply wire size and grounding, must be in accordance with the National Electric Code ANSI/NFPA 70* (or latest revision) and local codes and ordinances.

*A copy of this standard may be obtained from:

National Fire Protection Association
1 Batterymarch Park
Quincy, Massachusetts 02269-9101

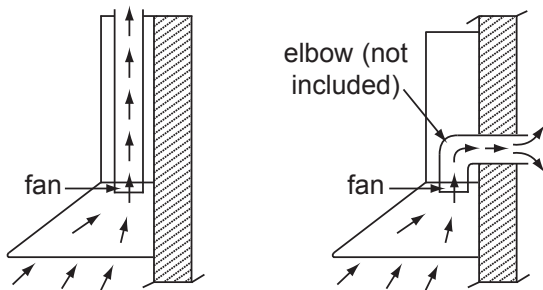
- The ground terminal on the hood must be connected to a grounded, metallic, permanent wiring system or grounding conductor installed by a licensed electrician.
- Do not ground the appliance or appliance wiring to a gas pipeline or to the neutral (white) power supply wire.
- Do not install a fuse in the neutral or ground circuit.
- Connect the hood directly to an electrical junction box. Hard-wire the hood according to local code directly to a dedicated three wire grounded, single phase circuit rated at 120 Vac 60 Hz, 15 Amp.

Planning the Installation

Planning the Ductwork

WARNING

- To prevent combustion by-products, smoke or odors from entering the home and to improve efficiency, tape all duct joints securely.
 - Use only ductwork deemed acceptable by state, municipal and local codes.
 - Range hoods may interrupt the proper flow of smoke and combustion gases from furnaces, gas water heaters and fireplaces. To avoid drawing lethal gases into the home, follow the manufacturer's recommendation for these devices and consult NFPA and ASHRAE recommendations.
 - Failure to install proper ductwork may result in a back draft and/or the insufficient venting of smoke and fumes.
 - **DO NOT** install an additional in-line or external blower to increase the length of the duct run. Even small differences between blower air flow rates can greatly reduce the air draw by the hood.
 - **CAUTION** - To reduce the risk of fire and to properly exhaust air, be sure to duct air outside the house or building. Do not vent exhaust air into spaces within walls or ceilings or into attics, crawl spaces or garages.
- For optimal performance, consult a qualified HVAC specialist when designing the duct system.
 - All ductwork materials (including screws and duct tape) must be purchased separately by the customer. When planning new ductwork, always look for the shortest, most direct route to the outside.



- The exhaust connects to 8-inch dia. round duct. You may increase the duct size over the duct run if desired. To prevent a back draft, never decrease the duct size over the run. If existing ductwork is smaller than 8 inches, remove and replace with 8-inch ductwork.
- Do not rely on tape alone to seal duct joints. Fasten all connections with sheet metal screws and tape all joints with certified silver tape or duct tape. Use sheet metal screws as required to support the duct weight.
- To prevent back-drafts, a damper at the duct outlet may be required. Make sure ductwork does not interfere with floor joists or wall studs.

Calculating the Maximum Duct Run Length

The maximum straight duct length for the hood is determined by the type of duct used. See the chart below.

DUCT SIZE	MAXIMUM DUCT RUN
8" round	60 feet
10" round	50 feet
3¼" X 10" rectangular	50 feet

For each elbow and transition added to the ductwork, a certain number of feet must be subtracted from the maximum duct run to compensate for wind resistance. To determine the length the ductwork cannot exceed, subtract all of the equivalent lengths of the elbows and transitions listed below from the maximum duct run above.

Ductwork Equivalent Lengths

EQUIVALENT LENGTHS (NOMINAL)			
Piece	Subtract	Piece	Subtract
8" 90° elbow	7 feet	10" 90° elbow	5 feet
8" 45° elbow	3 feet	10" 45° elbow	2 feet
3¼" X 10" to round 90° transition	25 feet	3¼" X 10" to 8" / 10" round transition	4 feet
3¼" X 10" 90° elbow	15 feet	3¼" X 10" 90° flat elbow	20 feet
3¼" X 10" 45° elbow	7 feet	Roof cap or wall cap with damper	*

* The equivalent lengths of roof and wall caps vary with model and configuration. For equivalent length, contact the manufacturer or a qualified HVAC specialist.

Ductwork Design Tips

Wherever possible, reduce the number of transitions and turns to as few sharp angles as possible. Two staggered 45° angles are better than one 90°.

Keep turns as far away from the hood exhaust as possible, and as much space between bends as possible.

For best performance, use round duct instead of rectangular, especially when elbows are required.

If multiple elbows are used, try to keep a minimum of 24 inches straight duct between them.

Avoid "S" or "back to back" use of adjacent elbows.

In regions where the weather gets extremely cold, use thermal breaks, such as a short section of non-metallic duct, to avoid indoor heat loss. Locate the break as close as possible to the outside pass through point.

Do not use flexible metal duct.

Do not use ductwork that is smaller in cross-sectional area than the recommended types above.

Installation Instructions

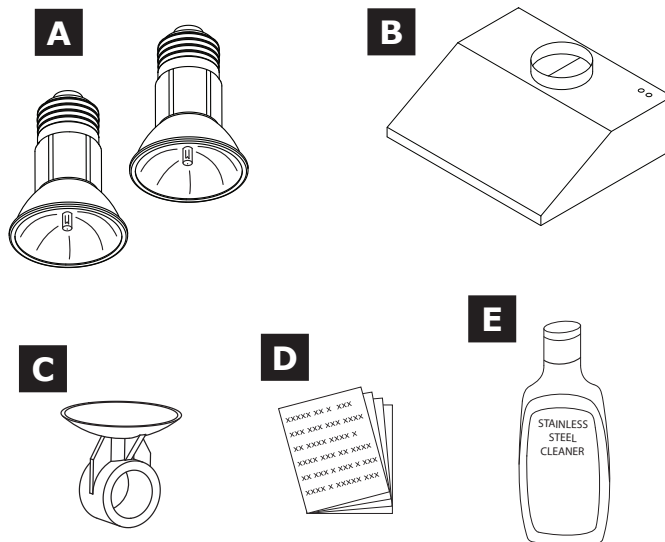
Verify the Package Contents

Unpack the parts box and verify that all parts have been included according to the parts list. If any item is missing or damaged, please contact the dealer immediately. Do not install a damaged or incomplete appliance.

Make sure you have everything necessary for proper installation before proceeding.

Parts List

- A** Light bulbs (2)
- B** Hood assembly with filters
- C** Light replacement tool
- D** Literature
- E** Dacor Stainless Steel Cleaner



Mounting Location Preparation

WARNING

- Do not install the range hood unless the electrical service provided meets the range hood specifications. The electrical service to the range hood should be installed only by a licensed electrician.
- Observe all governing codes and ordinances during site preparation and installation. Contact your local building department for further information.
- Failure to properly anchor the hood to the wall may result in personal injury due to the unit falling off the wall.
- A qualified technician must complete the installation of this built-in appliance. More than one person is required to raise the hood into place. The owner is responsible to make sure the hood is properly installed.
- To avoid an electric shock hazard and property damage, locate electric wires and water pipes and avoid drilling or cutting in the vicinity.

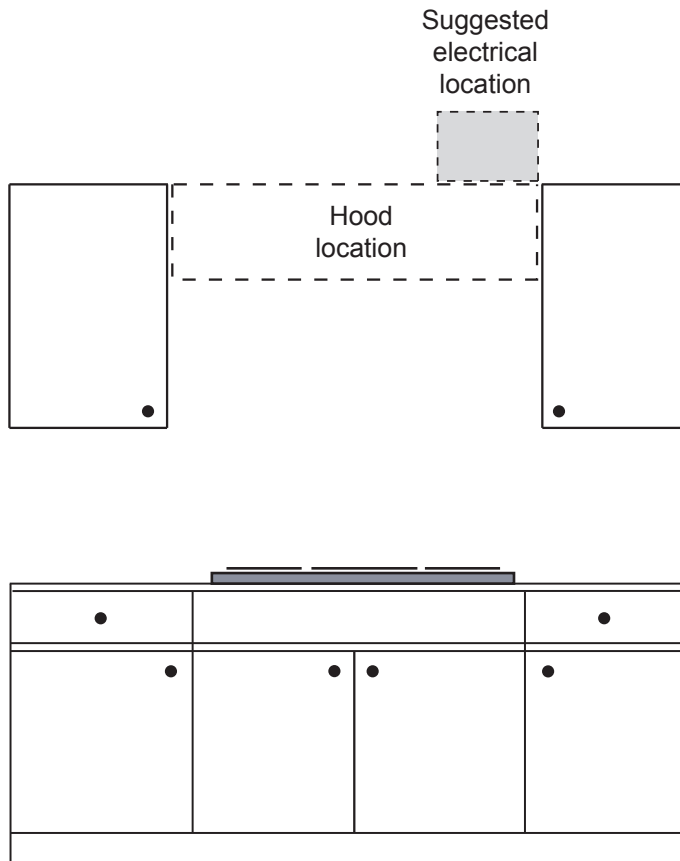
- For maximum stability, the hood must be attached at the top and the back.
- Determine the number, size and type of fasteners/anchors required to attach the hood permanently to the wall and the ceiling/overhead cabinet. Use the weight on page 3 and the mounting surface materials to help determine the size(s) and type(s) required.
- Make sure the mounting surfaces are able to handle the full weight of the hood. Reinforce if necessary.

Installation Instructions

Electrical Service Installation

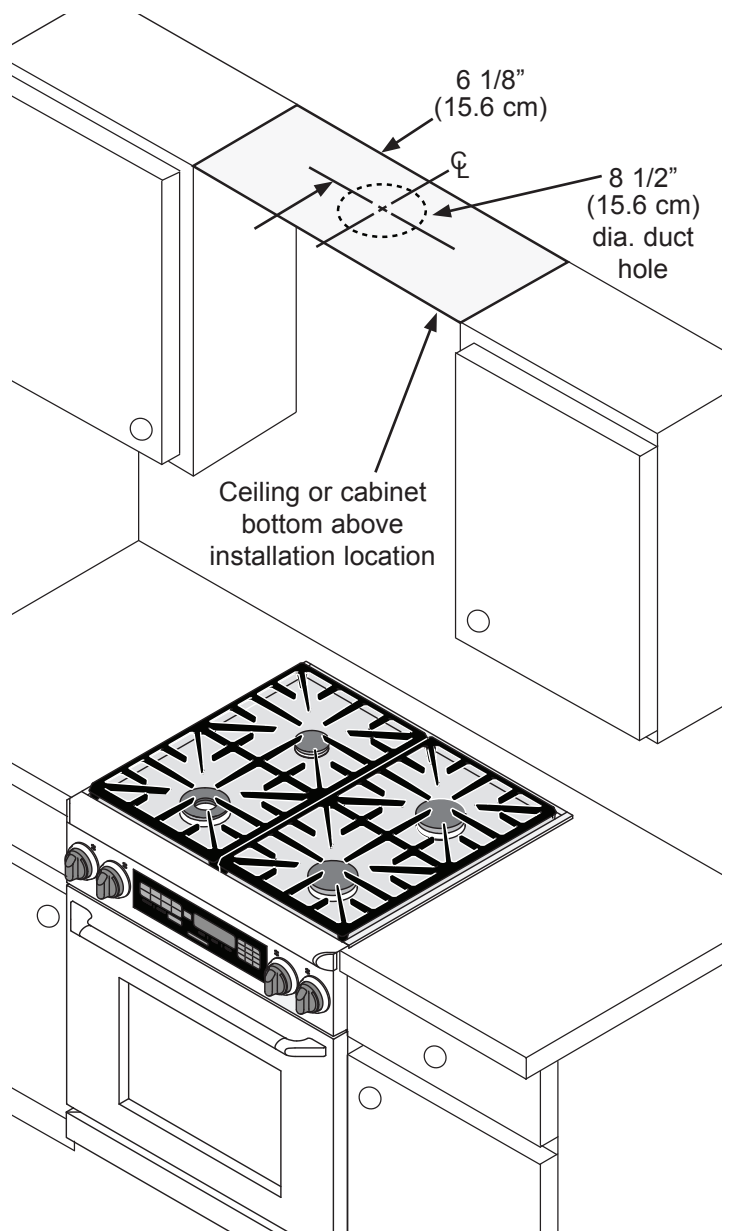
Install a junction box in the vicinity of the hood electrical access holes according to local codes. Install it above the hood. The diagram below shows the suggested location.

Drill a 7/8" hole in the ceiling or cabinet as necessary to allow the wiring to pass through into the hood. See page 3 for hole locations.



Duct Cutout

1. Using a pencil, draw the vertical center line for the range hood on the surface above the hood mounting location. The center line for the hood is usually halfway between the cabinets at the installation location or the same as the center line of the cooktop or range.
2. Draw a line perpendicular to the range center line drawn in step 1. Draw it 6 1/8" (15.6 cm) out from the wall.
3. Cut a hole above the mounting location in the ceiling or cabinet for the duct to pass through. It must be 8 1/2" (22 cm) in diameter and centered on the lines drawn in steps 1 and 2.



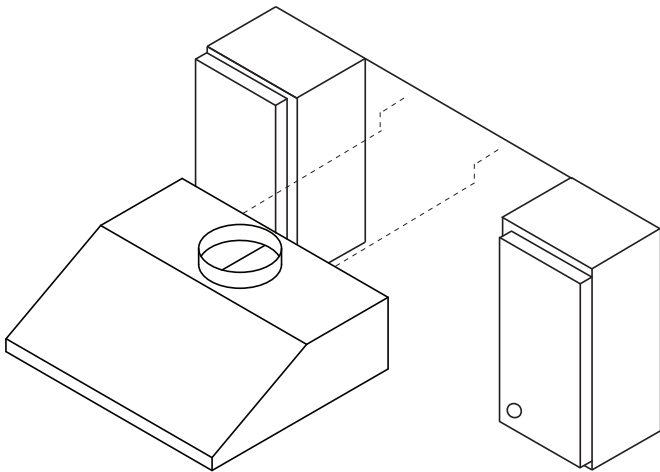
Installation Instructions

Hanging the Range Hood

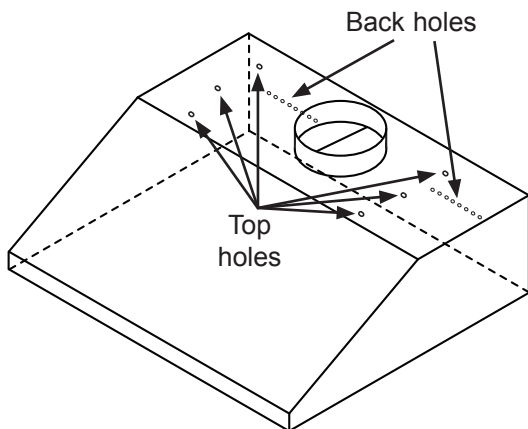
WARNING

Hanging the range hood requires two people. Do not attempt to lift the hood without assistance.

1. Remove the filters from the bottom of the hood to reduce the chance of damage during installation. Put them in a safe location.
2. Remove the plastic coating from the outside of the hood.
3. Lift the hood into its final position and hold it in place.



4. While holding it in place, mark the desired locations for the anchors or wood screws through the mounting slots on the back and top of the hood.



5. Remove the hood from the wall.
6. Drill the pilot or mounting anchor holes. If using mounting anchors insert them into the mounting holes.
7. Lift the hood again into its final position and fasten it in place. Insert the fasteners through the mounting slots in the back and top of the hood into the studs, mounting blocks or anchors.

Ductwork Installation

WARNING

During duct installation, make sure there are no obstructions that keep the damper flaps on the top of the hood from opening.

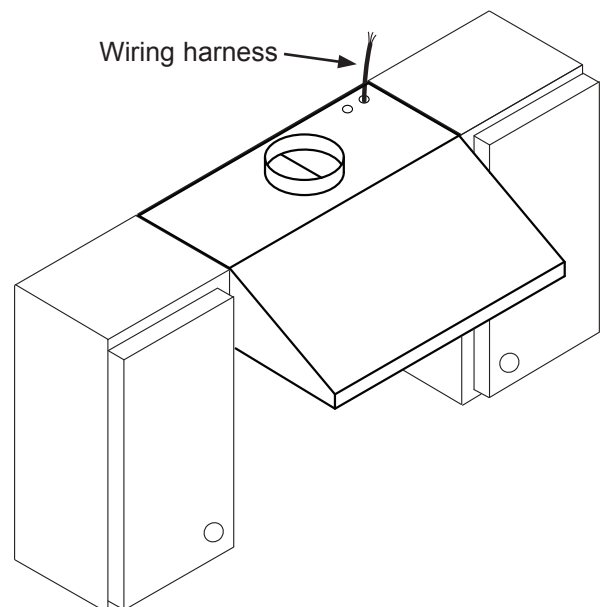
- Install the ductwork starting from the hood, working toward the outside vent. Observe the specifications on page 5.
- Fasten all joints with sheet metal screws and seal with duct tape or certified silver tape.

Final Electrical Installation

WARNING

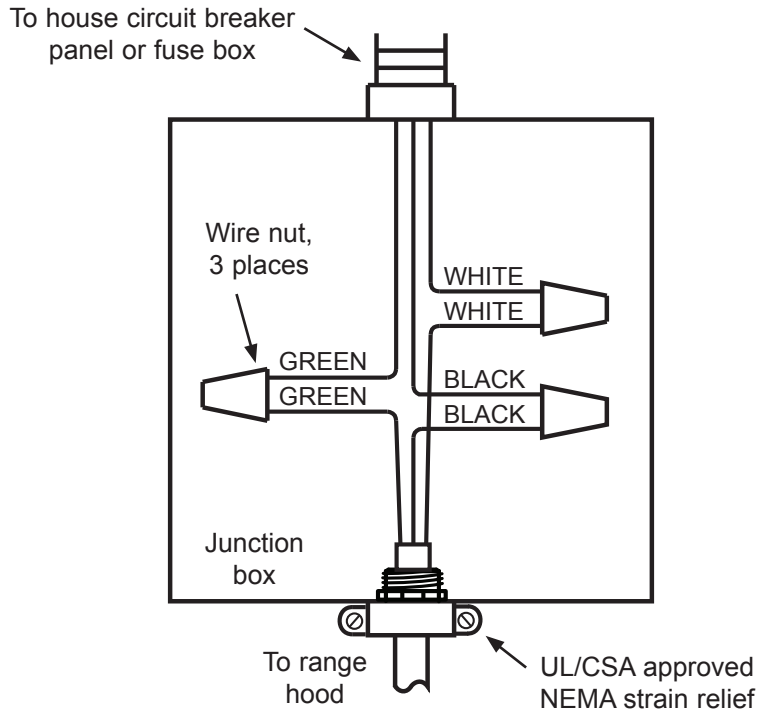
- To avoid electric shock or fire hazard, prior to connecting the electrical wiring to the hood, make sure that power to the hood power supply line is turned off at the fuse box or circuit breaker panel.
- Improper connection of the hood electrical wiring may create an electric shock or fire hazard and may result in damage to the hood's electrical system. See page 4 for specifications.
- Do not ground the hood to the neutral (white) power supply wire. Connect the hood ground wire to a separate, properly grounded wire installed by a licensed electrician.
- Make sure all wire used is capable of handling the total connected load. See page 3.

1. Turn off power to the electrical circuit that will supply the hood at the circuit breaker or fuse box.
2. Feed the end of the hood wiring harness through the wiring access hole as shown.

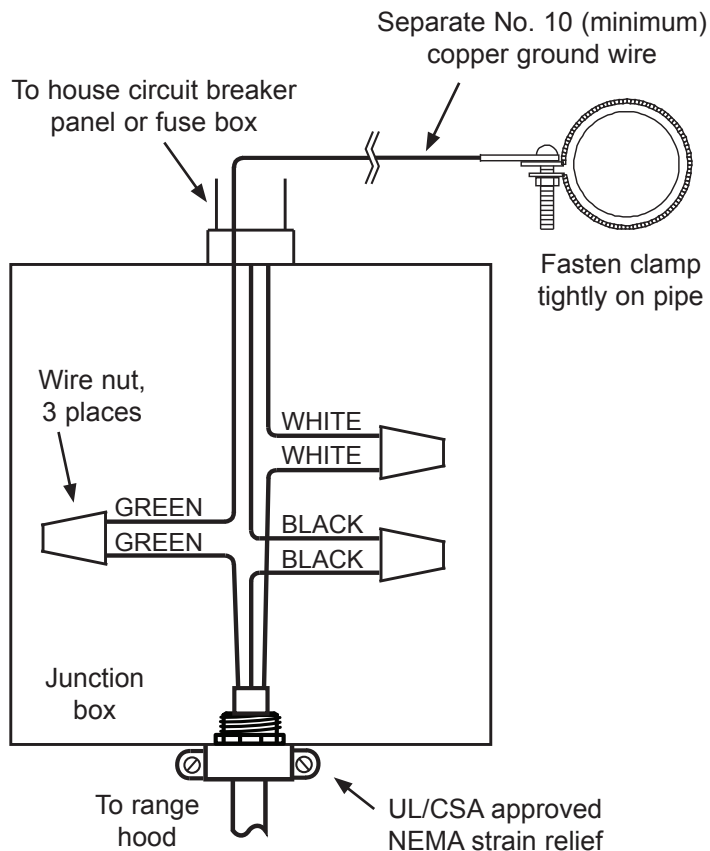


Installation Instructions

3. Connect the hood wiring to an electrical junction box on a dedicated circuit. See page 4 for specifications. Connect it according to one of the wiring diagrams below.



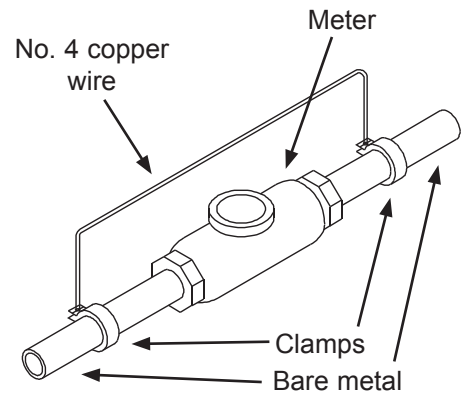
3 Wire Connection to Junction Box



Grounding the Hood Wiring Using an External Cold Water Pipe

⚠ WARNING

- Do not ground the circuit to a gas line or hot water pipe.
- Water lines that are insulated must be jumped to assure continuity to ground. See below.

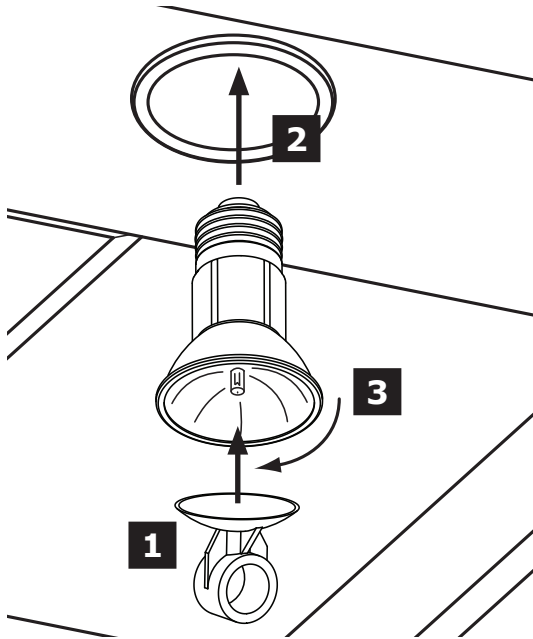


Insulated Pipe Jumper (if necessary)

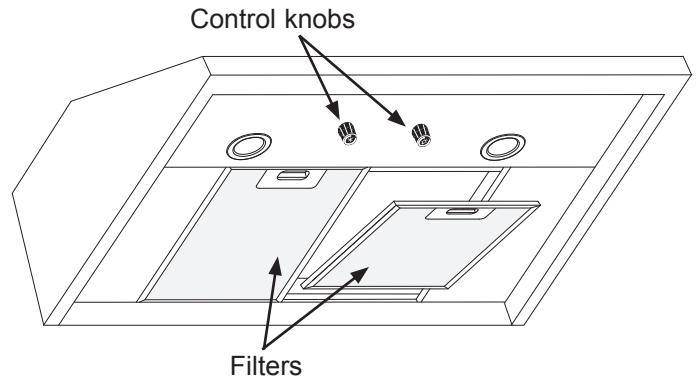
Installation Instructions

Light Bulb Installation

1. Attach the included suction cup to one of the provided light bulbs.
2. Insert it into one of the light fixtures.
3. Screw it into place and remove the suction cup.
4. Repeat for the remaining light fixture.



Verifying Proper Operation



1. Install the filters.
2. Turn on power at the circuit breaker panel or fuse box.
3. Turn the light and fan control knobs clockwise and make sure that the lights and fan operate properly.

If the hood fails to operate properly:

- Verify that power is supplied to the hood.
- Check the electrical connections to ensure that the installation has been completed correctly.
- Repeat the above test.
- If the hood still does not work, contact Dacor Distinctive Service at (877) 337-3226. Do not attempt to repair the appliance yourself. If you need service, be sure to have the model and serial numbers available when you call. See the inside cover for location.

Dacor is not responsible for the cost of repairing damage resulting from a faulty installation.

Installation Instructions

Installation Checklist

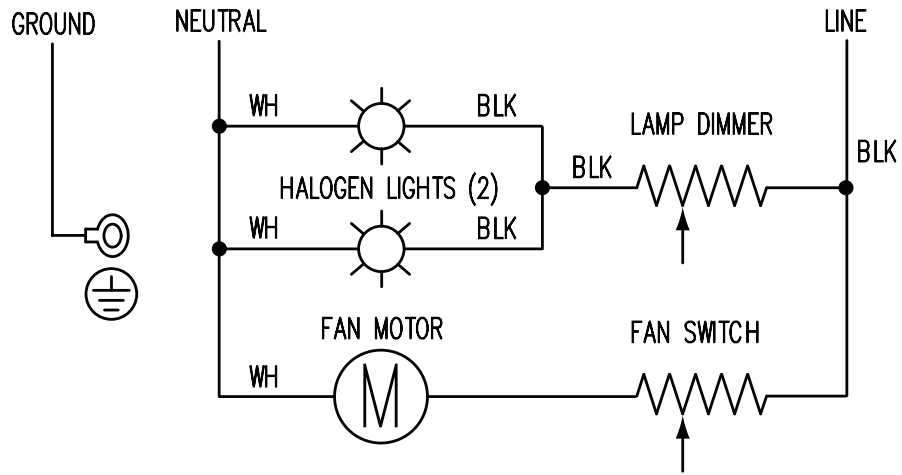


WARNING

- To ensure a safe and proper installation, the following checklist should be completed by the installer to ensure that no part of the installation has been overlooked.
- Proper installation is the responsibility of the homeowner. The importance of proper installation of your Dacor range hood cannot be overemphasized.

- Is the hood properly attached to the wall according to the instructions on page 8?
- Is the ductwork completely installed? Are all joints attached with sheet metal screws and wrapped with duct tape? See page 8.
- Is the range hood wired and grounded according to these instructions and in accordance with all applicable electric codes? See page 8.
- Are the filters properly installed according to the use and care manual?
- Has proper operation been verified?
- Has the warranty been activated on-line or the warranty card filled out completely and mailed? Have any problems been noted on the warranty card or during the on-line warranty activation?

Wiring Diagram



dacor[®]
The Life of the Kitchen.[®]

