

FRIGIDAIRE

GALLERY.



Dishwashers

FGHD2465N F/W/B

24" Built-In



Product Dimensions

Height (Adjustable)	33-1/2" - 35"
Width	24"
Depth (Including Door)	25"

More Easy-To-Use Features

Quick Clean

Clean dishes faster with Quick Clean.

SpaceWise®

Organization System

Our SpaceWise® Organization system features adjustable racks and the Largest Silverware Basket⁴ so there's a place for virtually anything.

Delay Start

Most adaptable delay start (1- to 24-hour options).

NSF® Certified

Sanitize cycle removes 99.9% of common household bacteria.

Smudge-Proof Stainless Steel⁵

Real Stainless Steel with a protective coating reduces fingerprints and smudges so it's easy to clean.

PowerPlus® Cycle

For an extra-heavy wash performance.

Largest Silverware Basket⁴

There's room for over 180 items in our largest, multicompartment silverware basket.

Signature Features



Best Cleaning Dishwasher¹

Exclusive OrbitClean™ Technology provides 4 times better water coverage and a clean no other dishwasher can beat.



Best Drying Performance²

With SaharaDry™, there's no need to towel-dry before putting dishes away.



Quietest Dishwasher in Its Class³

Quietest dishwasher, so it won't interrupt your time at home.



Eco-Friendly

ENERGY STAR® qualified dishwasher also features an Energy Saver Plus Cycle that uses less energy without compromising cleaning performance.

ENERGY STAR®
NSF® International
Certification



Available in:



Stainless
(F)



White
(W)



Black
(B)

¹Based on ANSI-AHAM-DW-1-2010 for plastic interior dishwashers. March 2012.

²Based on industry drying tests using SaharaDry™.

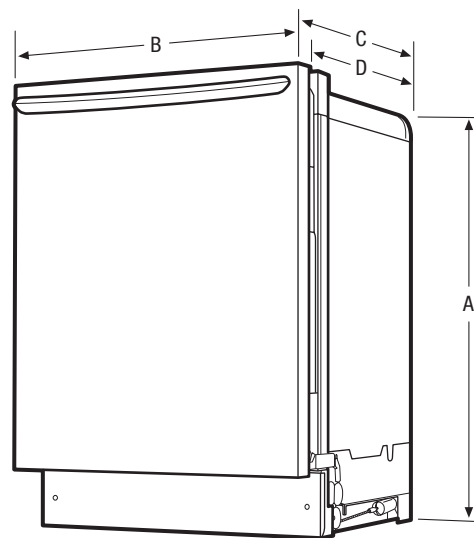
³In its class based on published manufacturer specifications for similar MSRP models.

⁴Among leading brands.

⁵Select model only.

Features	
Control Design	Fully-Integrated Express-Select*
Digital Display	Yes
Door Latch/Stay-Put Door Hinge Design	Yes/Yes
Low Rinse-Aid Indicator Light	
Interior Design/Interior Colour	Tall Tub/GraniteGrey™
Wash System	OrbitClean™ Technology
Wash Levels/Wash Speeds	5/5
DishSense™ Technology	Yes
AquaSurge™ Technology	Yes
Sound Package	UltraQuiet™ Plus
Filter/Filter Trap	S. Steel/Removable
Soft Food Disposer	Yes
dB Level	53
Drying System	SaharaDry™
Cycles	
Number of Cycles	7
PowerPlus® (Heavy)	Yes
Normal	Yes
Light	
Quick	Yes
Favourite	Yes
China Crystal	
Rinse Only	Yes
Energy Saver Plus	Yes
Upper Rack Wash Only	Yes
Cycle Indicator Light/Control Lock	No/Yes
Options	
Heat/No Heat Dry	Yes/Yes
Hi-Temp Wash	Yes
NSF® Certified Sanitize Rinse	Yes
Delay Start	1-24 Hour
Rack System	
Rack Design	Premium
Rack Coating	Nylon TufRacks™
Upper Rack -	
Rack Handles	Yes
Stemware/Champagne Glass Holders	Yes
Fold-Down Tines	Yes
Cup Shelves/Clips	2/2
Versa-Tray™	Yes
Adjustable Rack	Yes
Lower Rack -	
SpaceWise® Silverware Basket	3-Piece Split
Fold-Down Tines	2 Full Rows
Small Items Cover	2
Certifications	
ENERGY STAR®	Yes
NSF® International Certification	Yes
Specifications	
Water Inlet Location	Left Bottom Front
Water Usage (Gallons)	4.9 - 8.5
Water Pressure (PSI)	20 - 120
Integral Air Gap on Supply	Yes
Leveling Legs	4
Power Supply Connection Location	Right Bottom Front
Voltage Rating	120V / 60 Hz / 15A
Connected Load (kW Rating) @ 120 Volts ¹	1.44
Amps @ 120 Volts	10
Shipping Weight (Approx.)	83

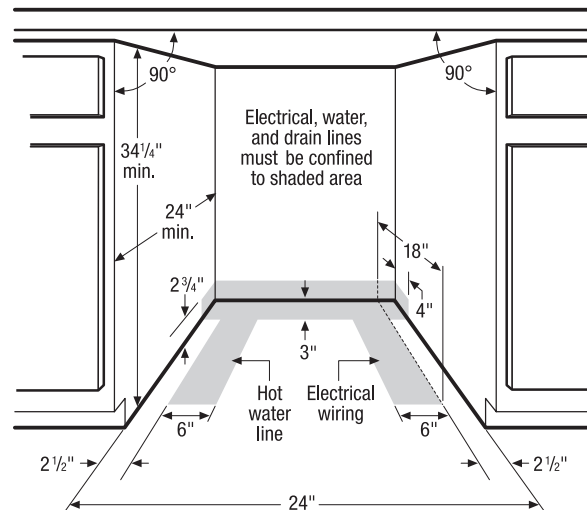
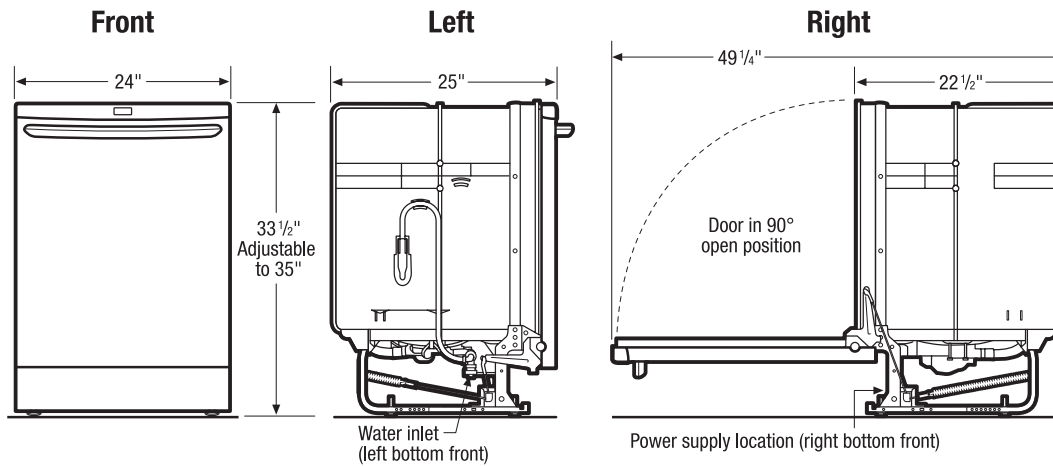
¹ For use on adequately wired 120V, dedicated circuit having 2-wire service with a separate ground wire. Appliance must be grounded for safe operation.



NOTE: For planning purposes only. Always consult local and national electric and plumbing codes. Refer to Product Installation Guide for detailed installation instructions on the web at frigidaire.ca.



Product Dimensions		Cutout Dimensions	
A - Height (Adjustable)	33-1/2" - 35"	Height (Min.)	34-1/4"
B - Width	24"	Height (Max.)	35-1/4"
C - Depth (Including Door)	25"	Width (Min.)	24"
D - Depth (To Tub Flange)	22-1/2"	Depth (Min.)	24"
Depth with Door Open 90°	49-1/4"		



Dishwasher Specifications

- Product Shipping Weight (approx.) - 83 Lbs.
- Voltage Rating - 120V/60 Hz/15 Amps (*maximum 20 Amps if connected with disposer*)
- Connected Load (kW Rating) @ 120 Volts = 1.44 kW (For use on adequately wired 120V, dedicated circuit having 2-wire service with a separate ground wire. Appliance must be grounded for safe operation.)
- Amps @ 120V = 10 Amps
- Always consult local and national electric & plumbing codes. Meets requirements of ASSE 1006 – integral air gap on supply.
- Water Pressure - Hot water line to dishwasher must provide between 20 and 120 pounds per square inch (psi).
- Make sure location has right drain, water and electrical outlets to make connections.

- Keep back free of drain, water & electrical supply.
- Electrical and water supplies should enter cabinet opening on floor, or through back or side walls, as shown in shaded areas.
- Connections preferably located toward left side of dishwasher. Do not cross drain, water or electrical lines in front of motor, blower or frame.
- When installing adjacent to wall, cabinet or other obstruction that extends beyond front edge of unit, allow 2" minimum clearance between opened door and obstruction.
- When installing at end of cabinet line, sides must be fully enclosed.
- Do not install unit under a cooktop, damage will occur.

Note: For planning purposes only. Refer to Product Installation Guide on the web at frigidaire.ca for detailed instructions.