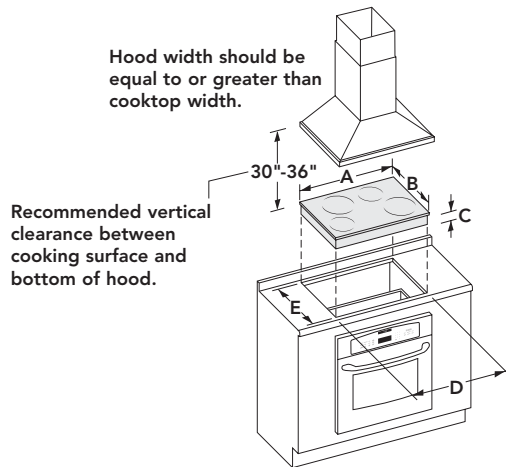


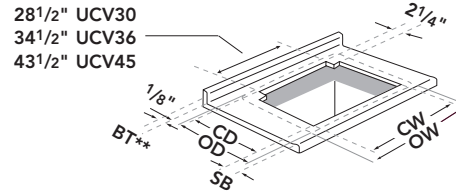
PLANNING GUIDE
ELECTRIC COOKTOPS

ELECTRIC COOKTOPS

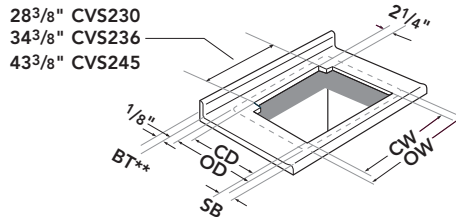
Ceramic Electric Cooktop with Cutout Shown with C301 Single Oven and HDW Chimney Hood



Countertop Cutout for Downdraft (UCV)



Countertop Cutout for Downdraft (CVS2)



Model No.	Overall Dimensions			Cutout Dimensions*		Element Wattage/Size (in mm.)				
	A	B	C	D	E	Front		Rear		
						Left	Right	Left	Middle	Right
Ceramic Electric Updraft Cooktops										
CEP304	31	21 ⁵ / ₈	35 ⁵ / ₈	28 ³ / ₄ - 28 ⁷ / ₈	19 ⁷ / ₈ - 20	1,200 140	1,200 140	750/2,200 120/210	N/A N/A	800/1,600/2,300 120/175/210
CET304	31	21 ⁵ / ₈	35 ⁵ / ₈	28 ³ / ₄ - 28 ⁷ / ₈	19 ⁷ / ₈ - 20	1,200 140	1,200 140	750/2,200 120/210	N/A N/A	800/1,600/2,300 120/175/210
CEF304	31	21 ⁵ / ₈	35 ⁵ / ₈	28 ³ / ₄ - 28 ⁷ / ₈	19 ⁷ / ₈ - 20	1,200 140	1,200 140	750/2,200 120/210	N/A N/A	800/1,600/2,300 120/175/210
CEM304	31	21 ⁵ / ₈	35 ⁵ / ₈	28 ³ / ₄ - 28 ⁷ / ₈	19 ⁷ / ₈ - 20	1,200 140	1,200 140	750/2,200 120/210	N/A N/A	750/2,200 120/210
CEP365	37	21 ⁵ / ₈	35 ⁵ / ₈	34 ³ / ₄ - 34 ⁷ / ₈	19 ⁷ / ₈ - 20	1,200 140	1,800/Bridge 180	750/2,200 120/210	800/1,600/2,500 120/180/230	1,800/Bridge 180
CET365	37	21 ⁵ / ₈	35 ⁵ / ₈	34 ³ / ₄ - 34 ⁷ / ₈	19 ⁷ / ₈ - 20	1,200 140	1,800/Bridge 180	750/2,200 120/210	800/1,600/2,500 120/180/230	1,800/Bridge 180
CEF365	37	21 ⁵ / ₈	35 ⁵ / ₈	34 ³ / ₄ - 34 ⁷ / ₈	19 ⁷ / ₈ - 20	1,200 140	1,800/Bridge 180	750/2,200 120/210	800/1,600/2,500 120/180/230	1,800/Bridge 180
CEM365	37	21 ⁵ / ₈	35 ⁵ / ₈	34 ³ / ₄ - 34 ⁷ / ₈	19 ⁷ / ₈ - 20	1,200 140	1,800/Bridge 180	750/2,200 120/210	1,100/2,500 140/230	1,800/Bridge 180
CEP456	46	21 ⁵ / ₈	35 ⁵ / ₈	43 ³ / ₄ - 43 ⁷ / ₈	19 ⁷ / ₈ - 20	800/1,900 120/195	1,800/Bridge 180	1,200 140	800/1,600/2,500 1,100/2,500 140/230	1,800/Bridge 180
CEM456	46	21 ⁵ / ₈	35 ⁵ / ₈	43 ³ / ₄ - 43 ⁷ / ₈	19 ⁷ / ₈ - 20	800/1,900 120/195	1,800/Bridge 180	1,200 140	1,100/2,500 1,100/2,500 140/230	1,800/Bridge 180

Model No.	CW Cutout Width		CD Cutout Depth		OW Overall Width		OD Overall Depth		SB Min. Set Back	
	CVS2	UCV	CVS2	UCV	CVS2	UCV	CVS2	UCV	CVS2	UCV
CEP304	28 ³ / ₄	28 ³ / ₄	22 ¹ / ₈	22 ¹ / ₈	31	31	23 ⁷ / ₈	23 ⁷ / ₈	2 ¹ / ₂	2 ¹ / ₂
CET304	28 ³ / ₄	28 ³ / ₄	22 ¹ / ₈	22 ¹ / ₈	31	31	23 ⁷ / ₈	23 ⁷ / ₈	2 ¹ / ₂	2 ¹ / ₂
CEF304	28 ³ / ₄	28 ³ / ₄	22 ¹ / ₈	22 ¹ / ₈	31	31	23 ⁷ / ₈	23 ⁷ / ₈	2 ¹ / ₂	2 ¹ / ₂
CEM304	28 ³ / ₄	28 ³ / ₄	22 ¹ / ₈	22 ¹ / ₈	31	31	23 ⁷ / ₈	23 ⁷ / ₈	2 ¹ / ₂	2 ¹ / ₂
CEP365	34 ³ / ₄	34 ³ / ₄	22 ¹ / ₈	22 ¹ / ₈	37	37	23 ⁷ / ₈	23 ⁷ / ₈	2 ¹ / ₂	2 ¹ / ₂
CET365	34 ³ / ₄	34 ³ / ₄	22 ¹ / ₈	22 ¹ / ₈	37	37	23 ⁷ / ₈	23 ⁷ / ₈	2 ¹ / ₂	2 ¹ / ₂
CEF365	34 ³ / ₄	34 ³ / ₄	22 ¹ / ₈	22 ¹ / ₈	37	37	23 ⁷ / ₈	23 ⁷ / ₈	2 ¹ / ₂	2 ¹ / ₂
CEM365	34 ³ / ₄	34 ³ / ₄	22 ¹ / ₈	22 ¹ / ₈	37	37	23 ⁷ / ₈	23 ⁷ / ₈	2 ¹ / ₂	2 ¹ / ₂
CEP456	43 ³ / ₄	43 ³ / ₄	22 ¹ / ₈	22 ¹ / ₈	46	46	23 ⁷ / ₈	23 ⁷ / ₈	2 ¹ / ₂	2 ¹ / ₂
CEM456	43 ³ / ₄	43 ³ / ₄	22 ¹ / ₈	22 ¹ / ₈	46	46	23 ⁷ / ₈	23 ⁷ / ₈	2 ¹ / ₂	2 ¹ / ₂

ELECTRIC COOKTOPS

General Information

MODEL NUMBER	CEP30 CET30 CEF30	CEM30	CEP36 CET36 CEF36	CEM36	CEP45	CEM45
208-240 Volts, 3 Wire, 60 Hz		■		■		■
208-240 Volts, 4 Wire, 60 Hz	■		■		■	
Amps	30	30	40	40	40	50
Approx. Shipping Weight (lbs.)	35	35	45	45	45	55

Notes: All height, width and depth dimensions are shown in inches. *Please refer to installation instructions prior to making cutout. Installation instructions are available at www.thermador.com. Countertop must be 26" wide overall for best fit. When the under cabinet measures 24" front to back (outside dimensions), it must be positioned so the counter top has a 1" overhang. The countertop must have a 25" flat area so no problems can occur with a backsplash. Important to measure it from the front edge of the countertop. All cutouts start at 2¹/₂" from the front edge of the countertop.***BT" (Backsplash Thickness) = 0



Cooktops are UL and CUL approved with the exception of the CEM365, CEM456 and CEP456, which are UL approved only.

For immediate critical installation dimensions by fax, use your fax handset and call (775) 833-3600. Use code #8030 for a directory of Thermador® products.