

Built-In Combination Ovens



Stainless Steel
KEMS309BSS

Even-Heat™ Technology

Even-Heat™ Technology features advanced heating technologies to evenly disperse heat inside the oven. During Even-Heat™ Preheat, the entire oven heats to the correct temperature. And true convection circulates heated air over, under, and around all three racks for perfectly baked centers with no burnt edges.

Industry's Largest Oven Window (Lower Oven)

KitchenAid® ovens allow you to clearly see all racks from edge to edge without opening the oven door. Keeping the door closed helps to minimize temperature swings and promotes even baking.



FOR THE WAY IT'S MADE.®

Preliminary

Architect® Series II

KEMS309B – 30-Inch

KEMS379B – 27-Inch

Lower Oven Capacity

- 5.0 Cu. Ft. – 30-Inch (KEMS309B)
- 4.3 Cu. Ft. – 27-Inch (KEMS379B)

Microwave Oven Features

- 1.4 Cu. Ft. Capacity
- 900 Watts
- Crispwave™ Technology and Crisper Pan
- Microwave Convection Cooking
- Drop-Down Door
- Stainless Steel Cavity
- Soften and Melt Cycles
- Sensor Steam Cook Cycle with Steam Container

Lower Oven Features

- Even-Heat™ Technology
 - Even-Heat™ Preheat
 - Even-Heat™ True Convection System
- EasyConvect™ Conversion System
- 4000W 8-Pass Broil Element
- True-Broil® Reflector
- Self-Cleaning System with Soil Level/Time Selection
- Temperature Probe
- Bread Proofing
- Sabbath Mode
- Star-K Certified
- CleanBake™ Hidden Element (2800W)
- 2 Heavy-Duty Oven Racks
- SatinGlide™ Roll-Out Extension Rack with Handle
- 2 Halogen Oven Lights
- Architect® Series II Handle
- ClearVue™ Large Viewing Window
- Full-Width Glass Inner Door
- Blue-Enameled Cavity

Craftsmanship Features

- Glass-Touch Display with Control Lock Function
- Frameless Design

Colors

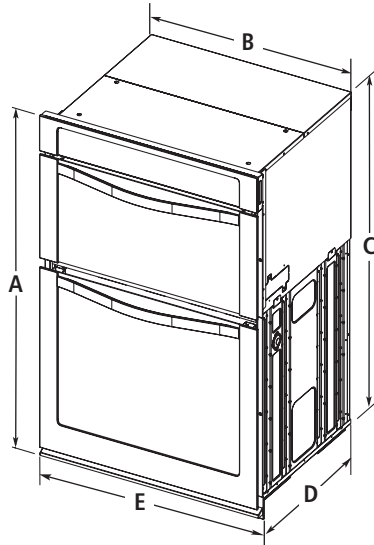
- White (WH)
- Black (BL)
- Stainless Steel (SS)

Built-In Combination Ovens

KEMS309B, KEMS379B

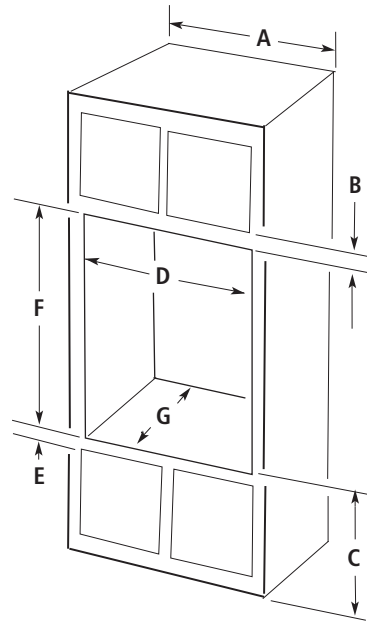
Preliminary

PRODUCT DIMENSIONS



- A. 42⁹/₁₆" overall height
- B. KEMS309B: 28¹/₂" recessed width
KEMS379B: 25⁷/₁₆" recessed width
- C. 41" recessed height
- D. 23¹/₄" max. recessed depth
- E. KEMS309B: 30" overall width
KEMS379B: 27" overall width

CUTOUT DIMENSIONS



- A. KEMS309B: 30" min. cabinet width
KEMS379B: 27" min. cabinet width
- B. 1" top of cutout to bottom of upper cabinet door
- C. 19¹/₄" bottom of cutout to floor is recommended
4"-19¹/₄" bottom of cutout to floor is acceptable
- D. KEMS309B: 28¹/₂" cutout width
KEMS379B: 25¹/₂" cutout width
- E. 1¹/₂" min. bottom of cutout to top of cabinet door
- F. 41⁵/₁₆" recommended cutout height (41" min. – 41¹/₂" max.)
- G. 24" cutout depth

LOCATION REQUIREMENTS

Electrical supply junction box should be located 3" maximum below the support surface when the oven is installed in a wall cabinet. A 1" minimum diameter hole should have been drilled in the right rear or left rear corner of the support surface to pass the appliance cable through to the junction box.

Dimensions are for planning purposes only. For complete details, see Installation Instructions packed with product. Specifications subject to change without notice.

For additional information about KitchenAid® appliances, visit KitchenAid.com or call the Customer Experience Center at 800-422-1230. We'll help you select the ideal model and answer questions about appliance operation and performance.

KitchenAid®
FOR THE WAY IT'S MADE.®

®Registered trademark/™Trademark/the shape of the stand mixer is a registered trademark of KitchenAid, U.S.A.

©2012. All rights reserved.

KitchenAid • Benton Harbor, Michigan 49022 U.S.A.

