

# Installation Operation and Maintenance Instructions

Beverage and Wine  
Refrigerator  
Luxury Series

3BARM  
6BARM  
6OBARM



# TABLE OF CONTENTS

---

Unpacking your refrigerator.....	2
Removing the packaging.....	2
Warranty Registration.....	2
Installing your refrigerator.....	3
Selecting the location.....	3
Outdoor installation.....	3
Cabinet Clearances.....	3
Leveling legs.....	3
Grounding method.....	3
Electrical Requirements.....	3
Using Your MicroSentry™ Control.....	4
Dimensions for 3BARM glass door.....	6
Recommended Rough in Opening Dimensions for 3BARM glass door.....	6
Dimensions for 3BARM glass overlay door.....	7
Recommended Rough in Opening Dimensions for 3BARM glass overlay door.....	7
Dimensions for 3BARM solid overlay door.....	8
Recommended Rough in Opening Dimensions for 3BARM solid overlay door.....	8
Dimensions for 6BARM glass door.....	9
Recommended Rough in Opening Dimensions for 6BARM glass door.....	9
Dimensions for 6BARM glass overlay door.....	10
Recommended Rough in Opening Dimensions for 6BARM glass overlay door.....	10
Dimensions for 6BARM solid overlay door.....	11
Recommended Rough in Opening Dimensions for 6BARM solid overlay door.....	11
Dimensions for 6OBARM solid door.....	12
Recommended Rough in Opening Dimensions for 6OBARM solid door.....	12
Full Overlay Panel Installation Instructions.....	13
3BARM Features.....	16
6BARM and 6OBARM Features.....	17
Care and Cleaning.....	18
Cleaning condenser air flow.....	18
Cleaning the cabinet.....	18
Cleaning the interior.....	18
Cleaning the shelves.....	18
Cleaning the door gasket.....	18
Replacing the light bulb.....	18
Troubleshooting Guide.....	19
Obtaining Service.....	20
Household Product Warranty.....	21
Appendix A additional MicroSentry™ features.....	22

# UNPACKING YOUR BEVERAGE AND WINE REFRIGERATOR

---

## Important Safety Instructions

Warnings and safety instructions appearing in this guide are not meant to cover all possible conditions and situations that may occur. Common sense, caution, and care must be exercised when installing, maintaining, or operating this appliance.

## Recognize Safety Symbols, Words, and Labels.

### CAUTION

**CAUTION**-Hazards or unsafe practices which could result in personal injury or property or product damage.

### WARNING

**WARNING**-Hazards or unsafe practices which could result in personal injury.

### NOTE

**NOTE**-Important information to make a problem free installation.

## Remove Packaging

Your refrigerator has been packed for shipment with all parts that could be damaged by movement securely fastened. Cut the banding material at the bottom of the carton, unfold the cartoning at the bottom and remove the carton from the appliance. Remove the plastic bag, styrofoam corner posts and any tape holding the door closed and internal components in place.

The owners manual is shipped inside the refrigerator in a plastic bag along with the warranty registration card.

## Important

Keep your carton packaging until your refrigerator has been thoroughly inspected and found to be in good condition. If there is damage, the packaging will be needed as proof of damage in transit. Afterwards please dispose of all items responsibly in particular the plastic bags which can be a suffocation hazard.

## Note to Customer

This merchandise was carefully packed and thoroughly inspected before leaving our plant. Responsibility for its safe delivery was assumed by the retailer upon acceptance of the shipment. Claims for loss or damage sustained in transit must be made to the retailer.

DO NOT RETURN DAMAGED MERCHANDISE TO THE MANUFACTURER - FILE THE CLAIM WITH THE RETAILER.

### CAUTION

If the unit was shipped or has been laying on its back for any period of time allow the refrigerator to sit upright for a period of at least 24 hours before plugging in. This will assure oil returns to the compressor. Plugging the refrigerator in immediately may cause damage to internal parts.

## Warranty Registration

It is important you send in your warranty registration card immediately after taking delivery of your refrigerator or you can register online at [www.marvelrefrigeration.com](http://www.marvelrefrigeration.com).

The following information will be required when registering your unit.

Model Number  
Serial Number  
Date of Purchase  
Dealers name and address

The model number and serial number can be found on the serial plate which is located inside the refrigerator on the left side toward the top of the liner.

### CAUTION

## Help Prevent Tragedies

Child entrapment and suffocation are not problems of the past. Junked or abandoned refrigerators are still dangerous - even if they sit out for "just a few days".

If you are getting rid of your old refrigerator, please follow the instructions below to help prevent accidents.

Before you throw away your old refrigerator or freezer:

- Take off the doors or remove the drawers.
- Leave the shelves in place so children may not easily climb inside.

# INSTALLING YOUR BEVERAGE AND WINE REFRIGERATOR

## Select Location

The proper location will ensure peak performance of your appliance. We recommend a location where the unit will be out of direct sunlight and away from heat sources. To assure your product performs to specifications the recommended installation location temperature range is from 65 to 80°F (18 to 27°C) for indoor built in units, 65 to 90°F (18 to 32°C) for indoor freestanding units, and 40 to 100°F (4 to 38°C) for outdoor units.

## Outdoor Installation

Only the 6OBARM model is suitable for outdoor installations. A ground fault circuit interrupter electrical receptacle is to be used to supply electrical power to the refrigerator for outdoor applications. Contact an electrician if you need to install one to supply electrical power to your outdoor refrigerator. Do not install in an environment where the unit will be exposed to direct sun exposure as this may result in unsatisfactory performance.

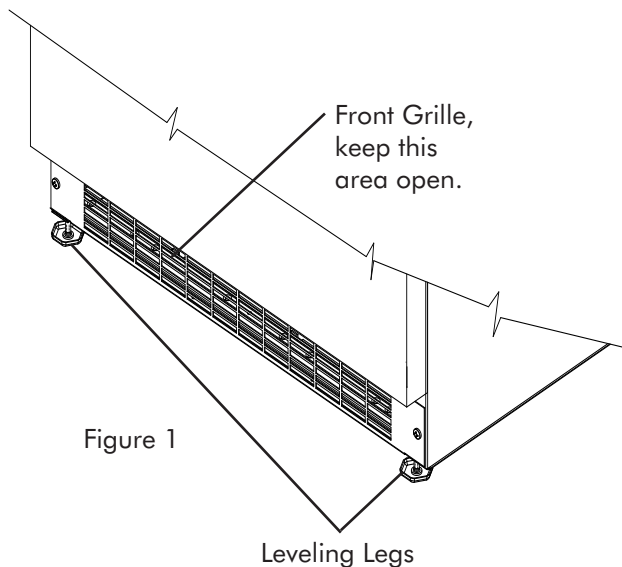
## Cabinet Clearance

Ventilation is required from the bottom front section of the unit. Keep this area open and clear of any obstructions. Adjacent cabinets and counter top can be installed around the unit as long as the grille and door access remain unobstructed.

## ⚠ CAUTION

### Front Grille

Do not obstruct the front grille. The openings within the front grille provide air to flow into and exit from the refrigerator condenser. For this reason it is important this area to not be obstructed and be kept clean. Marvel does not recommend the use of custom made grilles as air flow may be restricted because of inadequate openings. (See Figure 1).



## Leveling Legs

Adjustable legs at the front and rear corners of the unit should be set so the unit is firmly positioned on the floor and level from side to side and front to back. Turn leveling legs clockwise to raise unit, counterclockwise to lower it. (See Figure 1).

## ⚠ CAUTION

- Do not splash or spray water from a hose on the refrigerator. Doing so may cause an electrical shock, which may result in severe injury or death.
- This unit should not, under any circumstances, be ungrounded.

## Grounding Method

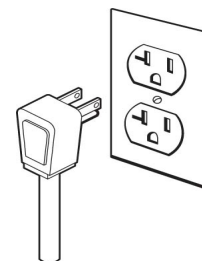
This product is factory equipped with a power supply cord that has a three-pronged, grounded plug. It must be plugged into a mating grounding type receptacle in accordance with the National Electrical Code and applicable local codes and ordinances (see Figure 2). If the circuit does not have a grounding type receptacle, it is the responsibility and obligation of the customer to exchange the existing receptacle in accordance with the National Electrical Code and applicable local codes and ordinances. The third ground prong should not, under any circumstances, be cut or removed.

## Electrical Connection

115 volts, 3.3 amps running max. 15 amp dedicated circuit required. 3 prong grounded receptacle required.

## ⚠ CAUTION

Do not use an extension cord with this appliance.



# USING YOUR MicroSentry™ REFRIGERATOR CONTROL

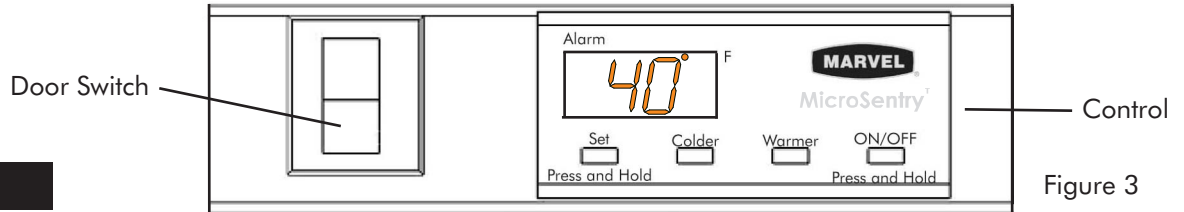


Figure 3

## NOTE

During initial startup, or anytime power is interrupted, there will be an approximate 5 minute delay before the refrigerator starts. During this period the controller will be assessing the temperature in the refrigerator and the display will appear erratic, this is normal. The desired temperature set point can be programmed during this start up period.

### Starting your refrigerator

The refrigerator will begin start up when initially plugged in or when power resumes after a power outage. At this time the refrigerator will take approximately 5 minutes to begin running as noted above. If the refrigerator has been turned off during use, "OFF" will appear on the display. To start the refrigerator from the "OFF" position press and hold the ON/OFF button for three seconds.

### Set temperature

To set temperature set point, press and continue to hold "SET" button. After one second, set point will be displayed. While holding "SET" button use the "WARMER" or "COLDER" button to desired set point.

NOTE: Momentarily pressing & releasing "SET" button will access information menu of control. Refer to appendix A for information on this feature.

### Refrigerator operation

The available temperature range of the 3BARM refrigerator is 40° to 65° F (4° to 18° C). The available temperature range for the 6BARM and 6OBARM refrigerators is 39° to 65°F (4° to 18°C).

It may take up to 24 hours for your refrigerator to reach desired temperature. This will depend on amount of contents loaded and number of openings and closings of the door.

For best results allow refrigerator to "pull down" to desired set point before loading. Once contents are loaded, allow at least 48 hours for temperature to stabilize before making any adjustments to the set point.

### Alarms

Your MicroSentry™ refrigerator control will monitor refrigerator function and alert you with a series of audible and visual alarms.



- **Door Ajar Alarm:** If the door has been left open for over five (5) minutes, the alarm will sound in one (1) second intervals. The display panel will flash "do" and the LED light will be a

steady amber color. This will stop as soon as the door is closed.



- **High and Low Temperature Alarm:** If your unit reaches an unacceptable temperature outside of your set point, the alarm will sound in one (1) second intervals. The display panel will flash either "hi" or "Lo" depending upon the condition and the LED light will be a steady amber color. "hi" indicates that the temperature is 10° F (5.5°C) above the set point and "Lo" indicates that the temperature is 10° F (5.5°C) below the set point. The alarm will remain active until the condition is corrected.

NOTE: During initial appliance start-up, the high temperature alarm may sound until the interior temperature reaches set point.




- **Temperature Sensor Fault:** If the controller detects that the temperature sensor is not properly functioning, a temperature sensor alarm will sound. "E1" will flash on the display, and an alarm will sound. Please call Marvel Customer Service or your dealer if this error code is displayed.



- **Condenser Needs Cleaning:** When the refrigerator has reached the recommended amount of run time to necessitate cleaning the air flow, "cl" will flash on the display as a reminder. See the "Care and Cleaning" section for cleaning instructions.

To clear the alarm:

- 1) Press and release the "SET" button four times.

"cnd"  will be displayed on the screen.

- 2) While "cnd" is displayed, press and hold the "SET" button. The display will show the number of weeks the refrigerator has been running.
- 3) While holding the "SET" button, press and release the ON/OFF button. The number shown on the display will reset to 0.
- 4) Release the "SET" key.

### Alarm Mute

Press any key to mute the audible portion of an alarm,.

NOTE-This action will only mute the alarm. If the condition

## USING YOUR MicroSentry™ REFRIGERATOR CONTROL

---

that caused the alarm continues, the alarm code will continue to flash and will sound for 20 seconds every 60 minutes.

### Turning Refrigerator Off

To turn refrigerator off, press and hold "ON/OFF" button

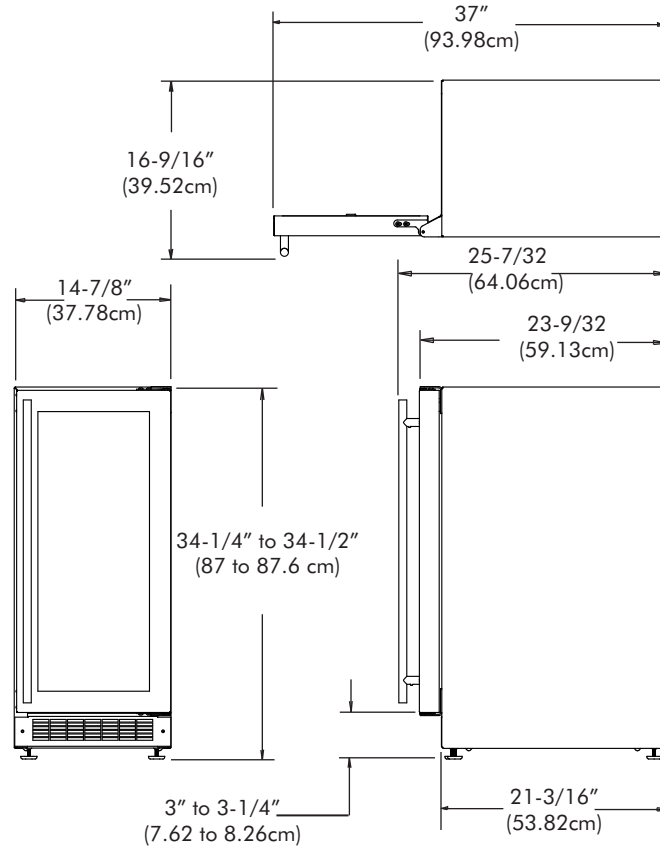
for three (3) seconds. "OFF" will appear on the display



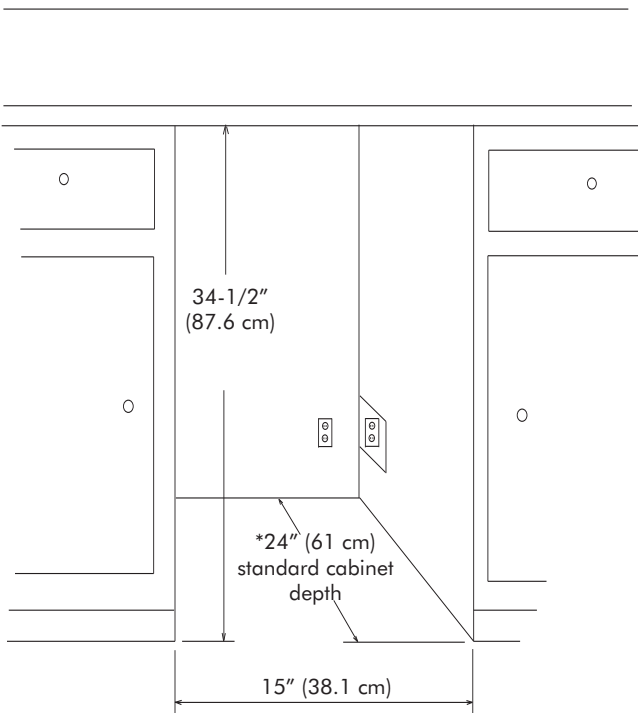
### Additional MicroSentry™ Features

Refer to Appendix A for details on additional features available.

## DIMENSIONS FOR 3BARM GLASS DOOR



**Rough In Opening Dimensions, for 3BARM Glass Door**



**⚠ CAUTION**

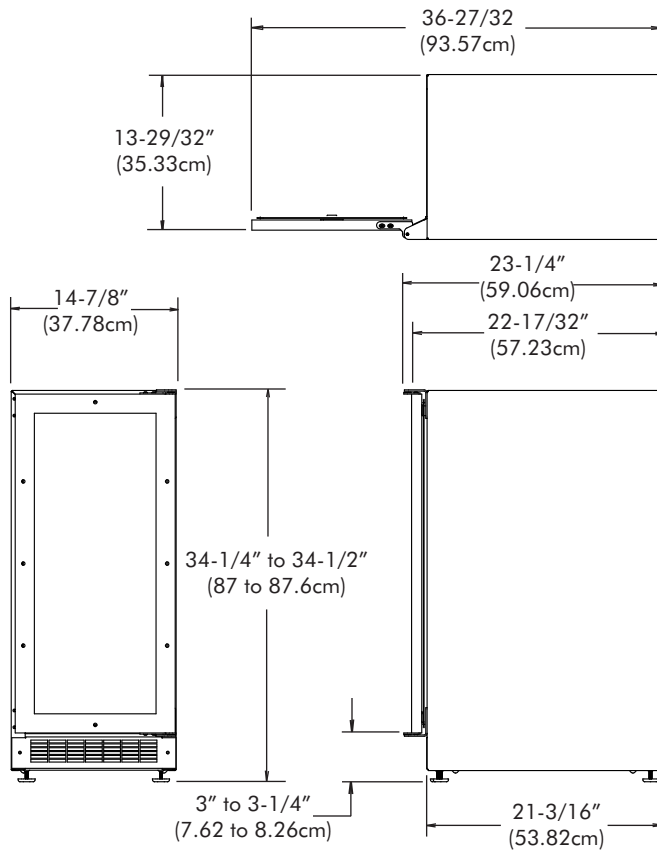
Electrical Requirements: 115 volts, 3.3 amps running max. 15 amp dedicated circuit required. 3 prong grounded receptacle required.

Power outlet can be located in the back wall behind unit. Add 1" to depth for thickness of plug, or recess outlet 1" into the wall. Power outlet can also be installed in adjacent cabinetry with a cutout for routing of power cord. Follow all local building codes when installing electrical and unit.

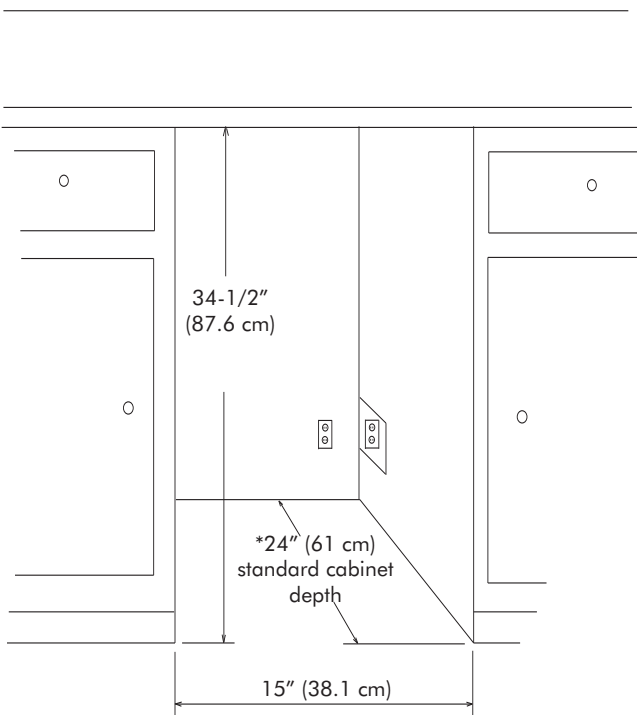
Product weight = 100 lbs. (45.5 kg.)

\* Depth dimension may vary depending on each individual installation.

# DIMENSIONS FOR 3BARM GLASS OVERLAY DOOR



## Rough In Opening Dimensions for 3BARM Glass Overlay Door



### **⚠ CAUTION**

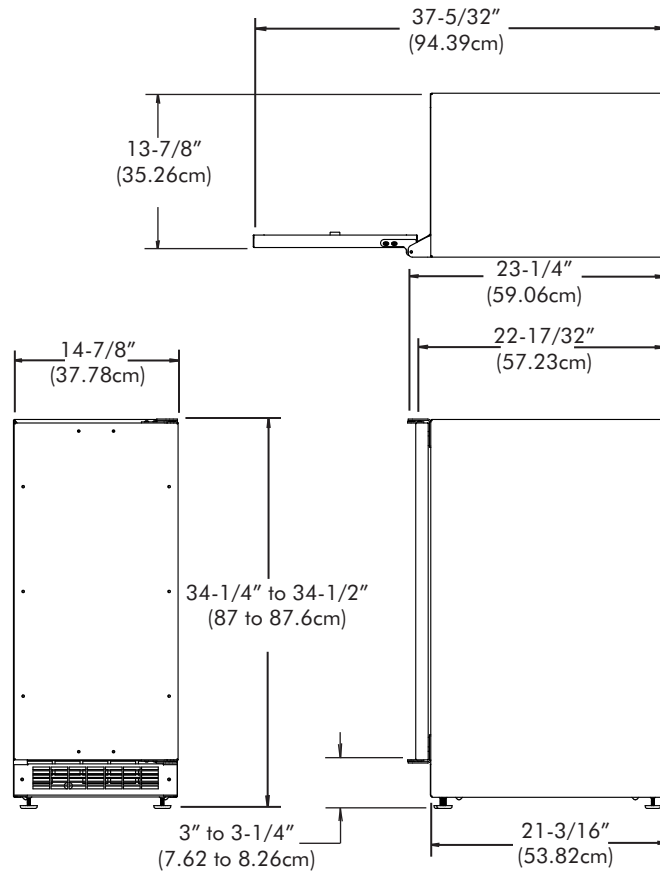
Electrical Requirements: 115 volts, 3.3 amps running max. 15 amp dedicated circuit required. 3 prong grounded receptacle required.

Power outlet can be located in the back wall behind unit. Add 1" to depth for thickness of plug, or recess outlet 1" into the wall. Power outlet can also be installed in adjacent cabinetry with a cutout for routing of power cord. Follow all local building codes when installing electrical and unit.  
Product weight = 100 lbs. (45.5 kg.)

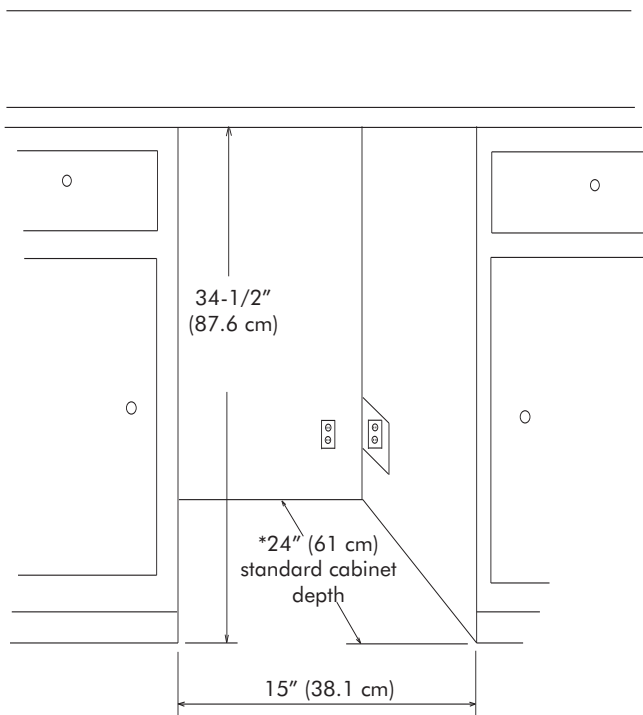
\* Depth dimension may vary depending on each individual installation.



# DIMENSIONS FOR 3BARM SOLID OVERLAY DOOR



**Rough In Opening Dimensions for 3BARM Solid Overlay Door**



## **⚠ CAUTION**

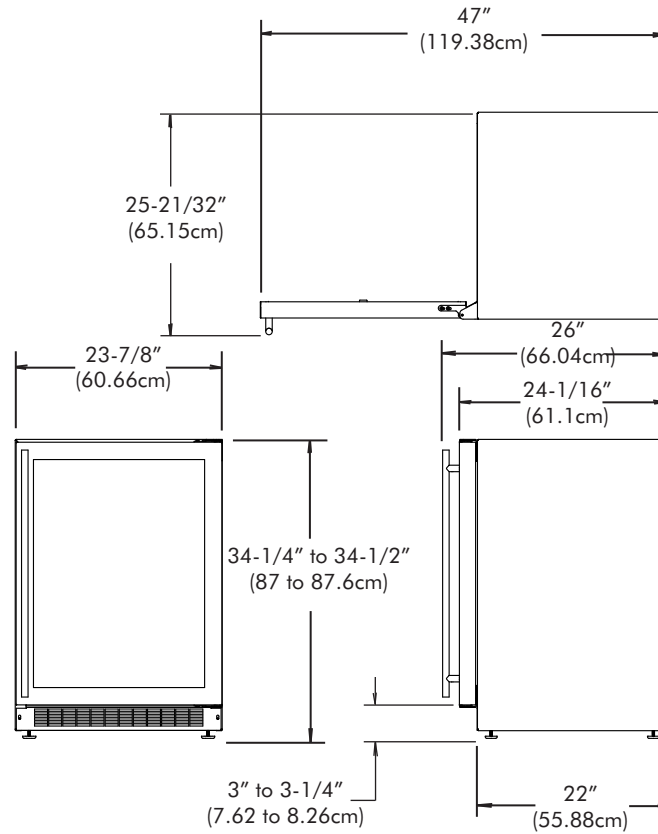
Electrical Requirements: 115 volts, 3.3 amps running max. 15 amp dedicated circuit required. 3 prong grounded receptacle required.

Power outlet can be located in the back wall behind unit. Add 1" to depth for thickness of plug, or recess outlet 1" into the wall. Power outlet can also be installed in adjacent cabinetry with a cutout for routing of power cord. Follow all local building codes when installing electrical and unit.

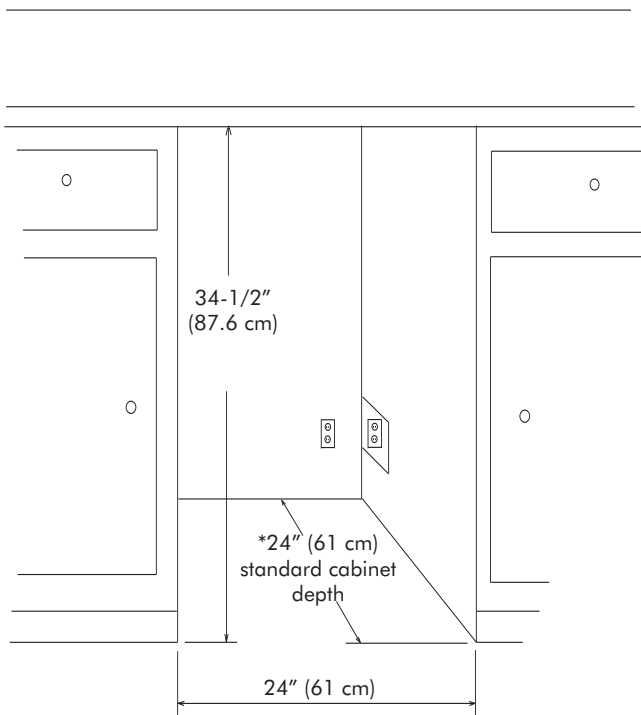
Product weight = 100 lbs. (45.5 kg.)

\* Depth dimension may vary depending on each individual installation.

## DIMENSIONS FOR 6BARM GLASS DOOR



## Rough In Opening Dimensions for 6BARM Glass Door



### ⚠ CAUTION

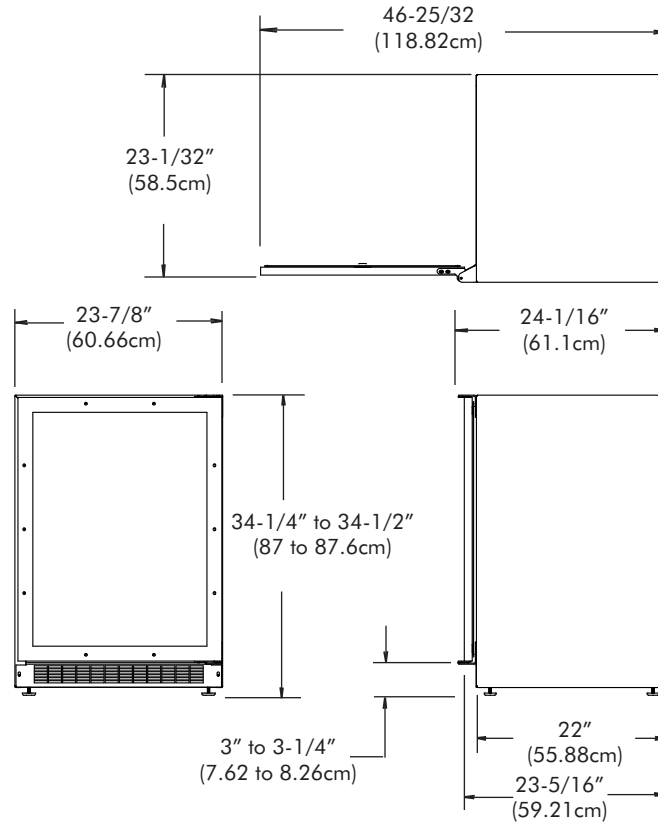
Electrical Requirements: 115 volts, 3.3 amps running max. 15 amp dedicated circuit required. 3 prong grounded receptacle required.

Power outlet can be located in the back wall behind unit. Add 1" to depth for thickness of plug, or recess outlet 1" into the wall. Power outlet can also be installed in adjacent cabinetry with a cutout for routing of power cord. Follow all local building codes when installing electrical and unit.

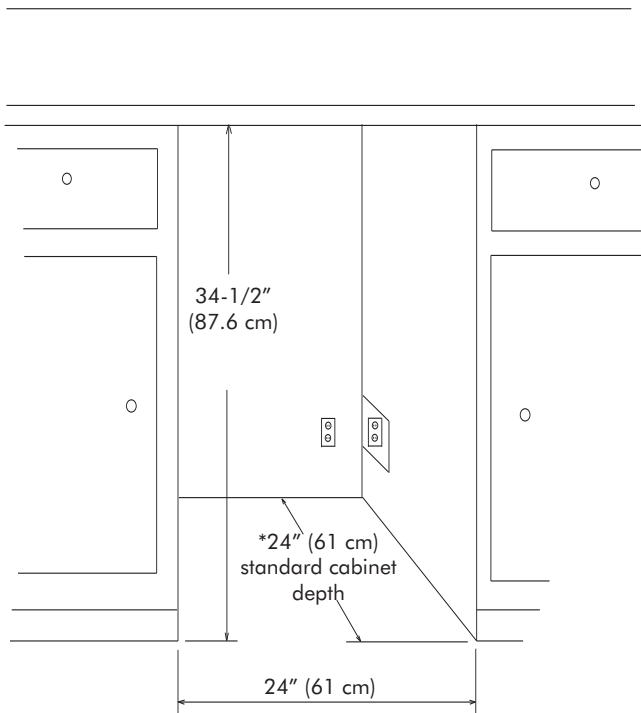
Product weight = 130 lbs. (59.1 kg.)

\* Depth dimension may vary depending on each individual installation.

## DIMENSIONS FOR 6BARM GLASS OVERLAY DOOR



**Rough In Opening Dimensions for 6BARM Glass Overlay Door**



### **⚠ CAUTION**

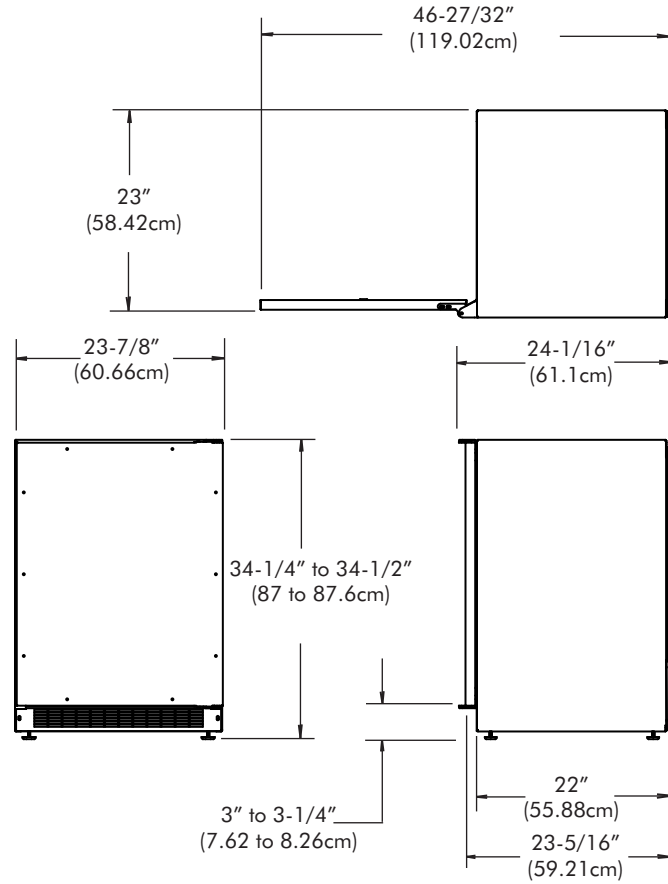
Electrical Requirements: 115 volts, 3.3 amps running max. 15 amp dedicated circuit required. 3 prong grounded receptacle required.

Power outlet can be located in the back wall behind unit. Add 1" to depth for thickness of plug, or recess outlet 1" into the wall. Power outlet can also be installed in adjacent cabinetry with a cutout for routing of power cord. Follow all local building codes when installing electrical and unit.

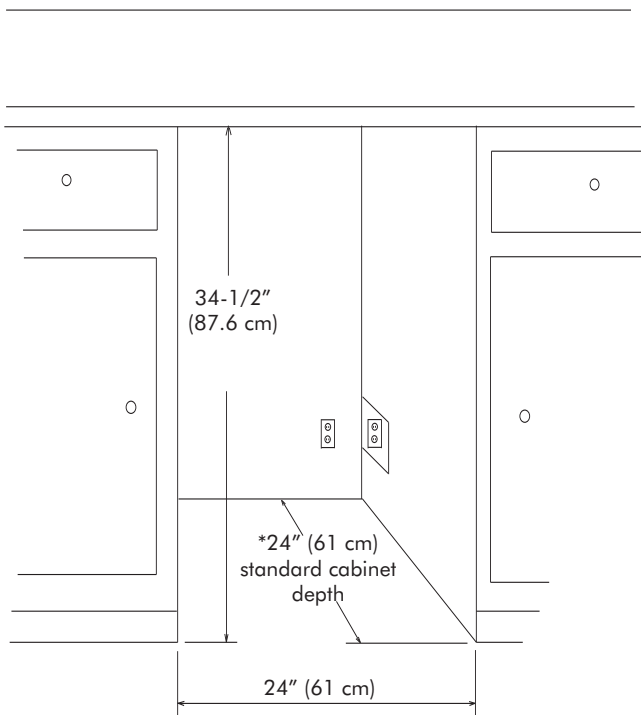
Product weight = 130 lbs. (59.1 kg.)

\* Depth dimension may vary depending on each individual installation.

# DIMENSIONS FOR 6BARM SOLID OVERLAY DOOR



## Rough In Opening Dimensions for 6BARM Solid Overlay Door



### **CAUTION**

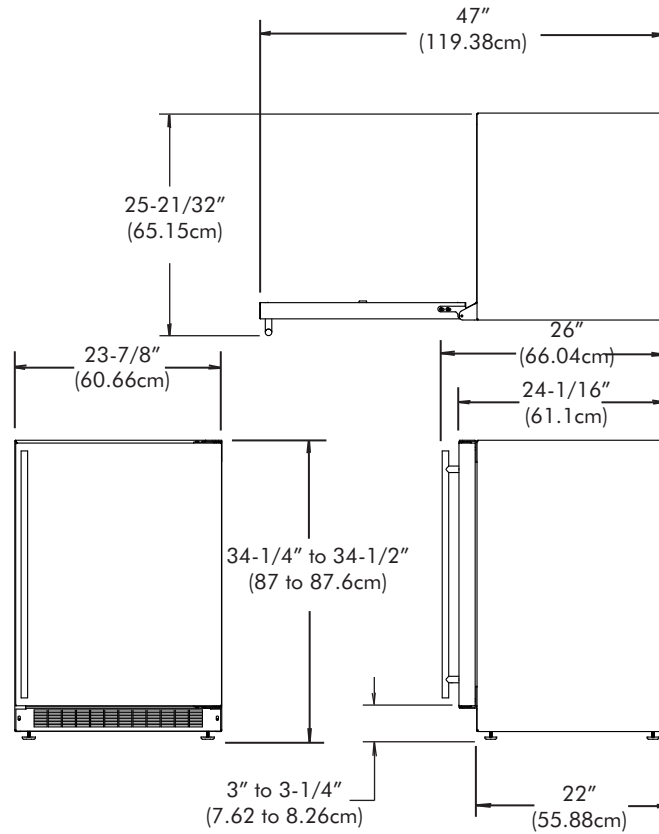
Electrical Requirements: 115 volts, 3.3 amps running max. 15 amp dedicated circuit required. 3 prong grounded receptacle required.

Power outlet can be located in the back wall behind unit. Add 1" to depth for thickness of plug, or recess outlet 1" into the wall. Power outlet can also be installed in adjacent cabinetry with a cutout for routing of power cord. Follow all local building codes when installing electrical and unit.

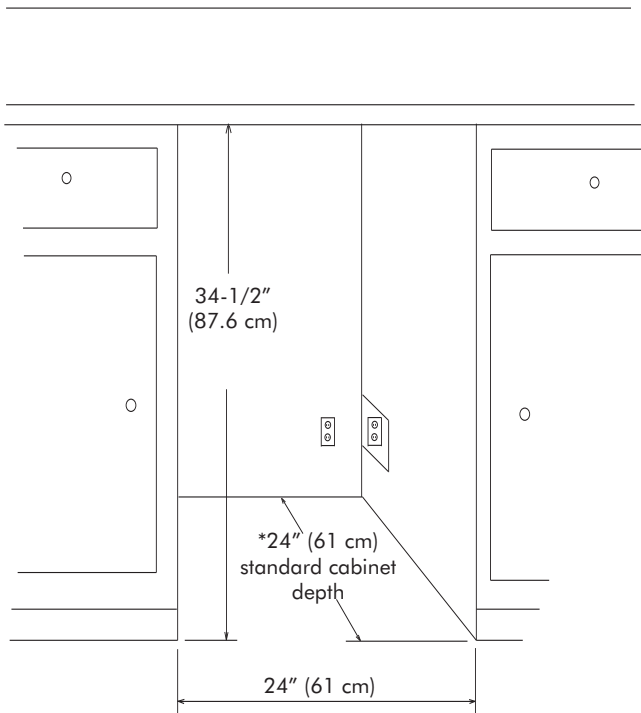
Product weight = 130 lbs. (59.1 kg.)

\* Depth dimension may vary depending on each individual installation.

## DIMENSIONS FOR 6OBARM SOLID DOOR



### Rough In Opening Dimensions for 6OBARM Solid Door



#### **⚠ CAUTION**

Electrical Requirements: 115 volts, 3.3 amps running max. 15 amp dedicated circuit required. 3 prong grounded receptacle required.

Power outlet can be located in the back wall behind unit. Add 1" to depth for thickness of plug, or recess outlet 1" into the wall. Power outlet can also be installed in adjacent cabinetry with a cutout for routing of power cord. Follow all local building codes when installing electrical and unit.

Product weight = 130 lbs. (59.1 kg.)

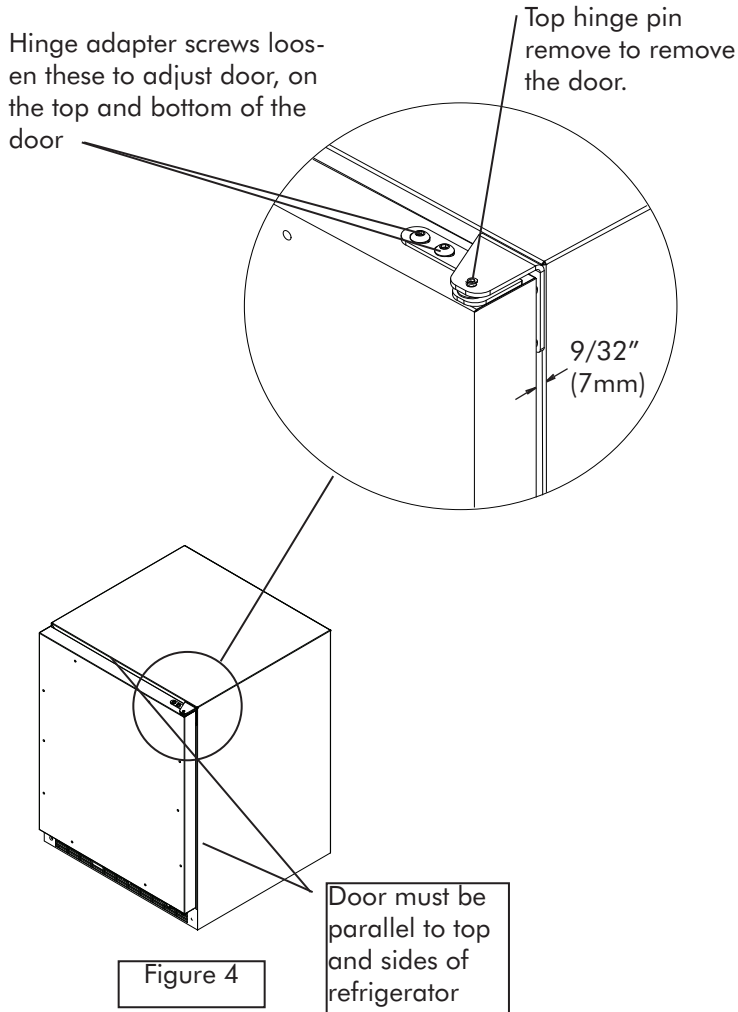
\* Depth dimension may vary depending on each individual installation.

# FULL OVERLAY PANEL INSTALLATION INSTRUCTIONS

## **⚠ CAUTION**

### Step 1: Verify door alignment

The door should be parallel to the sides and top of the refrigerator. If alignment is necessary the door may be adjusted by loosening the 2 screws which secure the hinge adapter brackets to the door and adjusting the door side to side. Use a 5/32" allen wrench for this procedure. (See Figure 4 below).



### Step 4: Cut overlay panel

Depending on the refrigerator model cut the overlay panel to the dimensions shown. Use Figure 5 and Table A for solid door models or use Figure 6 and Table B for glass door models.

## **NOTE**

For overlay with lock option panel thickness to be 3/4" (19mm) maximum to 5/8" (16mm) minimum.

## **⚠ CAUTION**

Weight of the overlay panel should not exceed 20 pounds (9.1 kilograms).

## **NOTE**

For the door closer to work properly it is necessary to maintain a minimum space of 9/32" (7mm) between the door and cabinet flange as shown. This space can be adjusted by adjusting the top and bottom hinge adapters.

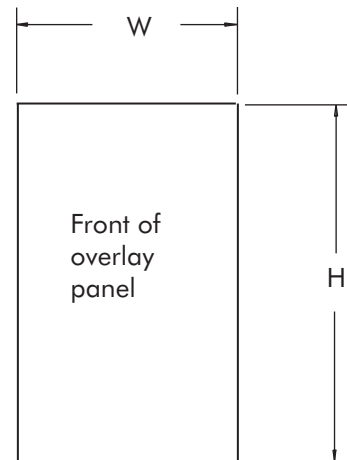


Figure 5  
Solid Door Models

Model	W	H
3BARM	14-5/8" (37.13cm)	30-5/16" (76.99cm)
6BARM	23-5/8" (59.99cm)	30-5/16" (76.99cm)

Table A  
Solid Door Models

### Step 2: Remove door

Remove the top hinge pin from the hinge with an 1/8" allen wrench. Remove the door by angling the top of the door outward and lifting the door off the bottom hinge. (See detail in Figure 4).

### Step 3: Remove gasket

Lay the door on its front being careful not to scratch it. Remove the door gasket by peeling up and out of the channel.

# FULL OVERLAY PANEL INSTALLATION INSTRUCTIONS

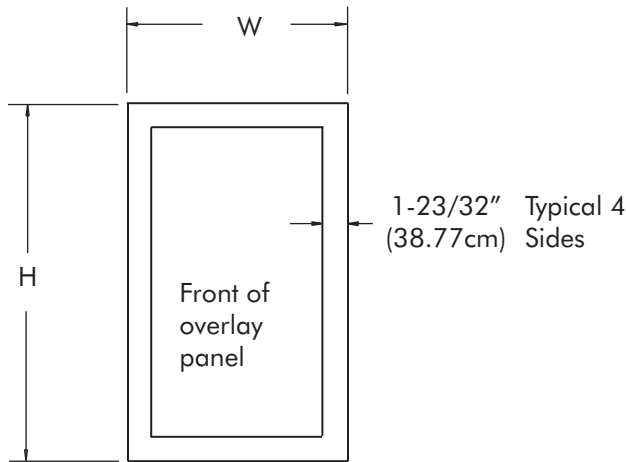


Figure 6  
Glass Door Models

Model	W	H
3BARM	14-5/16" (36.35cm)	30-5/16" (76.99cm)
6BARM	23-7/16" (59.54cm)	30-5/16" (76.99cm)

Table B  
Glass Door Models

Material Type	#8 Wood Screw
Hardwood	3/32" (2.4mm) Diameter. Pilot Hole
Softwood	5/64 (2.0mm) Diameter. Pilot Hole

Table C

## NOTE

If your refrigerator has a door lock proceed to Step 7. If your refrigerator does not have a door lock proceed to Step 9.

### Step 7: Mark and drill lock hole.

Locate and mark with a pencil the location of the lock hole on the overlay panel, this is the hole in the top corner of the handle side of the door. Remove the clamp and remove the overlay panel from the door. On the backside of the panel where you marked the lock location drill a 13/16" (20.5mm) diameter counter bore 7/16" (11.0mm) deep into the overlay panel. Drill a 15/32" (12.0mm) diameter hole through the overlay panel centered on the counterbore being careful not to splinter the wood on the face side of the panel. (See Figure 7).

### Step 8: Assemble the lock parts

Two (2) lock extensions are supplied with the lock. Use the longer extension for a 3/4" thick overlay panel and the shorter one for a 5/8" thick panel. Assemble the lock extension, cam stop washer, spring washer, and set screw to the lock as shown in Figure 7 and 8.

Install this assembly into the overlay panel and secure with the retaining nut using a 15mm socket. Make sure the key slot in the lock is vertical.

### Step 5: Clamp panel to door

Set the overlay panel on the door front, align the edges, and clamp together. Clamp the panel firmly but be careful not to crush the foam in the door or scratch the door.

### Step 6: Drill holes in overlay panel

Remove the hinge adapter bushings from the top and bottom door hinge adapters. (See Figure 10). Using the holes in the hinge adapters drill 5/16" (8mm) diameter clearance holes into the overlay panels 3/4" (20mm) deep. These will be clearance holes for the top and bottom hinge pins.

Also at this time drill the screw pilot holes for attaching the overlay panel to the door. Select the size of the hole from Table C. Be careful not to drill the pilot holes through the overlay panel but only 1/2" (12.7mm) deep.

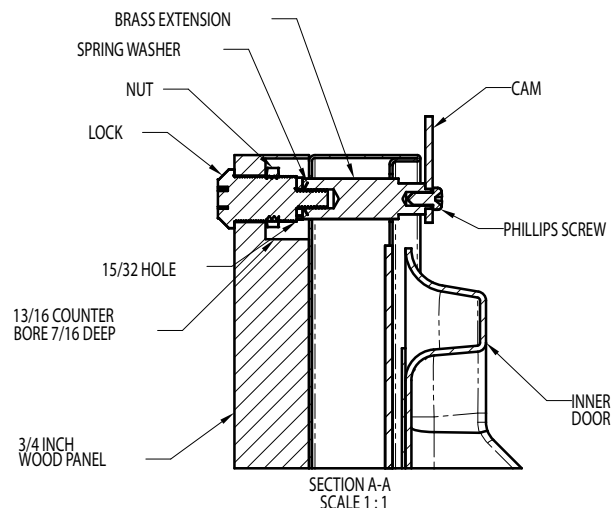


Figure 7

# FULL OVERLAY PANEL INSTALLATION INSTRUCTIONS

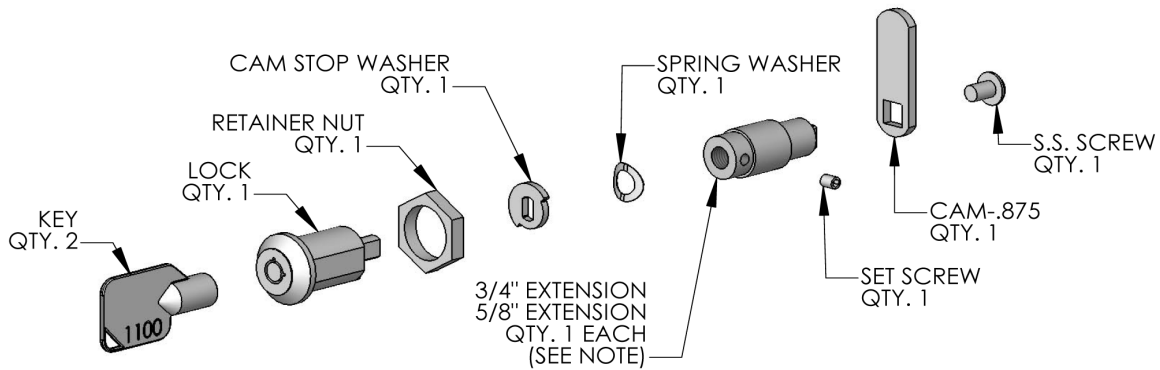


Figure 8

**Step 9: Secure overlay panel to the door.**  
 With the #8 wood screws provided fasten the overlay panel to the door. (See Figure 9).

**Step 10: Install lock cam (Models with locks only).**  
 Attach the lock cam to the back of the lock assembly with the phillips head machine screw provided. Orient the lock cam vertically when installing on the lock.

**Step 11: Install door gasket**  
 Press the door gasket into the door channel. Make certain the gasket corners are fully inserted. If applicable insert the key into the lock and make certain the lock operates properly.

**Step 12: Install the door**  
 Install the top and bottom hinge adapter bushings back into the hinge adapters that were removed in step 6. Install the door by reversing the procedure from step 2. Install the top hinge pin so the screw head is flush with the top surface of the hinge. If applicable insert key into lock and verify the lock cam works properly with the catch bracket on the front of the refrigerator cabinet.

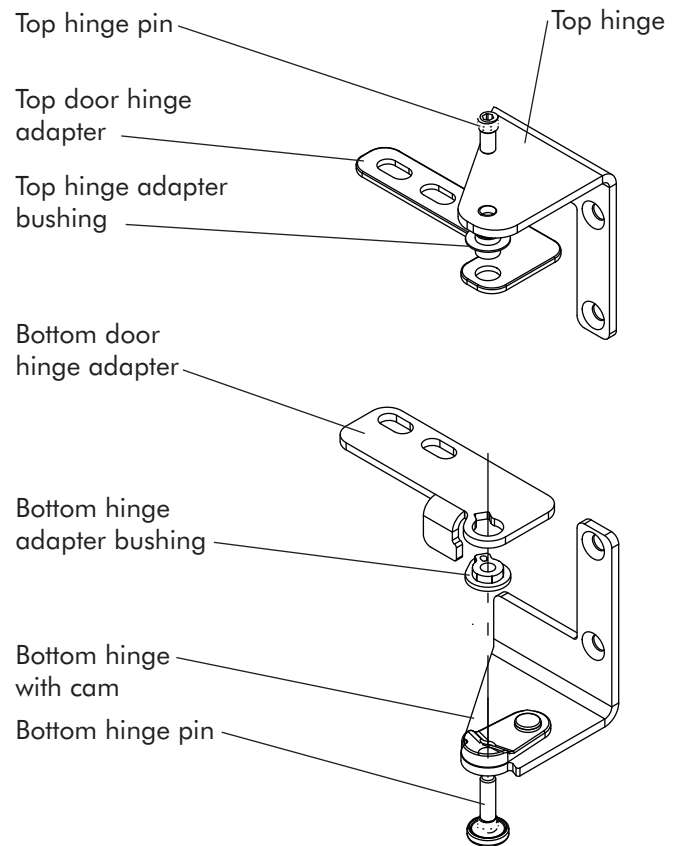


Figure 10  
 Right hand hinges shown

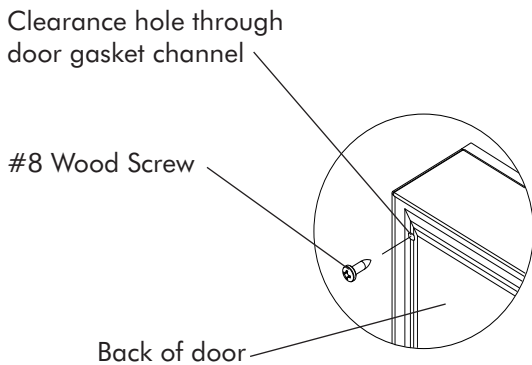


Figure 9



## 3BARM BEVERAGE AND WINE REFRIGERATOR FEATURES

### Insert Wine Bottles

The wine rack pull-out shelf holds four (4) bottles. See Figure 4 for typical wine bottle orientation. The wine rack should be located at the top part of the interior cabinet. Place the remaining shelves as desired (see Figure 5).

### Loading Tips and Suggestions

The two (2) wire racks are for general beverage storage, such as beer and soft drinks.

You may store magnums and other large bottles on any of the racks (except for the top rack) by removing the rack directly above them.

Keep wines that you plan to use for everyday drinking and entertaining on the front half of the racks where labels are completely visible. Place wines for aging or longer term storing in the rear.

### Pull-out Racks

The pull-out wine and wire racks may be pulled out approximately seven (7) inches to facilitate adding or removing bottles. Do NOT lean on or press down heavily on the wine shelf. Doing so may damage the shelf and the wine bottles stored on it. Pull the wine rack out gently and carefully to minimize unsettling your wine collection. AVOID pulling out more than one rack at any time to maintain stability.

The bottles on the top rack directly under the light will be exposed to a slightly higher temperature when the light is on. Position your wines accordingly and REMEMBER TO TURN OFF THE LIGHT WHEN IT IS NO LONGER NEEDED.

### Single Bottle Racks

Since bottles are not stacked on top of each other, you can easily view and access your inventory without disturbing other bottles (see Figure 6).

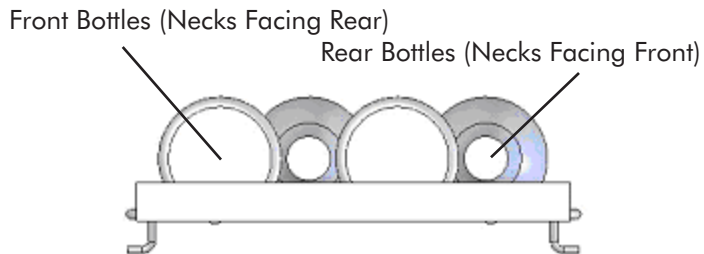


Figure 4

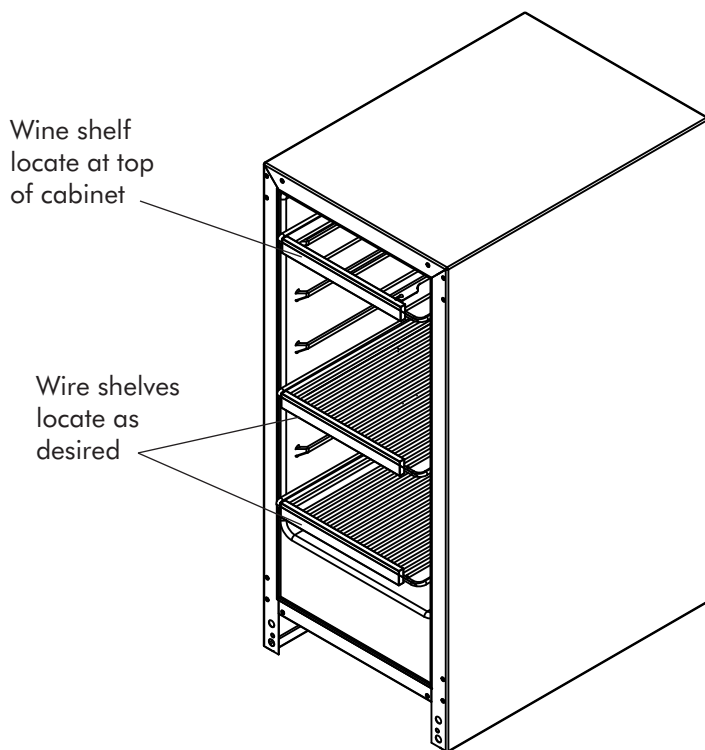


Figure 5

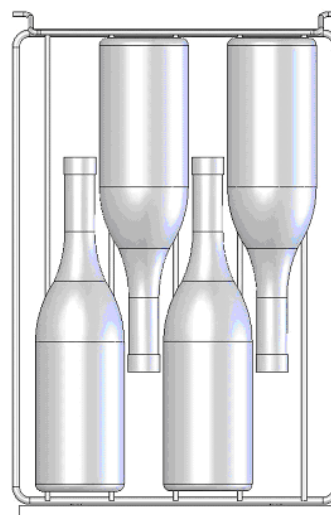


Figure 6

# 6BARM AND 6OBARM BEVERAGE AND WINE REFRIGERATOR FEATURES

## Insert Wine Bottles

The wine rack pull-out shelf holds eight (8) bottles. See Figure 6 for typical wine bottle orientation. The wine rack can be located at the middle or bottom part of the interior cabinet. For red wines, place wine shelf at bottom shelf position in the cabinet. Then put a glass shelf in the next higher position. For white and sparkling wines, put the wine shelf on the middle shelf position in the cabinet. Place the remaining shelves as desired (see Figure 7). Also, there is a fixed, wooden, bottle cradle in the bottom, step section of the cabinet. Six (6) bottles may be stored there.

## Loading Tips and Suggestions

The glass and metal shelves and fixed position wire rack are for general beverage storage, such as beer and soft drinks. The glass shelf also acts as a zone separator to create a warmer zone (5° - 8°F) for wine storage. To cool your wine to the same temperature as above, the glass can be removed and if necessary replaced with a second metal shelf. Opened wine bottles and tall beverage containers may be stored on the black metal shelf closest to the cabinet top, on the right side where there is clearance for the bottles and/or containers to stand upright. (See Figure 7).

The wooden, bottom bottle cradle may be removed for storing "jug" wines. Just remove the two (2) screws that secure the cradle to the cabinet floor.

You may store magnums and other large bottles on any of the racks (except for the top rack) by removing the rack directly above them. Position white wines on the middle or lower racks and red wines on the upper racks (see Figure 8).

The bottles on the top rack directly under the light will be exposed to a slightly higher temperature when the light is on. Position your wines accordingly and REMEMBER TO TURN OFF THE LIGHT WHEN IT IS NO LONGER NEEDED.

Keep wines that you plan to use for everyday drinking and entertaining on the front half of the racks where labels are completely visible. Place wines for aging or longer term storing in the rear.

## Pull-out Racks

The pull-out wine rack may be pulled out approximately seven and a half (7.5) inches to facilitate adding or removing bottles. Do NOT lean on or press down heavily on the wine shelf. Doing so may damage the shelf and the wine bottles stored on it. Pull the wine rack out gently and carefully to minimize unsettling your wine collection. AVOID pulling out more than one rack at any time to maintain stability.

## Single Bottle Racks

Since bottles are not stacked on top of each other, you can easily view and access your inventory without disturbing other bottles (see Figure 8).

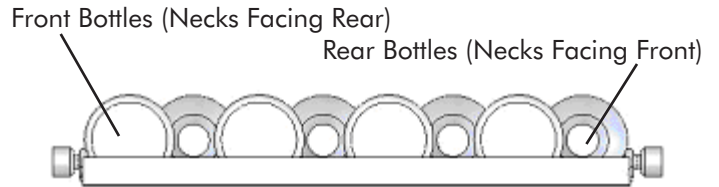


Figure 6

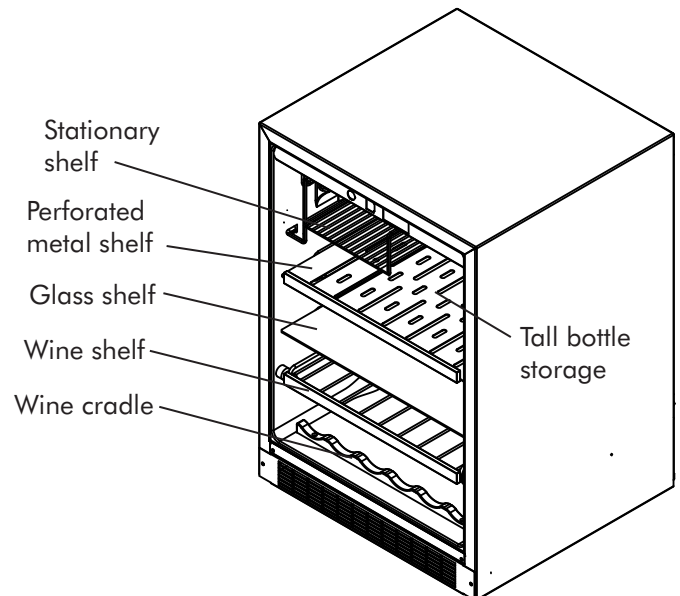


Figure 7

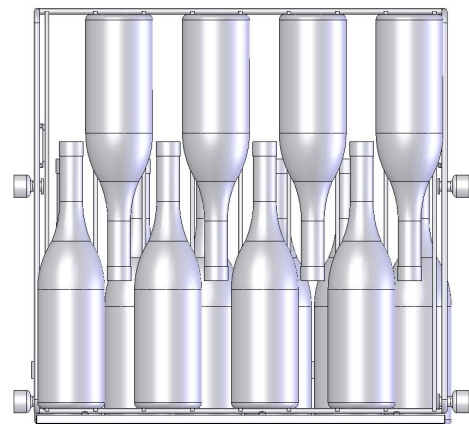


Figure 8

## CARE AND CLEANING OF YOUR BEVERAGE AND WINE REFRIGERATOR

---

### Condenser

The condenser tubing inside the cabinet does not require frequent cleaning; however, satisfactory cooling depends on adequate ventilation over the coils. Be sure that nothing obstructs the required air flow openings in front of the cabinet. At least once or twice a year, brush or vacuum lint and dirt from the front grille area (see page 3).

### Cabinet

The painted cabinet can be washed with mild soap and water and thoroughly rinsed with clear water. NEVER use abrasive scouring cleaners.

### Interior

Wash interior compartment with mild soap and water. Do NOT use an abrasive cleaner, solvent, polish cleaner or undiluted detergent.

### Pull-out Racks

The racks may be cleaned with mild soap and water and a soft cloth. Do NOT use any abrasive cleaners.

### Glass Door

Use a glass cleaner or mild soap and water and soft cloth to clean the glass door model. Do NOT use any abrasive cleaners.

### Door Gasket

The vinyl gasket may be cleaned with mild soap and water, a baking soda solution or a mild scouring powder.

### Light Bulb Replacement

#### **WARNING**

DISCONNECT THE POWER CORD BEFORE ATTEMPTING LIGHT BULB REPLACEMENT. Failure to do so may result in an electrical shock that could severely injure you.

The 30WCM and 61WCM use one, 15 watt incandescent light bulb to illuminate the interior of the refrigerator. The light bulb is a very reliable electrical component, but should it not function properly, please call the dealer where you purchased your refrigerator from for a replacement light bulb. Use only an original equipment light bulb from your dealer or Northland-Marvel.

Do NOT under any circumstance use a light bulb that exceeds 15 watts!

To replace the light bulb, disconnect power to the unit. Unscrew the old light bulb located behind the display housing at the top of the unit. Set the old light bulb aside. Screw the new light bulb into place. Reconnect power to the unit. Check to see if the light bulb operates properly to complete the installation.

The light bulb is not covered by your warranty. A replacement bulb can be obtained from your dealer or from Northland-Marvel.

### In the Event of a Power Failure

If a power failure occurs, try to correct it as soon as possible. Minimize the number of door openings while the power is off so as not to adversely affect the unit's temperature.

NOTE: If a power interruption occurs, the unit may take 5 to 10 minutes to restart.

# TROUBLESHOOTING YOUR BEVERAGE AND WINE REFRIGERATOR

## Before You Call for Service

If the unit appears to be malfunctioning, read through this manual first. If the problem persists, check the troubleshooting guide below. Locate the problem in the guide and refer to the cause and its remedy before calling for service. The problem may be something very simple that can be solved without a service call. Some remedies listed in the Troubleshooting Guide are very complex. Consulting or contracting a qualified service technician may be necessary.

## **WARNING**

**Electrocution Hazard** - Never attempt to repair or perform maintenance on the unit until the main electrical power has been disconnected.

Problem	Possible Cause	Remedy
Unit not cold enough  Adjust temperatures (See "Set Temperatures" on page 4)	<ul style="list-style-type: none"> <li>Control set too warm</li> <li>Airflow to front grille blocked.</li> <li>Excessive usage or prolonged drawer openings.</li> <li>Door gasket not sealing properly.</li> </ul>	<ul style="list-style-type: none"> <li>Adjust temperature colder. Allow 24 hours for temperature to stabilize.</li> <li>Airflow must not be obstructed to front grille. See "clearances" on page 3.</li> <li>Allow temperature to stabilize for at least 24 hours.</li> <li>Adjust or replace door gasket.</li> </ul>
Unit too cold  Adjust temperatures (See "Set Temperatures" on page 4)	<ul style="list-style-type: none"> <li>Control set too cold</li> </ul>	<ul style="list-style-type: none"> <li>Adjust temperature warmer. (See page 12, "set the desired temperature"). Allow 24 hours for temperature to stabilize.</li> </ul>
No interior light.	<ul style="list-style-type: none"> <li>Failed light bulb</li> </ul>	<ul style="list-style-type: none"> <li>Replace light bulb, see page 18.</li> </ul>
Light will not go out when door is closed	<ul style="list-style-type: none"> <li>Door not activating light switch.</li> </ul>	<ul style="list-style-type: none"> <li>Unit not level, level unit, (See page 3, "leveling legs")</li> <li>Verify the door is aligned properly, refer to page 13 for instructions.</li> </ul>
Noise or Vibration	<ul style="list-style-type: none"> <li>Unit not level</li> </ul>	<ul style="list-style-type: none"> <li>Level unit, see "Leveling Legs" on page 3.</li> </ul>
Unit will not run.	<ul style="list-style-type: none"> <li>Unit turned off</li> <li>Power cord not plugged in.</li> <li>No power at outlet.</li> </ul>	<ul style="list-style-type: none"> <li>Turn unit on. See "Starting your refrigerator" on page 4.</li> <li>Plug in power cord.</li> <li>Check house circuit.</li> </ul>

## HOW TO OBTAIN SERVICE

---

### If Service is Required:

- If the product is within the first year warranty period please call Marvel Customer Service at 800.223.3900 for directions on how to obtain warranty coverage in your area.
- If the product is outside the first year warranty period, Marvel Customer Service can provide recommendations of service centers in your area. A listing of authorized service centers is also available at [www.marvelrefrigeration.com](http://www.marvelrefrigeration.com) under the service and support section.
- In all correspondence regarding service, be sure to give the model number, serial number, and proof of purchase.
- Try to have information or description of nature of the problem, how long the unit has been running, the room temperature, and any additional information that may be helpful in quickly solving the problem.
- Fill in pertinent information below regarding your product for future reference.

For You Records	
Date of Purchase	
Dealer's name	
Dealer's Address	
Dealer's City	
Dealer's State	
Dealer's Zip Code	
Appliance Serial Number	
Appliance Model Number	
Date Warranty Card Sent (Must be within 10 days of purchase).	

# HOUSEHOLD PRODUCT WARRANTY

---

## Entire Product

### Limited One Year Parts and Labor Warranty

Marvel warrants that it will supply all necessary parts and labor to repair or replace in the end user's home or office, any component which proves to be defective in material or workmanship, subject to the condition and exclusions stated below, for a period of one year from the date of purchase by the end user.

### Additional Second Through Fifth Year Limited Parts Only Warranty

During the four years following expiration of the one year limited warranty, Marvel will supply replacement parts for the hermetically sealed refrigeration system which consists of the compressor, condenser, drier, accumulator, bypass valve, connecting tubing and the evaporator that are proven to be defective due to workmanship or materials subject to the conditions and exclusions below.

The above warranties do not cover:

- Shipping costs of replacement parts or returned defective parts.
- Customer education or instructions on how to use the appliance.
- Any content loss due to product failure.
- Removal or installation of product.

Nor do the above warranties cover failure of this product or its components due to:

- Transportation or subsequent damages.
- Commercial use or use other than normal household or small office.
- Improper installation, misuse, abuse, accident or alteration, use of wiring not conforming to electrical codes, low or high voltages, failure to provide necessary maintenance, or other unreasonable use.

## Parts or Service

### Not Supplied or Designated by Marvel

The above warranties also do not apply if:

- The original bill of sale, deliver date, or serial number cannot be verified.
- Defective parts are not returned for inspection if so requested by Marvel.
- The refrigeration equipment is not in the possession of the original end use purchaser.

The warranties set forth herein are the only warranties extended by Northland-Marvel. Any implied warranties, including the implied warranty of merchantability, are limited to the duration of these express warranties. In no event shall Northland-Marvel be liable for any consequential or incidental damages or expenses resulting from breach of these or any other warranties, whether express or implied.

Some states do not allow the exclusion or limitation of consequential damages or a limitation on how long an implied warranty lasts, so the above exclusion or limitation may not apply to you. This warranty gives you specific legal rights and you may have other rights that may vary from state to state.

No person, firm, or corporation is authorized to make any other warranty or assume any other obligation for Northland-Marvel. These warranties apply only to products used in any of the fifty states of the United States and the District of Columbia.

To obtain performance of this warranty, report any defects to:

Northland-Marvel  
P.O. Box 400  
1260 E. Van Deinse St.  
Greenville MI 48838

Phone: 800.223.3900

## Information Menu:

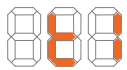
The following features are available on the Information Menu.

- Current Temperature
- Maximum Stored Temperature
- Minimum Stored Temperature
- Total Operating Time Of The Condenser
- Keypad Lockout

To access the Information Menu Press "SET" button momentarily and release.

Once in the information menu, the WARMER and COLDER keys may be used to scroll through the information menu. Additionally, pressing and releasing the SET key will advance the information menu.

The information menu will automatically exit after several seconds with no key presses.



**Current Interior Temperature (tl):** Press and hold the "SET" key to display the current interior temperature.



**Maximum Stored Temperature (thi):** Maximum stored temperature is the maximum temperature refrigerator has achieved since temperature set point was entered. Press and hold the "SET" key to display the maximum temperature stored. The data can be cleared by pressing "SET" and "ON/OFF" simultaneously while the value is displayed. NOTE: It is normal for refrigerator temperature to fluctuate from set point by several degrees.



**Minimum Stored Temperature (tLO):** Minimum stored temperature is the minimum temperature refrigerator has achieved since temperature set point was entered. Press and hold the "SET" key to display the minimum temperature stored. The data can be cleared by pressing "SET" and "ON/OFF" simultaneously while the value is displayed. NOTE: It is normal for refrigerator temperature to fluctuate from set point by several degrees.



**Total Operating Time of the Condenser Since the Last Cleaning (cnd):** Press and hold the "SET" key to display the total operating hours of the compressor since the last cleaning. The control stores the total operating hours of the compressor to determine the volume of air that has moved across the condenser coils. This number is displayed in weeks. A reminder is displayed when a cleaning is recommended (see Alarm Codes). The recommended cleaning period is the equivalent of one year of air volume. The data can be cleared by pressing the "SET" and "ON/OFF" keys simultaneously while the value is displayed.



**Keypad Lockout Feature (Loc):** This feature is useful for prohibiting changes in the temperature set point or accidentally turning the unit off. Press and hold the "SET" key to display the current "Loc" setting.



If "No" is displayed, Lock



out is OFF and all keys are enabled. If "Yes" is displayed, Lockout is ON and the "ON/OFF", "WARMER", and "COLDER" keys are disabled. However, the key tones remain enabled. While holding the "SET" key, press the "WARMER" or "COLDER" key to select the desired state. Release the "SET" key to confirm the selection.

NOTE: The Information/Lockout Key "SET" remains enabled regardless of the "Loc" setting.



PART OF THE **AGA** RANGEmaster GROUP

Northland-Marvel  
P.O. Box 400  
1260 E. Van Deinse St.  
Greenville MI 48838

800.223.3900

41011766-EN Rev G  
11/21/09

[www.marvelrefrigeration.com](http://www.marvelrefrigeration.com)

All specifications and product designs subject to change without notice. Such revisions do not entitle the buyer to corresponding changes, improvements, additions, replacements or compensation for previously purchased products.