

Counter-Depth Refrigerator

EW23CS85K S

Featuring Wave-Touch® Electronic Controls



Perfect Temp® Drawer

Features nine preset selections including White/Sparkling Wine, Fish/Shellfish, Snacks and Chilled Beer, plus three customizable "My Favorites," giving you an array of choices to store or serve whatever you want at the ideal temperature.



Luxury-Glide® Crispers

Drawers smoothly glide out and keep produce fresh with adjustable humidity control and minimal temperature variation.



Wave-Touch® Controls

One simple touch and the control panel activates. After you make your choices, options will fade away, returning to an uncluttered display.



9"-Tall Water/Ice Dispenser

Our tall water and ice dispenser is specially designed to accommodate a variety of large containers, from a 16-ounce tumbler to a pitcher or a coffee carafe.

23 CU. FT. COUNTER-DEPTH REFRIGERATORS

Capacities	
Total Capacity	22.6 Cu. Ft.
Fresh Food Volume	14.06 Cu. Ft.
Freezer Volume	8.52 Cu. Ft.
Total Shelf Area	22.1 Sq. Ft.
Fresh Food Shelf Area	16.0 Sq. Ft.
Freezer Shelf Area	6.1 Sq. Ft.

Exterior	
Signature Soft-Arc Door and Handle Design	Yes
Wave-Touch® Electronic Controls	Yes
Door Hinge Covers	Yes
Ice/Water Dispenser	Yes
Perfect Set® Temperature Control System and Display	Yes
Crushed/Cubes/Water	Yes
Air and Water Filter Indicator/Reset	Yes
Fast Ice™	Yes
Fast Freeze™	Yes
Lock	Yes
Dispenser Light Control	Yes

Fresh Food Conveniences	
PureAdvantage® Water & Ice / Air Filtration	Yes
Water Filter Location	Right Rear
Temp Alarm System / Door Ajar Alarm / Power Failure Alarm	Yes
Luxury-Design® Lift-Off Glass Shelves	3
Luxury-Glide® Soft-Closing Dual Humidity-Controlled Upper Crisper	Yes
Luxury-Glide® Soft-Closing Humidity-Controlled Lower Crisper	Yes
Luxury-Glide® Soft-Closing Perfect Temp® Drawer	Yes
Luxury-Glide® Chill Zone™ Drawer	
Wine and Beverage Mat	Yes
Clear Adjustable Gallon Door Bins	1
Clear Removable 2-Liter Door Bins	1
Full Width Condiment Shelf	1
Perfect Bin™ Door Storage	Yes
Tall Bottle Retainers	
Clear In-Door Can Racks (Holds 6 Cans Each)	2
Luxury-Design® LED Ramp-Up Multilevel Lighting	Yes

Freezer Conveniences	
Automatic Ice Maker with Ice Server	Yes
Glass Shelves	2
Sliding Full-Width Freezer Baskets	2 Luxury-Glide®
Sliding Half-Width Freezer Baskets	1 Luxury-Glide®
Clear Fixed Door Bins	3
Tilt-Out Wire Door Racks	
Ice Cream Shelf	
Soft Freeze™ Bin	Yes
Pizza Shelf	Yes
Luxury-Design® LED Ramp-Up Multilevel Lighting	Yes

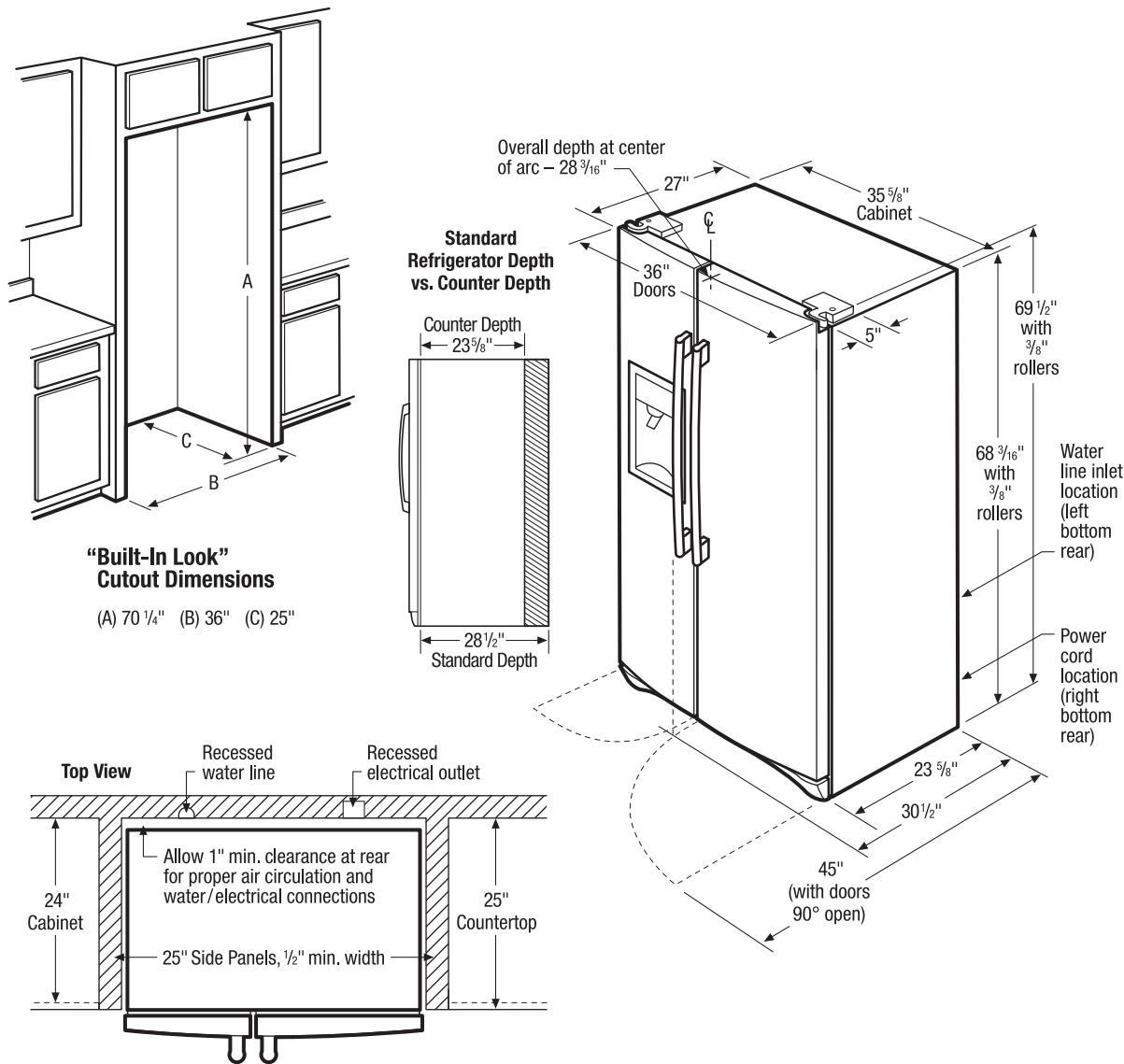
Additional Features	
ENERGY STAR®	Yes
Sabbath Mode (Star-K® Certified)	Yes
A.D.A. Compliant*	Yes

Specifications	
Color –	Stainless Steel
Product Dimensions –	
Height (with Hinges and 3/8" Rollers)	69-1/2"
Cabinet Width / Door Width	35-5/8" / 36"
Depth (to Center of Arc) / (with 90° Door Open)	28-3/16" / 45"
Power Supply Connection Location	Right Bottom Rear
Water Inlet Location	Left Bottom Rear
Voltage Rating	120V/60Hz/15 or 20A
Connected Load (kW Rating) @ 120 Volts [†]	1.02
Minimum Circuit Required (Amps)	15
Shipping Weight (Approx.)	310 Lbs.

*When properly installed, meets the appliance standards in the Americans with Disabilities Act and the Architectural Barriers Act Accessibility Guidelines as published by the United States Access Board on June 23, 2004, as amended August 5, 2005.

†An electrical supply with grounded three-prong receptacle is required. The power supply circuit must be installed in accordance with current edition of National Electrical Code (NFPA 70) and local codes & ordinances.

NOTE: Always consult local and national electric & plumbing codes. Refer to Product Installation Guide for detailed installation instructions on the web at www.electroluxappliances.com. Specifications subject to change.



Counter-Depth Refrigerator Specifications

- Product Weight – 300 Lbs.
- An electrical supply with grounded three-prong receptacle is required. The power supply circuit must be installed in accordance with current edition of National Electrical Code (NFPA 70) and local codes & ordinances.
- Voltage Rating – 120V/60Hz/ 15 or 20 Amps
- Connected Load (kW Rating) @ 120 Volts = 1.02kW
- Amps @ 120 Volts = 8.5 Amps
- Always consult local and national electric & plumbing codes.
- Floor should be level surface of hard material, capable of supporting fully loaded refrigerator.
- When installing refrigerator adjacent to wall, cabinet or other appliance that extends beyond front edge of unit, 20" minimum clearance recommended to allow for optimum 120° to 180° door swing, providing complete drawer/crisper access and removal. (*Absolute 4-1/2" minimum clearance will ONLY allow for 90° door swing which will provide drawer/crisper access with restricted removal.*)
- To ensure optimum performance, avoid installing in direct sunlight or close proximity to range, dishwasher or other heat source.

- For proper ventilation, front grille MUST remain unobstructed.
- Recess electrical outlet when possible.
- Water recess on rear wall recommended to prevent water line damage.
- Water Pressure – Cold water line must provide between 30 and 100 pounds per square inch (psi).
- Copper tubing with 1/4" O.D. recommended for water supply line with length equal to distance from rear of unit to household water supply line plus 7 additional feet. Optional Water Supply Installation Kits available.
- Adjustable front rollers to assist with door alignment.

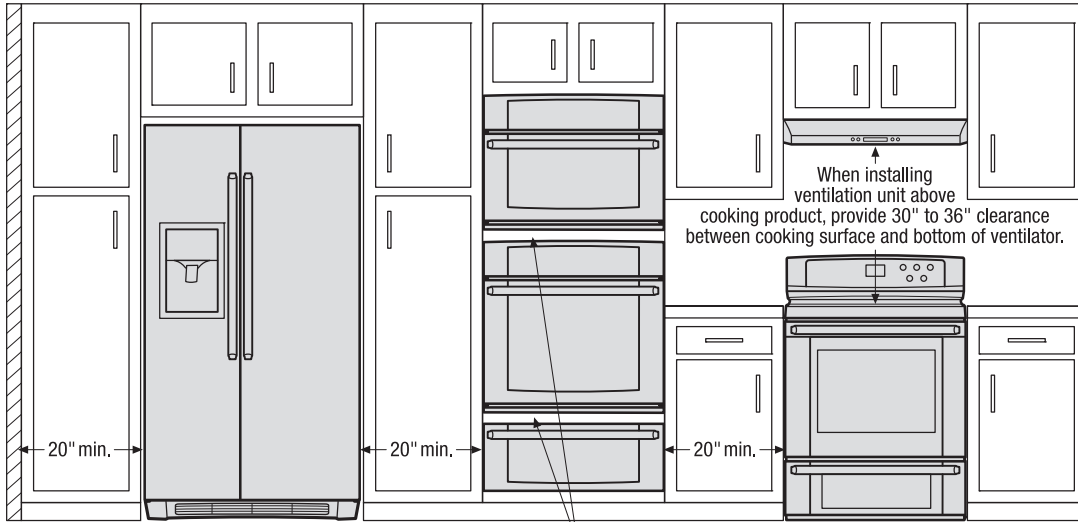
"Built-In Look" Specifications

- Minimum opening of 70-1/4" H x 36" W x 25" D required to allow for ease of installation, proper air circulation, and plumbing/electrical connections.
- Remove all wall/floor molding prior to installation.

Note: For planning purposes only. Refer to Product Installation Guide on the web at electroluxappliances.com for detailed instructions.

Use these dimensions and clearance instructions for planning purposes only. For detailed installation instructions, refer to installation guide, packed with product, or on the web at electroluxappliances.com.

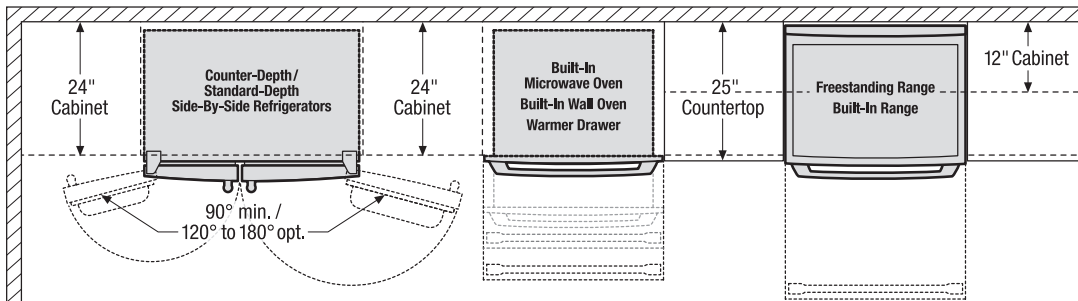
Front



When installing appliances adjacent to each other, 20" minimum distance between each appliance required.

When installing built-in cooking appliances in combination, 2" minimum visible gap between appliance faceplates required.

Top

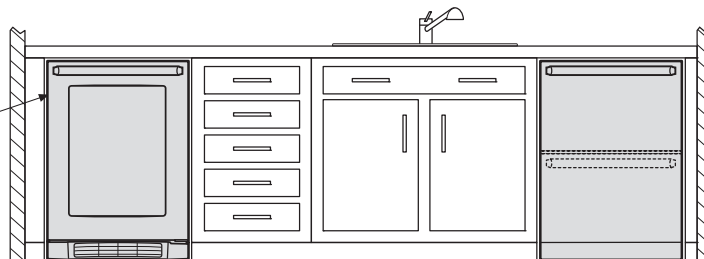


When installing refrigerator adjacent to wall, cabinet or another appliance that extends beyond front edge of unit, 20" minimum clearance recommended to allow for optimum 120° to 180° door swing, providing complete drawer/crisper access and removal.

When installing appliance with sliding drawer or drop-down door directly across from obstructions, provide sufficient clearance for drawer extension or door swing.

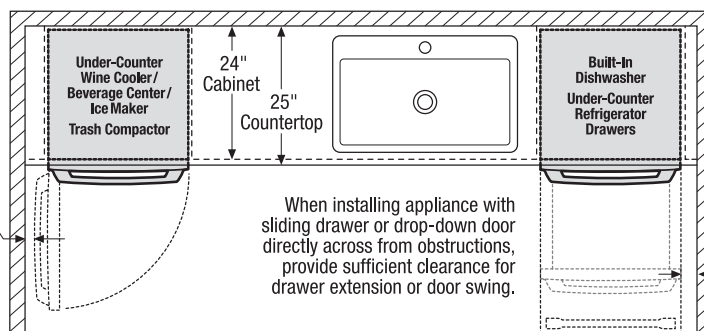
Front

To ensure optimum performance, avoid installing refrigeration appliances in direct sunlight or near heat source.



Top

When installing appliance with side-swing door adjacent to wall, cabinet, or other obstruction that extends beyond front edge of appliance, door swing and handle clearance must be sufficient to allow access to appliance interior.



When installing appliance with sliding drawer or drop-down door directly across from obstructions, provide sufficient clearance for drawer extension or door swing.

When installing appliance with sliding drawer or drop-down door adjacent to wall, cabinet, or other obstruction that extends beyond front edge of appliance, allow 2" minimum clearance between drawer or door and obstruction.

Electrolux Major Appliances, N.A.

USA • 10200 David Taylor Drive • Charlotte, NC 28262 • 1-877-4electrolux (1-877-435-3287) • electroluxappliances.com
 CANADA • 5855 Terry Fox Way • Mississauga, ON L5V 3E4 • 1-800-265-8352 • electroluxappliances.ca