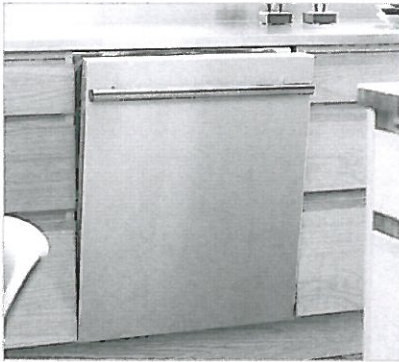


FULLY INTEGRATED DISHWASHER DOOR OPTIONS

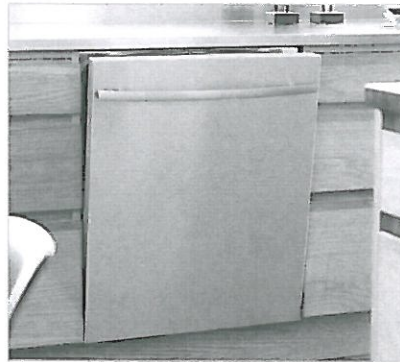
We are all individuals, so it is important that your kitchen matches your personality, tastes, and way of living. Therefore, on our fully integrated models, you can customize the front panel to match anything from custom cabinetry to the latest trends. With a wide range of handles and finish options, anything is possible.



T-Bar Handle – TouchProof™ Stainless

PANEL SIZE

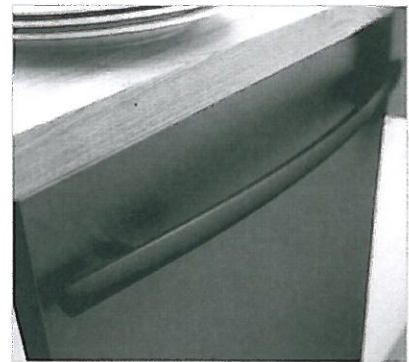
D5000XXL 8082970-90	1
D5000 ADA 8082973-90	3



Curved Handle – TouchProof™ Stainless

PANEL SIZE

D5000XXL 8082971-90	1
D5000 ADA 8082974-90	3



Curved Handle – White / Black

PANEL SIZE

D5000XXL 8089293-0 White	1
D5000XXL 8089293-29 Black	1



TouchProof™ Stainless Steel/Black Glass

PANEL SIZE

D5000 ADA 8082964-29	3
D5000XXL 8089294-29	2



S Handle – TouchProof™ Stainless Steel

PANEL SIZE

D5000XXL 8082969-90	1
---------------------	---

PANEL SIZES

Panel 1: 30 1/8" H x 23 7/8" W

Panel 2: 29 7/8" H x 23 5/8" W

Panel 3: 28 1/8" H x 23 5/8" W

XXL Dishwashers

(except D5894XXLFI / D5554XXLFI)

The machine is delivered from the factory with two blue door springs that are designed to accommodate a door panel that weighs up to 15 lbs. For panels that weigh between 15 and 19 lbs, remove one blue spring that came with the unit and replace it with a green (8079660) spring. For panels that weigh between 19 and 23 lbs, remove both springs that came with the unit and replace them with two green (8079660) springs.



Front-adjustable Door Springs

The models D5894XXLFI & D5554XXLFI are delivered from the factory with front adjustable door springs for door panels that weigh between 3 and 19 lbs. Optional accessory door springs are not necessary.

ADA Dishwashers

The machine is delivered from the factory with one red, and one blue door spring that are designed to accommodate a panel that weighs up to 17 lbs. For panels that weigh between 18 and 22 lbs, remove the red spring that came with the unit and replace it with a blue (8088593) spring. For panels that weigh between 22 and 27 lbs, remove both springs that came with the unit and replace them with two green (8079660) springs.

XXL TALL TANK MODELS

PLANNING & DESIGN: XXL DISHWASHERS

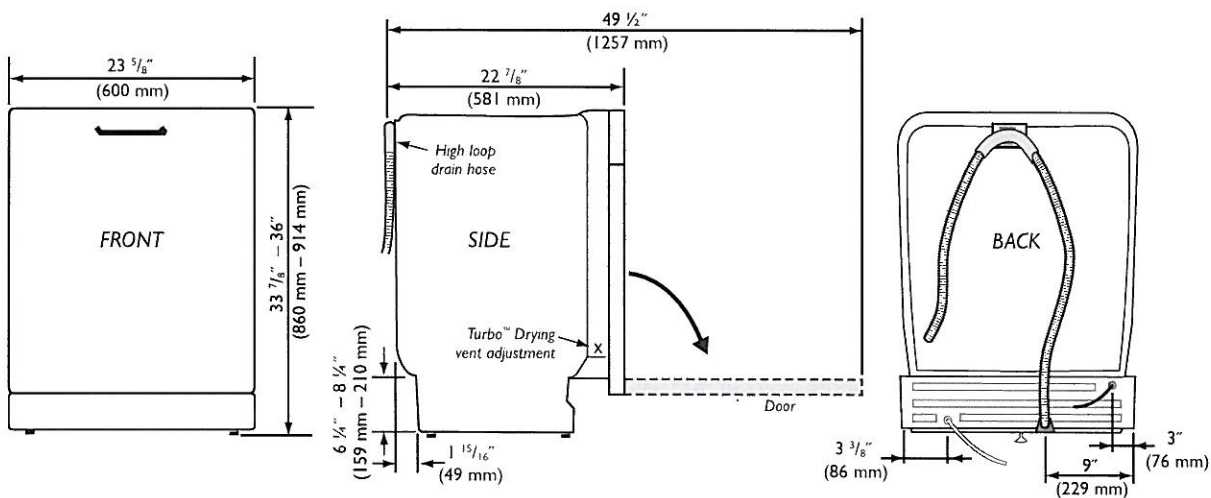
D5524XXLFI, D5534XXLFI, D5554XXLFI, D5894XXLFI

Unit Dimensions

	US	METRIC
HEIGHT:	33 7/8" – 36"	860 – 914 mm
WIDTH:	23 5/8"	600 mm
DEPTH:	22 7/8"	581 mm
DEPTH W/DOOR OPEN:	49 1/2"	1257 mm
WEIGHT:	94 lbs	43 kg

Technical Data

Electricity	120 V, 60 Hz, 15 Amp
Water pressure	18 – 176 psi
Heating element	1200 watt
Max loading	1300 watt



Toe kick reveal height will be the dishwasher installation height minus the door panel height.

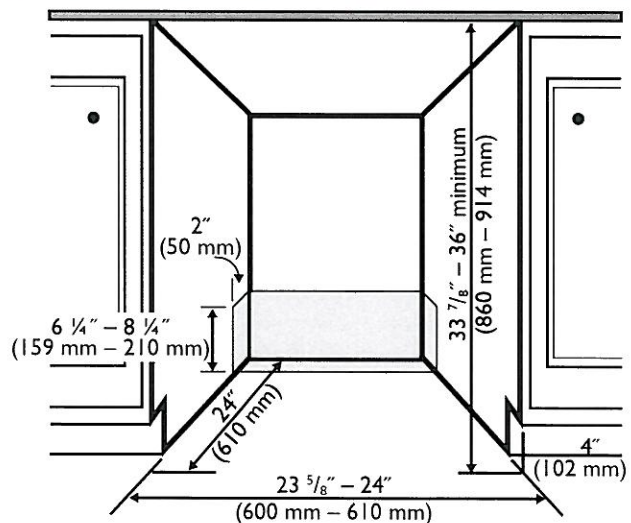
Custom Front Panels

The D5524XXLFI, D5534XXLFI, D5554XXLFI and D5894XXLFI can only be installed with a fully-integrated custom door panel that extends from the desired toe kick height to the counter top. A one-piece accessory door panel selection is also available.

Cutout Dimensions

	US	METRIC
HEIGHT:	33 7/8" – 36"	860 – 914 mm
WIDTH:	23 5/8" – 24"	600 – 610 mm
DEPTH:	24"	610 mm

The electrical and water supplies should enter through the area indicated by the shaded area. Preferably, they should come through the right side of the machine. The access hole must be round and smooth and no bigger than 2" (51 mm) in diameter.



* If accessory FI fill strips are used, then 1/2" (13 mm) must be added to the dishwasher height and cutout. Additionally, 3/8" (10 mm) must be added to the dishwasher width and cutout width.

Planning & Design: XXL FI Dishwashers

FITTING THE ASKO ACCESSORY DOOR PANEL OR CUSTOM DOOR PANEL WITH A 4" (102 MM) REVEAL

The ASKO fully integrated (FI) models can be installed with a fully-integrated, buyer-supplied custom door panel or ASKO accessory panel (see page 10) that extends from the reveal / toe kick to the counter top. The unit comes with everything needed to make installing the door panel easy. The door is predrilled for the panel's mounting screws.

The custom panel should be a minimum of $\frac{3}{4}$ " (19 mm) thick.

Items Provided With The Unit

- Two $\frac{3}{8}$ " (10 mm) screws
- Six $1\frac{3}{4}$ " (44 mm) screws

CUSTOM PANEL DIMENSIONS

WIDTH:	23 $\frac{5}{8}$ " min* (600 mm)
HEIGHT:	30 $\frac{1}{8}$ " (765 mm) (Measured from the top of the panel to the lower edge of the kitchen cabinet.)
THICKNESS:	$\frac{3}{4}$ " (19 mm)

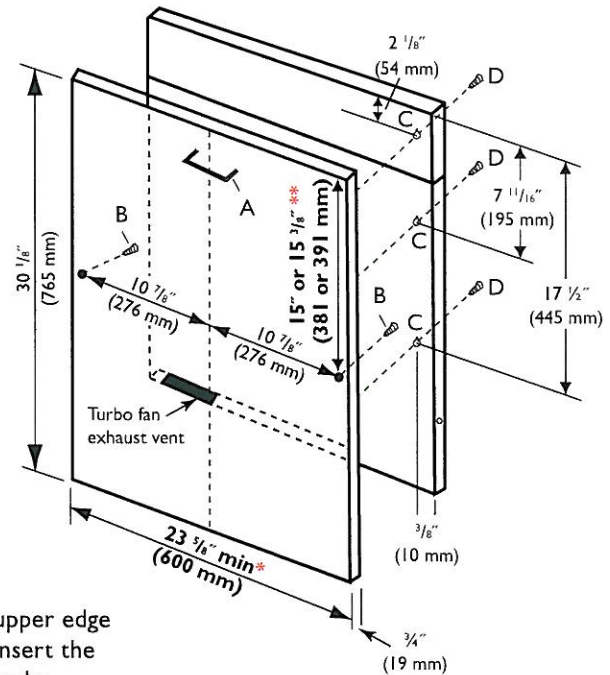
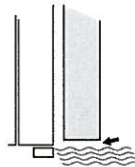
Installing The Custom Panel or ASKO Accessory Panel – 4" (102mm) Reveal

Before fitting the door panel, the dishwasher must be installed underneath the cabinet. After you've made the required measurements, pull the machine out again to install the panel.

Refer to the illustration at right for instruction references.

1. Fit the handle (A) onto the panel according to the manufacturer's instructions. (**NOTE:** A handle should be used rather than a knob, because a knob does not provide enough grip.)

IMPORTANT! The custom panel must not obstruct the fan exhaust vent; otherwise, moisture from the vent could eventually damage the cabinet and create drying problems.



2. The two short screws (B) go into the back of the panel, 15" (381 mm) (no top trim) or 15 $\frac{3}{8}$ " (391 mm) (with top trim) from the upper edge of the panel and 10 $\frac{7}{8}$ " (276 mm) from the center of the panel. Insert the short screws into the panel, leaving $\frac{1}{8}$ " (3 mm) of space between the screw head and the panel.
3. Hook the panel screws (B) into the keyholes on the dishwasher door.
4. Slide the panel to the left until it is centered in the opening, and secure the screws.
5. Open the door and use the six screws (D) supplied to secure the panel to the door.

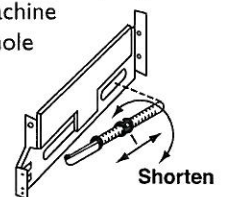
NOTE: Refer to page 10 for information regarding spring weights and part numbers

* Max panel width cannot exceed cutout dimensions less $\frac{1}{8}$ " (3 mm) reveal on each side.

** With use of optional FI trim kit. Custom door panel height or position should adjust to conceal upper trim (if applied). Refer to page 30 for FI trim kit information.

Adjusting The Door Springs

Before you push the dishwasher into the cabinet opening, test the door to make sure it stays in place at any angle. If necessary, pull out the machine and adjust the tension of the door springs on the sides of the machine by moving them one hole further back or by twisting the spring to make it shorter.



*Models D5894XXLFI & D5554XXLFI feature front-adjusting door springs

Planning & Design: XXL FI Dishwashers

FITTING THE ASKO ACCESSORY DOOR PANEL OR CUSTOM DOOR PANEL WITH A 6" (152 MM) REVEAL

The ASKO fully integrated (FI) models can be installed with a buyer-supplied custom door panel or an ASKO XXL or ADA accessory panel (see page 10) that extends from the reveal / toe kick to the counter top. The D5000 Series dishwashers include mounting screws required for easy installation. The ASKO accessory door panels are predrilled for mounting onto the D5000 dishwasher. The custom panel should be a minimum of $\frac{3}{4}$ " (19 mm) thick.

Hardware Provided With The Dishwasher

- Six (6) (D5000XXLFI & ADA FI models) – 1 $\frac{3}{4}$ " (44 mm) screws

CUSTOM PANEL DIMENSIONS

WIDTH:	23 $\frac{5}{8}$ " min* (600 mm)
HEIGHT:	30 $\frac{1}{8}$ " (765 mm) (Measured from the top of the panel to the lower edge of the kitchen cabinet.)
THICKNESS:	$\frac{3}{4}$ " (19 mm)

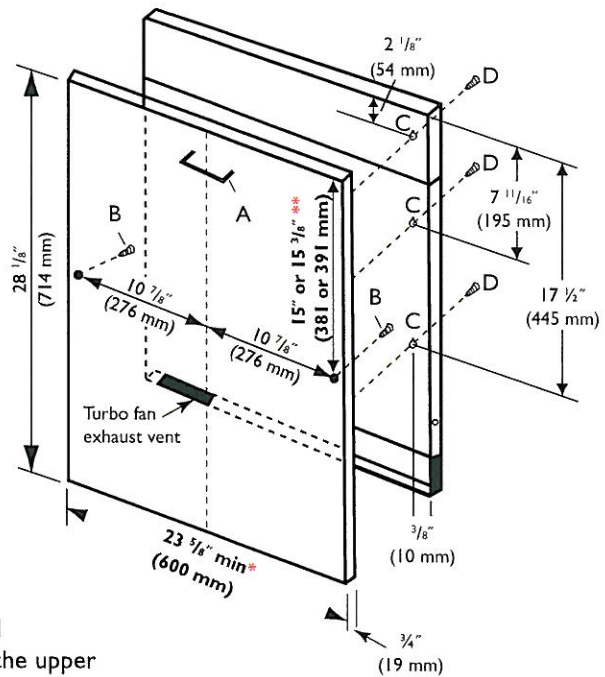
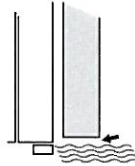
Installing The Custom Panel – 6" (152 mm) Reveal

Before fitting the custom panel, the dishwasher must be installed underneath the cabinet. After you've made the required measurements, pull the machine out again to install the panel.

Refer to the illustration at right for instruction references.

1. Fit the handle (A) onto the panel according to the manufacturer's instructions. (**NOTE:** A handle should be used rather than a knob, because a knob does not provide enough grip.)

IMPORTANT! The custom panel must not obstruct the fan exhaust vent; otherwise, moisture from the vent could eventually damage the cabinet and create drying problems.



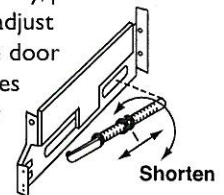
2. The two short screws (B) go into the back of the panel, 15" (381 mm) (no top trim) or 15 $\frac{3}{8}$ " (391 mm) (with top trim) from the upper edge of the panel and 10 $\frac{7}{8}$ " (276 mm) from the center of the panel. Insert the short screws into the panel, leaving $\frac{1}{8}$ " (3 mm) of space between the screw head and the panel.
3. Hook the panel screws (B) into the keyholes on the dishwasher door.
4. Slide the panel to the left until it is centered in the opening, and secure the screws.
5. Open the door and use the six screws (D) supplied to secure the panel to the door.

NOTE: Refer to page 10 for information regarding spring weights and part

- * Max panel width cannot exceed cutout dimensions less $\frac{1}{8}$ " (3 mm) reveal on each side.
- † With use of FI trim kit. Custom door panel height or position should adjust to conceal upper trim (if applied). Refer to page 30 for FI trim kit information.

Adjusting The Door Springs

Before you push the dishwasher into the cabinet opening, test the door to make sure it stays in place at any angle. If necessary, pull out the machine and adjust the tension of the door springs on the sides of the machine by moving them one hole further back or by twisting the spring to make it shorter.

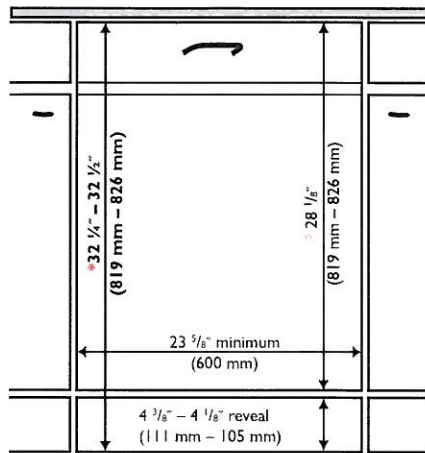


*Models D5894XXLFI & D5554XXLFI feature front-adjusting door springs

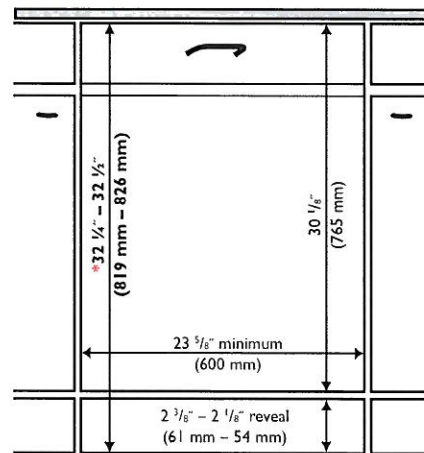
Specifications are subject to change without notice.
See installation instructions for additional details.

Planning & Design: ADA Dishwashers

ADA HEIGHT COMPLIANT INSTALLATIONS



D5534ADAFI

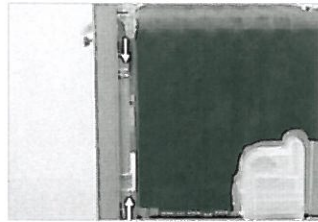


D5634ADAHS / D5424ADA

For counters with a maximum ADA height of 34" (864 mm). For cabinet openings of 32 1/4" (819 mm) – 32 1/2" (826 mm) (based on 1 1/2" (38 mm) counter top thickness). Panel extends from reveal / toe kick to underside of counter top surface.

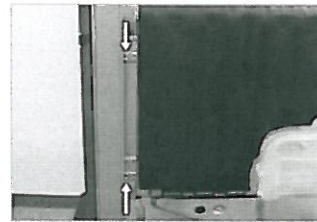
D5000FI TRIM KIT INSTALLATION OPTIONS

ASKO D5000FI dishwashers can be installed either with or without accessory fill strips depending on the type of installation. If the dishwasher cutout has been cut to European widths of 23 5/8" (600 mm), the units won't require fill strips. If the dishwasher cutout is a standard 24" (610 mm) wide, we offer fill strip kits that make the unit 24" (610 mm) wide.



23 5/8" (600 mm) Wide Door Panels

The ASKO accessory fill kit for 23 5/8" (600 mm) Width Door Panels (8077317-95), which includes the counter saver fill strip and both side fill strips, should be installed in the back mounting holes.



23 7/8" (606 mm) Wide Door Panels

The ASKO accessory fill kit for 23 7/8" (606 mm) Width Door Panels (8078982-95) which includes the counter saver fill strip and both side fill strips, should be installed in the front mounting holes.

ASKO UNIQUE DESIGN SOLUTIONS

Are you installing European cabinets? All ASKO XXLFI Series models offer the perfect solution for lower toe kick reveals up to 7 3/4" (197 mm).

Are you remodeling your home? Maybe you just want that special application in your new home to make it stand out above all others. ASKO ADA models are designed for your unique home.

32 1/4" (819 mm) height requires removal of top trim, lower side trim (2)

Specifications are subject to change without notice. See installation instructions for additional details.

The ASKO brand offers the installation versatility to meet today's installation requirements. Whether you are looking for solutions that address toe kick reveal flexibility from 2 1/2" (64 mm) to 7 3/4" (197 mm), ADA height compliance as low as 32 1/4" (819 mm) for that special project or raised sub-floor installations. ASKO D5000 Series dishwashers have the solution for you!

** XXLFI models accommodates a variety of toe kick reveals from 2 1/2" (64 mm) to 7 3/4" (197 mm), while the ADAFI model offer a range from 2 1/8" (54 mm) to 4" (102 mm). Maximum reveal varies by available installation and door panel height.