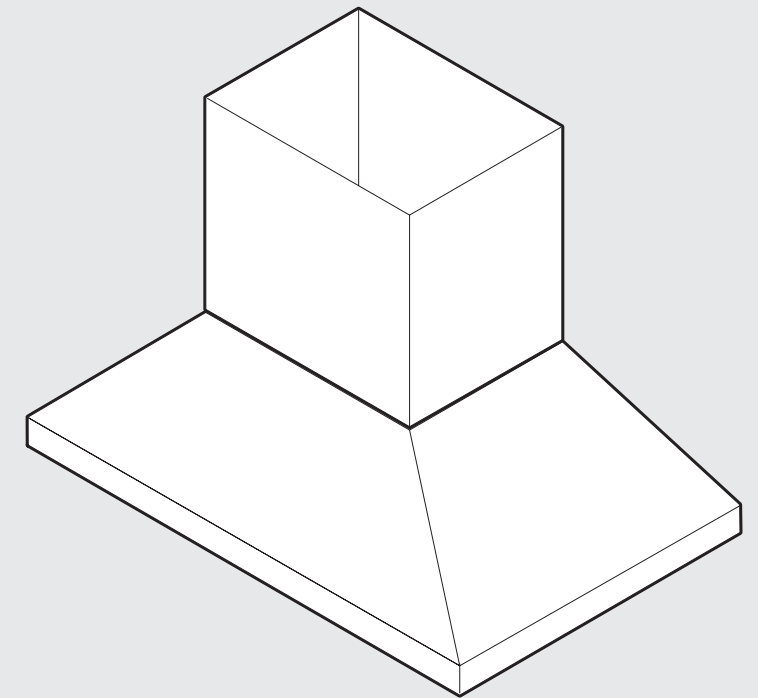


Installation GUIDE



Viking Range Corporation
111 Front Street
Greenwood, Mississippi 38930 USA
(662) 455-1200

For product information, call 1-888-VIKING1 (845-4641)
or visit the Viking Website at vikingrange.com



VIKING | D3
Hoods

Table of Contents

Warnings & Important Information _____	3
RDWHC Classic Chimney Wall Hoods w/Standard Ventilator	
Dimensions & Specifications _____	5
Clearance Dimensions _____	6
Interior Ventilator Dimensions _____	7
Planning Information _____	8
Installation Procedure	
Installation (RDWHC Classic Chimney Wall Hoods w/Standard Ventilator) _____	9
Duct Cover (RDWHC Classic Chimney Wall Hoods w/Standard Ventilator) _____	11
Installation (RDWHC Classic Chimney Wall Hoods w/Recirculating Kit) _____	12
Service & Registration _____	15

IMPORTANT—Please Read and Follow!

NOTE: If installing hood with warming shelf panel, install warming shelf panel first.

IMPORTANT – PLEASE READ AND FOLLOW

- Before beginning, please read these instructions completely and carefully.
- **DO NOT** remove permanently affixed labels, warnings, or plates from the product. This may void the warranty.
- Please observe all local and national codes and ordinances. If no local codes are applicable, wire in accordance with the National Electrical Code, ANSI/NFPA 70-latest edition.
- The installer should leave these instructions with the consumer who should retain for local inspector's use and for future reference.
- Check with a qualified and trained installer or local codes for makeup air requirement, if any.

This hood is for residential installation only and is not designed for installation over a commercial product. Make sure power is off at the main circuit breaker or fuse box before making connections. To avoid risk of fire, electric shock, or injury to persons, turn off the electricity to the hood from the power supply before servicing or cleaning.

Viking hoods are equipped with the variable speed controls for blowers. These units will not function with a single speed ventilator. All Viking ventilator kits are designed specifically for use with Viking hoods. Use of any non-Viking ventilator kit will void the hood warranty.

READ AND SAVE THESE INSTRUCTIONS

⚠ WARNING

TO REDUCE THE RISK OF A RANGETOP GREASE FIRE

1. Never leave surface units unattended at high setting. Boilovers cause smoking and greasy spillovers that may ignite. Heat oils slowly on low or medium settings.
2. Always turn hood ON when cooking at high heat or when cooking flaming foods. (i.e. crepes suzette, cherries jubilee, peppercorn beef flambé).
3. Clean ventilating fans frequently. Grease should not be allowed to accumulate on fan or filter.
4. Use proper pan size. Always use cookware appropriate for the size of the surface element.

⚠ WARNING

TO REDUCE THE RISK OF FIRE, ELECTRICAL SHOCK, OR INJURY TO PERSONS, OBSERVE THE FOLLOWING

1. Installation work and electrical wiring must be done by qualified person(s) in accordance with all applicable codes and standards, including fire-rated construction.
2. Sufficient air is needed for proper combustion and exhausting of gases through the flue (chimney) of fuel burning equipment to prevent back drafting. Follow the heating equipment manufacturer's guideline and safety standards such as those published by the National Fire Protection Association (NFPA), and the American Society for Heating, Refrigeration and Air Conditioning Engineers (ASHRAE), and the local code authorities.
3. When cutting or drilling into wall or ceiling, do not damage electrical wiring or other hidden utilities.
4. Ducted fans must always be vented to the outdoors.
5. **WARNING!:** To reduce risk of fire, use only metal ductwork.
6. **CAUTION!:** To reduce risk of fire and to properly exhaust air, be sure to duct air outside. Do not vent exhaust air into spaces within walls or ceilings, or into attics, crawl spaces, or garages.
7. **CAUTION!:** To Reduce the Risk of Fire and Electric Shock, Install this range hood only with remote blower models manufactured by Viking, model numbers – DEV900/DEV1200, VEV900/VEV1200, OR DEV1500, VEV1500 or integral blowers manufactured by Viking, model numbers – DIV300, DIV440, DIV600, DIV800, DIV1200, VIV300, VIV600, or VIV1200.
NOTE – Please refer inside for specific canopy/blower combinations.

⚠ WARNING

TO REDUCE THE RISK OF FIRE, ELECTRIC SHOCK, OR INJURY TO PERSONS, OBSERVE THE FOLLOWING

- Use this unit only in the manner intended by the manufacturer. If you have any questions, contact the manufacturer.
- Before servicing or cleaning unit, switch power off at service panel and lock service panel to prevent power from being switched on accidentally. When the service disconnecting means cannot be locked, securely fasten a prominent warning device, such as a tag, to the service panel.

IMPORTANT—Please Read and Follow!

⚠ WARNING

TO REDUCE THE RISK OF INJURY TO PERSONS IN THE EVENT OF A RANGETOP GREASE FIRE, OBSERVE THE FOLLOWING. (Based on “Kitchen Firesafety Tips,” published by NFPA.)

1. SMOTHER FLAMES with a close fitted lid, cookie sheet, or metal tray, then turn off the burner. BE CAREFUL TO PREVENT BURNS. If the flames do not go out immediately, EVACUATE AND CALL THE FIRE DEPARTMENT.
2. NEVER PICK UP A FLAMING PAN. You may be burned.
3. DO NOT USE WATER, including wet dishcloths or towels a violent steam explosion will result.
4. Use an extinguisher ONLY if
 - You know it is a Class ABC extinguisher, and you already know how to operate it.
 - The fire is small and contained in the area where it started.
 - The fire department is being called.
 - You can fight the fire with your back to an exit.

⚠ CAUTION

For general ventilating use only. **DO NOT** use to exhaust hazardous or explosive materials and vapors.

⚠ WARNING

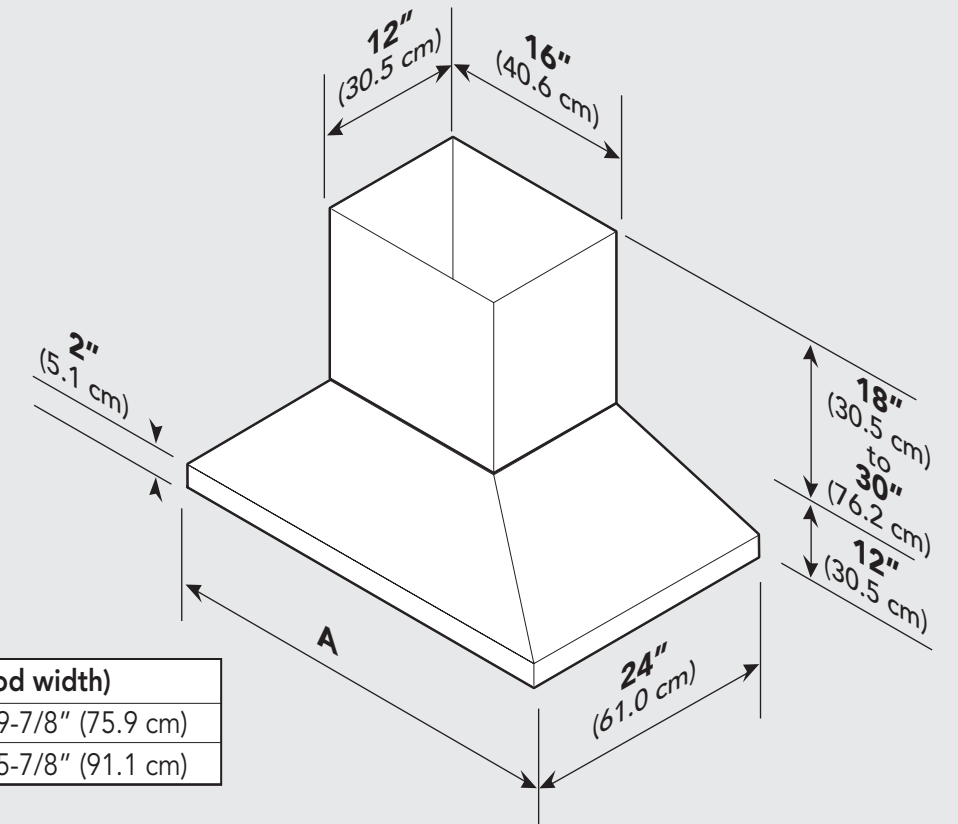
TO REDUCE THE RISK OF FIRE, ELECTRICAL SHOCK, OR INJURY TO PERSONS

Range hoods must be installed with the ventilators that are specified on their carton indicating suitability with this model. Other ventilators cannot be substituted.



Dimensions & Specifications

(RDWHC Classic Chimney Wall Hoods w/Standard Ventilator)



A (Hood width)	
30"W.	29-7/8" (75.9 cm)
36"W.	35-7/8" (91.1 cm)

NOTE: Duct cover included.

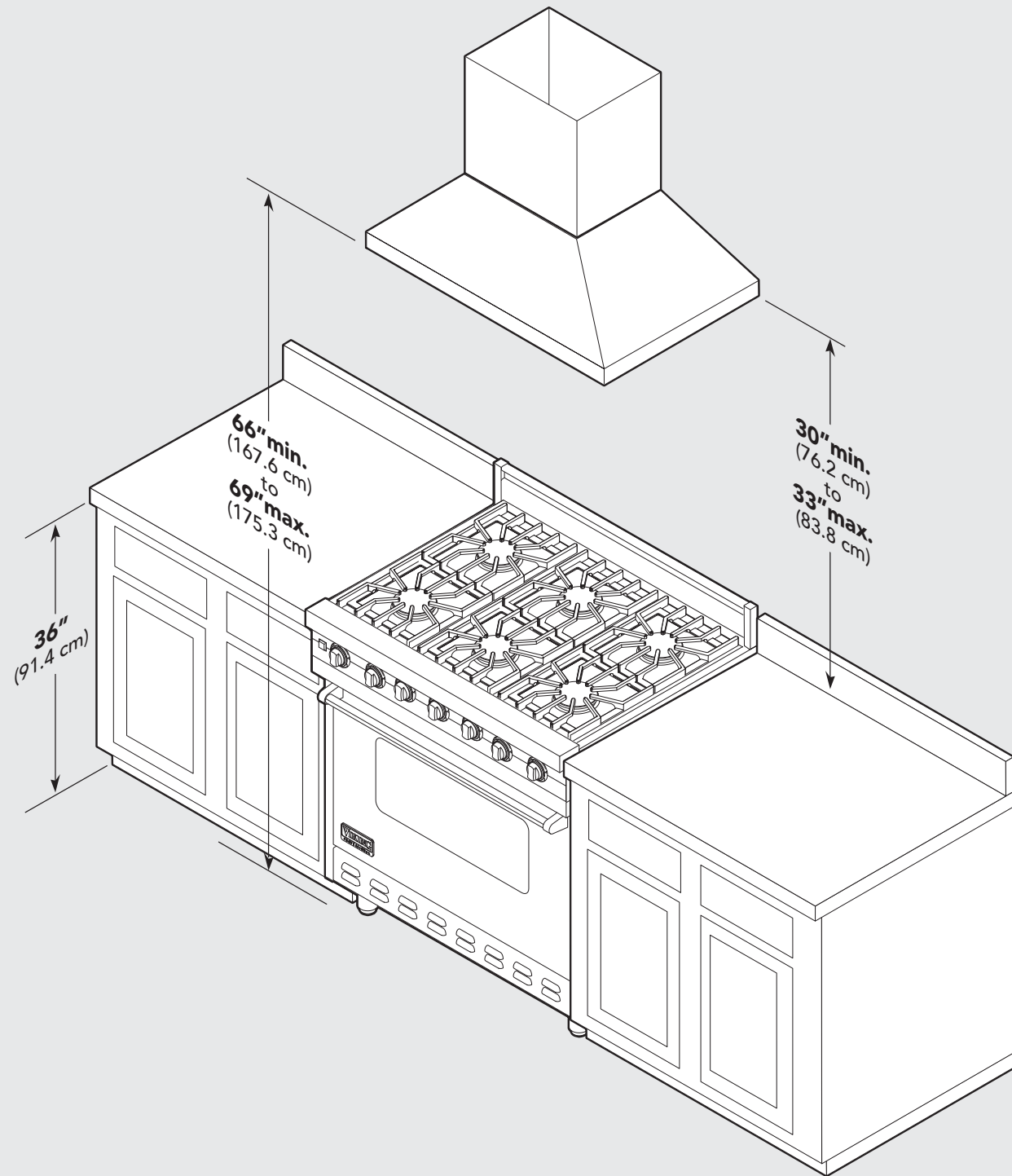
RDWHC Classic Chimney Wall Hoods w/Standard Ventilator		
Description	30"	36"
Duct cover width	16" (40.6 cm)	
Duct cover depth	12" (30.5 cm)	
Duct cover height	18" (45.7 cm) to 30" (76.2 cm)	
Number of lights	2	
Number of filters	2	
Interior ventilator kit	460 CFM	
Interior duct size*	7" (17.8 cm)	
Interior—Maximum amps	5.6	

* Disregard when using recirculating kits.
460 CFM blower is shipped with hood.

NOTE: All products must be hard wired with 2-wire with ground.

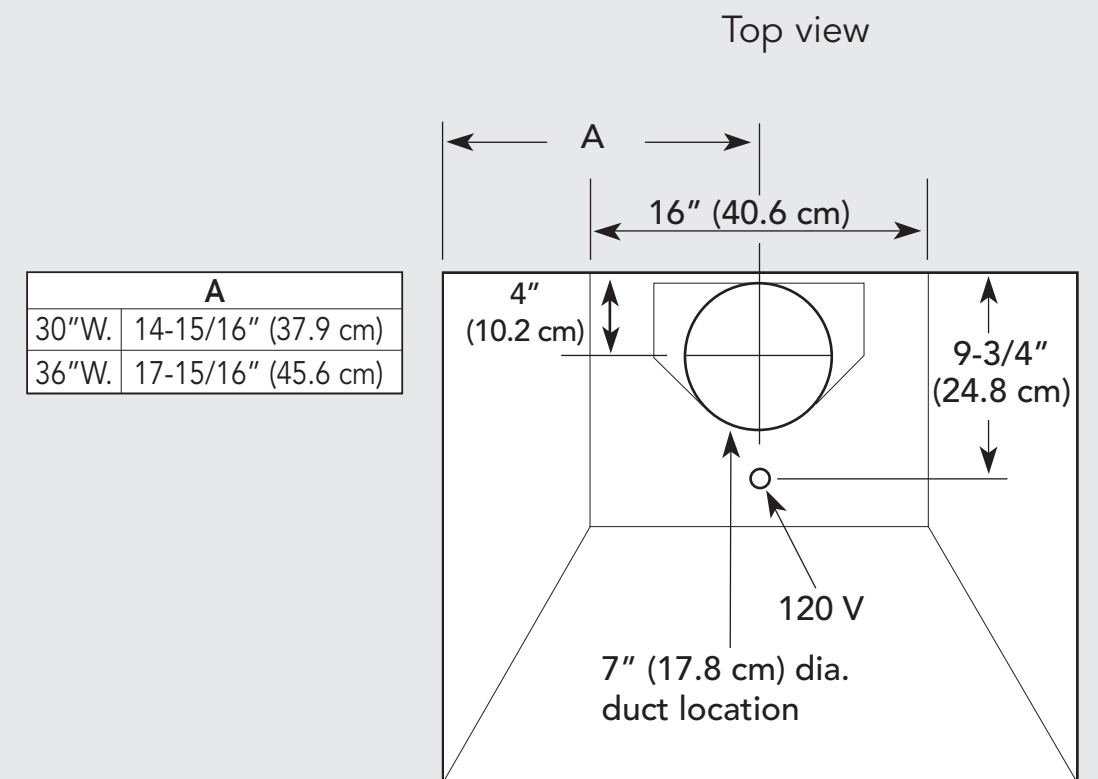
Clearance Dimensions

(RDWHC Classic Chimney Wall Hoods w/Standard Ventilator)



Interior Ventilator Dimensions

(RDWHC Classic Chimney Wall Hoods w/Standard Ventilator)



460 CFM Interior Ventilator Installation

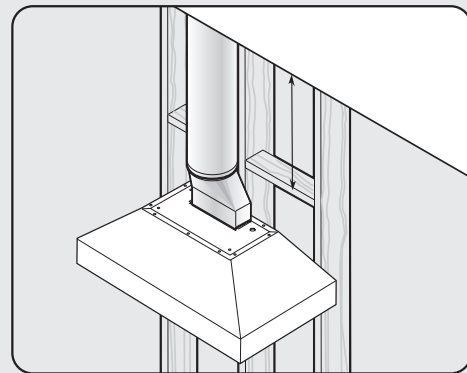
Planning Information

Plan where the duct work will be located. Install proper-sized duct work, roof, or wall cap for the type of blower you are using. Adjust your measurements for various heights of ceilings, soffits, cabinets, or ranges/rangetops.

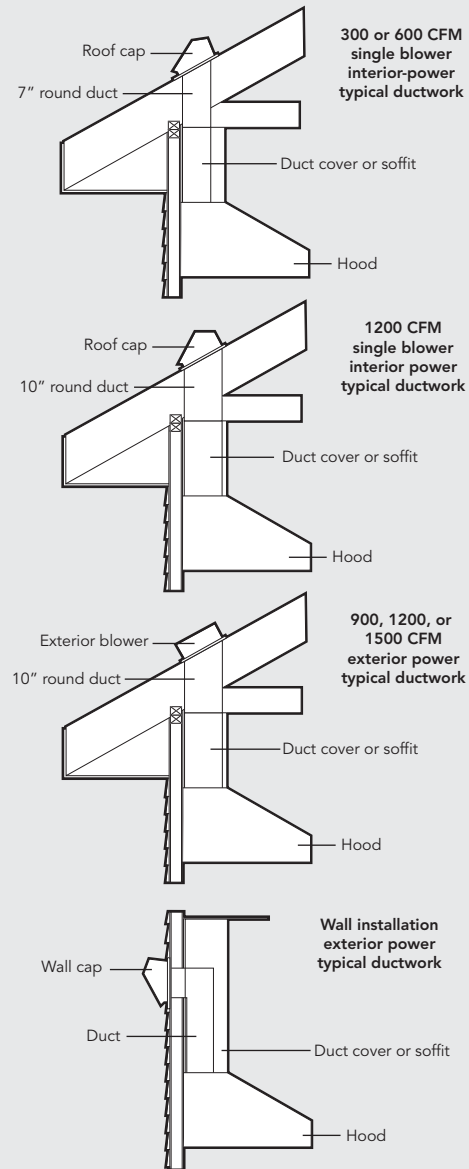
Proper installation of ducting is extremely important to ensure maximum performance from any ventilation product.

- All CFMs are based on tests at 0.1 static pressure: without applying static pressure, CFM would be greatly overstated.
- Straight runs and gradual turns are best; for example, each 90° elbow is equivalent to 5-10 feet (1.52-3.05 m) of straight run.
- Never use flexible duct; it creates back pressure/air turbulence and greatly reduces performance.
- Proper performance is dependent on proper ducting; make sure that a qualified and trained installer is used.
- Check with a qualified and trained installer or local codes for makeup air requirement, if any.
- Max. amp rating for hoods includes recommended ventilator kit rating; all products must be hard wired direct with 2-wire with ground.

Check Framing



NOTE: Because of the weight of the hood make sure that the mounting screws are driven into the framing and not just the drywall. It may be necessary to drill additional holes in the canopy for proper alignment. Some hoods require a locally supplied wood strip for mounting. Check installation procedure of your hood on page 10 to determine if a wood strip is required.

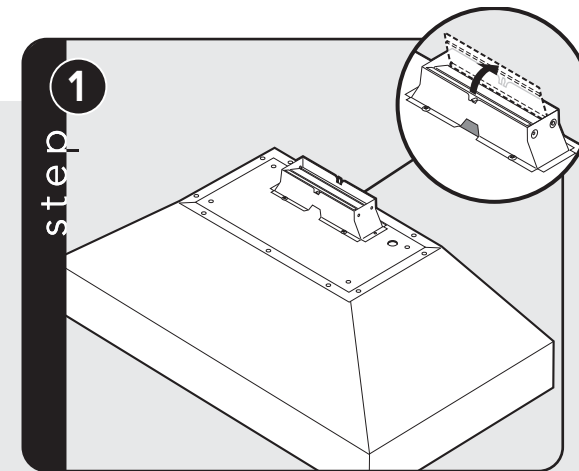


NOTE: Wall exhaust must be a minimum of 24" (61.0 cm) from ground. This may vary depending on local codes and geographic location.

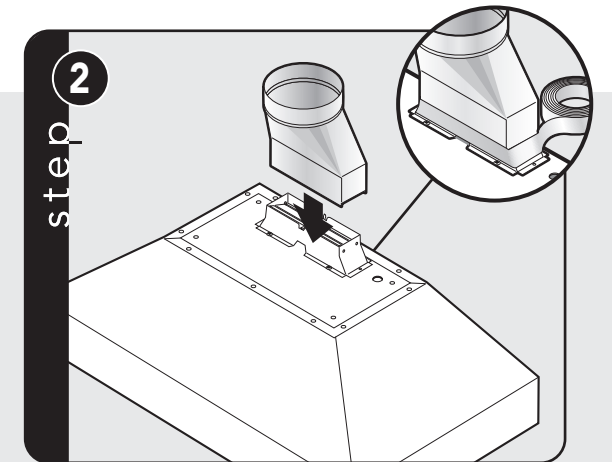
Electrical Supply

Run 120 VAC electrical wiring from service panel to installation location. See specification pages for the maximum amp requirements.

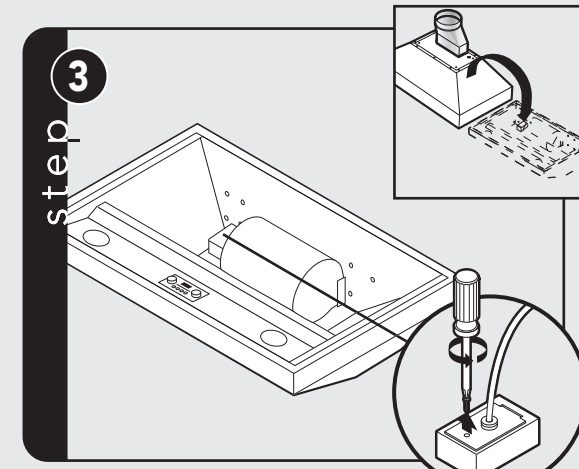
Installation (RDWHC Classic Chimney Wall Hoods w/Standard Ventilator)



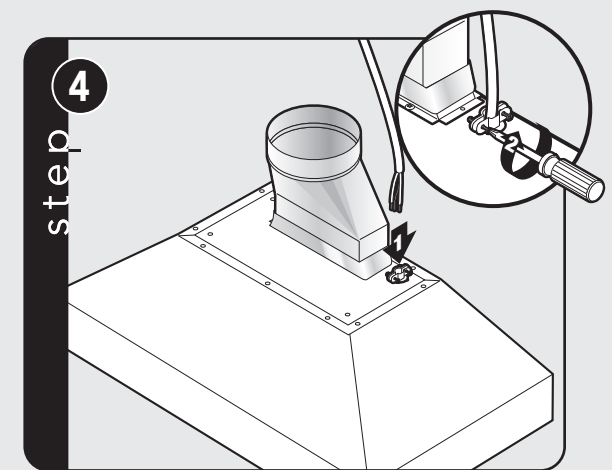
Check damper for unrestricted movement, adjust if necessary.



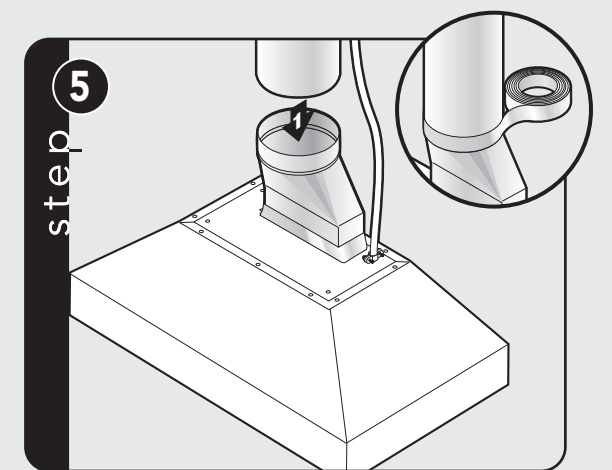
Attach transition to damper. Seal with aluminum tape.



Flip hood over and remove electrical box cover.



Insert 6" of electrical wiring through the top of vent hood and secure using wiring restraint. Refer to local codes.

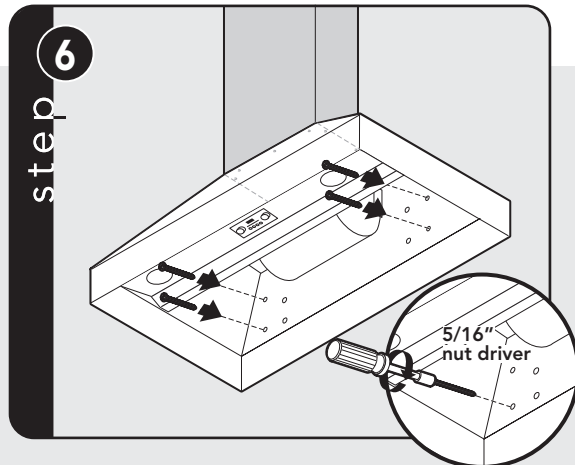


Slide duct over transition and tape around joint.

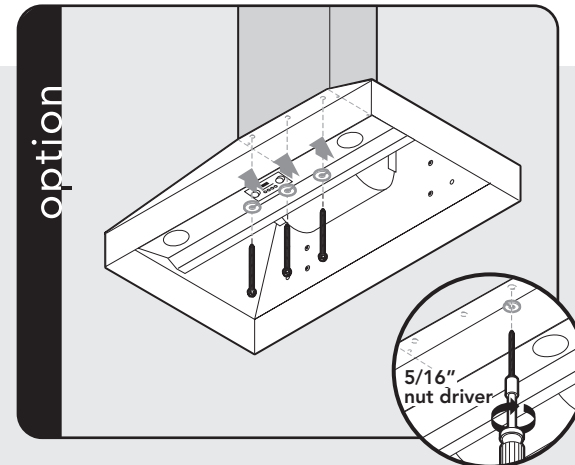
⚠ WARNING

TO REDUCE THE RISK OF FIRE, ELECTRIC SHOCK, OR INJURY TO PERSONS, OBSERVE THE FOLLOWING

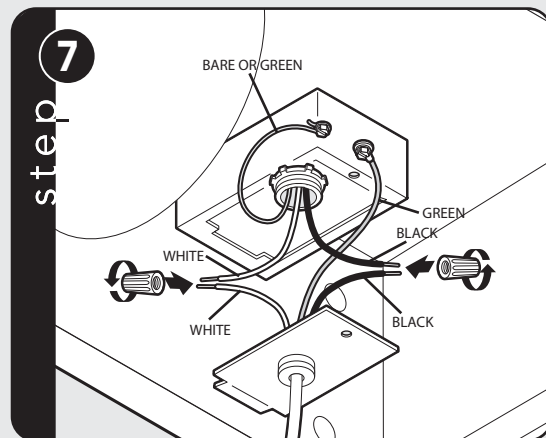
- Use this unit only in the manner intended by the manufacturer. If you have any questions, contact the manufacturer.
- Before servicing or cleaning unit, switch power off at service panel and lock service panel to prevent power from being switched on accidentally. When the service disconnecting means cannot be locked, securely fasten a prominent warning device, such as a tag, to the service panel.



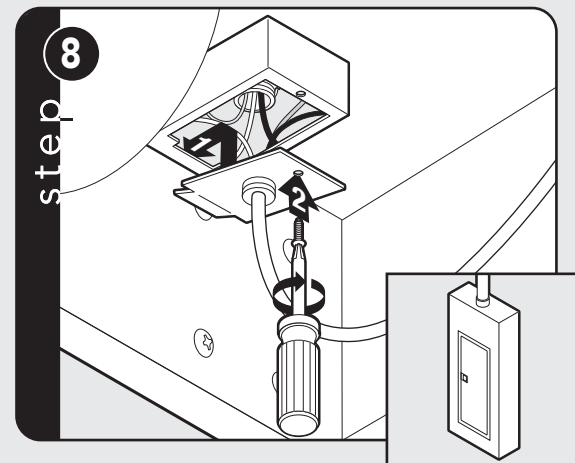
CAUTION: Secure vent hood to wall using screws provided. Use additional mounting screws and wall anchors, if necessary.



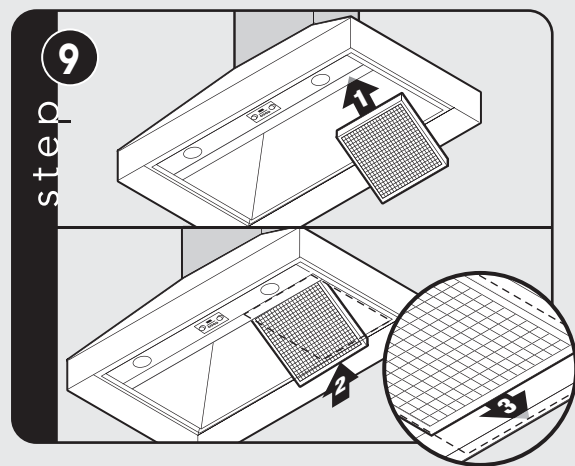
CAUTION: If not using a duct cover, using screws provided make sure top mounting screws are secured into soffit or cabinet frame. Use additional mounting screws, if necessary.



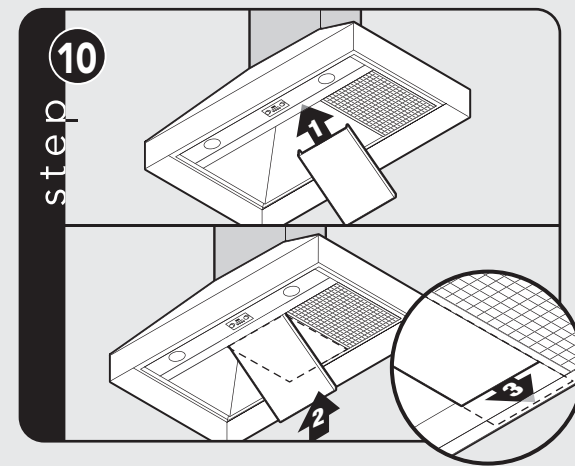
Connect black to black, white to white, and the green/bare wire under the green screw.
NOTE: Housing wiring must be properly installed for wiring to be correct when wiring unit.



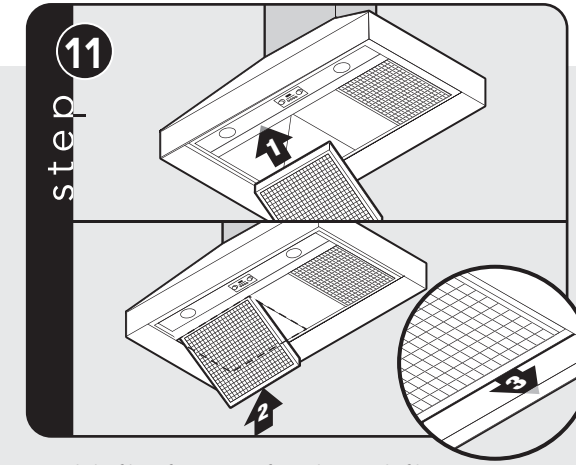
Replace electrical box cover. Make connection to breaker box.



Slide filter front over front lip. Push filter rear up, then slide back over rear lip.

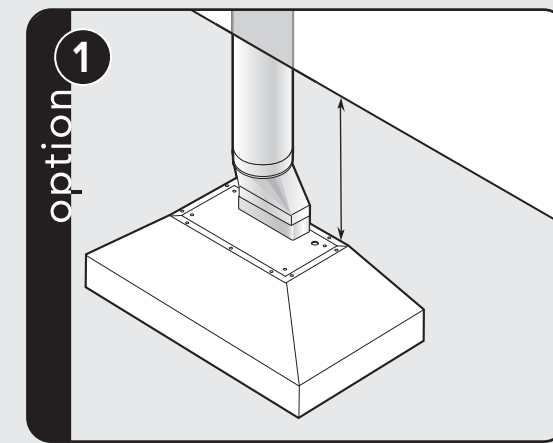


Slide spacer front over front lip. Push spacer rear up, then slide back over rear lip.

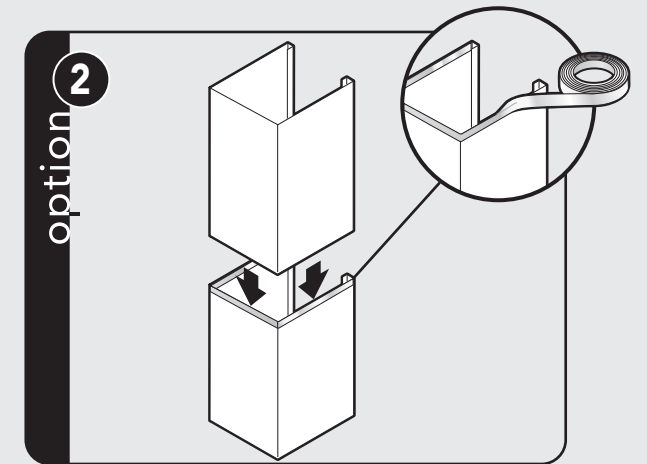


Slide filter front over front lip. Push filter rear up, then slide back over rear lip.

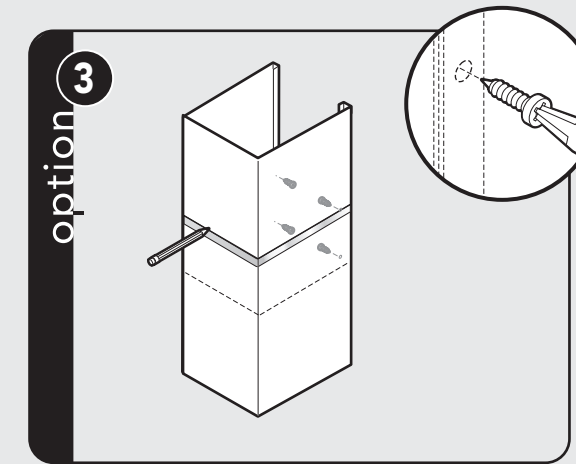
Duct Cover (RDWHC Classic Chimney Wall Hoods w/Standard Ventilator)



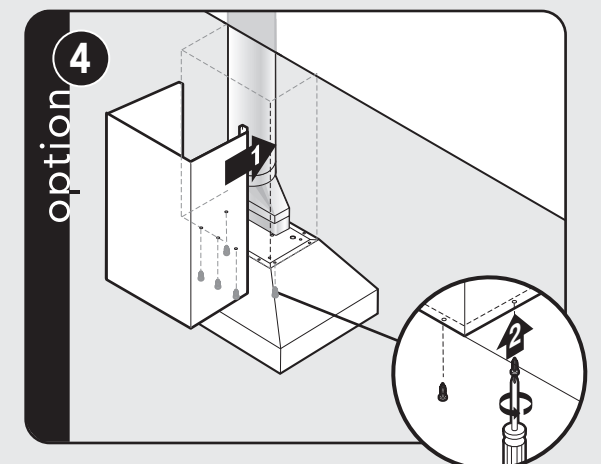
Measure distance from ceiling to canopy.



Tape to avoid scratching.

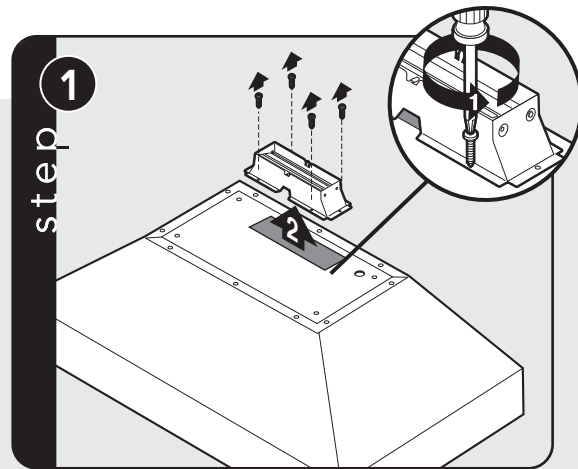


Place duct cover top inside duct cover base and lower until desired height is found. Mark height. Use the retaining nuts and bolts to fasten in place from the inside and remove tape.

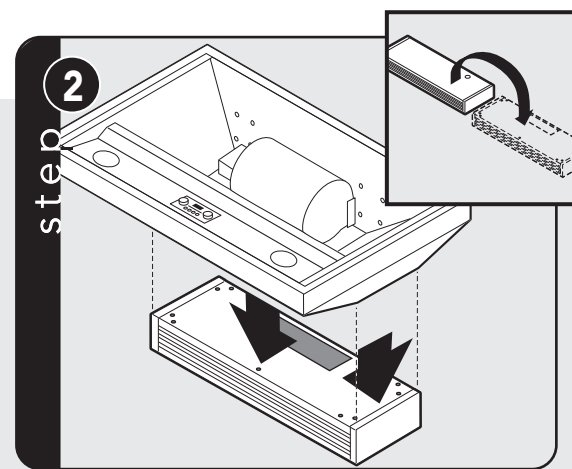


Slide duct cover in place and fasten from inside canopy using the sheet metal screws provided.

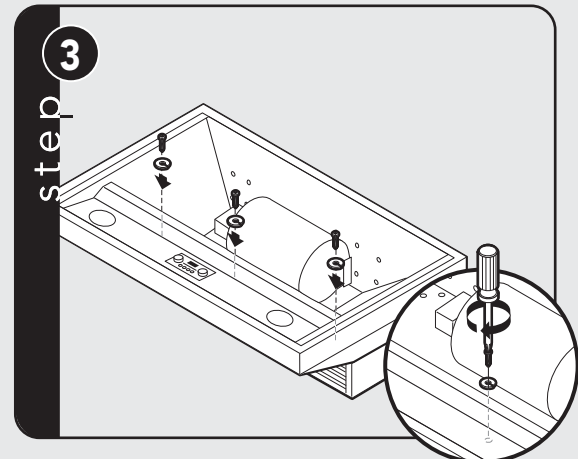
Installation (RDWHC Classic Chimney Wall Hoods w/Recirculating Kit)



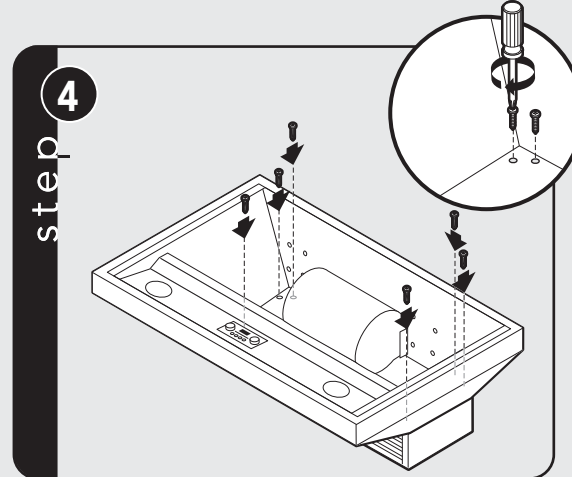
Remove damper and discard with transition.



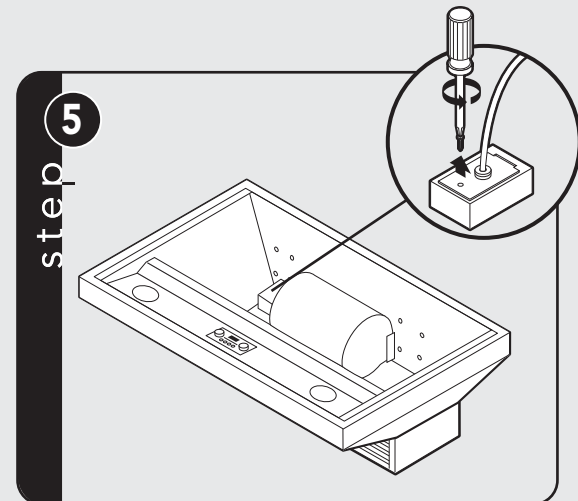
Turn recirculating unit upside down. Place vent hood upside down on recirculating unit.



Attach with screws and lock washers provided.



Attach with screws.

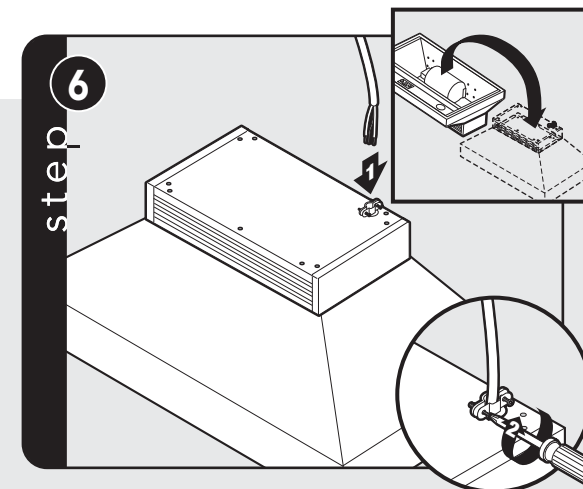


Remove electrical box cover.

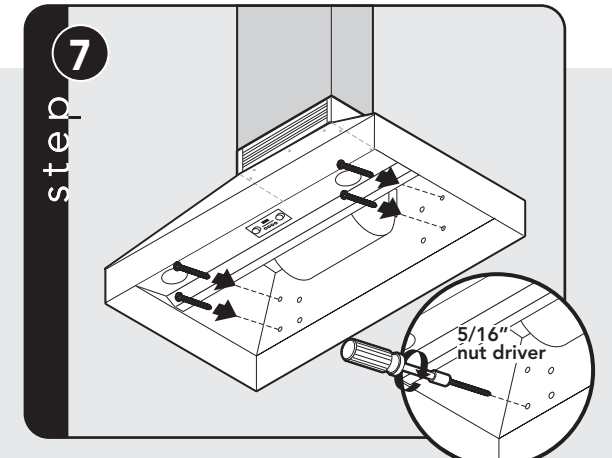
⚠ WARNING

TO REDUCE THE RISK OF FIRE, ELECTRIC SHOCK, OR INJURY TO PERSONS, OBSERVE THE FOLLOWING

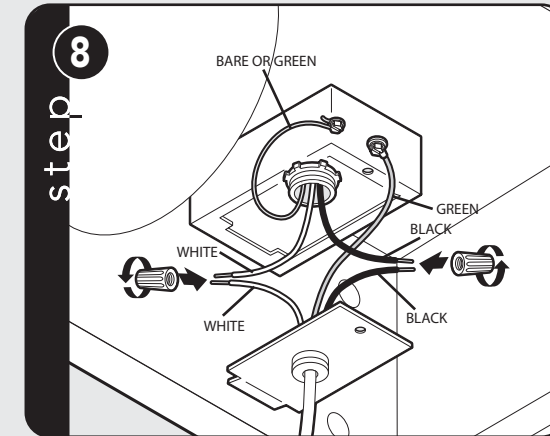
- Use this unit only in the manner intended by the manufacturer. If you have any questions, contact the manufacturer.
- Before servicing or cleaning unit, switch power off at service panel and lock service panel to prevent power from being switched on accidentally. When the service disconnecting means cannot be locked, securely fasten a prominent warning device, such as a tag, to the service panel.



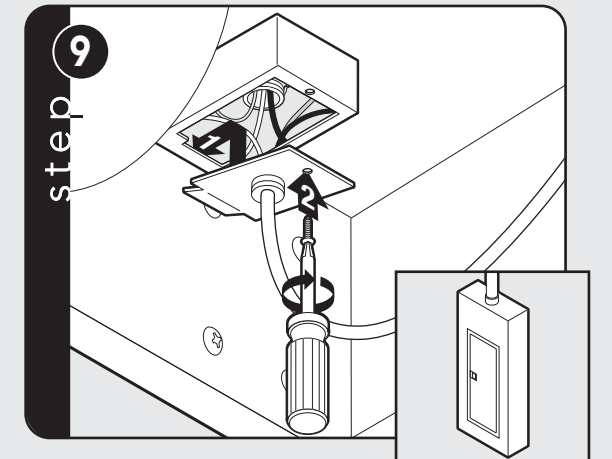
Flip hood over. Insert 6" of electrical wiring through the top of vent hood and secure using wiring restraint. Refer to local codes.



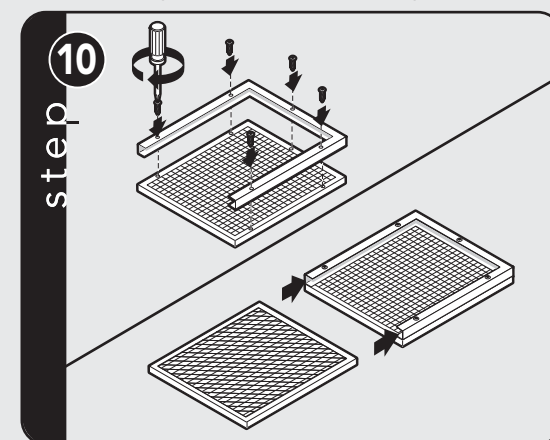
CAUTION: Secure vent hood. Make sure mounting screws are secured into framing using additional mounting screws and wall anchors, if necessary.



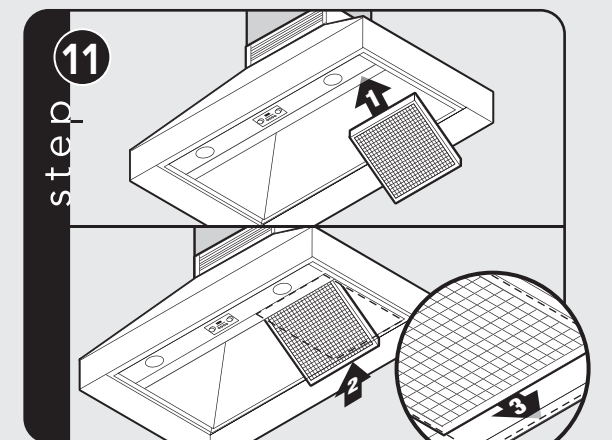
Connect black to black, white to white, and the green/bare wire under the green screw.
NOTE: Housing wiring must be properly installed for wiring to be correct when wiring unit.



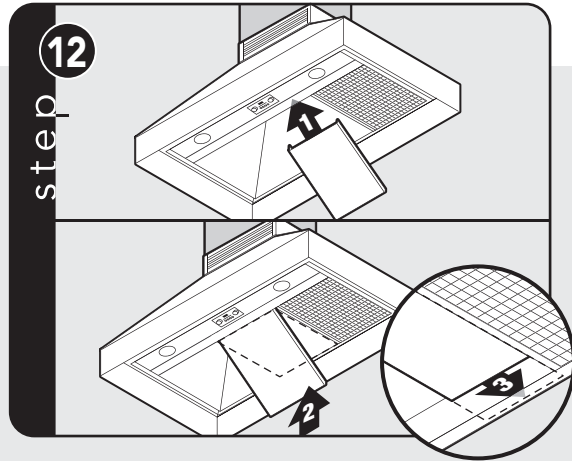
Replace electrical box cover. Make connection to breaker box.



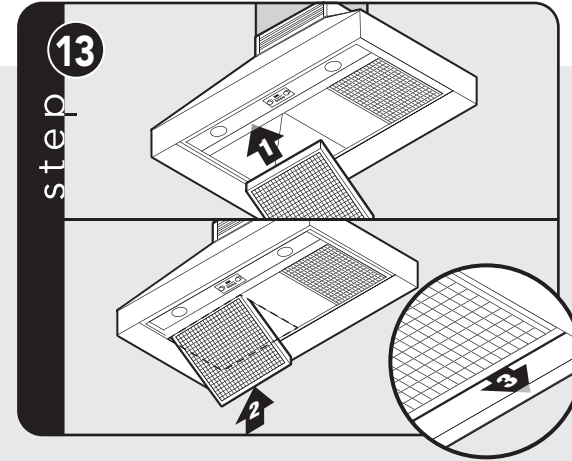
Assemble brackets to mesh filters and insert charcoal filters.



Slide filter front over front lip. Push filter rear up, then slide back over rear lip.



Slide spacer front over front lip. Push spacer rear up, then slide back over rear lip.



Slide filter front over front lip. Push filter rear up, then slide back over rear lip.

Service & Registration

Service & Parts

Only authorized replacement parts may be used in performing service on the appliance. **DO NOT** repair or replace any part of the appliance unless specifically recommended in the manual. All other servicing should be referred to a qualified technician.

Record the following information indicated below. You will need it if service is ever required. The serial number and model number for your appliance are located on the identification plate mounted on the inside of the hood canopy.

Model number

Serial number

Date of purchase

Date installed

Dealer's name

Address
