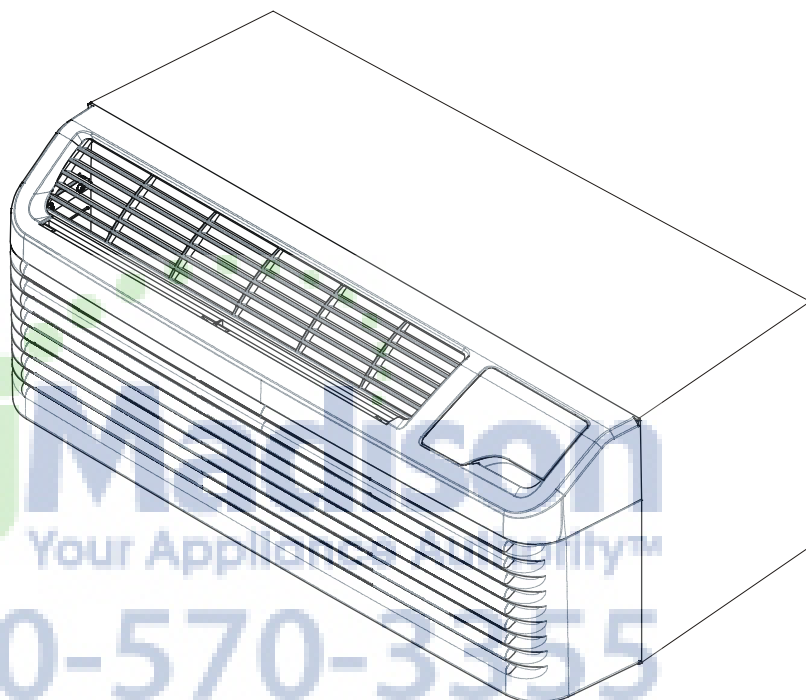


# REPAIR PARTS

## PTC Series R410A PTAC Coolers

PTC073E00AXXXAB  
PTC073E25AXXXAB  
PTC073E35AXXXAB  
PTC093E25AXXXAB  
PTC093E35AXXXAB  
PTC093E35RXXXAB  
PTC123E00AXXXAB  
PTC123E25AXXXAB  
PTC123E35AXXXAB  
PTC123E35CXXXAB  
PTC123E35RXXXAB  
PTC153E00AXXXAA  
PTC153E25AXXXAA  
PTC153E35AXXXAA  
PTC153E50AXXXAA



This manual is to be used by qualified technicians only.

© 2009 Goodman Manufacturing Company, L.P. ♦ 5151 San Felipe, Suite 500 ♦ Houston, TX 77056

# Important Information

---

## Index

|                              |        |
|------------------------------|--------|
| Functional Parts List .....  | 3      |
| Illustration and Parts ..... | 4 - 13 |

*Views shown are for parts illustrations only, not servicing procedures.*

This system uses R410A refrigerant. If sealed system work is required, use approved equipment and follow service procedures. Refer to Service Manual or Installation Instructions for service procedures.

### Text Codes:

AR - As Required

NA - Not Available

NS - Not Shown

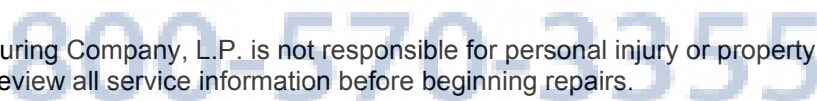
00000000 - See Note

QTY - Quantity Example (QTY 3) (If Quantity not shown, Quantity = 1)

M - Model Example (M1) (If M Code not shown, then part is used on all Models)

### Expanded Model Nomenclature:

|   |
|---|
| Example<br>M1 - Model#1<br>M2 - Model#2<br>M3 - Model#3 |
|---|



Goodman Manufacturing Company, L.P. is not responsible for personal injury or property damage resulting from improper service. Review all service information before beginning repairs.

Warranty service must be performed by an authorized technician, using authorized factory parts. If service is required after the warranty expires, Goodman Manufacturing Company, L.P. also recommends contacting an authorized technician and using authorized factory parts.

Goodman Manufacturing Company, L.P. reserves the right to discontinue, or change at any time, specifications or designs without notice or without incurring obligations.

For assistance within the U.S.A. contact:  
Consumer Affairs Department  
Goodman Manufacturing Company, L.P.  
7401 Security Way  
Houston, Texas 77040  
877-254-4729-Telephone  
713-863-2382-Facsimile

For assistance outside the U.S.A. contact:  
International Division  
Goodman Manufacturing Company, L.P.  
7401 Security Way  
Houston, Texas 77040  
713-861-2500-Telephone  
713-863-2382-Facsimile

# Functional Parts

## Part

## No: Description:

|                |  |
|----------------|--|
| CAP030300440RS | CAP, 3/30 MFD/440V/DUAL RD                 |
| CAP020000440P  | CAPACITOR, 440V                            |
| 44A282A        | COMPRESSOR, RECHI (M1, M2, M3, M4, M5)     |
| 50A362Q        | COMPRESSOR, RECHI (M6, M7, M8, M9)         |
| PCBCP131       | CONTROL BOARD M61                          |
| 0131P00007     | FAN MOTOR, INDOOR (M6, M7, M8, M9)         |
| 0131P00006     | FAN MOTOR, INDOOR (M1, M2, M3, M4, M5)     |
| 0131P00008     | FAN MOTOR, OUTDOOR (M6, M7, M8, M9)        |
| 0131P00014     | FAN MOTOR, OUTDOOR (M1, M2, M3, M4, M5)    |
| 0275P00002     | HEATER ASSY (M2, M7)                       |
| 0275P00001     | HEATER ASSY (M9)                           |
| 0275P00000     | HEATER ASSY (M3, M4, M5, M8)               |
| 0275P00007     | HEATER MODULE 0.0KW 230/208V (M1, M6)      |
| 0275P00005     | HEATER MODULE 2.5KW 230/208V (M2, M7)      |
| 0275P00003     | HEATER MODULE 3.5 KW 230V (M3, M4, M5, M8) |
| 0275P00004     | HEATER MODULE 5.0KW 230/208V (M9)          |
| 60343503       | OVERLOAD PROTECTOR (M1, M2, M3, M4, M5)    |
| 60343546       | OVERLOAD PROTECTOR (M6, M7, M8, M9)        |
| 0130M00066     | SWITCH, HIGH PRESS                         |
| 20295711       | THERMISTOR (M5)                            |
| 0130P00038     | THERMISTOR-DISCHARGE                       |
| 0130P00047     | THERMISTOR-INDOOR AMBIENT                  |
| 0130P00033     | THERMISTOR-INDOOR COIL                     |
| 0130P00039     | THERMISTOR-OUTDOOR AMBIENT (M5)            |
| 20512501       | TRANSFORMER (HYDRONIC)                     |

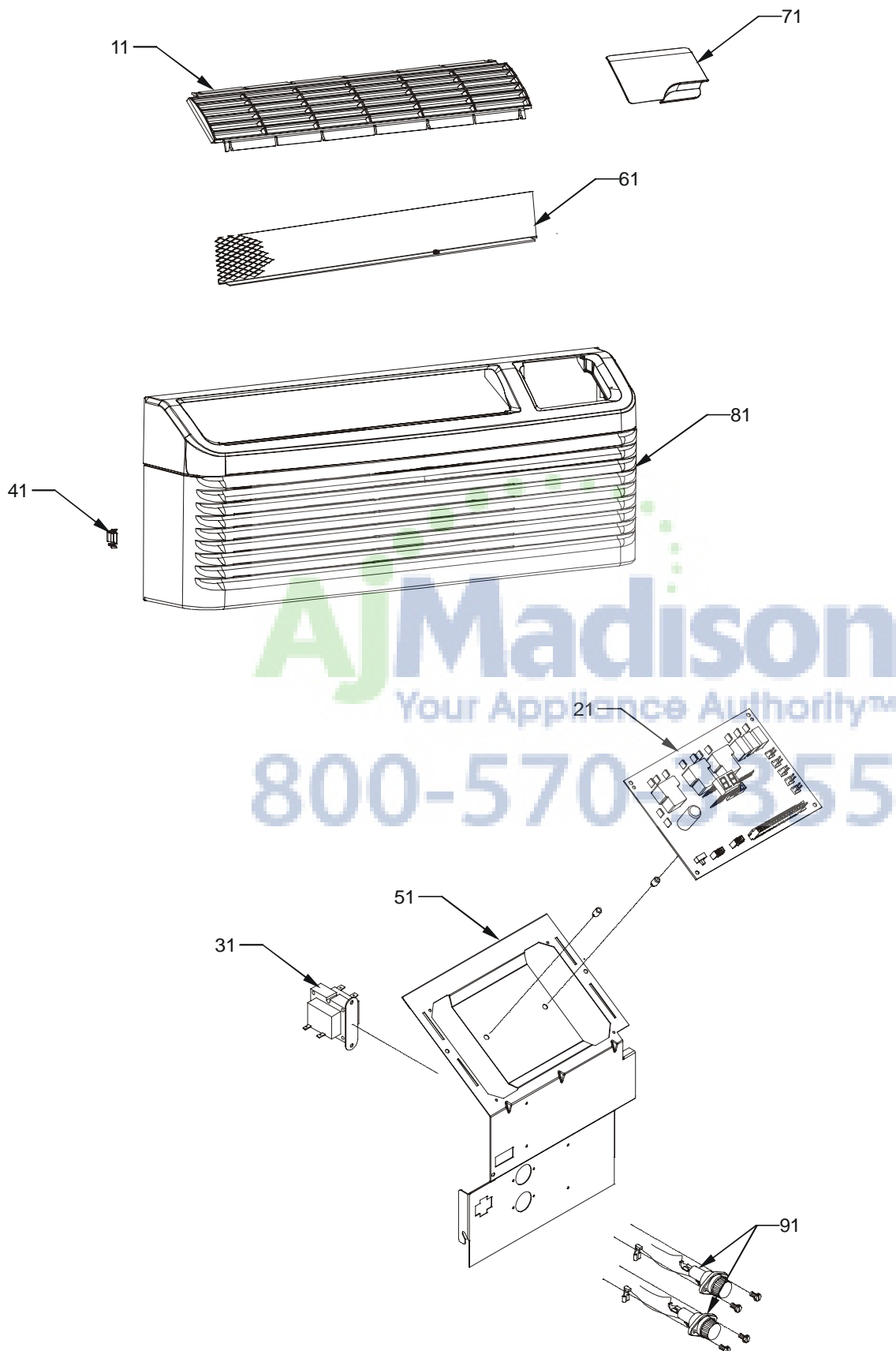
### SPECIAL PARTS

|         |                    |
|---------|--------------------|
| IO-723  | INSUL OWNER MANUAL |
| IO-728A | INSUL, INSTALL     |

### Expanded Model Nomenclature

|                      |
|----------------------|
| M1 - PTC123E00AXXXAB |
| M2 - PTC123E25AXXXAB |
| M3 - PTC123E35AXXXAB |
| M4 - PTC123E35CXXXAB |
| M5 - PTC123E35RXXXAB |
| M6 - PTC153E00AXXXAA |
| M7 - PTC153E25AXXXAA |
| M8 - PTC153E35AXXXAA |
| M9 - PTC153E50AXXXAA |

# Front Assy



**AjMadison**  
Your Appliance Authority™  
800-570-3555

# Front Assy

| Ref. Part No: | No: | Description: | Ref. Part No: | No: | Description: |
|---------------|-----|--------------|---------------|-----|--------------|
|---------------|-----|--------------|---------------|-----|--------------|

Image 1:

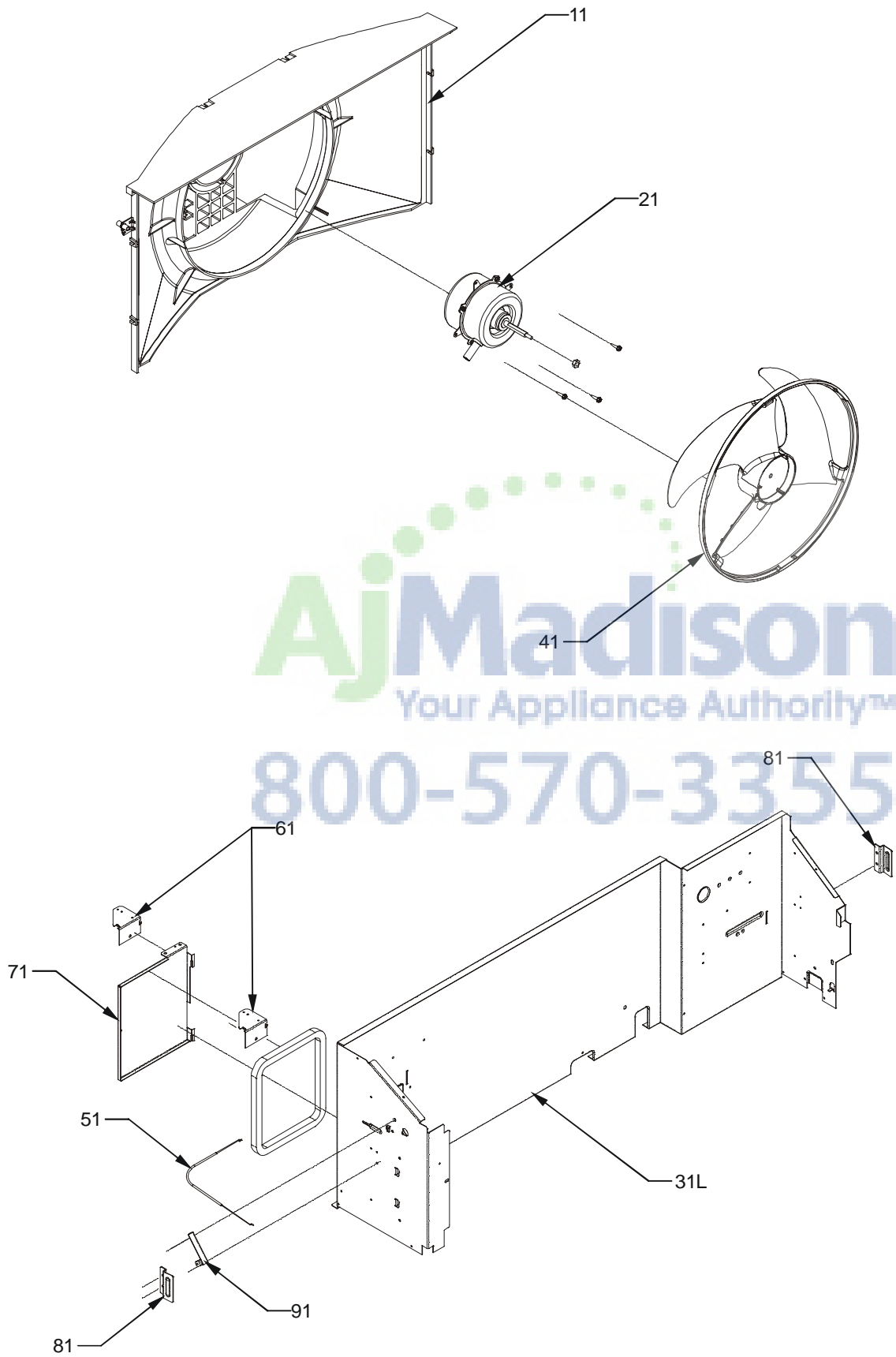
|    |              |                        |
|----|--------------|------------------------|
| 11 | 0161P00033   | FRONT-DICHARGE LOUVERS |
| 21 | PCBCP131     | CONTROL BOARD M61      |
| 31 | 20512501     | TRANSFORMER (HYDRONIC) |
| 41 | 0163P00025   | CLIP (QTY 2)           |
| 51 | 0121P00001P  | CONTROL PANEL COVER    |
| 61 | 0121P00073DG | DISCHARGE SCREEN, PNT  |
| 71 | 0261P00003   | DOOR ASSY -AMANA-      |
| 71 | 0161P00034   | DOOR, ACCESS           |
| 81 | 0261P00006   | FRONT ASSY             |
| NS | 1261401      | DIGITENNA (M5)         |

Expanded Model Nomenclature

- M1 - PTC123E00AXXXAB
- M2 - PTC123E25AXXXAB
- M3 - PTC123E35AXXXAB
- M4 - PTC123E35CXXXAB
- M5 - PTC123E35RXXXAB
- M6 - PTC153E00AXXXAA
- M7 - PTC153E25AXXXAA
- M8 - PTC153E35AXXXAA
- M9 - PTC153E50AXXXAA



# Chassis Control Panel



**AjMadison**  
Your Appliance Authority™  
800-570-3355

# Chassis Control Panel

| Ref. Part No: | No: | Description: | Ref. Part No: | No: | Description: |
|---------------|-----|--------------|---------------|-----|--------------|
|---------------|-----|--------------|---------------|-----|--------------|

Image 1:

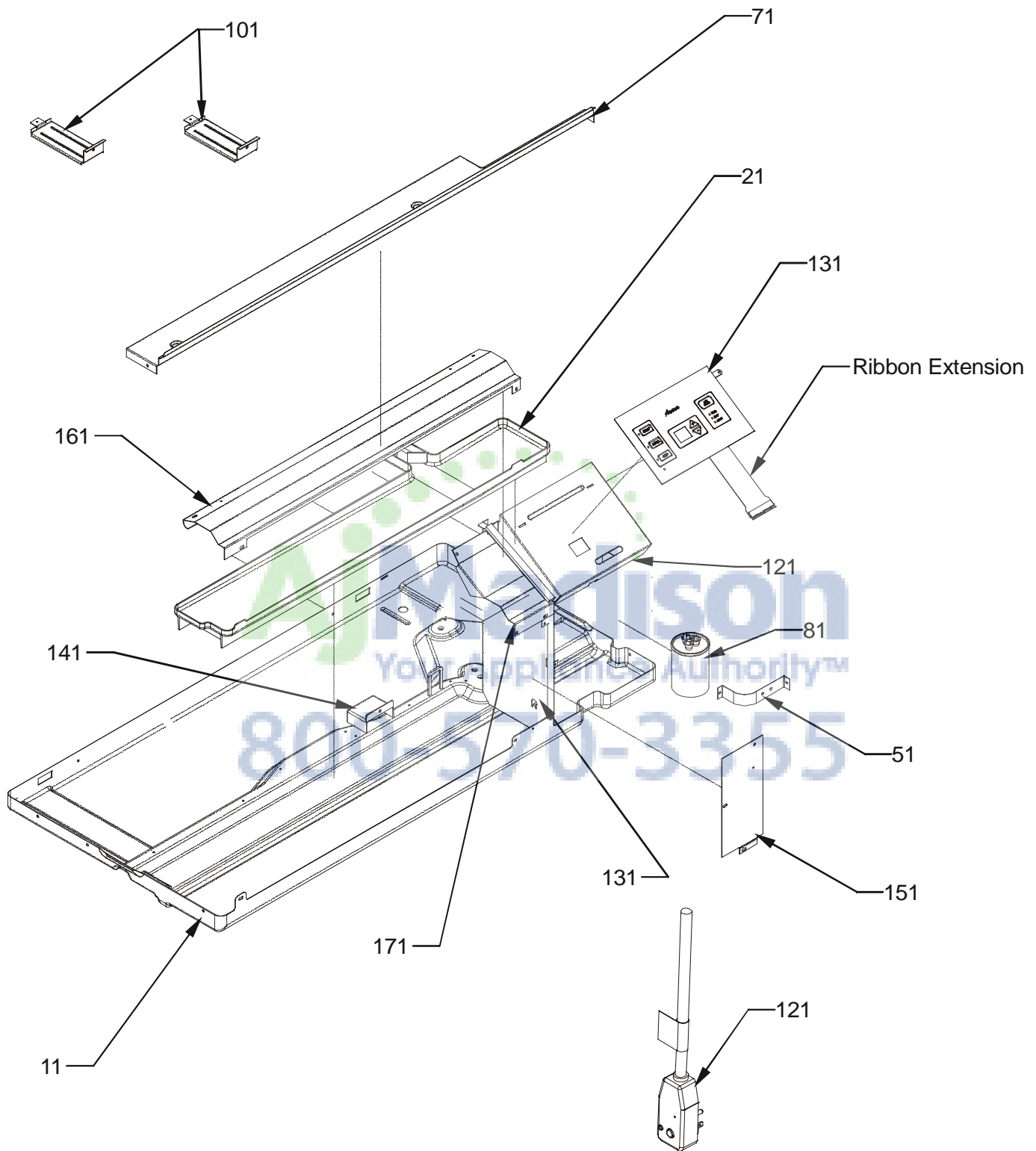
|    |              |   |
|----|--------------|---|
| 11 | 0161P00026   | SHROUD, CONDENSER                       |
| 21 | 0131P00008   | FAN MOTOR, OUTDOOR (M6, M7, M8, M9)     |
| 21 | 0131P00014   | FAN MOTOR, OUTDOOR (M1, M2, M3, M4, M5) |
| 31 | 0121P00057DG | PARTITION PANEL PNT                     |
| 41 | 0161P00030   | FAN, CONDENSER                          |
| 71 | 11046105PDG  | VENT DOOR                               |
| 81 | 11191703     | PARTITION PANEL BRACKET (QTY 2)         |
| 91 | 11046302     | LEVER ARM                               |

Expanded Model Nomenclature

- M1 - PTC123E00AXXXAB
- M2 - PTC123E25AXXXAB
- M3 - PTC123E35AXXXAB
- M4 - PTC123E35CXXXAB
- M5 - PTC123E35RXXXAB
- M6 - PTC153E00AXXXAA
- M7 - PTC153E25AXXXAA
- M8 - PTC153E35AXXXAA
- M9 - PTC153E50AXXXAA



# Partition Assy





# Partition Assy

| Ref. Part No: | No: | Description: | Ref. Part No: | No: | Description: |
|---------------|-----|--------------|---------------|-----|--------------|
|---------------|-----|--------------|---------------|-----|--------------|

Image 1:

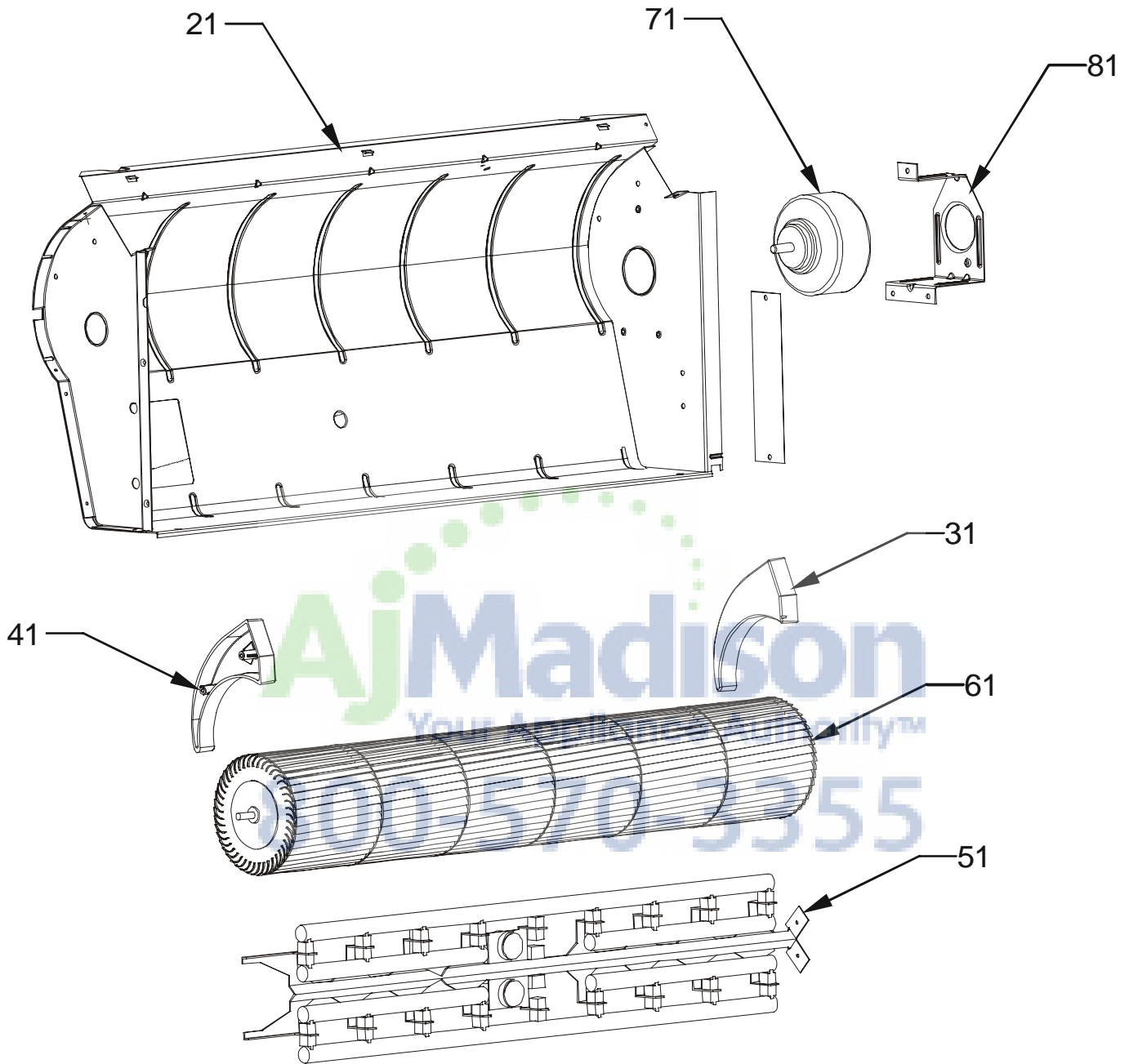
|     |                |                            |
|-----|----------------|----------------------------|
| 11  | 0121P00056DG   | BASEPAN, PNT               |
| 21  | 0161P00023     | PLASTIC-DRAIN PAN          |
| 51  | C6300502       | CAPACITOR STRAP            |
| 61  | 20410801       | ACCESS COVER               |
| 71  | 0121P00063DG   | TOP, PARTITION PANEL       |
| 81  | CAP030300440RS | CAP, 3/30 MFD/440V/DUAL RD |
| 81  | CAP020000440P  | CAPACITOR, 440V            |
| 131 | 20403301       | MID PARTITION PANEL        |
| 141 | 0161P00016     | PLASTIC-HOOD               |
| 161 | 0121P00061DG   | CUTOFF-SCROLL DG           |
| 171 | 0121P00070DG   | COVER, MOTOR PNT           |

Expanded Model Nomenclature

- M1 - PTC123E00AXXXAB
- M2 - PTC123E25AXXXAB
- M3 - PTC123E35AXXXAB
- M4 - PTC123E35CXXXAB
- M5 - PTC123E35RXXXAB
- M6 - PTC153E00AXXXAA
- M7 - PTC153E25AXXXAA
- M8 - PTC153E35AXXXAA
- M9 - PTC153E50AXXXAA



# Indoor Assy



# Indoor Assy

| Ref. Part No: | Part No: | Description: | Ref. Part No: | Part No: | Description: |
|---------------|----------|--------------|---------------|----------|--------------|
|---------------|----------|--------------|---------------|----------|--------------|

Image 1:

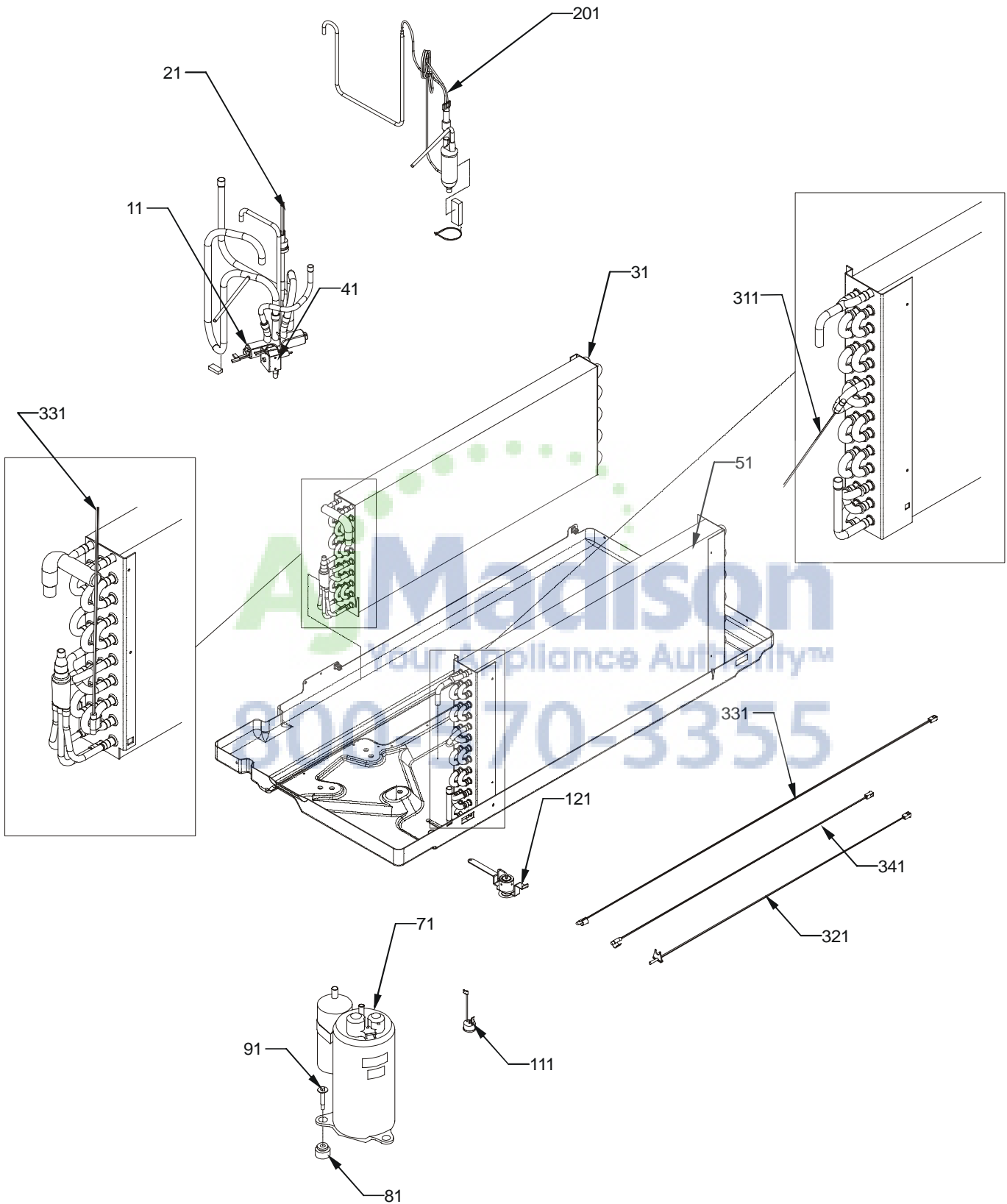
|    |              |  |
|----|--------------|--|
| 21 | 0270P00938DG | SCROLL ASSY, PNT                           |
| 31 | 0161P00021   | END CAP, RIGHT                             |
| 31 | 0130P00054   | MEMBRANE (CONTROL)                         |
| 41 | 0161P00022   | END CAP, LEFT                              |
| 51 | 0275P00000   | HEATER ASSY (M3, M4, M5, M8)               |
| 51 | 0275P00001   | HEATER ASSY (M9)                           |
| 51 | 0275P00002   | HEATER ASSY (M2, M7)                       |
| 51 | 0275P00007   | HEATER MODULE 0.0KW 230/208V (M1, M6)      |
| 51 | 0275P00005   | HEATER MODULE 2.5KW 230/208V (M2, M7)      |
| 51 | 0275P00003   | HEATER MODULE 3.5 KW 230V (M3, M4, M5, M8) |
| 51 | 0275P00004   | HEATER MODULE 5.0KW 230/208V (M9)          |
| 61 | 0150P00003   | WHEEL, BLOWER                              |
| 71 | 0131P00006   | FAN MOTOR, INDOOR (M1, M2, M3, M4, M5)     |
| 71 | 0131P00007   | FAN MOTOR, INDOOR (M6, M7, M8, M9)         |
| 81 | 0121P00048   | BRACKET-MOTOR MOUNT                        |

Expanded Model Nomenclature

- M1 - PTC123E00AXXXAB
- M2 - PTC123E25AXXXAB
- M3 - PTC123E35AXXXAB
- M4 - PTC123E35CXXXAB
- M5 - PTC123E35RXXXAB
- M6 - PTC153E00AXXXAA
- M7 - PTC153E25AXXXAA
- M8 - PTC153E35AXXXAA
- M9 - PTC153E50AXXXAA



# Tubing Assy



# Tubing Assy

| Ref. Part No: No: | Description: | Ref. Part No: No: | Description: |
|-------------------|--------------|-------------------|--------------|
|-------------------|--------------|-------------------|--------------|

Image 1:

|     |              |   |
|-----|--------------|---|
| 21  | 0130M00066   | SWITCH, HIGH PRESS                              |
| 31  | 0202P00065   | EVAP ASSY, 5/16, 3 ROW                          |
| 51  | 0201P00079DG | COND ASSY PNT                                   |
| 71  | 44A282A      | COMPRESSOR, RECHI (M1, M2, M3, M4, M5)          |
| 71  | 50A362Q      | COMPRESSOR, RECHI (M6, M7, M8, M9)              |
| 81  | A3448602     | COMPRESSOR GROMMET (M6, M7, M8, M9)             |
| 81  | 60140209     | GROMMET - RECHI COMPRESSOR (M1, M2, M3, M4, M5) |
| 91  | M0227803     | SCREW-TC (QTY 3)                                |
| 111 | 60343503     | OVERLOAD PROTECTOR (M1, M2, M3, M4, M5)         |
| 111 | 60343546     | OVERLOAD PROTECTOR (M6, M7, M8, M9)             |
| 201 | 0210P00112   | CAPILLARY WELDMENT (M1, M2, M3, M4, M5)         |
| 201 | 0210P00153   | CAPILLARY WELDMENT (M6, M7, M8, M9)             |
| 311 | 20295711     | THERMISTOR (M5)                                 |
| 311 | 0130P00039   | THERMISTOR-OUTDOOR AMBIENT (M5)                 |
| 331 | 0130P00038   | THERMISTOR-DISCHARGE                            |
| 331 | 0130P00047   | THERMISTOR-INDOOR AMBIENT                       |
| 331 | 0130P00033   | THERMISTOR-INDOOR COIL                          |
| NS  | BT1392310    | PLASTIC CLAMP, .1875 DIA                        |

Expanded Model Nomenclature

|                      |
|----------------------|
| M1 - PTC123E00AXXXAB |
| M2 - PTC123E25AXXXAB |
| M3 - PTC123E35AXXXAB |
| M4 - PTC123E35CXXXAB |
| M5 - PTC123E35RXXXAB |
| M6 - PTC153E00AXXXAA |
| M7 - PTC153E25AXXXAA |
| M8 - PTC153E35AXXXAA |
| M9 - PTC153E50AXXXAA |

