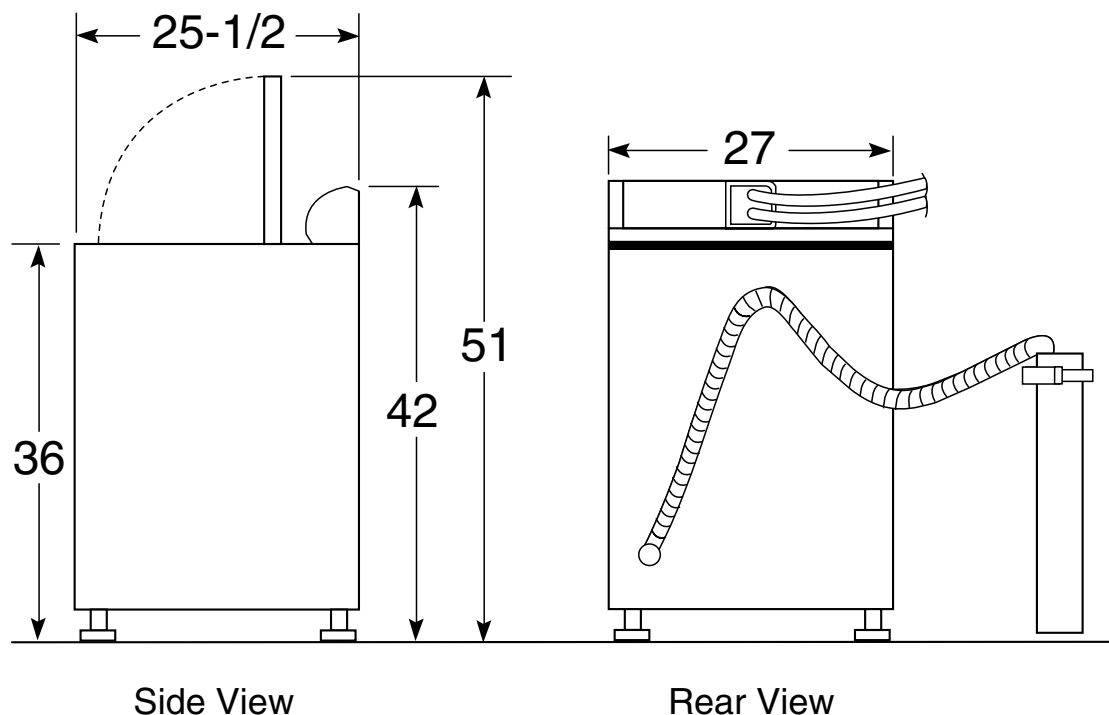


HOTPOINT®

HTWP1200D– Hotpoint® 3.5 DOE cu. ft. capacity ExtrAction™ ribbed basket

Washer Dimensions (in inches)



Circuit Requirements: An individual, properly-grounded branch circuit, with a three-prong grounding-type receptacle, protected by a 15 or 20 amp circuit breaker or a time-delay fuse, is required.

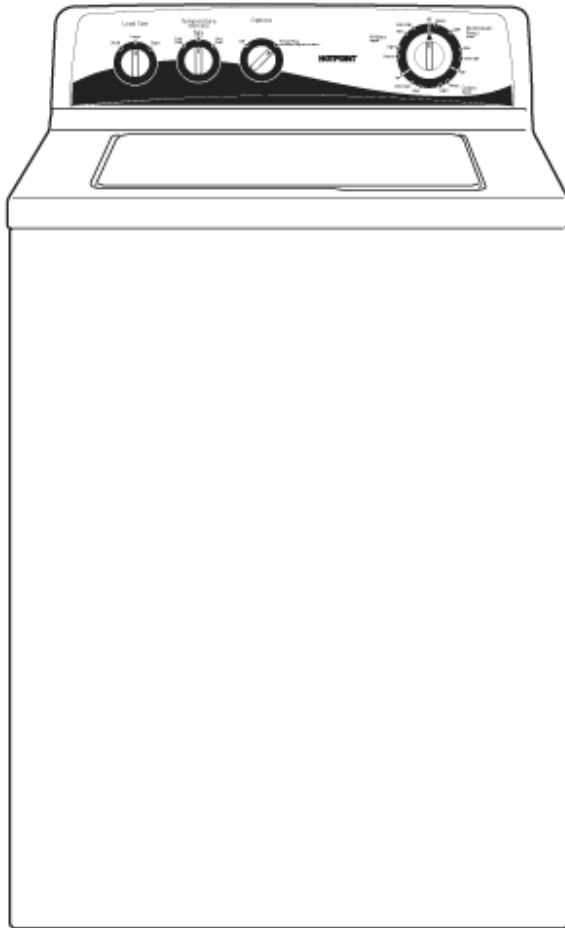
Electrical Rating: 115V, 60Hz, 10 Amps

Installation Information: Before installing, consult installation instructions packed with product for current dimensional data.

Washer Note: Washer wall outlet must be located within 36" of service cord entry. Wall outlet must not be located behind dryer.

HOTPOINT®

HTWP1200D— Hotpoint® 3.5 DOE cu. ft. capacity ExtrAction™ ribbed basket



Features and Benefits

- ExtrAction ribbed basket removes more moisture than smooth baskets
- Auto Balance suspension system handles the heaviest loads without banging or walking
- Dual-action agitator provides gentle, dual-wash action
- Power Rinse™ option—dirty water is removed before spinning to help prevent soils and detergent from depositing on clothes
- 3 water levels—select water level based on load size
- 8 wash cycles handle various fabrics and soils
- 3 wash/rinse temperature settings—a variety of temperatures provide great wash results
- 630-RPM spin speed—fast spin speeds remove water efficiently and minimize dry times
- Model HTWP1200DWW – White on white