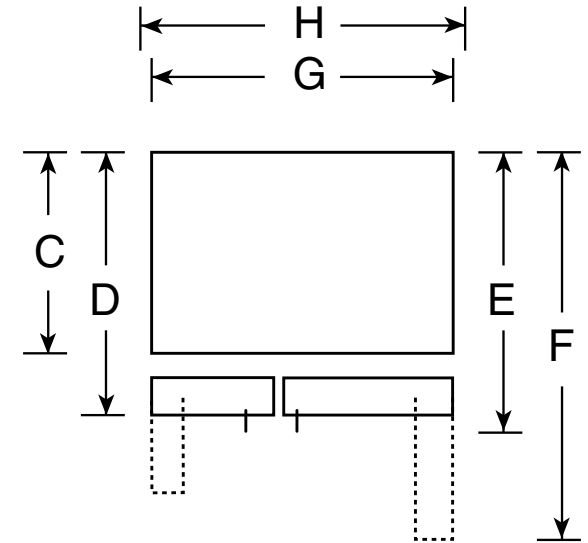
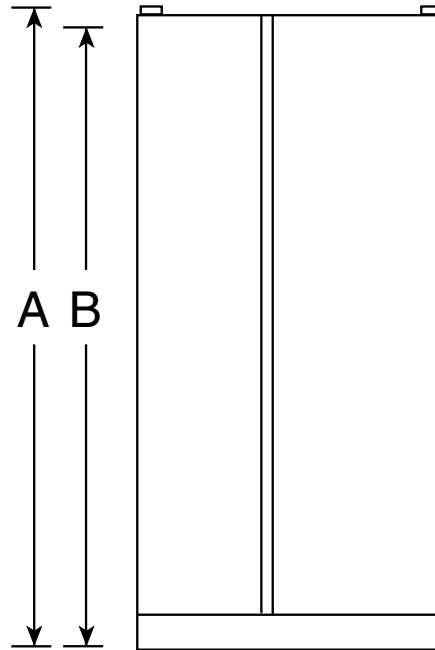


# GSHF6HGD

## GE® ENERGY STAR® 25.9 Cu. Ft. Side-By-Side Refrigerator

### Dimensions and Installation Information (in inches)

Overall Dimensions	Height to top of hinge (in.) <b>A</b>	<b>69-1/4</b>
	Height to top of case (in.) <b>B</b>	<b>68-3/4</b>
	Case depth without door (in.) <b>C</b>	<b>28</b>
	Case depth less door handle (in.) <b>D</b>	<b>31-1/4</b>
	Case depth with door handle (in.) <b>E</b>	<b>36</b>
	Depth with fresh food door open 90° (in.) <b>F</b>	<b>50-1/8</b>
	Width (in.) <b>G</b>	<b>35-3/4</b>
	Width with door open 90° inc. door handle (in.) <b>H</b>	<b>40-3/4</b>
Air	Each side (in.)	<b>1/8</b>
	Top (in.)	<b>1</b>
	Back (in.)	<b>1</b>



For answers to your Monogram,® GE Profile™ or GE® appliance questions, visit our website at [geappliances.com](http://geappliances.com) or call GE Answer Center® service, 800.626.2000.



imagination at work



Listed by  
Underwriters  
Laboratories



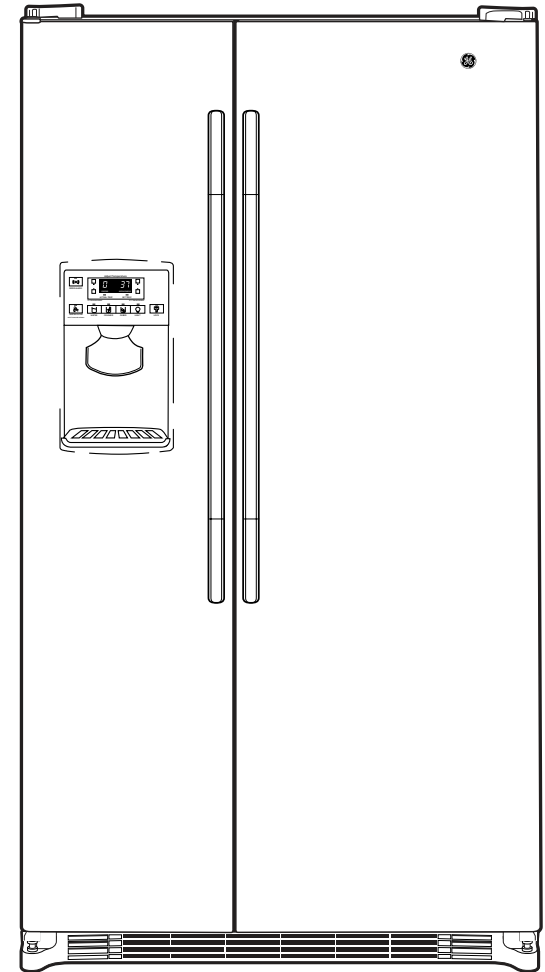
As an ENERGY STAR® partner, GE has determined that this product meets the ENERGY STAR guidelines for energy efficiency.

# GSHF6HGD

## GE® ENERGY STAR® 25.9 Cu. Ft. Side-By-Side Refrigerator

### Features and Benefits

- High-gloss finish - Step up to a smooth look that stands out in any kitchen
- Integrated dispenser with UltraFlow64 - See the exact temperature and dispense 64 ounces of filtered water per minute
- Freshness Center™ (2-stack drawer system) - Maintain fresh tastes with two humidity-controlled crisper drawers
- Adjustable door bins - Creates additional storage space for milk and other gallon-size containers
- In-the-door can rack - Beverages are easy to grab when you're on the go
- Adjustable, slide-out spillproof glass shelves - Adjustable shelves are designed to make clean up quick and easy
- GE water filtration - six month filter - Removing impurities means fresh-tasting water for your family
- Arctica® icemaker - A special access door puts ice within reach
- FrostGuard™ technology - Controlled defrosting keeps frozen foods from feeling the burn
- AutoEnergy saver - Senses door openings and adjusts refrigeration operation cycles accordingly
- NeverClean™ condenser - Sealed compartment keeps coils clean and simplifies maintenance
- Model GSHF6HGDBB - Black
- Model GSHF6HGDWW - White
- Model GSHF6HGDCC - Bisque



imagination at work



As an ENERGY STAR® partner, GE has determined that this product meets the ENERGY STAR guidelines for energy efficiency.