

# Gas Built-In Range

EI30GS55J S



### Luxury-Glide® Oven Rack

With a ball bearing system, oven rack is so smooth it extends effortlessly.



### Four Sealed Burners

Powerful 16,000-BTU sealed burner with three additional sealed burners including a precise 5,000 to 500-BTU simmer burner.



### Perfect Convection3®

Our convection technology features a third convection element for consistently even results, up to 30% faster cooking times and even more baking options.



### Luxury-Design® Lighting

Our ramp-up designer halogen lighting is as beautiful as it is functional.

## 30" GAS BUILT-IN RANGE

### Control Panel Features

|                                    |     |
|------------------------------------|-----|
| IQ-Touch™ Electronic Oven Control  | Yes |
| Professional-Grade Burner Controls | Yes |
| Keypad Entry of Time & Temperature | Yes |
| Electronic Clock & Timer           | Yes |
| Temperature Display                | Yes |
| Automatic Oven (Delay, Cook & Off) | Yes |

### Cooktop Features

|   |     |
|---|-----|
| Sealed Power Burner – 16,000 BTU          | 1   |
| Sealed Power Burner – 14,000 BTU          | 1   |
| Sealed Precision Burner – 9,500 BTU       | 1   |
| Sealed Precision Burner – 5,000 - 500 BTU | 1   |
| Linear Flow Burner Valves                 | Yes |
| Seamless Cooktop                          | Yes |
| Continuous Grates with Deep-Well Top      | 3   |
| Electronic Pilotless Ignition             | Yes |

### Oven Features

|  |             |
|--|-------------|
| Capacity   | 4.2 Cu. Ft. |
| Hidden Bake Burner   | Yes         |
| Bake Burner – 18,000 BTU   | Yes         |
| Broil Burner – 11,500 BTU  | Yes         |
| Convection Burner – 350 Watts  | Yes         |
| Cobalt Blue Interior   | Yes         |
| Self-Clean Options with Door Lock  | 3           |
| Perfect Convection3® with Variable 2-Speed Fan   | Yes         |
| Cooking Modes –<br>Bake, Broil, Convection Bake, Convection Roast,<br>Keep Warm, Slow Cook                 | 6           |
| Baking Options –<br>Dehydrate, Bread Proof, My Favorites,<br>Rapid Preheat, Delay Bake, Convection Convert | 6           |
| Luxury-Design® Lighting with Dual 40W Halogen Bulbs  | Yes         |
| Luxury-Glide® Racks  | 1           |
| Conventional Racks   | 2           |
| Convection Roasting Rack   | Yes         |

### Additional Features

|                                  |     |
|----------------------------------|-----|
| Luxury-Hold™ Oven Door           | Yes |
| Extra-Large Glass Window         | Yes |
| Warmer Drawer                    | Yes |
| Adjustable Leveling Legs         | Yes |
| Sabbath Mode (Star-K® Certified) | Yes |
| A.D.A. Compliant*                | Yes |

### Accessories

|   |              |
|---|--------------|
| Porcelain Broiler Pan and Insert  | Included     |
| Grill/Griddle – PN# 316534001   | Mail-In Card |
| Wok Ring – PN# 318254307  | Optional     |
| Simmer Plate – PN# 318254206  | Optional     |
| LP Gas Conversion Kit   | Included     |
| 2" Rear Filler Kit, Side Panel Kit, Backguard Kit,<br>Side Trim Kit – See Back for Part Numbers | Optional     |

### Specifications

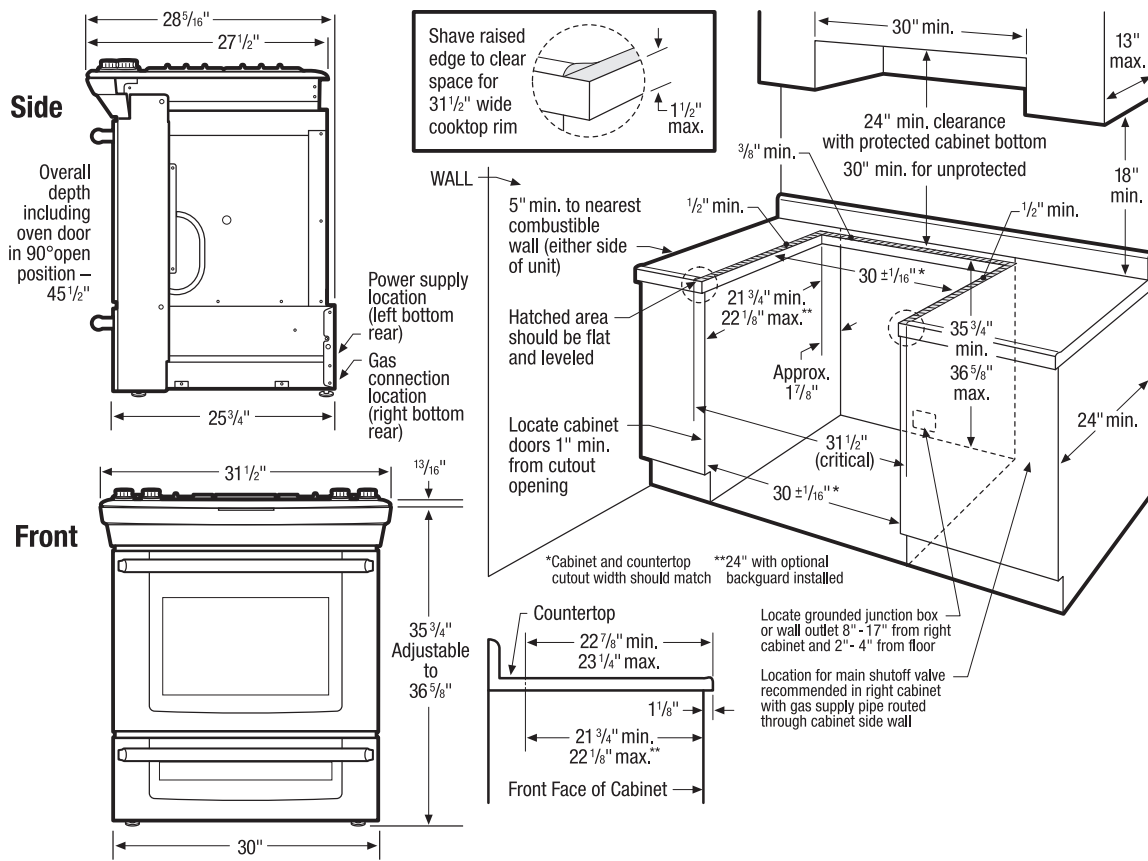
|  |                        |
|--|------------------------|
| Color –<br>Stainless Steel                       | S                      |
| Oven Cavity Dimensions –<br>Height               | 16-1/2"                |
| Width  | 24-1/8"                |
| Depth  | 18-1/32"               |
| Product Dimensions –<br>Height (Adjustable)      | 35-3/4" – 36-5/8"      |
| Width  | 30"                    |
| Depth (to Center of Arc)<br>(with 90° Door Open) | 28-5/16"<br>45-1/2"    |
| Gas/Power Supply Connection Location             | Right/Left Bottom Rear |
| Voltage Rating                                   | 120V/60Hz/15A          |
| Connected Load (kW Rating) @ 120 Volts‡          | 1.2                    |
| Shipping Weight (Approx.)                        | 270 Lbs.               |

\*When properly installed, meets the appliance standards in the Americans with Disabilities Act and the Architectural Barriers Act Accessibility Guidelines as published by the United States Access Board on June 23, 2004, as amended August 5, 2005.

‡For use on adequately wired 120V, dedicated circuit having 2-wire service with a separate ground wire. Appliance must be grounded for safe operation.

NOTE: Always consult local and national electric and gas codes. Refer to Product Installation Guide for detailed installation instructions on the web at [electroluxappliances.com](http://electroluxappliances.com).

Specifications subject to change.



## 30" Gas Built-In Range Specifications

- Product Weight – 250 Lbs.
- Voltage Rating – 120V / 60Hz / 15 Amps
- Connected Load (kW Rating) @ 120 Volts = 1.2kW (For use on adequately wired 120V, dedicated circuit having 2-wire service with a separate ground wire. Appliance must be grounded for safe operation.)
- Amps @ 120V = 10 Amps
- Always consult local and national electric and gas codes.
- Range ships with 3/4" factory regulator.
- LP Gas conversion kit supplied.
- Gas supply piping can be routed through side wall of right cabinet. Right side cabinet is ideal location for main shutoff valve.
- Countertop MUST be level in all directions and adjustable range height at least 1/16" greater than tallest cabinet height, to ensure metal rangetop flange will fit properly on countertop edge.
- When installing optional Backguard Kit, cutout depth of 21-3/4" minimum / 22-1/8" maximum needs increased to 24".
- Overhead cabinetry should not exceed a 13" maximum depth.
- Absolute minimum horizontal distance between overhead cabinets installed to either side of appliance must be no less than maximum width of appliance.
- Allow 24" minimum clearance between rangetop and bottom of cabinet when bottom of wood or metal cabinet is protected by not less than 1/4" flame-retardant millboard covered with not less than No. 28 MGS sheet steel, 0.015" stainless steel, 0.024" aluminum or 0.020" copper. Allow 30" minimum clearance when cabinet is unprotected.
- Allow 5" minimum clearance from edge of rangetop to nearest combustible wall on either side of unit.
- To reduce risk of fire when using overhead cabinetry, install range hood that projects horizontally a recommended minimum of 5" beyond bottom of cabinets.

- When installing range into existing cutout depth greater than 22-1/8", optional 2" Rear Filler Kit available.

## Countertop Preparation

- For detailed preparation instructions, refer to installation guide on the web.
- Flat square-finish (flat) countertop requires no preparation since rangetop flange lays directly on countertop edge.
  - Formed front-edged countertops require front molded edge to be shaved flat 3/4" from each front corner of opening.
  - Tile countertops may need cut back 3/4" from each front corner of opening and/or rounded edge flattened.
  - For existing cutout width greater than 30-1/16" reduce the 3/4" overlap dimension or for cutout width of 29", replace actual side trim panels with smaller side trim panels, available with optional Side Trim Kit (*refer to detailed kit installation instructions*).

**Note:** For planning purposes only. Refer to Product Installation Guide on the web at [electroluxappliances.com](http://electroluxappliances.com) for detailed instructions.

## Optional Accessories

- Wok Ring – (PN# 318254307).
- Simmer Plate – (PN# 318254206).
- 2" Rear Filler Kit: S – (PN# 903113-901S).
- Side Panel Kit: S – (PN# 903102-901S).
- Backguard Kit: S – (PN# 903111-901S).
- Side Trim Kit: S – (PN# 903110-901S).