

GTWN5550D GE® 4.0 DOE cu. ft. stainless steel capacity washer

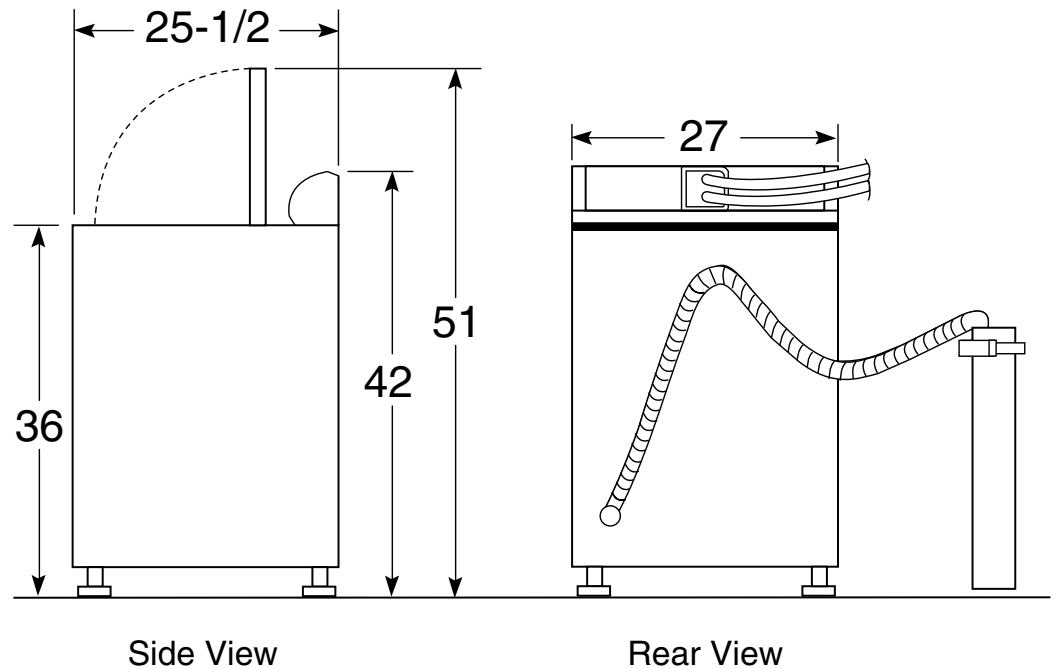
Dimensions and Installation Information (in inches)

Circuit Requirements: An individual, properly-grounded branch circuit, with a three-prong grounding-type receptacle, protected by a 15 or 20 amp circuit breaker or a time-delay fuse, is required.

Electrical Rating: 120V, 60Hz, 10A

Note: Washer wall outlet must be located within 36" of service code entry. Wall outlet must not be located behind dryer.

Installation Information: Before installing, consult installation instructions packed with product for current dimensional data.



For answers to your Monogram®, GE Profile™ or GE® appliance questions, visit our website at geappliances.com or call GE Answer Center® service, 800.626.2000.

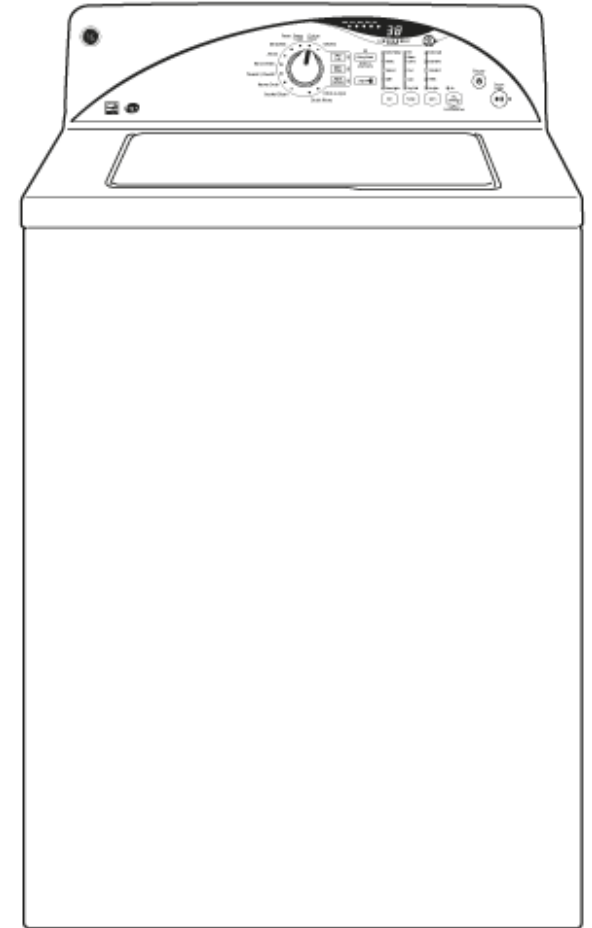


GTWN5550D

GE® 4.0 DOE cu. ft. stainless steel capacity washer

Features and Benefits

- ENERGY STAR® qualified/CEE Tier II —meets or exceeds federal guidelines for energy efficiency for year-round energy and money savings
- Infusor™ wash system uses HE detergent, requiring less water than a traditional topload washer
- LED electronic controls with cycle countdown display show exactly how much time is left for each cycle
- eWash option—energy saving option uses a cold-water wash on select cycles without sacrificing performance
- eMonitor—an electronic readout shows the exact efficiency of each cycle so the user can decide how they want to wash each load
- 20 wash cycles handle various fabrics and soils
- PreciseFill—washer will automatically measure the load size and add just the right amount of water
- Bleach and fabric softener dispensers automatically operate with wash cycle
- 700-RPM spin speed—fast spin speeds remove water efficiently and minimize dry times
- Model GTWN5550DWW – White



Modified Energy Factor (MEF)	2.20
Water Factor (WF)	4.50



imagination at work

