

GTWN2800D GE® 3.9 DOE cu. ft. stainless steel capacity washer

Dimensions and Installation Information (in inches)

Circuit Requirements: An individual, properly-grounded branch circuit, with a three-prong grounding-type receptacle, protected by a 15 or 20 amp circuit breaker or a time-delay fuse, is required.

Electrical Rating:

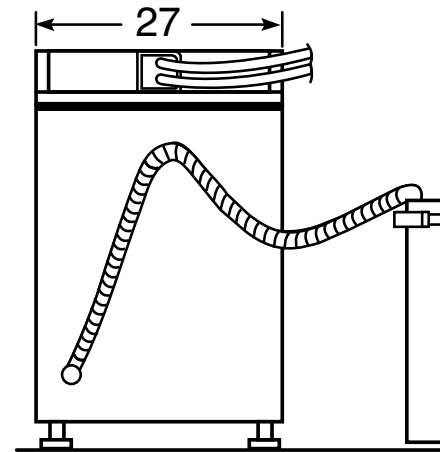
120V, 60Hz

Washer Note:

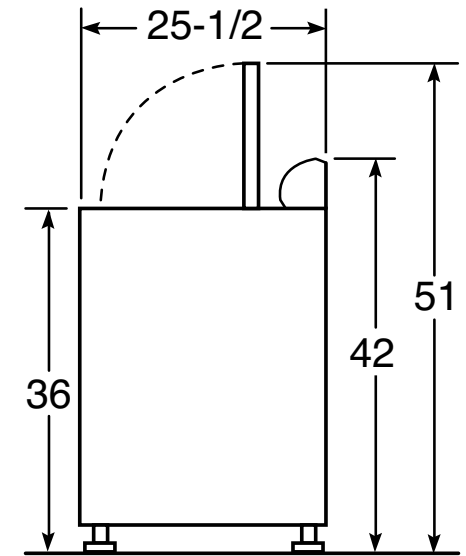
Washer wall outlet must be located within 36" of service cord entry.
Wall outlet must not be located behind dryer.

Installation Information:

Before installing, consult installation instructions packed with your washer.



Rear View



Side View

For answers to your Monogram®, GE Profile™ or GE® appliance questions, visit our website at geappliances.com or call GE Answer Center® service, 800.626.2000.



imagination at work



Listed by
Underwriters
Laboratories

GTWN2800D

GE® 3.9 DOE cu. ft. stainless steel capacity washer

Features and Benefits

- Dual-Action agitator provides gentle, dual-wash action
- Rotary electromechanical controls make it simple to set cycles
- 13 wash cycles handle various fabrics and soils
- 5 water levels—select water level based on load size
- Bleach and fabric softener dispensers automatically operate with wash cycle
- 630-RPM spin speed—fast spin speeds remove water efficiently and minimize dry times
- Model GTWN2800DWW – White

