

PRODUCT MODEL NUMBERS

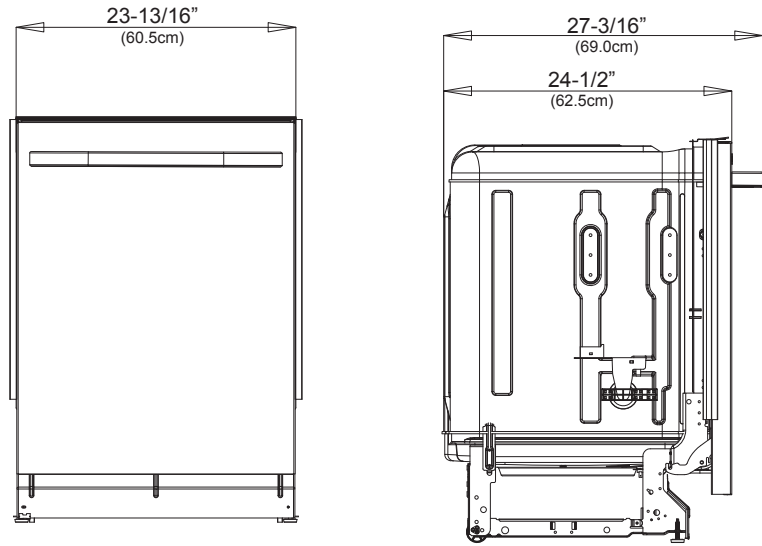
DWL2825
 DWL3025
 DWL3525
 DWL4035
 DWL7075

Electrical: A 115 Volt, 60 Hz., AC only 15 or 20 amp fused, grounded electrical supply is required. It is recommended that a separate circuit serving only your dishwasher be provided. Use a circuit that cannot be turned off by a switch. Do not use an extension cord.

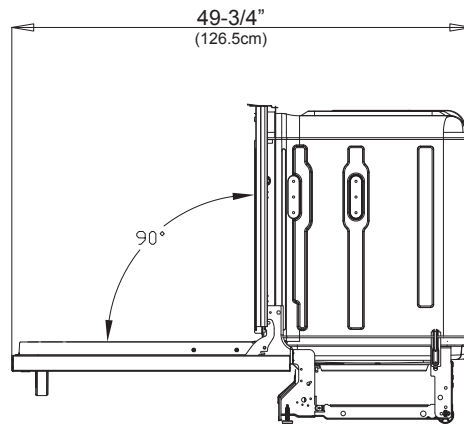
Water Supply: A hot water supply with water pressure of between 30 and 120 psi (207 - 827 kPa) is required to operate dishwasher. Inlet water temperature of 120° (49°C) at dishwasher is recommended. If you have questions about your water pressure, call a licensed, qualified plumber.

Drain: Drain connection must be within 12 ft (370cm) of unit, with a minimum height of 20 (50cm) inches from floor.

OVERALL DIMENSIONS



Note: Not all models have pull handle.



CABINET OPENING DIMENSIONS

