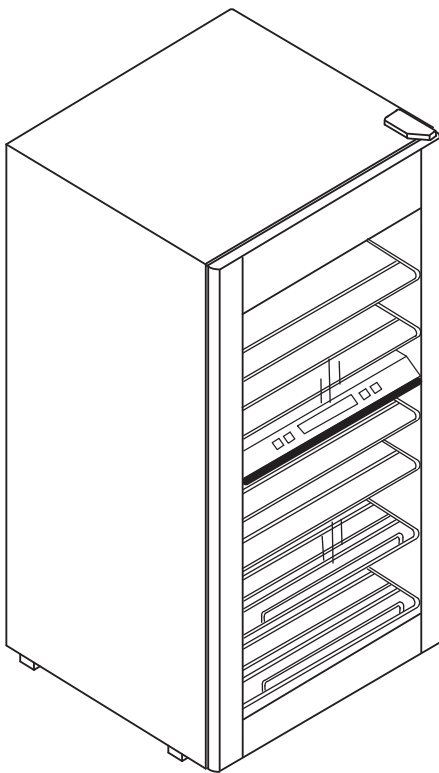


Double Zone Wine Cellar

Cave à vin compartiment double Zone

**Enfriador de vino con Compartimiento
doble Zone**



**User Manual
HVFE040BBB**

**Guide de l'Utilisateur
HVFE040BBB**

**Manual del Usuario Modelo
HVFE040BBB**

Haier

Quality · Innovation Style

IMPORTANT SAFEGUARDS

When using this appliance, always exercise basic safety precautions, including the following:

1. **Read all of the instructions before using this appliance.**
2. Use this appliance only for its intended purpose as described in this use and care guide.
3. This wine cellar must be properly installed in accordance with the installation instructions before it is used. See grounding instructions in the installation section.
4. Never unplug your wine cellar by pulling on the power cord. Always grasp the plug firmly and pull straight out from the outlet.
5. Unplug your wine cellar before cleaning or before making any repairs. **Note:** If for any reason this product requires service, we strongly recommend that a certified technician performs the service.
6. Repair or replace immediately, all electric power cords that have become frayed or otherwise damaged. Do not use a cord that shows cracks or abrasion damage along its length, the plug or the connector end.
7. This wine cellar should not be recessed or built-in an enclosed cabinet. It is designed for freestanding installation only.
8. If your old wine cellar is not being used, we recommend that you remove the door and leave the shelves in place. This will reduce possibility of danger to children.
9. Do not operate your wine cellar in the presence of explosive fumes.
10. Do not store foods in wine cellar as interior temperature may not be cool enough to prevent spoilage or may cause bacteria growth.

SAVE THESE INSTRUCTIONS

DANGER

Risk of child entrapment. Before you throw away your old wine cellar, take off the doors. Leave the shelves in place so that children may not easily climb inside.

Table Of Contents

	PAGE
Important Safeguards	1
Parts And Features	3
Installing Your Wine Cellar	4
Unpacking Your Wine Cellar	4
Leveling Your Wine Cellar	4
Proper Air Circulation	4
Electrical Requirements	5
Installation Limitations	5
Use of Extension Cords	5
Wine Cellar Features And Use	6
Initial Set Up	6
Temperature Adjustment	6
Flex-Temperature Zone	7
Shelving	7
Interior Light	7
Normal Operating Sounds	7
Proper Wine Cellar Care and Cleaning	8
Cleaning and Maintenance	8
Power Interruptions	8
Vacation and Moving Care	8
Troubleshooting	9
Warranty Information	10

Thank you for using our Haier product. This easy-to-use manual will guide you in getting the best use of your wine cellar.

Remember to record the model and serial number. They are on a label in back of the wine cellar.

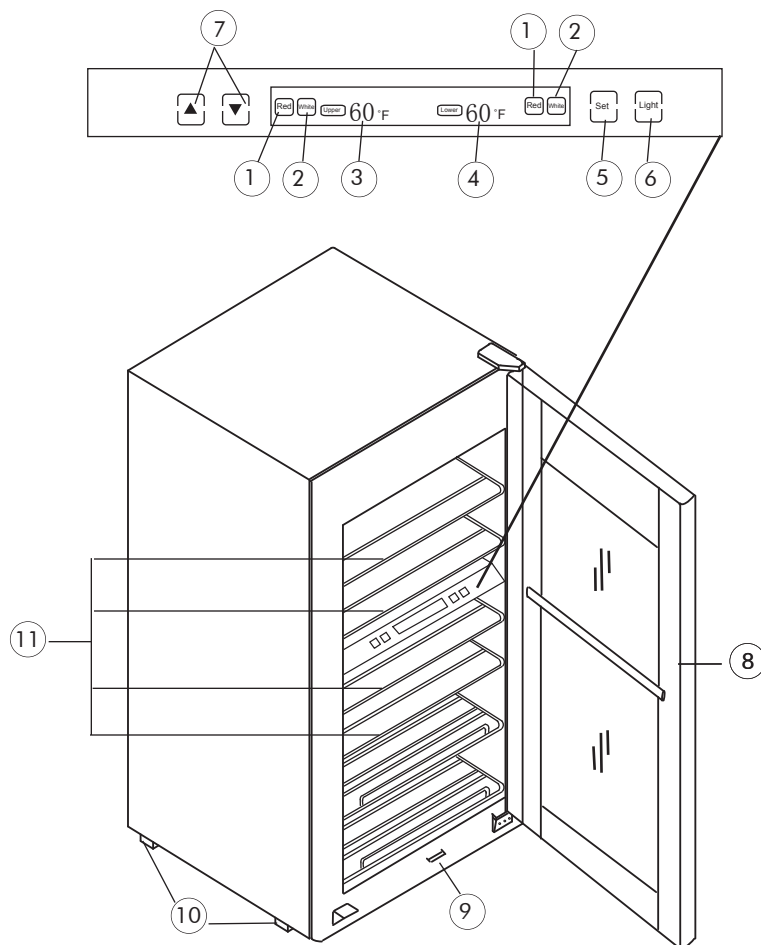
Model number

Serial number

Date of purchase

Staple your receipt to your manual. **You will need it to obtain warranty service.**

Parts And Features



- | | |
|--|-------------------------------------|
| 1. Red Wine Indicator | 6. Interior Light Button |
| 2. White Wine Indicator | 7. Temperature Adjustment (up/down) |
| 3. LED Temperature Display - Upper Compartment | 8. Door |
| 4. LED Temperature Display - Lower Compartment | 9. Auto Light Switch |
| 5. Temperature Set Button | 10. Adjustable Leveling Legs |
| | 11. Slide Out Shelves(6) |

Note: This figure is only a sketch, and may differ from the actual product.

Installing Your Wine Cellar

Unpacking Your Wine Cellar

1. Remove all packaging material. This includes the foam base and all adhesive tape holding the wine cellar accessories inside and outside.
2. Inspect and remove any remains of packing, tape or printed materials before powering on the wine cellar.

Leveling Your Wine Cellar

- Your wine cellar has four leveling legs which are located in the front and rear corners of your wine cellar. After properly placing your wine cellar in its final position, you can level your wine cellar.
- Leveling legs can be adjusted by turning them clockwise to raise your wine cellar or by turning them counterclockwise to lower your wine cellar. The wine cellar door will close easier when the leveling legs are extended.

Proper Air Circulation

- To assure your wine cellar works at the maximum efficiency it was designed for, you should install it in a location where there is proper air circulation, plumbing and electrical connections.
- The following are recommended clearances around the wine cellar:
Sides.....2" (50mm)
Top.....2" (50mm)
Back.....2" (50mm)
- Do not over fill your wine cellar for proper wine cooling.

Note: If your wine cellar has been tilted for any reason, wait 24 hours before plugging it in.

Electrical Requirement

- Make sure there is a suitable power Outlet (115 volts, 15 amps outlet) with proper grounding to power the wine cellar.
- Avoid the use of three plug adapters or cutting off the third grounding in order to accommodate a two plug outlet. This is a dangerous practice since it provides no effective grounding for the wine cellar and may result in shock hazard.

Install Limitations

- Do not install your wine cellar in any location not properly insulated or heated e.g. garage etc. Your wine cellar was not designed to operate in temperature settings below 55° Fahrenheit.
- Select a suitable location for the wine cellar on a hard even surface away from direct sunlight or heat source e.g. radiators, baseboard heaters, cooking appliances etc. Any floor unevenness should be corrected with the leveling legs located on the front and rear bottom corners of the wine cellar.
- Your wine cellar is designed for **freestanding installation** only. It is not designed for built-in application.

Use of Extension Cord

- Avoid the use of an extension cord because of potential safety hazards under certain conditions. If it is necessary to use an extension cord, use only a 3-wire extension cord that has a 3-blade grounding plug and a 3-slot outlet that will accept the plug. The marked rating of the extension cord must be equal to or greater than the electrical rating of the appliance.

Wine Cellar Features And Use

Initial Setup

Once you have plugged the unit into an electrical outlet, let the unit run for at least 30 minutes to acclimatize itself before making any adjustments. During this time, depending on the internal temperature, the red or white wine light will stay on for the upper compartment and red or white wine light will stay on for the lower compartment. The LED display will show the current internal temperature.

Temperature Adjustments: See fig. # 1

- The wine cellar can be set to any temperature between 43° and 65°F in either of the compartments to accommodate your wine storage requirements. To set the temperature hold the "Set" button for about 3 seconds. You will notice the temperature display blink for the upper compartment. Press the up or down arrow button to increase or decrease the temperature setting. Once the desired temperature is attained, press the "Set" button. Doing this, the electronic control panel will memorize the setting. The temperature display will revert back to display the inside temperature. It may take some time to reach the set temperature.
- Once the temperature is set for the upper compartment, you will notice the temperature display blink for the lower compartment. Again press the up or down arrow button to increase or decrease the temperature. Once the desired temperature is attained, press the "Set" button. Doing this, the electronic control panel will memorize the setting. The temperature display will revert back to display the inside temperature. It may take some time to reach the set temperature.

fig. # 1



- The wine cellar is preset from the factory to automatically accommodate temperature requirements for red or white wines.

Auto-Red and Auto-White Function

- For the storage of red wines at a temperature of 57°F(13°C), press the [Red] control pad.
- For the storage of white wines at a temperature of 47°F(8.3°C), press the [White] control pad.

Flexi Temperature Zone

This offers wine lovers a whole new level of storage flexibility. Flexi-Temp allows the top and bottom compartments to each be set at a temperature between 43°F - 65°F, independent of each other. Allowing you to store wine your way.

Shelving

- The shelves are designed for appearance and easy cleaning. Larger bottles or Magnums can be more easily accommodated at the cross shelves at the bottom of the cellar.

Interior Light See fig. #1

- To complement the look of your wine collection, a soft light has been built into the wine cellar. Simply push the "Light" button and the light comes on, push again for off. For maximum energy efficiency, leave light off when not viewing your collection.
- When door is open the light will go on. Upon closing the door, the light will go off.

Normal Operating Sounds You May Hear

- Boiling water, gurgling sounds or slight vibrations that are the result of the refrigerant circulating through the cooling coils.
- The thermostat control will click when it cycles on and off.

Proper Wine Cellar Care and Cleaning

Cleaning and Maintenance

Warning: To avoid electric shock always unplug your wine cellar before cleaning. Ignoring this warning may result in death or injury.

Caution: Before using cleaning products, always read and follow manufacturer's instructions and warnings to avoid personal injury or product damage.

General:

- Prepare a cleaning solution of 3-4 tablespoons of baking soda mixed with warm water. Use sponge or soft cloth, dampened with the cleaning solution, to wipe down your wine cellar.
- Rinse with clean warm water and dry with a soft cloth.
- Do not use harsh chemicals, abrasives, ammonia, chlorine bleach, concentrated detergents, solvents or metal scouring pads. SOME of these chemicals may dissolve, damage and/or discolor your wine cellar.

Door Gaskets:

- Clean door gaskets every three months according to general instructions. Gaskets must be kept clean and pliable to assure a proper seal.
- Petroleum jelly applied lightly on the hinge side of gaskets will keep the gasket pliable and assure a good seal.

Power Interruptions

- Occasionally there may be power interruptions due to thunderstorms or other causes. Remove the power cord from AC outlet when a power outage occurs. When power has been restored, replug power cord to AC outlet.

Vacation and Moving Care

- For long vacations or absences, unplug the wine cellar and clean the wine cellar and door gaskets according to "General Cleaning" section. Leave doors open, so air can circulate inside.
- When moving always move the wine cellar vertically. Do not move with the unit lying down, as possible damage to the sealed system could occur.

Note: After moving, wait for 24 hours before plugging in the wine cellar.

Troubleshooting

Wine Cellar Does Not Operate:

- Check if wine cellar is plugged in.
- Check if there is power in the AC outlet, by checking the circuit breaker.

Wine appears too warm:

- Frequent door openings.
- Allow time for recently added wine to reach desired temperature.
- Check gaskets for proper seal.
- Clean condenser coils.
- Adjust temperature control to colder setting.

Wine temperature is too cold:

- If temperature control setting is too cold, adjust to a warmer setting.

Wine cellar runs too frequently:

- This may be normal to maintain constant temperature during high temperature and humid days.
- Doors may have been opened frequently or for an extended period of time.
- Clean condenser coils.
- Check gasket for proper seal.
- Check to see if doors are completely closed.

Moisture build up on interior or exterior of the wine cellar:

- This is normal during high humidity periods.
- Prolonged or frequent door openings.
- Check door gaskets for proper seal.

Wine cellar door does not shut properly:

- Level the wine cellar.
- Check for blockages e.g. wine bottles, shelves.

Limited Warranty

What is covered and for how long?

This warranty covers all defects in workmanship or materials for a period of:

12 months labor

12 months parts

5 years sealed system

The warranty commences on the date the item was purchased and the original purchase receipt must be presented to the authorized service center before warranty repairs are rendered.

EXCEPTIONS: Commercial or Rental Use warranty

90 days labor (carry-in only)

90 days parts

No other warranty applies

What is covered.

1. The mechanical and electrical parts, which serve as a functional, purpose of this appliance for a period of 12 months. This includes all parts except finish, and trim.
2. The components of the sealed system e.g. hermetic compressor, condenser and evaporator from manufacturing defects for a period of 5 years from the date of purchase. Any damages to such components caused by mechanical abuse or improper handling or shipping will not be covered.

What will be done?

1. We will repair or replace, at our discretion any mechanical or electrical part which proves to be defective in normal usage during the warranty period so specified.
2. There will be no charge to the purchaser for parts and labor on any covered items during the initial 12 month period. Beyond this peri-

od only parts are covered in the remaining warranty. Labor is not provided and must be paid by the customer.

3. Contact your nearest authorized service center. For the name of the nearest service center please call 1-877-337-3639

THIS WARRANTY COVERS APPLIANCES WITHIN THE CONTINENTAL UNITED STATES, PUERTO RICO AND CANADA. IT DOES NOT COVER THE FOLLOWING:

Damages from improper installation.
Damages in shipping.
Defects other than manufacturing.
Damage from misuse, abuse, accident, alteration, lack of proper care and maintenance or incorrect current or voltage.

Damage from other than household use.

Damage from service by other than an authorized dealer or service center.
Decorative trims or replaceable light bulbs.

Transportation and shipping.
Labor (after the initial 12 months).
THIS LIMITED WARRANTY IS GIVEN IN LIEU OF ALL OTHER WARRANTIES, EXPRESSED OR, INCLUDING THE WARRANTIES OF MERCHANTABILITY AND FITNESS FOR A PARTICULAR PURPOSE

The remedy provided in this warranty is exclusive and is granted in lieu of all other remedies.

This warranty does not cover incidental or consequential damages, so the above limitations may not apply to you. Some States do not allow limitations on how long an implied warranty lasts, so the above limitations may not apply to you.

This warranty gives you specific legal rights, and you may have other rights, which vary, from state to state.

Haier America
New York, NY 10018

CONSIGNES DE SÉCURITÉ IMPORTANTES

Lorsque vous utilisez cet appareil, veuillez respecter les consignes de sécurité de base y compris les suivantes:

1. **Lisez toutes les instructions avant d'utiliser cet appareil.**
2. Utilisez cet équipement uniquement pour l'usage auquel il est destiné comme indiqué dans ce manuel d'utilisation et d'entretien.
3. Cette cave à vin doit être installée correctement et conformément aux instructions d'installation avant toute utilisation. Consultez les instructions de mise à la masse du chapitre consacré à l'installation pour de plus amples détails.
4. Ne débranchez jamais cet appareil en tirant sur le cordon d'alimentation. Saisissez fermement la fiche et tirez tout droit sur cette dernière.
5. Débranchez votre cave à vin avant de la nettoyer ou avant d'effectuer toute réparation. **Remarque:** Si pour une raison quelconque cet appareil doit être réparé, il est vivement recommandé que la réparation soit effectuée par un réparateur agréé.
6. Réparez ou remplacez immédiatement tout cordon ou câble électrique effiloché ou endommagé. Veillez à ne pas utiliser un câble présentant des craquelures ou des abrasions au niveau du cordon, de la fiche ou de l'extrémité du connecteur.
7. Cette cave à vin ne doit pas être placée en retrait ou encastrée à l'intérieur d'une cavité ou d'une armoire. Cet appareil est sensé être placé tout seul et sans support.
8. Si vous n'utilisez plus votre ancienne cave à vin, nous vous recommandons de retirer la porte et de laisser les étagères en place. Cela réduira les risques d'accident pour les enfants.
9. N'utilisez pas votre cave à vin en présence de vapeurs et d'émissions explosives.
10. Ne rangez pas d'aliments dans votre cave à vin car la température à l'intérieur risque de ne pas être suffisamment froide pour éviter que les aliments deviennent avariés et risquent de provoquer la prolifération de bactéries.

CONSERVEZ CES INSTRUCTIONS

DANGER

Cet équipement présente un risque d'enfermement pour les enfants. Avant de vous débarrasser de votre cave à vin, veuillez enlever les portes. Laissez les étagères en place afin que les enfants ne puissent pas grimper à l'intérieur.

Table des Matières

PAGE

Consignes de sécurité importantes	1
Pièces et caractéristiques	3
Installation de la cave à vin	4
Déballage de la cave à vin	4
Mise à niveau de la cave à vin	4
Circulation de l'air	4
Installation électrique.....	5
Restrictions à l'installation	5
Utilisation de rallonges	5
Caractéristiques et utilisation de la cave à vin	6
Mise en marche initiale	6
Réglage de la température	6
La Zone de Température de Flex	7
Étagères intérieures de la cave à vin	7
Éclairage intérieur	7
Bruits de fonctionnement lors d'une exploitation normale	7
Entretien et nettoyage de la cave à vin	8
Nettoyage et entretien	8
Coupures de courant	9
Entretien lors des vacances ou d'un déménagement	9
Guide de dépannage	10
Garantie	11

Merci d'avoir fait l'achat de cet équipement Haier. Cette notice facile à consulter vous aidera à utiliser au mieux votre cave à vin.

N'oubliez pas d'enregistrer les numéros de modèle et de série. Ils se trouvent sur une étiquette à l'arrière de la cave à vin.

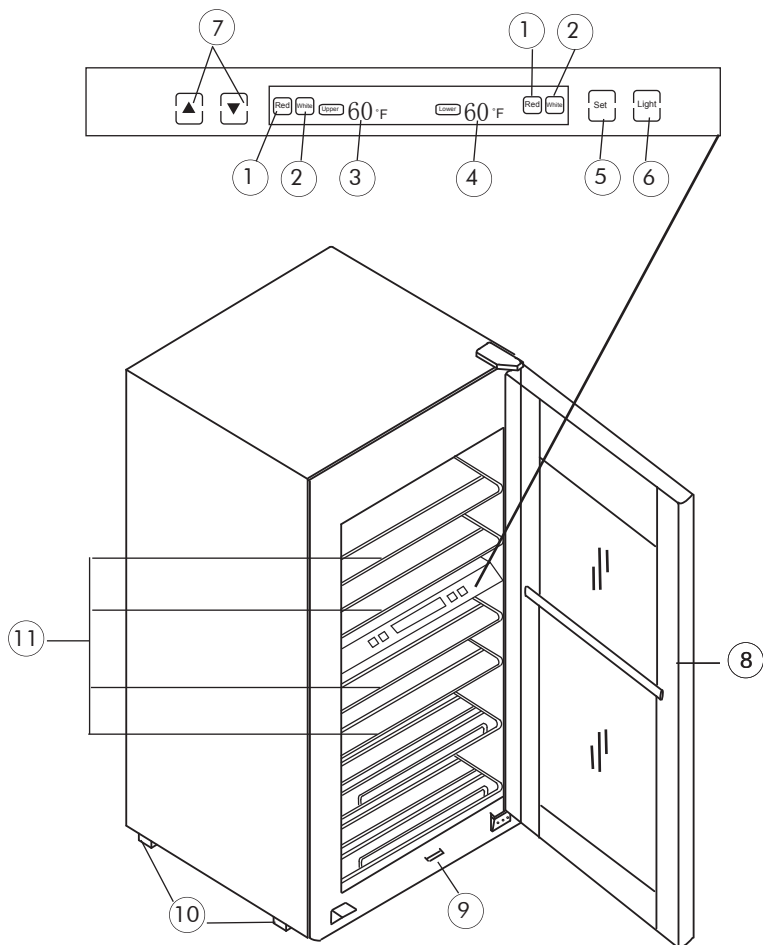
Veuillez agraffer votre facture avec votre manuel. **Vous en aurez besoin pour bénéficier de la garantie.**

Numéro de modèle

Numéro de série

Date d'achat

Pièces et Caractéristiques



- | | |
|--|--|
| 1. Indicateur Vin Rouge | 6. Lumière interne tamisée |
| 2. Indicateur Vin Blanc | 7. Réglage de la température en haut et en bas |
| 3. Voyant d'affichage lumineux de la température du compartiment supérieur | 8. Contrôle automatique de la lumière |
| 4. Voyant d'affichage lumineux de la température du compartiment inférieur | 9. Pieds réglables |
| 5. Bouton de réglage de la température | 10. Porte vitrée teintée à double paroi |
| | 11. Clayettes intérieures |

Note: Cette Image n'est qu'une esquisse et peut être différente du produit réel.

Installation de la cave à vin

Déballage de la cave à vin

1. Retirez tout le matériau d'emballage ainsi que le socle en mousse et tout le ruban adhésif retenant les accessoires à l'intérieur et l'extérieur.
2. Inspectez l'appareil et retirez le reste de l'emballage, le ruban adhésif et la documentation avant de mettre en marche cave à vin.

Mise à niveau de la cave à vin

- Votre cave à vin comporte quatre pieds de mise à niveau situés dans les coins à l'avant et à l'arrière. Après avoir placé la cave à vin là où vous le désirez, mettez-la à niveau.
- Les pieds de mise à niveau peuvent être réglés en les tournant dans le sens des aiguilles d'une montre pour élever la cave à vin ou dans le sens inverse à celui des aiguilles d'une montre afin d'abaisser la cave à vin. La porte de la cave se fermera plus facilement lorsque les pieds sont complètement sortis.

Circulation de l'air

- Afin de vous assurer que la cave à vin fonctionne à plein rendement, installez-la dans un endroit largement ventilé et où il existe des prises pour le raccordement électrique et la plomberie.
- Il est recommandé de laisser les espaces suivants autour la cave à vin

Côtés.....50 mm (2 po.)

Au-dessus.....50 mm (2 po.)

Derrière.....50 mm (2 po.)

- Ne surchargez pas la cave à vin afin que les bouteilles puissent être rafraîchies correctement.

Remarque: Si votre cave à vin a été penchée ou inclinée pour une raison quelconque, attendez 24 heures avant de la brancher.

Installation électrique

- Assurez-vous qu'il existe une prise électrique adéquate (115 volts, 15 ampères) avec mise à la masse à proximité de l'appareil pour pouvoir brancher la cave à vin.
- Ne pas utiliser d'adaptateurs à trois broches et ne pas couper la troisième broche (broche de masse) afin de brancher la prise mâle à trois broches sur une prise de courant femelle à deux broches. Ceci est une pratique dangereuse car elle n'offre pas de mise à la terre à la cave à vin et vous risquez de vous électrocuter.

Restrictions à l'installation

- Ne pas installer votre cave à vin dans un endroit insuffisamment isolé ou chauffé (ex. un garage, etc.). Cet appareil n'a pas été conçu pour fonctionner à une température inférieure à 55°F (12 °C).
- Choisissez pour votre cave à vin un emplacement approprié sur une surface ferme et plane, protégée des rayons directs du soleil ou des sources de chaleur comme les radiateurs, les radiateurs de plinthes, les appareils de cuisine, etc. Toute inégalité du sol doit être corrigée grâce aux pieds de réglage situés dans les coins, à l'avant et à l'arrière.
- Cette cave à vin est un appareil autostable sensé être placé tout seul et sans support. Cette cave à vin ne doit pas être placée en retrait ou encastré à l'intérieur d'une cavité ou d'une armoire.

Utilisation de rallonges

- Évitez d'utiliser une rallonge électrique car, dans certains cas, cela peut entraîner des risques pour la santé. S'il est indispensable d'utiliser un cordon d'extension, utilisez une rallonge à trois conducteurs disposant d'une fiche mâle à trois broches avec mise à la masse et branchez-la sur une prise femelle susceptible d'accepter la fiche. Le calibre défini du cordon d'extension doit être égal ou supérieur à celui de l'équipement.

Caractéristiques et utilisation cave à vin

Mise en marche initiale

Après avoir branché la cave à vin sur une prise de courant, laissez l'appareil fonctionner pendant au moins 30 minutes afin qu'elle s'adapte automatiquement avant d'effectuer tout réglage. Pendant cette période de 30 minutes, le voyant "Red Wine" (vin rouge) demeurera allumé. La température à l'intérieur de la cave (si vous ne la réglez pas) atteindra une plage de 55° à 60°F (12° à 15,5°C).

Réglage de la température: voir la fig. # 1

- La cave à vin peut être à toute température entre 43°F (6°C) et 65°F (18°C) afin de répondre à vos besoins particuliers. Pour régler la température, maintenez le bouton de réglage « Set » pendant environ 3 secondes jusqu'à ce que l'image du verrou disparaisse. Pressez à nouveau le bouton « Set ». Vous remarquerez que l'affichage de température se mettra à clignoter. Pressez le bouton pour vins rouges ou vins blancs afin d'augmenter ou de réduire la température. Une fois que la cave à vin atteint la température consignée, pressez le bouton « Set ». Le panneau de commande électronique programmera ce réglage en mémoire. La température intérieure s'affichera. Vous devrez attendre un certain temps pour que la cave atteigne la température que vous venez de programmer.
- Une fois la température est réglé pour le compartiment supérieur, vous remarquerez le clignotement d'exposition de température pour le compartiment plus bas. Encore appuyer l'en haut ou bouton de flèche descendante pour augmenter ou diminuer la température. Une fois la température désirée est atteinte, appuie le bouton de « Série ». Faire ceci, le tableau de commande avant électronique apprendra par coeur le cadre. L'exposition de température lira la température d'intérieur. Il peut prendre quelque temps pour atteindre la température de série.

fig. # 1



- La cave à vin a été pré-réglée en usine afin de fonctionner automatiquement à une température idéale pour vins rouges et vins blancs.

Fonctions : Auto-Red et Auto-White

- Pour le remisage des vins rouges à une température de 57°F (13°C), appuyez sur le bouton [Red]
- Pour le remisage des vins blancs à une température de 47° (8.3°C), appuyez sur le bouton de contrôle [White] .

La Zone de Température de Flexi

Ceci offre amants au vin un nouveau niveau entier de flexibilité de stockage. Le Flexi-intérimaire permet le sommet et les compartiments inférieurs à chaque est réglé à une température entre 43°F -65°F, indépendant de chaque autre. Permettre vous d'emmagasiner le vin votre façon.

Étagères intérieures de la cave à vin

- Les étagères ont été conçues pour une esthétique plaisante et afin d'être facilement nettoyées. Les bouteilles de grosse taille et les Magnums peuvent être placés sur les étagères transversales dans la partie inférieure de la cave. Vous remarquerez que les étagères ont été conçues afin que les bouteilles ne puissent être alignées directement les unes sur les autres.

Éclairage intérieur Voir la fig. #1

- Pour donner une touche finale à votre cave à vin, nous avons installé un éclairage indirect. Il vous suffit de presser le bouton « Light » (Lumière) afin d'allumer l'éclairage, pressez-le à nouveau pour l'éteindre. Pour une efficacité et un rendement énergétique maximum, assurez-vous que la lumière est éteinte lorsque vous n'admirez pas votre collection de bouteilles.
- Quand la porte est ouverte que la lumière ira la fermeture de sur.sur la porte, la lumière sautera.

Bruits de fonctionnement lors d'une exploitation normale

- Les bruits de gargouillis comme de l'eau qui bout ainsi que les légères vibrations sonores peuvent se faire entendre lorsque le fluide frigorigène circule dans les serpentins de refroidissement.
- Le thermostat émet un déclic lorsqu'il se met en marche (ON) et s'éteint (OFF).

Entretien et nettoyage de la cave à vin

Entretien et nettoyage

Avertissement: Afin d'éviter tout risque d'électrocution, débranchez toujours la cave à vin avant de la nettoyer. Le non-respect de cette consigne risque d'entraîner des blessures graves, voire la mort.

Attention: Avant d'utiliser des produits de nettoyage, veuillez lire et respecter les instructions du fabricant afin d'éviter d'endommager l'appareil et de ne pas vous blesser.

Nettoyage général:

- Préparez une solution de nettoyage composée de 3 à 4 cuillères à café de bicarbonate de soude mélangé à de l'eau chaude. À l'aide d'une éponge ou d'un chiffon doux trempé dans cette solution, nettoyez la cave à vin.
- Rincez avec de l'eau tiède propre et séchez avec un chiffon doux.
- N'utilisez pas de produits chimiques puissants, d'abrasifs, d'ammoniaque, ou d'eau de javel, de détergents concentrés, des solvants ou tampons à récurer en fibres métalliques. CERTAINS de ces produits chimiques risquent de dissoudre, d'endommager et ou de décolorer la cave à vin.

- Joint de la porte:**
- Nettoyez les joints de la porte tous les trois mois conformément aux instructions générales. Les joints doivent rester propres et souples pour assurer une parfaite étanchéité.
 - Un lubrifiant à base de pétrole appliqué légèrement sur le côté charnière des joints permettra de conserver leur élasticité et de s'assurer qu'ils resteront bien hermétiques.

Coupures de courant

- Des coupures de courant peuvent se produire en raison d'orages ou pour d'autres raisons. Débranchez le cordon électrique de la prise de courant CA en cas de coupure de courant. Une fois le courant rétabli, rebranchez le cordon électrique sur la prise CA.

Entretien lors des vacances ou déménagement

- Lors de vacances ou d'absences prolongées, débranchez la cave à vin et nettoyez-la ainsi que les joints conformément aux instructions de la section « Nettoyage général ». Ouvrez ensuite les portes et placez des cales afin qu'elles demeurent ouvertes et que l'air puisse circuler à l'intérieur.
- Lors d'un déménagement de l'appareil, déplacez toujours la cave à vin à la verticale. Ne jamais la déplacer en position horizontale, cela pourrait endommager le système frigorifique scellé.

Remarque: Après avoir déménagé, patientez 24 heures avant de rebrancher la cave à vin.

Guide de Dépannage

L'appareil ne fonctionne pas:

- Assurez-vous que l'appareil est branché.
- Assurez-vous que la prise de courant est alimentée en électricité en vérifiant le disjoncteur.

Le vin est n'est pas suffisamment froid:

- La porte est trop souvent ouverte.
- Attendez suffisamment de temps pour que les bouteilles de vin récemment placées dans la cave puissent se refroidir.
- Vérifiez la bonne étanchéité des joints.
- Nettoyez les serpentins condenseurs.
- Réglez la commande de température sur un réglage plus froid.

Le vin est trop froid:

- Si la commande de température est réglée sur une température trop froide, réglez-la sur une température plus élevée..

La cave à vin se met en marche trop fréquemment:

- Cela peut être tout à fait normal les jours où il fait chaud et humide afin que la température à l'intérieur de l'appareil soit constante.
- Il se peut que les portes aient été trop souvent ouvertes ou pendant trop longtemps.
- Nettoyez les serpentins condenseurs.
- Vérifiez la bonne étanchéité des joints.
- Vérifiez que les portes sont bien fermées.

De l'humidité apparaît à l'intérieur ou à l'extérieur de la cave à vin:

- Ceci est normal pendant les périodes humides.
- Les portes sont trop souvent ou trop longtemps ouvertes.
- Vérifiez la bonne étanchéité des joints.

La porte de la cave à vin ne se ferme correctement:

- Mettez à niveau la cave à vin.
- Vérifiez que rien ne gêne la fermeture de la porte (bouteilles, étagères, etc.)

Garantie Limitée

Que recouvre la garantie et pour combien de temps ?

Cette garantie couvre tous les défauts de fabrication ou de matériaux pour une période de :

12 mois pour la main d'œuvre.

12 mois pour les pièces.

5 ans pour le système frigorifique scellé.

La garantie prend effet à compter de la date d'achat de l'article et l'original de la facture doit être présenté au centre de services agréé avant d'effectuer toute réparation.

EXCEPTIONS : garantie pour une utilisation commerciale ou en cas de location

90 jours pour la main d'œuvre (au service après-vente unique-ment)

90 jours pour les pièces

Aucune autre garantie ne s'applique

Qu'est-ce qui est couvert ?

1. Les pièces mécaniques et électriques essentielles au bon fonctionnement de cet appareil sont garanties pendant 12 mois. Cela comprend toutes les pièces sauf la finition et l'habillage.
2. Les éléments du système frigorifique scellé, par ex : le compresseur hermétique, le condenseur et l'évaporateur sont garantis contre tout vice de fabrication pour une durée de 5 ans à partir de la date d'achat. Tout dommage de ces pièces survenu suite à un mauvais traitement ou une utilisation excessive, une manutention incorrecte ou le transport de l'équipement ne sera pas couvert.

Quelles seront mesures prises ?

1. Nous nous réservons le droit de réparer et de remplacer toute pièce mécanique ou électrique défectueuse lors d'une utilisation normale pendant la période de garantie spécifiée.
2. Les pièces et la main d'œuvre ne seront facturées à l'acheteur pour mois. Au-delà de cette période,

seules les pièces sont couvertes par la garantie. La main d'œuvre est au frais du client.

3. Veuillez contacter votre centre de services agréé le plus proche. Pour obtenir le nom de votre centre de services le plus proche, veuillez appeler le 1-877-337-3639.

CETTE GARANTIE COUVRE LES APPAREILS SUR LE CONTINENT NORD-AMÉRICAIN (ÉTATS-UNIS ET CANADA) ET À PUERTO RICO. ELLE NE COUVRE PAS CE QUI SUIT

Les dommages dus à une mauvaise installation.

Les dommages survenus pendant le transport.

Les vices autres que de fabrication.

Les dommages dus à une mauvaise utilisation, à une utilisation excessive, à une altération, au manque d'entretien et à une tension ou un voltage incorrects.

Les dommages dus à une réparation effectuée par un service autre que le revendeur agréé ou le centre de services.

L'habillage et les ampoules remplaçables.

Le transport et l'expédition.

La main d'œuvre (après les 12 mois initiaux).

IL N'EXISTE AUCUNE AUTRE GARANTIE QUE CETTE GARANTIE LIMITÉE, EXPRIMÉE OU IMPLICITE, INCLUANT LES GARANTIES DE QUALITÉ MARCHANDE OU D'APTITUDE DANS UN BUT PARTICULIER.

Les réparations fournies par la présente toute autre réparation.

Cette garantie ne couvre pas les dommages indirects ou secondaires. Dans ce cas, les limitations ci-dessus peuvent ne pas être applicables. Certains états n'autorisent pas les limitations sur la durée d'une garantie implicite. Dans ce cas, les limitations ci-dessus peuvent ne pas être applicables.

Cette garantie vous reconnaît certains droits juridiques ; Il est possible que vous disposiez d'autres droits, pouvant varier d'un état à l'autre.

Haier America
New York, NY 10018

IMPORTANTES MEDIDAS DE SEGURIDAD

Cuando utilice esta unidad siempre siga las precauciones básicas de seguridad incluyendo las siguientes:

1. **Lea todas las instrucciones antes de utilizar esta unidad.**
2. Utilice la cava de vinos solo para su entendido uso como se describe en este manual
3. Este Cava de vinos debe estar correctamente instalada antes de su utilización de acuerdo a las instrucciones brindadas en la sección de instalación de este manual. Ver instrucciones de conexión a tierra.
4. Nunca desenchufe la unidad tirando del cable de corriente. Siempre agarre y sostenga el enchufe firmemente y tire hacia fuera de la toma de corriente.
5. Desenchufe antes de limpiar o antes de hacer algún tipo de reparación. **Nota:** Si por alguna razón es necesario llamar al service nosotros recomendamos que un técnico calificado se encargue del mismo.
6. Reemplaze o repare inmediatamente todos aquellos cables que estén dañados o rasgados. No utilice cables que presenten abrasiones o daños a lo largo del mismo, en el enchufe o en el final de la conexión.
7. Esta unidad no debe ser ubicada en un gabinete o lugar cerrado. Está diseñada para la instalación en lugares abiertos.
8. Si la Cava de vinos no está siendo utilizada, recomendamos que retire la puerta y los estantes de la misma, de modo de reducir el posible daño a chicos.
9. No opere en presencia de gases explosivos.
10. No almacene alimentos ya que la temperatura no es adecuada como para mantener el estado de los mismos.

GUARDE ESTAS INSTRUCCIONES

PELIGRO

Existe el riesgo de que los niños puedan quedar atrapados dentro. Antes de tirar su enfriador de vino, quite las puertas. Deje los anaqueles en su lugar para que los niños no puedan entrar fácilmente en el interior."

Indice

PAGE

Precauciones de Seguridad	1
Partes y Características	3
Instalacion de la Cava	4
Desempacando la Cava	4
Nivelando la Unidad.....	4
Circulacion de aire Adecuada	4
Requerimientos Electricos.....	5
Limitaciones en la Instalacion	5
Uso de Alargues	5
Características y Uso	6
Puesta a Punto	6
Ajuste de Temperatura.....	6
Zona de Temperatura de Flex	7
Estantes	7
Luz Interior	7
Sonidos de la Operacion Normal	7
Cuidado y Mantenimiento Adecuado	8
Limpieza y Mantenimiento	8
Interrupciones de Energia	8
Vacaciones y Traslados	8
Problemas Generales	9
Informacion de Garantia	10

Gracias por utilizar nuestro producto Haier. Este sencillo manual le orientará con respecto al mejor uso que puede darle a su enfriador de vino.

Recuerde de guardar el número de serie y de modelo. Se encuentran en la etiqueta trasera de la unidad.

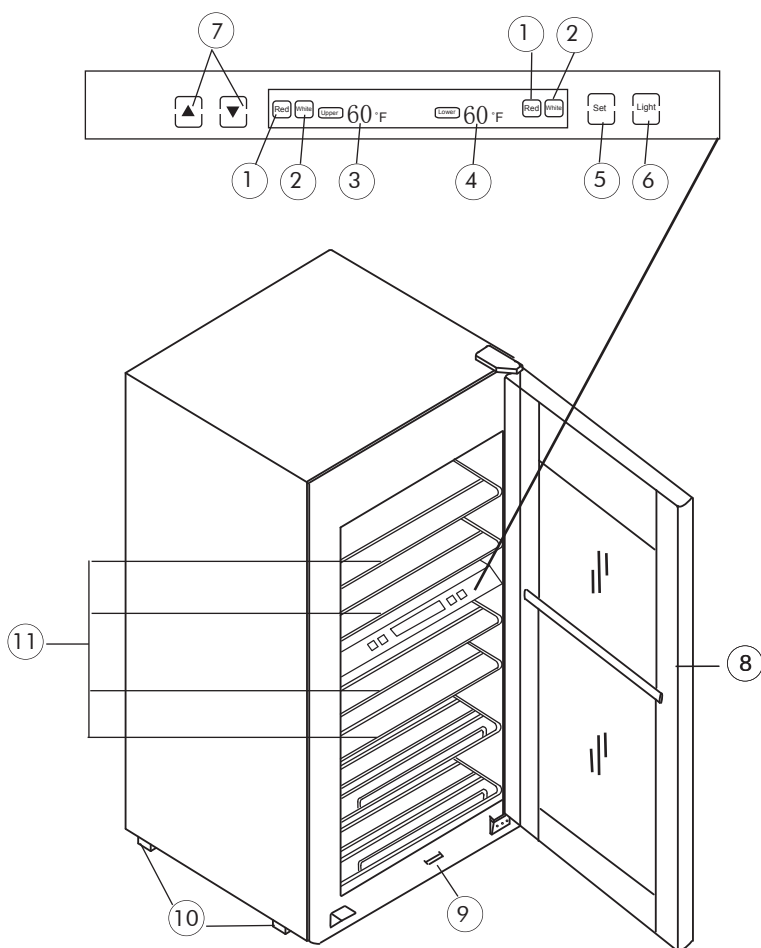
Adjunte su factura a este manual. **Será necesaria para poder hacer uso de los servicios de garantía.**

Número de modelo

Número de serie

Fecha de compra

Partes y Características



- | | |
|--|---|
| 1. Indicador de vino tinto | 7. Ajuste de temperatura (subir/bajar) |
| 2. Indicador de vino blanco | 8. Puerta con panel doble de vidrio entintado |
| 3. Indicador luminoso de temperatura – Compartimiento superior | 9. Patas niveladoras ajustables |
| 4. Indicador luminoso de temperatura – Compartimiento inferior | 10. Estantes interiores |
| 5. Botón para ajuste de temperatura | 11. Interruptor para luz automática |
| 6. Botón para luz interior | |

Nota: Esta figura es solo un diagrama y puede diferir del producto real.

Instalando la Cava de Vinos

Desempacando

1. Retire todos los materiales correspondientes al embalaje. Esto incluye la base de telgopor y todas las cintas adhesivas que sostienen los accesorios y el compresor previniendo de posibles daños al mismo en el traslado.
2. Inspeccione y retire todos los posibles restos de cintas o materiales del packaging antes de enchufar la unidad.

Nivelado de la Unidad

- Su Cava de vinos posee cuatro patas niveladoras que se encuentran ubicadas en el frente y laterales inferiores de la unidad. Luego de ubicar la Cava de Vinos en su posición final usted puede nivelarla.
- Gire las patas en sentido de las agujas del reloj para bajar la unidad o gire en sentido contrario para levantar. La puerta cerrará más fácil cuando la patas niveladoras estén extendidas.

Adecuada Circulación de Aire

- Para asegurarse de que su unidad trabaje al máximo de eficiencia para el que fue diseñado, usted debe instalar la Cava de vinos en un lugar donde exista una adecuada circulación de aire y esten las conexiones eléctricas al alcance.
- Se recomienda dejar los siguientes espacios alrededor de la unidad:
 - Laterales2"(50mm)
 - Arriba2"(50mm)
 - Abajo2"(50mm)
- No sobrecargue la unidad para mantener la circulación de aire en el interior.

Nota: Si la unidad ha sido inclinada o recostada por cualquier causa, espere unas 24 horas antes de poner en funcionamiento.

Requerimientos Electricos

- Asegúrese de que haya una adecuada toma de corriente (115 Volt, 15amp) con la correcta conexión a tierra.
- Evite el uso de adaptadores o alargues y no corte el cable a tierra para poder hacer una conexión a una toma de dos patas. Esto puede ser peligroso ya que la conexión a tierra no será efectiva y se correrán riesgos de daños a la unidad y de shock eléctrico.

Limitaciones de la Instalacion

- No instale la unidad en un lugar no adecuadamente aislado o de mucho calor, por ej, garage, etc. Su Cava de vinos no fue diseñada para operar a temperaturas inferiores a 55 grados fahrenheit.
- Seleccione una ubicación sobre una base resistente y nivelada, lejos de la luz directa del sol u otra fuente de calor como radiadores, artefactos de cocina, etc. En caso de que la superficie del piso no esté nivelada utilice las patas niveladoras.
- Su Cava de vinos está diseñada para la instalación libre y no en lugares cerrados o construídos especialmente para encajar la unidad.

Uso de Alargues

- Evite el uso de alargues de modo de evitar shocks eléctricos en ciertas circunstancias. Si fuese necesario utilizar un alargue, utilice sólo uno de tres cables y con enchufe de tres patas. Debe ser compatible con la unidad.

Características y Uso

Preparacion Inicial

Una vez enchufada la unidad en una toma de corriente eléctrica, deje que la misma funcione durante 30 minutos para que se aclimate antes de hacer algún cambio o ajuste. Durante este tiempo la luz indicadora de vinos tintos debe estar encendida.

Ajustes de la Temperatura: Ver fig. # 1

- Su Cava de Vinos puede acomodarse a cualquier temperatura que usted desee entre 43 y 65 grados F, de acuerdo a sus requerimientos para la guarda del vino. Para establecer la temperatura deseada 3 presione y mantenga por tres segundos el botón de "selección" hasta que la palabra "lock" desaparece. Presione nuevamente el botón de selección. Usted estará en el modo de selección de temperatura, presione "Red wine" o "White wine" para disminuir o aumentar la misma. Una vez alcanzada la temperatura deseada presione el botón de "selección". De esta manera el panel electrónico guardará su selección. Puede demorar algún tiempo antes de que la unidad alcance temperatura establecida.
- Una vez el temperature se pone para el compartimiento superior, usted advertirá que el despliegue de la temperatura parpadea para el compartimiento más bajo. Otra vez apriete el arriba o el botón de flecha hacia abajo aumentar o disminuir la temperatura. Una vez que la temperatura deseada se alcanza, apriete el botón "Fijo". Haciendo esto, el tablero de control electrónico memorizará la colocación. El despliegue de la temperatura leerá la temperatura interior. Puede tomar algún tiempo para alcanzar la temperatura fija.

fig. # 1



- La Cava de vinos está diseñada para establecer automáticamente las temperaturas requeridas para vinos tintos y vinos blancos.

Función automática para tintos y blancos

- Para guardar vinos tintos a una temperatura de 57°F (13°C), presione el botón [Red].
- Para guardar vinos blancos a una temperatura de 47° (8.3°C), presione el botón [White].

Zona de Temperatura de Flexi

Esto ofrece vino amantes un nivel nuevo entero de la flexibilidad de almacenamiento. Flexi-temporero permite la cima y compartimientos inferiores a cada sean puestos en una temperatura entre 43°F - 65°F, independiente de uno al otro. Permitirle almacenar vino su manera.

Estanteria

- Los estantes están diseñados para mayor flexibilidad y una limpieza fácil. Botellas más grandes o Magnums pueden acomodarse fácilmente en los estantes del canasto inferior de la unidad. Usted puede observar que los estantes están diseñados de manera que las botellas no se encimen unas a otras.

Luz Interior Ver fig. #1

- Para complementar la vista de su colección de vinos se encuentran tenues luces interiores. Simplemente presione "Light" en el control electrónico y las luces se encenderán, presione nuevamente para apagarlas. Para una mayor eficacia en el ahorro de energía deje las luces apagadas cuando no esté mirando su colección de vinos.
- Cuando puerta está abierta que la luz pasará a cerrar la puerta, la luz se irá.

Sonidos de la Operacion Normal

- Sonidos como de agua hirviendo, pequeñas vibraciones pueden ser el resultado de la refrigeración circulando a través de las bovinas de enfriamiento.
- El termostato puede producir un "click" cuando enciende y apaga.

Cuidado y Mantenimiento Adecuado

Limpieza y Mantenimiento

Cuidado: Para evitar los riesgos de un shock eléctrico siempre desenchufe la unidad antes de la limpieza. No ignore nunca esta advertencia.

Precaucion: Antes de utilizar productos de limpieza lea y siga siempre las instrucciones del fabricante para evitar daños a la unidad o lesiones físicas.

General:

- Prepare una solución de 3 o 4 cucharadas de bicarbonato de sosa y agua tibia. Utilice una esponja o un paño suave humedecido con la solución anterior para repasar todas las superficies de la Cava.
- Lave con agua tibia y seque con un paño seco.
- No utilice químicos, abrasivos, amoníaco, cloro, detergentes concentrados o esponjitas de metal. Algunos de estos productos pueden dañar o decolorar las superficies de la unidad.

Juntas de las puertas:

- Limpie las juntas de la puerta cada tres meses mínimo de acuerdo a las instrucciones generales. Los bordes y juntas deben mantenerse limpios para lograr un completo sellado de la puerta al cerrarse.
- La aplicación de vaselina en los pliegues asegurará la flexibilidad de las juntas y un correcto sellado.

Interrupciones de Energía

- Ocasionalmente pueden ocurrir cortes de energía debido a tormentas y otras causas. Desenchufe la unidad cuando esto ocurra. Cuando la corriente eléctrica se reestablezca enchufe nuevamente.

Vacaciones y Mudanzas

- Cuando se vaya de vacaciones o tenga una ausencia por un tiempo largo desenchufe y limpie la unidad de acuerdo a las reglas generales de limpieza. Deje la puerta abierta así el aire circula en el interior.
- Cuando tenga que transportar la Cava de Vinos siempre manténgala en posición vertical, nunca mueva la unidad en posición horizontal. (puede causar daños al sistema).

Nota: Luego de mover la unidad deje pasar unas 24 horas antes de conectar la cava nuevamente..

Problemas Generales

La Cava de Vinos no opera:

- Controle que la unidad esté enchufada correctamente
- Controle si hay electricidad en la toma de corriente.

El vino esta demasiado tibio:

- No abra la puerta tan frecuentemente
- De tiempo a los vinos recién almacenados a que alcancen la temperatura deseada.
- Controle que la puerta selle correctamente al cerrarla
- Limpie las bobinas del condensador
- Ajuste a un nivel de temperatura más frío.

El vino está demasiado Frío:

- Ajuste el nivel de temperatura a una posición más cálida.

La Cava de Vinos trabaja muy seguido:

- Esto puede ser normal en orden de mantener la temperatura establecida en días de extrema humedad o calor.
- La puerta puede haber estado abierta por un período largo de tiempo.
- Limpie las bobinas del condensador
- Controle que la puerta selle correctamente al cerrar
- Limpie las juntas y bordes de la puerta

Formación de vapor y humedad en el interior o exterior:

- Esto es normal durante períodos de gran humedad.
- La puerta se abre por períodos de tiempo prolongado.
- Controle que la puerta selle correctamente al cerrar

La puerta no cierra correctamente:

- Nivele la unidad
- Controle que nada esté bloqueando o obstruyendo al cerrar (por ejemplo botellas o los estantes).

Garantía Limitada

Qué cubre y por cuánto tiempo?

Esta garantía cubre todos los defectos en los materiales o los causados por el traslado durante un período de:

12 meses labor

12 meses partes

5 años el sistema sellado

La garantía comienza el día en que el producto fue comprado. La factura original de compra debe ser presentada antes de hacer uso del servicio.

Excepciones: Garantía de uso comercial

90 días (labor)

90 días (partes)

no aplica ninguna otra garantía.

Que es lo que cubre?

1. Las partes mecánicas y eléctricas que se utilizan para el funcionamiento, por un período de 12 meses. Incluye todas las partes menos el acabado final.
2. Los componentes del sistema sellado, por ej. el compresor hermético, condensador, evaporador, de todo defecto de manufactura por un período de 5 años desde la fecha de compra. Cualquier daño a estos componentes causado por abuso mecánico o utilización inadecuada no serán cubiertos.

Que se hará?

1. Repararemos o reemplazaremos cualquier parte mecánica o eléctrica que se compruebe como defectuosa en el funcionamiento normal y durante el período de garantía.
2. No habrá cargos para el comprador por las partes y labor de acuerdo a los ítems anteriores y respetando el período de 12 meses. Luego de ese período sólo los componentes están cubiertos por la garantía. La labor deberá ser abonada por el cliente.
3. Contacte su service autorizado más cercano. Para averiguar el nombre del service mas cercano llame al 1-

877-337-3639

ESTA GARANTIA CUBRE EN LOS EEUU, PUERTO RICO Y CANADA. NO CUBRE LO SIGUIENTE

Daños por instalación impropia
Daños en el embarque y traslado
Otros defectos que no sean de manufactura

Daños por desuso, abuso, accidente, alteración o falta de cuidado y mantenimiento adecuado.

Daños por otro uso que no sea el doméstico.

Daños ocasionados por reparaciones de personal no perteneciente a algún service autorizado.

Decoraciones o reemplazo de la bombita de luz.

Transporte y embarque

Labor (luego de los primeros 12 meses)

ESTA GARANTIA LIMITADA ESTA DADA EN LUGAR DE CUALQUIER OTRA GARANTIA.

Las soluciones dadas por esta garantía son exclusivas y otorgadas en lugar de cualquier otra solución. Esta garantía no cubre daños incidentales o secundarios, de modo que las limitaciones precedentes no lo alcanzan a usted. Algunos Estados no permiten las limitaciones de tiempo de una garantía implícita, de modo que las limitaciones anteriores pueden no aplicarse en su caso.

Esta garantía le da derechos legales específicos, y usted puede contar con otros derechos de acuerdo al Estado donde se encuentre.

Haier America
New York, NY 10018

IMPORTANT

Do Not Return This Product To The Store

If you have a problem with this product, please contact the "Haier Customer Satisfaction Center" at 1-877-337-3639.

DATED PROOF OF PURCHASE REQUIRED FOR WARRANTY SERVICE

IMPORTANT

Ne pas Réexpédier ce Produit au Magasin

Pour tout problème concernant ce produit, veuillez contacter le service des consommateurs 'Haier Customer Satisfaction Center' au 1-877-337-3639.

UNE PREUVE D'ACHAT DATEE EST REQUISE POUR BENEFICIER DE LA GARANTIE.

IMPORTANTE

No regrese este producto a la tienda

Si tiene algún problema con este producto, por favor contacte el "Centro de Servicio al Consumidor de Haier" al 1-877-337-3639 (Válido solo en E.U.A).

NECESITA UNA PRUEBA DE COMPRA FECHADA PARA EL SERVICIO DE LA GARANTIA

Made in China
Fabriqué en Chine
Hecho en China

Haier

Haier America
New York, NY 10018

Printed in China

Part #RF-9999-242