

CARE AND USE MANUAL

For Thermador Professional® PRO-GRAND™
Gas Ranges

MANUEL D'UTILISATION ET D'ENTRETIEN

Pour les tables de cuisson à gaz Thermador
Professional® PRO-GRAND™

Models /
Modèles:
PRG30
PRG36
PRG48

PRL30
PRL36
PRL48

This Thermador Appliance is made by
BSH Home Appliances Corporation
5551 McFadden Ave.
Huntington Beach, CA 92649

Questions?

1-800-735-4328

www.thermador.com

We look forward to hearing from you!

WARNING:

If the information in this manual is not followed exactly, a fire or explosion may result causing property damage, personal injury or death.

- Do not store or use gasoline or other flammable vapors and liquids in the vicinity of this or any other appliance.
- **WHAT TO DO IF YOU SMELL GAS**
 - Do not try to light any appliance.
 - Do not touch any electrical switch.
 - Do not use any phone in your building.
 - Immediately call your gas supplier from a neighbor's phone. Follow the gas supplier's instructions.
 - If you cannot reach your gas supplier, call the fire department.
- Installation and service must be performed by a qualified installer, service agency or the gas supplier.

AVERTISSEMENT

L'information fournie dans le présent manuel doit être rigoureusement suivie, sous risque d'incendie ou d'explosion susceptible d'entraîner des dommages, des blessures ou la mort.

- N'entreposez pas et n'utilisez pas d'essence ou autres produits inflammables à proximité de la cuisinière ou de tout autre appareil.
- **SI VOUS DÉTECTEZ UNE ODEUR DE GAZ**
 - N'allumez aucun appareil.
 - Ne touchez pas aux interrupteurs électriques.
 - N'utilisez pas les téléphones du bâtiment.
 - Appelez immédiatement votre compagnie de gaz de chez un voisin. Suivez les instructions de la compagnie.
 - Si vous n'arrivez pas à contacter votre compagnie de gaz, appelez les pompiers.
- L'installation et les réparations doivent être réalisées par un installateur qualifié, un centre de réparation agréé ou la compagnie de gaz.

INTRODUCTION

Contents

Introduction	1
Gas Type Verification	1
Care and Use Manual Conventions	2
Section 1: General Safety Instructions	
Safety	2 – 3
Precautions	4 – 5
Section 2: Before You Begin	
Before Using Your Range for the First Time	6
Section 3: Description	
Model & Parts Identification – 48" Range	7
Model & Parts Identification – 36" Range	8
Model & Parts Identification – 30" Range	9
Section 4: Using the Cooktop	
Using the Cooktop	10 – 12
Flame Setting Guidelines	12
Proper Cookware	13 – 14
Surface Burner Cooking	
Recommendations	15 – 16
Using the Grill	17 - 18
Grill Cooking Recommendations	19
About the Griddle	20
Griddle Cooking Recommendations	20
Section 5: Using the Oven	
Bake	21
Convection	22
Convection Bake	23
Setting Bake/Convection Bake	24
Other Uses of Bake	25
Baking Recommendations	26
Broil	27
Setting Broil and Convection Broil	28
Broiling and Roasting Recommendations	29
Section 6: Care and Maintenance	
Self-Cleaning the Oven	30 – 31
Range Cleaning Recommendations	32 – 37
Section 7: Before Calling For Service	
Do-It-Yourself Maintenance	38
Before Calling For Service.	39
Data Rating Plate	39
Warranty	40-41

INTRODUCTION

The Thermador Professional® Ranges are free-standing units available in a number of configurations. All models feature a gas cooking surface with a professional size, gas convection, self-cleaning oven with broil capability.

GAS TYPE VERIFICATION

Verify the type of gas supplied to the location. Ensure that the appliance is connected to the type of gas for which it is certified. Models come from the factory certified for use with natural gas or with propane (LP) gas. Make certain your range and gas type are the same. Refer to the product rating label which can be located as indicated on Page 39.



CAUTION:

When connecting the unit to propane gas, make certain the propane gas tank is equipped with its own high-pressure regulator in addition to the pressure regulator supplied with the range. **The maximum gas pressure to this appliance must not exceed 14.0 inches water column (34.9 mb) from the propane gas tank to the pressure regulator.**

IMPORTANT

All ranges must be installed with a backguard. The 30" model comes with a Low Back. For all other models, one of three available backguards must be ordered separately and installed at the back of the range. The three backguard choices include a Low Back, Pot and Pan Shelf, or Island Trim. Before using the range, insure that it is equipped with a proper backguard. Refer to the Installation Instructions accompanying this appliance for more information.

This manual contains important Care and Use information for all Thermador Professional® Ranges. When using this manual, it is critical that you know the model number of your range, as some information will be unique to each range. The model number may be found on the rating plate located on the range as identified on Page 39 of this manual. The charts on the following pages summarize the various range models and identify the features of each range.

Safety Precautions

GAS AND ELECTRICAL REQUIREMENTS AND GROUNDING INSTRUCTIONS

PLEASE READ CAREFULLY

30" Gas Model:

120 volts, 60 Hz.,
15 Amp electrical circuit required.

36" Gas Models:

120 volts, 60 Hz.,
15 Amp electrical circuit required.
36" model with electric griddle - 20
Amp circuit required.

48" Gas Models:

120 volts, 60 Hz.,
15 Amp electrical circuit required.
48" models with electric griddle -
20 Amp circuit required.

CAUTION

FOR PERSONAL SAFETY,
THIS APPLIANCE MUST BE
CONNECTED TO A
PROPERLY GROUNDED
AND POLARIZED ELECTRICAL
POWER SUPPLY.

CAUTION

**Accessible parts may
become hot when the grill
is in use. Young children
must be kept away.**

See Installation Instructions for electrical requirements and
grounding instructions.

It is the personal responsibility and obligation of you, the user, to have
this appliance connected to the electrical power supply in accordance
with the National Electrical Code and/or applicable local codes and
ordinances by a qualified electrician.

CAUTION - ALL MODELS

IN CASE OF AN ELECTRICAL FAILURE

If for any reason a gas control knob is turned ON and there is no
electrical power to operate the electronic igniters on the range's
cooktop burners, turn OFF the gas control knob and wait 5 minutes
for the gas to dissipate before lighting the burner manually.

To light the burners manually, carefully hold a lighted match to the
burner ports and turn the gas control knob to HI. During a power
failure you can use the standard cooktop burners, but each must
be lit with a match.

DO NOT attempt to light the two left burners manually. These
burners are equipped with the ExtraLow® feature and cannot be lit
manually.

WARNING

ALWAYS DISCONNECT THE
ELECTRICAL PLUG FROM THE
WALL RECEPTACLE BEFORE
SERVICING THIS UNIT.

It is recommended that a dedicated
circuit servicing this appliance be
provided.

The use of gas cooking appliances
results in the production of heat
and moisture.

TESTED IN ACCORDANCE WITH:

- ANSI Z21.1 for Household Gas Appliances
- UL858 for Household Electric Ranges
- CAN/CSA-22.2 No. 61-M89 for Household Cooking Ranges
- CAN/CGA 1.1-M81 Domestic Gas Ranges

Check your local building codes for
the proper method of installation.
In the absence of local codes, this
unit should be installed in
accordance with the National Fuel
Gas Code No. Z223.1 current issue
and the National Electrical Code
ANSI/NFPA No. 70 current issue
or the Can - B149 Installation Codes
for Gas Burning Appliances and
C22.1 Canadian Electrical Code
Part 1.

SAVE THESE INSTRUCTIONS

Safety Practices to Avoid Personal Injury

When properly cared for, your new Thermador Professional® Range has been designed to be a safe, reliable appliance. However, use extreme care when using this restaurant caliber range as this type of appliance provides intense heat. When using kitchen appliances, basic safety precautions must be followed, including the following:

Read this Care and Use Manual carefully before using your new range to reduce the risk of fire, electrical shock, or injury to persons.

Insure proper installation and servicing. Follow the installation instructions provided with this product. Have the range installed and electrically grounded by a qualified technician.

Have the installer show you where the gas supply shut-off valve is located so that you know how and where to turn off the gas to the range.

In the event a burner goes out and gas escapes, open a window or a door. Do not attempt to use the range until the gas has had time to dissipate. Wait at least 5 minutes before using the range.

Do not repair or replace any part of the appliance unless specifically recommended in this manual. All other servicing should be referred to a qualified technician.

Children should not be left alone or unattended in an area where appliances are in use. They should never be allowed to sit or stand on any part of the appliance. If children are allowed to use the appliance, they must be closely supervised.

CAUTION: Do not store items of interest to children above or at the back of the range. If children

should climb onto the appliance to reach these items, they could be seriously injured.

Never use any part of the range or oven for storage. Flammable materials can catch fire and plastic items may melt or ignite.

Do not hang articles from any part of the appliance or place anything against the oven. Some fabrics are quite flammable and may catch on fire.

If the range is near a window, be certain the curtains do not blow over or near the range burners; they could catch on fire.

Have an appropriate fire extinguisher available, nearby, highly visible and easily accessible near the appliance. **DO NOT USE WATER ON GREASE FIRES.** Turn appliance off and smother fire with baking soda or use a dry chemical or foam-type extinguisher.

When children become old enough to operate the appliance, it is the legal responsibility of the parents or legal guardians to ensure that they are instructed in safe practices by qualified persons.

Never let clothing, potholders, or other flammable materials come in contact with or too close to any infrared burner, top burner or burner grate until it has cooled. Fabric may ignite and result in personal injury.

Use only dry potholders: moist or damp potholders on hot surfaces may cause burns from steam. Do not use a towel or other bulky cloth in place of potholders. Do not let potholders touch hot infrared burners, hot burners, or burner grates.

For personal safety, wear proper apparel. Loose fitting garments or hanging sleeves should never be worn while using this appliance.

Some synthetic fabrics are highly flammable and should not be worn while cooking.

Do not use aluminum foil to line any part of the oven or range. Use of a foil liner could result in a shock or fire hazard, or the obstruction of the flow of combustion and ventilation air. Foil is an excellent heat insulator and heat will be trapped beneath it. This will upset the cooking performance and can damage the finish of the oven or the range.



WARNING

NEVER cover any slots, holes or passages in the oven bottom or cover an entire rack with materials such as aluminum foil. Doing so blocks air flow through the oven and may cause carbon monoxide poisoning. Aluminum foil linings may also trap heat, causing a fire hazard.



WARNING



TO REDUCE THE RISK OF TIPPING OF THE APPLIANCE, IT MUST BE SECURED BY A PROPERLY INSTALLED ANTI-TIP DEVICE. VERIFY THAT THE ANTI-TIP DEVICE IS ENGAGED PER INSTALLATION INSTRUCTIONS. (NOTE: ANTI-TIP DEVICE IS REQUIRED ON ALL 30" AND 36" RANGES)

Safety Precautions

WARNING: The appliance is for cooking. Based on safety considerations, never use the oven or cooktop to warm or heat a room. Also, such use can damage the cooktop or oven parts.

WARNING

NEVER use this appliance as a space heater to heat or warm the room. Doing so may result in carbon monoxide poisoning and overheating of the oven.

When using the cooktop: **DO NOT TOUCH THE BURNER GRATES OR THE IMMEDIATE SURROUNDING AREA.** Areas adjacent to the burners may become hot enough to cause burns.

Never leave the range unattended when using high flame settings. Boil overs cause smoking and greasy spillovers that may ignite. More importantly, if the burner flames are smothered, unburned gas will escape into the room. See Inside Front Cover regarding gas leaks.

Only certain types of glass, heat-proof glass-ceramic, ceramic, earthenware, or other glazed utensils are suitable for cooking on the range burners. This type of utensil may break with sudden temperature changes. Use only on low or medium heat settings according to the utensil manufacturer's directions.

Do not heat unopened food containers; a buildup of pressure may cause the container to burst.

During cooking, set the burner control so that the flame heats only the bottom of the pan and does not extend beyond the bottom of the pan.

Avoid using high flame setting with a pan larger than the grate or with one that spans more than one

burner, such as a griddle, for prolonged periods of time. This can result in poor combustion that generates harmful by-products.

Use caution to insure that drafts like those from forced air vents or fans do not blow flammable material toward the flames or push the flames so that they extend beyond the edges of the pot.

Always use utensils that have flat bottoms large enough to cover the burner. The use of undersized utensils could expose a portion of the flame and may result in ignition of clothing.

Do not use flammable cleaners to clean the range.

To minimize the risk of burns, ignition of flammable materials and unintentional spillage, position handles of utensils inward so they do not extend over adjacent work areas, cooking areas, or the edge of the range's cooktop.

Hold the handle of the pan to prevent movement of the utensil when stirring or turning food.

DO NOT use pots or pans on the grill section.

Do not use the grill for cooking excessively fatty meats or products which promote flare-ups.

The optional **cutting board accessory must be removed** before operating the griddle beneath or burners adjacent to it.

GREASE IS FLAMMABLE. Let hot grease cool before attempting to handle it. Avoid letting grease deposits collect. Clean after each use.

For proper lighting and performance of the burners, **keep the igniter ports clean.** It is necessary to clean these when there is a boil over or when the burner does not light even though the electronic igniters activate. See Page 35.

WARNING

After a spill or boil over, turn off the burner and clean around the burner and burner ports. After cleaning, check for proper operation.

Clean the range with caution.

Avoid steam burns; do not use a wet sponge or cloth to clean the range while it is hot. Some cleaners produce noxious fumes if applied to a hot surface. Follow directions provided by the cleaner manufacturer.

Be sure all cooktop controls are turned off and the cooktop is cool before using any type of aerosol cleaner on or around the cooktop. The chemical that produces the spraying action could, in the presence of heat, ignite or cause metal parts to corrode.

When using the oven: DO NOT TOUCH THE INFRARED BURNERS, THE INTERIOR SURFACES OF THE OVEN OR THE EXTERIOR AREA IMMEDIATELY SURROUNDING THE DOOR. Interior oven surfaces become hot enough to cause burns. The heat deflector, which deflects heat away from the cooktop and the trim on the top and sides of the oven door, will also be hot when the oven is in use.

Place oven racks in desired position while oven is cool. If a rack must be moved while the oven is hot, do not let the potholders contact the infrared burner.

Use care when opening the oven door; let hot air or steam escape before removing or replacing foods.

Before self-cleaning the oven, remove the broiler pan, oven racks and any other utensils, and excess spillage.



Safety Precautions

Do not clean, rub, damage, move or remove the door gasket. It is essential for a good seal during baking and while self-cleaning the oven. If the gasket becomes worn or excessively soiled with food particles, replace gasket to assure a tight seal.

Protect the self-cleaning feature. Clean only those parts indicated in this booklet. Do not use commercial oven cleaners or oven liner protective coatings of any kind in or around the large self-cleaning oven.

DO NOT obstruct the flow of combustion or ventilation air.

For safety reasons and to avoid equipment damage, never sit, stand, or lean on the oven door.

Service should only be done by authorized technicians. Technicians must disconnect the power supply before servicing this unit.

Listen to be sure the cooling blower runs whenever the oven controls are set to broil or self-clean. If the fan does not operate, do not use the oven. Call an authorized service center for service.

Clean the ventilator hood and filters above the range frequently so grease from cooking vapors does not accumulate on them.

• In case of fire or when intentionally “flaming” liquor or other spirits on the range's cooktop, follow hood manufacturer’s instructions.

IMPORTANT SAFETY NOTICE:

The California Safe Drinking Water and Toxic Enforcement Act requires the Governor of California to publish a list of substances known to the state to cause cancer, birth defects, or other reproductive harm, and requires businesses to warn customers of potential exposure to such substances.

The burning of gas cooking fuel and the elimination of soil during self-cleaning can generate some by-products which are on the list. Exposure to these substances can be minimized by:

1. Providing good ventilation when cooking with gas.
2. Providing good ventilation during and immediately after self-cleaning the oven.
3. Operating the unit according to the instructions in this manual.

BEFORE USING YOUR RANGE FOR THE FIRST TIME, CHECK THAT YOU HAVE THESE ITEMS:

DESCRIPTION	30" 4-Burner	36" w/ Griddle	36" w/ Grill	36" 6-Burner	48" w/ Grill and Griddle	48" w/ Griddle	48" w/ Grill
Oven Racks Large Oven	3	3	3	3	3	3	3
Oven Racks 12-inch Oven					2	2	2
Two-Piece Broil Pan	1	1	1	1	2‡	2‡	2‡
Star Burner Caps	4	4	4	6	4	6	6
Burner Grates	2	2	2	3	2	3	3
Control Knobs	5	6	6	7	8	9	9
Coated Titanium-Surface Grill			1		1		1
Coated Titanium-Surface Griddle		1			1	1	
Product Registration Card	1	1	1	1	1	1	1
Backguard	1	*	*	*	*	*	*
Installation Instructions	1	1	1	1	1	1	1
Use and Care Manual	1	1	1	1	1	1	1

*Backguard must be ordered and shipped separately. It is not included with the range shipment. ‡The aluminum broil pan is for the Secondary Oven; the porcelain broil pan is for the Main Oven.

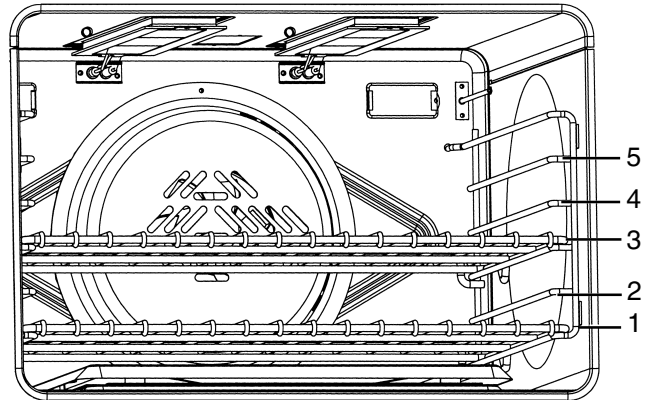
Before Using Your Range for the First Time

Remove all packaging materials and temporary labels from oven and cooktop.

1. Check that you have the items listed on Page 5.
2. **Record the Model and Serial number on Page 39. See "Data Rating Plate."** These may be used for any future contacts with Customer Service. Enter this information on the Product Registration Card included with this product then mail it to the indicated address.
3. **Optional Accessories.** Grill Cover, Grill Plate, Chopping Board, Griddle Cover, Wok Support Ring and other accessories are available from your Thermador Dealer.
4. **Position the racks correctly in the oven.** The correct rack position depends on the recipe and the cooking mode. The rack positions are numbered from the bottom of the oven, like an elevator. Rack position 3 is the most frequently used position. Place rack(s) in the proper position before turning on the oven.

Insert the racks as follows:

- a. Hold the rack with the back rail in the up position towards the rear of the oven. Slip it into the oven so the rack slides are between the rack and the rack guides.
 - b. Tip the front of the rack up slightly as it slides into the oven so that the safety stops clear the rack slides. The safety stops on the back of the rack will keep it from sliding out of the oven when it is pulled forward.
5. **Ensure that the burner caps are correctly seated on the burner bases of the range's cooktop.** Turn on each burner to check for proper flame color. See Page 12 for details.



Large Oven Rack Positions

CAUTION

Aluminum foil should never be used to cover the oven racks or to line the oven. Do not remove the infrared burner in the gas oven.

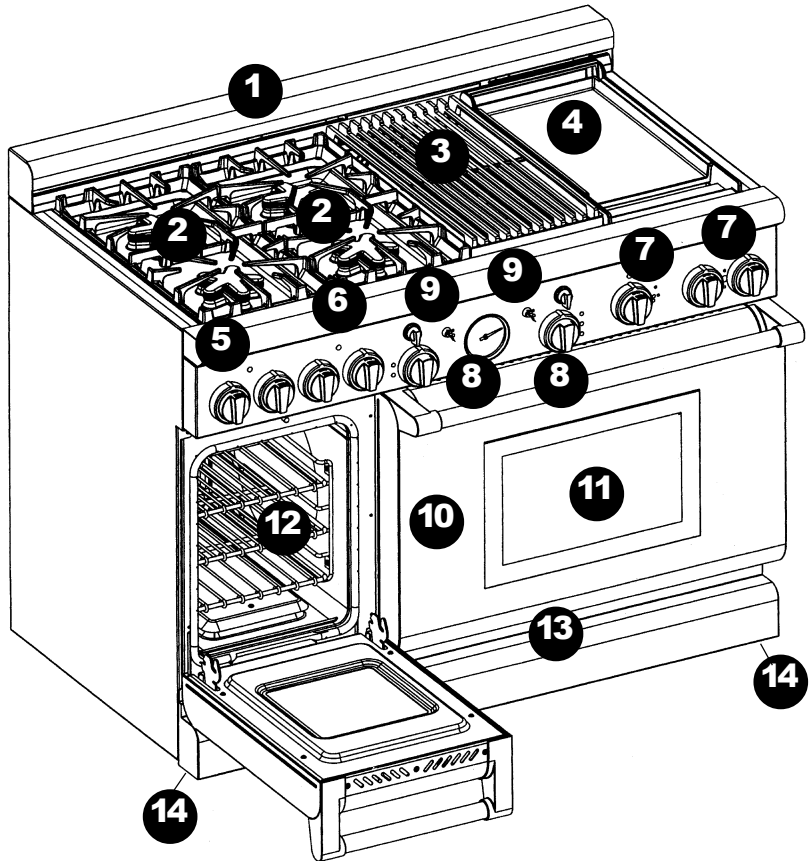
BEFORE BAKING OR BROILING, the oven and broiler should be turned on to burn off the manufacturing oils. Turn the oven on to 450°F (230°C) for 20 to 30 minutes; then turn the broiler to "Broil" for same length of time. You may wish to turn on the ventilator above your range during this time.

Please read Page 37 in Section 6: Care and Maintenance before cleaning the oven racks.

Model and Parts Identification

Key for 48" Models

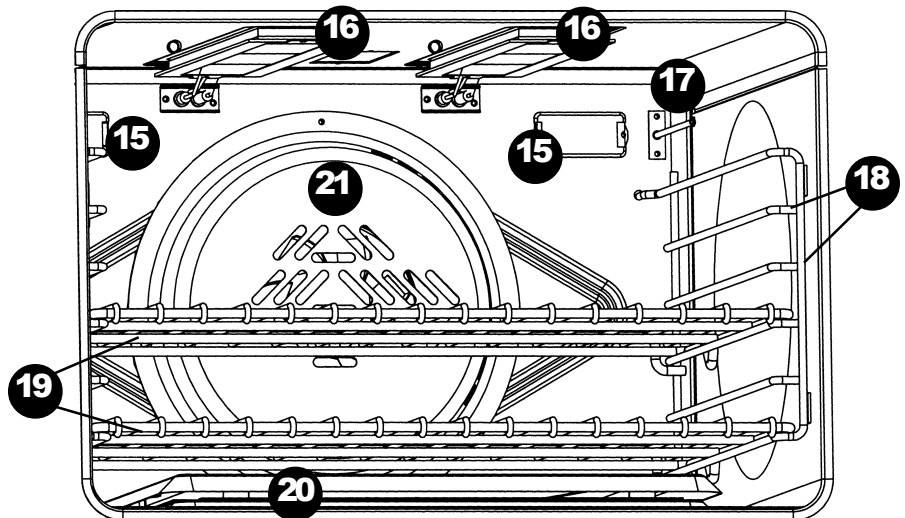
1. 22" Pot and Pan Shelf, 12" Low Back, or Island Trim - shown (Backguard ordered separately)
2. Burner Grates & Burners
3. Gas Grill
4. Electric Griddle
5. Control Knobs, ExtraLow® Burners (2)
6. Control Knobs, Standard Burners (2)
7. Control Knobs, Grill (1) and Griddle (1)
8. Oven Controls, Temperature Indicator
9. Oven Light and Selector Switches, Main and Secondary Ovens
10. Oven Door
11. Viewing Window
12. Secondary Oven (2 racks included)
13. Kick Panel (Product Rating Label Located Behind Kick Panel)
14. Range Feet (4)



! WARNING:
To provide proper ventilation, do NOT remove range feet.

Main Gas Oven Interior

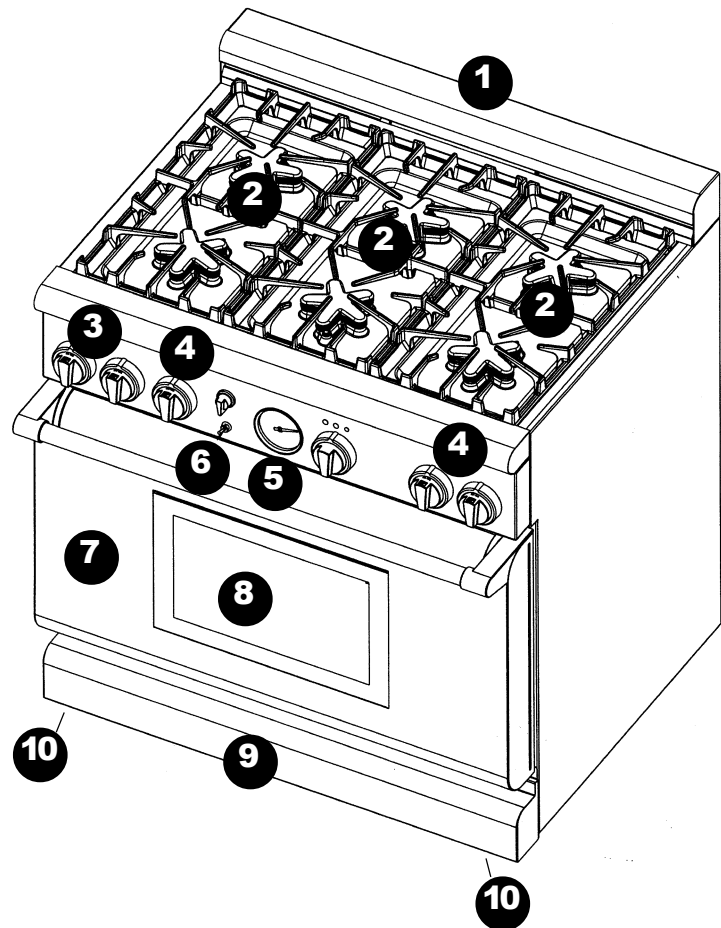
15. Oven Interior Lights (2)
16. Broil Burners (2)
17. Oven Thermostat
18. Rack Guides
19. Oven Rack (3 included, not shown)
20. Bake Burner (hidden)
21. Convection Fan Cover



SECTION THREE: DESCRIPTION

Key for 36" Models

1. 22" Pot and Pan Shelf,
12" Low Back or 4" Island Trim - shown
(Backguard ordered separately)
2. Burner Grates & Burners
3. Control Knobs, ExtraLow® Burners (2)
4. Control Knobs, Standard Burners (4)
5. Oven Controls, temperature
indicator
6. Oven Light and Selector Switches
7. Oven Door
8. Viewing Window
9. Kick Panel (Product Rating Label
Located Behind Kick Panel)
10. Range Feet (4)



WARNING:

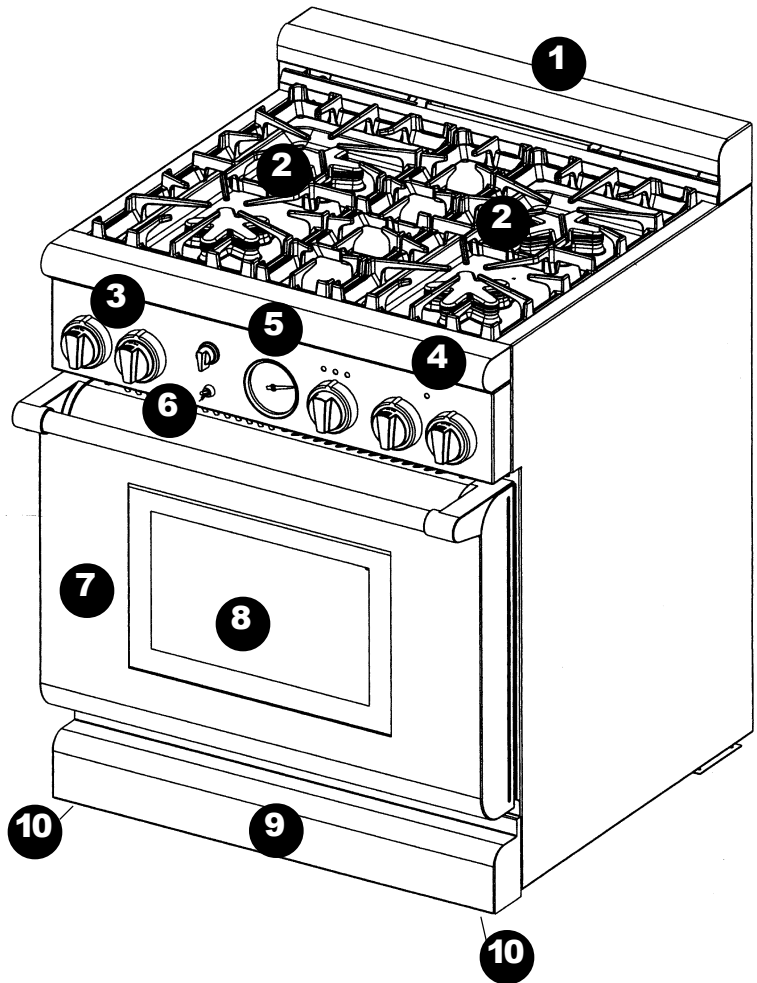
To provide proper ventilation, do NOT remove range feet.

Gas Oven Interior,
Please see Page 7.

Model and Parts Identification

Key for 30" Model

1. 9" Low Back
(Island Trim - shown- and Pot and Pan Shelf ordered separately)
2. Burner Grates & Burners
3. Control Knobs, ExtraLow® Burners (2)
4. Control Knobs, Standard Burners (2)
5. Oven Controls, Temperature Indicator
6. Oven Light and Selector Switches
7. Oven Door
8. Viewing Window
9. Kick Panel (Product Rating Label Located Behind Kick Panel)
10. Range Feet (4)



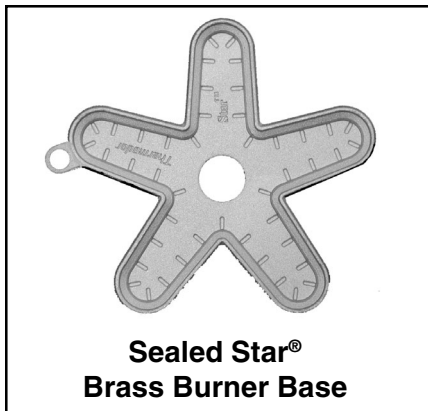
WARNING:

To provide proper ventilation, do NOT remove range feet.

Gas Oven Interior,
Please see Page 7.

Using the Cooktop

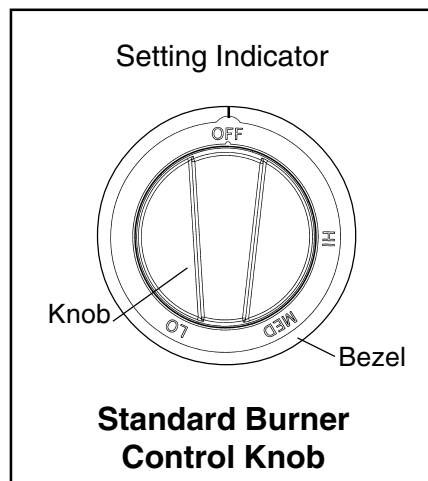
SEALED BURNERS



The cooktop features four or six gas surface burners; each rated at 15,000 BTU/HR (13,000 BTU/HR using Propane). The burners are sealed to the stainless steel top frame to prevent liquid spills from accumulating below the top surface, making it easier to clean. On all models, the two left burners have the exclusive ExtraLow feature, the remaining burners are standard. Each burner has its own control knob.

CONTROL KNOBS

The control knobs for two sealed gas burners, one in front and one in the rear, are located directly in front of and below the pair of burners on the control panel.



The two words above each control knob identifies the burner position. For example, LEFT FRONT, RIGHT FRONT, etc.

BTU Output for Standard Burners

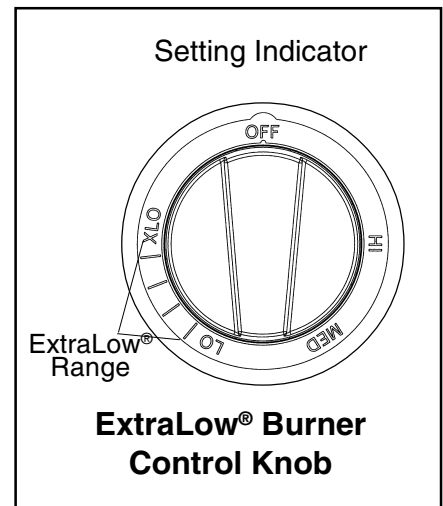
- HI is equivalent to 15,000 BTU/HR (13,000 BTU/HR using Propane).
- LO is equivalent to 2,100 BTU/HR.

BTU Output for ExtraLow® Burners

- HI is equivalent to 15,000 BTU/HR (13,000 BTU/HR using Propane).
- LO is equivalent to 3,000 BTU/HR.
- XLO is equivalent to 370 BTU/HR.

ExtraLow® Burners

The controls for the two left burners, front and rear, have flame settings even lower than the standard LO settings.



The drawing shows that the control knob has an additional range between the LO and XLO settings. When the knob is set within this range, the flame cycles off and on. By varying the length of time the flame is off and on, the heat is reduced even further to cook delicate foods. For example, these very low settings are suitable for simmering and poaching, melting chocolate and butter, holding cooked foods at temperatures without scorching or burning, etc.

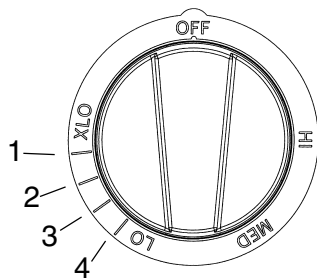
OPERATION OF THE BURNERS

- Press in on the knob and turn it counter-clockwise to the HI setting.
- The igniter for the selected sealed burner clicks and sparks.
- After flame ignition, the igniter stops clicking.
- Rotate the knob to any flame setting between HI and LO.
- The Blue Burner Signal Light, between the burners, will light when adjacent burners are lit. They will remain on until the burner is turned off.

SECTION FOUR: USING THE COOKTOP

Operation of the ExtraLow Burners

- XLO, the very lowest setting, is achieved by cycling the flame ON for approximately 8 seconds and OFF for 52 seconds of each minute.
- When the knob is set just below the LO setting, the flame will cycle ON for approximately 52 seconds and OFF for 8 seconds of each minute.
- To vary the amount of low heat to suit the food and quantity, the control can be set anywhere within the LO and XLO range marked on the knob.



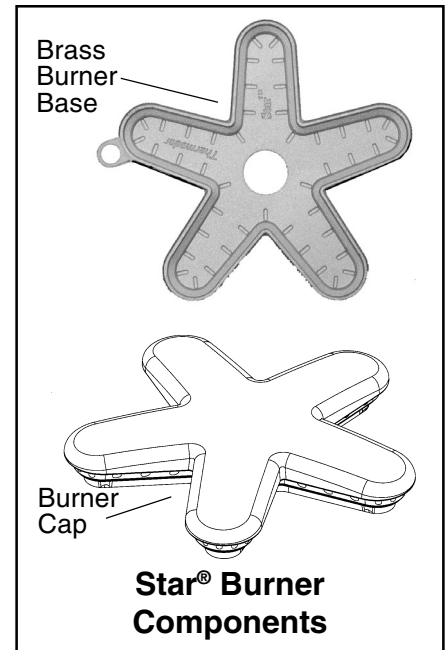
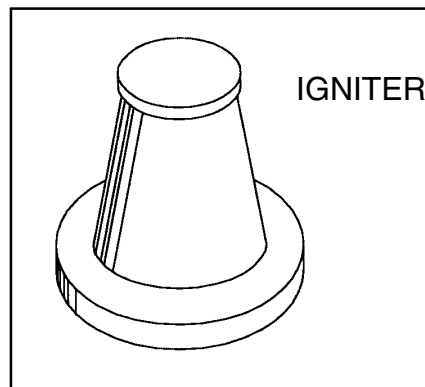
ExtraLow Settings

- The number and dash designations, shown in the drawing, are for reference only. **Numbers do not actually appear on the knob.** The number indicates the position of the flame setting as represented on the cooking chart, Pages 15 and 16, with the flame on longer at the #4 setting than on #1 setting.

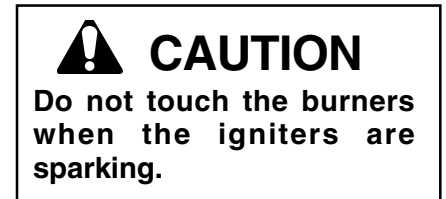
ExtraLow Techniques

- The type and quantity of food affects which setting to use.
- The pan selected affects the setting. Its size, type, material, and whether a lid is used, all affect the consistency of the cooking temperature.

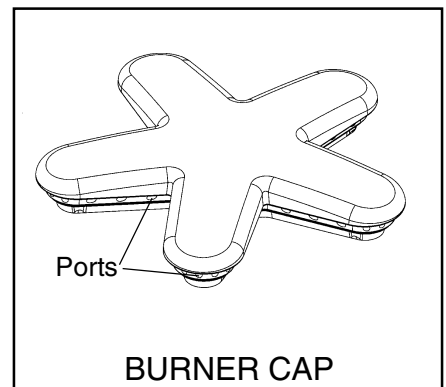
- To maintain a low or simmer heat, bring food to a rolling boil. Stir well, then cover the pan and lower the heat to a setting just below LO.
- Check periodically to see if the control knob should be turned to another setting.
- If an over-size pan is used, the simmer action may occur mainly in the center of the pan. To equalize the temperature throughout the food, stir the food around the outer edges of the pan into the food in the center.
- It is normal to stir food occasionally while simmering. This is especially important when simmering for several hours, such as for a homemade spaghetti sauce or beans.
- When lowering the flame setting, adjust it in small steps.
- If the setting is too low to hold a simmer, bring the food back to a boil before re-setting to a higher heat.
- It is normal not to see simmer bubbles immediately after the food has been stirred.
- There may be bubbling when the flame cycles ON and no bubbles when the flame is OFF. Even when the flame is OFF, there will be steam and a slight quiver on the liquid's surface.



Each burner has its own electronic igniter that sparks when the burner is turned on. Each burner should light in 4 seconds or less. If a burner does not light, check to see that the cap is positioned correctly on the base.



If a burner fails to ignite, refer to the section on Page 39, "Before Calling for Service."



SECTION FOUR: USING THE COOKTOP

AUTOMATIC RE-IGNITION

If any one or more burners or grill blow out, the electronic igniter automatically activates to re-light the flame. **Do not touch the burners when the igniters are active.**

IMPORTANT:

- For proper combustion do not use the cooktop without the burner grates in place.
- There is a slight sound associated with gas combustion and ignition. This is a normal condition.
- On cooktops using propane gas (LP), a slight “pop” sound may be heard at the burner ports a few seconds after the burner has been turned off.

Warning

This product contains or, through ordinary use for its intended purpose, facilitates emission of chemicals or other substances known to the State of California to cause cancer and/or birth defects or other reproductive harm. To minimize exposure to these chemicals:

1. The burners should be adjusted by a certified installer or agency to ensure proper combustion.
2. Ensure proper ventilation with an open window or use a ventilation fan or hood when cooking with Gas.
3. Always operate the unit according to the instructions in this manual.

POWER FAILURE

- In the event of a power failure, only the standard burners can be manually lit. It is necessary to light each one individually.
- If the cooktop is being used when the power failure occurs, turn **all** knobs to the OFF position.
- The standard burners can be lighted by holding a match at the ports and turning the control knob to the HI position. Wait until the flame is burning all around the burner cap before adjusting the flame to the desired height.
- Neither ExtraLow burner can be used during a power failure. **Be sure to turn them off.**
- If either ExtraLow burner is on when a power failure occurs, they cannot be turned back on until both knobs are first turned off.
- The griddle or grill cannot be used during a power failure.
- If you smell gas, refer to safety precautions listed inside the front cover.

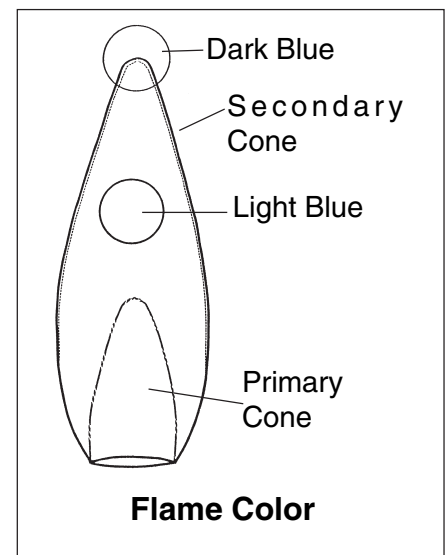
WARNING

In the event of a power failure, all knobs are to be turned to the OFF Position. Only the standard burners can be lit manually.

FLAME HEIGHT

- The correct flame height depends on 1) size and material of pan being used; 2) food being cooked; and 3) amount of liquid in the pan.
- Never extend the flame beyond the base of the pan.
- Use a low or medium flame for pan materials that conduct the heat slowly, such as porcelain coated steel or glass-ceramic.

FLAME DESCRIPTION



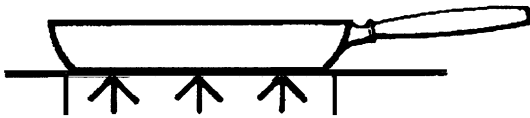
- The burner flame color should be blue with no yellow on the tips. It is not uncommon to see orange in the flame color; this indicates the burning of airborne impurities in the gas and will disappear with use.
- With propane (LP) gas, slight yellow tips on the primary cone are normal.
- The flame should burn completely around the burner cap. If it doesn't, check that the cap is positioned correctly on the base and that the ports are not blocked.
- The flame should be stable with no excessive noise or fluttering.

Cookware Recommendations

CAUTION

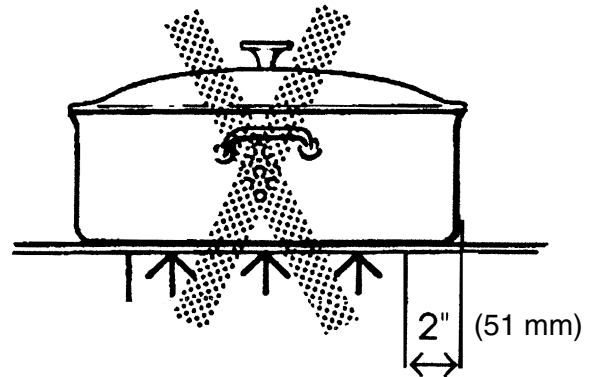
- Food packaged in aluminum foil should not be placed directly on the burner grate. Aluminum foil can melt during cooking.
- Do not let plastic, paper or cloth come in contact with a hot burner grate. They may melt or catch fire.
- Never let a pan boil dry. This can damage your pan and the cooking surface.

- Professional quality pans with metal handles are recommended because plastic handles can melt or blister, if the flame extends up the side of the pan. Professional quality pans are found at restaurant supply stores and gourmet specialty shops. All cookware should have these characteristics: good heat conductivity, good balance, correctly sized base diameter, a heavy, flat base, and a proper fitting lid. For best cooking results, the flame should be contained under the bottom of the pan.
- Aluminum and copper are pan materials that conduct the heat quickly and evenly. These metals are sometimes attached to the base or in the core between stainless steel.



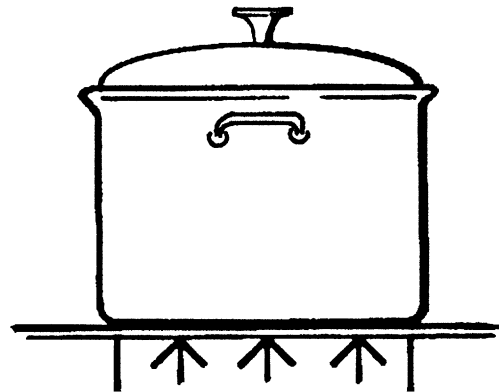
BALANCED PAN

- Balance is important for stability and even cooking. The handle must not be heavier than the pan and tilt it unevenly. A pan must sit level on the grate without rocking or wobbling.



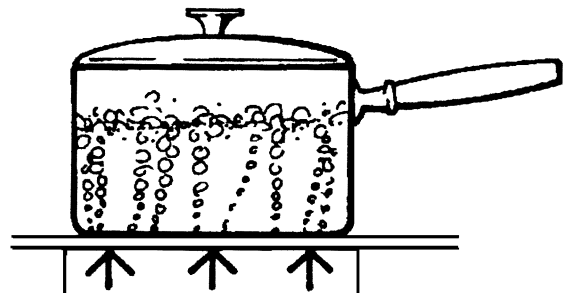
BASE DIAMETER

- Select the base diameter to match the diameter of the flame. The diameter of the flame should be the same size as the pan base or slightly smaller. Oversize or under size pans sacrifice cooking performance. A 5-1/2" (140 mm) base size is generally the smallest recommended.



FLAT BASE PAN

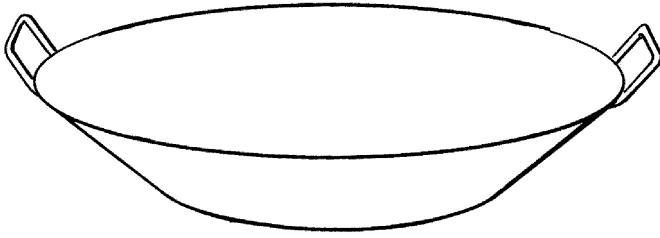
- A heavy, flat base is more apt to remain flat when heated. Pan bases that are warped, dented, ridged or too lightweight will heat unevenly. Heat and cool pans gradually to avoid sudden temperature changes which tend to distort cookware. Do not add cold water to a hot pan.



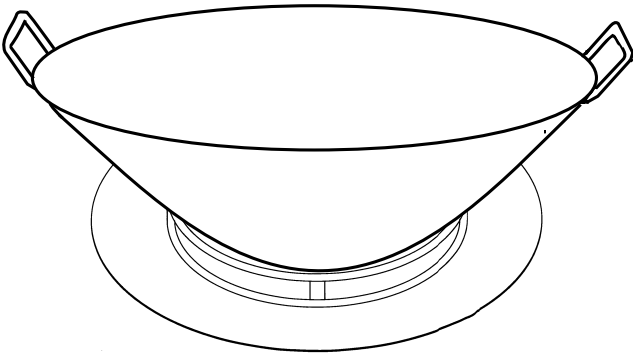
COVERED PAN

- A properly fitting lid will shorten cooking time and make it possible to use lower heat settings.

Specialty Cookware



FLAT-BOTTOM WOK PAN



**ROUND-BOTTOM WOK
IN SUPPORT RING**

- **Woks** – Either flat based or round bottom woks with the accessory ring can be used on models without a built-in wok burner. Round bottom woks must be used with a support ring. The porcelain-coated cast iron wok support ring must be purchased separately.
- **Canners and Stock Pots** – Select one with a base diameter that extends no more than 2 inches (51mm) beyond the grate.

Standard Size Water Bath Canner

21 to 22 quarts (19.95 to 20.9 liters), with an 11 to 12 inch base (279 to 305 mm) and a 9 to 11 inch depth (229 to 279 mm).

Standard Size Pressure Canner

8 to 22 quarts (7.6 to 20.9 liters), with an 8 to 11 inch base (203 to 279 mm) and a 6-1/2" to 12 inch depth (165 - 305 mm).

CANNING TIPS:

- A flat base pan is preferred to one with a concave, convex or rippled base.
- When using two canners at the same time, use staggered burners. Do not block air to the burners. A flame needs the right amount of air for complete combustion.
- Use a cover on a canner when bringing the contents to a boil.
- Once the contents have reached a boil on HI, use the lowest flame possible to maintain the boil or pressure.
- Canning produces a large amount of steam. Take precautions to prevent burns.

COOKING RECOMENDATIONS

SUGGESTIONS FOR USING THE RECOM- MENDATIONS

Use the chart on Pages 15 and 16 as a guide. The settings you use will vary depending on the pans selected and the starting temperature of the food.

On the chart, the "Finish Setting" has been separated for the standard and ExtraLow burners. There may or may not be a change between the two burner settings.

The ExtraLow setting can be either a cooking or a holding setting.

Raise or lower the flame setting gradually. Allow time for the pan and the food to adjust to the new setting.

Surface Burner Cooking Recommendations

Food	Start Setting	Finish Setting Standard Burners	Finish Setting ExtraLow® Burners
BEVERAGES Cocoa	MED – heat milk, cover	LO – finish heating	XLO – keep warm, cover*
BREADS French Toast, Pancakes, Grilled Sandwiches	MED – preheat skillet	MED LO to MED – cook	Same as Standard
BUTTER Melting		XLO – to hold	Allow 5 to 10 minutes to melt
CEREALS Cornmeal, Grits, Oatmeal	HI – cover, bring water to a boil, add cereal	MED LO to MED – finish cooking according to package directions	XLO – to hold, cover*
CHOCOLATE Melting		Use XLO	XLO – allow 10 to 15 minutes to melt XLO – to hold*
DESSERTS Candy	MED LO to MED – cook following recipe	MED LO to MED	Same as Standard
Pudding and Pie Filling Mix	MED LO cook according to package directions	LO	MED LO
Pudding	MED LO – Bring milk to a boil	LO	MED LO – to cook
EGGS Cooked in Shell	MED HI – cover, bring water to a boil, add eggs, cover	Use XLO	XLO – cook 3 to 4 minutes for soft cooked; or 15 to 20 minutes for hard cooked
Fried, Scrambled	MED – melt butter, add eggs	LO to MED LO finish cooking	XLO – to hold for a short period*
Poached	HI – bring water to the boiling point, add eggs	MED to MED HI – finish cooking	Same as Standard
MEAT, FISH, POULTRY Bacon, Sausage Patties	HI – until meat starts to sizzle	MED LO to MED – finish cooking	Same as Standard
Braising: Swiss Steak, Pot Roast, Stew Meat	HI – melt fat, then brown on MED HI to HI , add liquid, cover	Use XLO	Simmer until tender
Quick Frying: Breakfast Steaks	MED HI to HI – preheat skillet	MED HI to HI – fry quickly	Same as Standard
Frying: Chicken	HI – heat oil, then brown on MED	LO – cover, finish cooking	Same as Standard
Deep Frying: Shrimp	HI – heat oil	MED HI – to maintain temperature	Same as Standard
Pan Frying: Lamb Chops, Thin Steaks, Hamburgers, Link Sausage	HI – preheat skillet	MED HI to HI – brown meat	To hold, covered To hold, uncovered
Poaching: Chicken, whole or pieces, Fish	HI – Cover, bring liquids to a boil	Use XLO	To finish cooking

Surface Burner Cooking Recommendations

Food	Start Setting	Finish Setting Standard Burners	Finish Setting ExtraLow® Burners
Simmering: Stewed Chicken, Corned Beef, Tongue, etc.	HI – cover, bring liquid to a boil		Simmer slowly
PASTAS Macaroni, Noodles, Spaghetti	HI – bring water to a boil, add pasta	MED HI to HI – to maintain a rolling boil	Same as for Standard Burners
POPCORN (use a heavy, flat bottom pan)	HI – cover, heat until kernels start to pop	MED HI to HI – finish popping	Same as for Standard Burners
PRESSURE COOKER Meat Vegetables	Med. HI to HI – build up pressure HI – build up pressure	MED LO to MED – maintain pressure MED LO to MED – maintain pressure	Same as for Standard Burners Same as for Standard Burners
RICE	HI – cover, bring water to a boil, add rice, cover		Cook according to package directions XLO – to hold, cover
SAUCES Tomato Base	Med. HI to HI – cook meat/vegetables, follow recipe		Simmer (2 to 3 to thicken sauce, uncovered).
White, Cream, Bernaise,	Med. LO – melt fat, follow recipe	LO to MED LO – finish cooking	XLO – to hold, cover*
Hollandaise	XLO to Lo	XLO	XLO – to hold, lowest setting
SOUPS, STOCK	HI – cover, bring liquid to a boil		Simmer XLO – to hold, cover*
VEGETABLES Fresh	HI – cover, bring water and vegetables to a boil	MED LO to MED – cook 10 to 30 minutes, or until tender	XLO – to hold, cover
Frozen	HI – cover, bring water and vegetables to a boil	MED LO to MED – cook according to package directions	Same as for Standard Burners
Deep Frying	HI – heat oil	MED to MED HI – maintain frying temperature	Same as for Standard Burners
In Pouch	HI – cover, bring water and vegetables to a boil	LO to MED LO – cook according to package directions	Same as for Standard Burners
Saute	HI – heat oil or melt butter, add vegetables	MED LO to MED – cook to desired doneness	Same as for Standard Burners
Stir Fry	HI – heat oil, add vegetables	MED HI to HI – finish cooking	Same as for Standard Burners

* We recommend that these foods be stirred occasionally.

Using the Grill

A VENTILATING HOOD of adequate cubic-feet-per-minute capacity vented to the outside of the house is recommended for installation **ABOVE THE RANGE AND GRILL**. For most kitchens with a wall mounted hood, a certified hood is recommended. The hood must be installed according to installation instructions furnished with the hood and local building code requirements. Refer to ventilation requirements in the Installation Instructions for additional information.

THE GRILL

(Available on some models)

When cooking food on the grill you will achieve the same flavor as meat cooked on an outdoor grill.

This flavor is actually created by the fats and juices that are brought to the surface of the food and seared by the intense heat from the titanium coated grill plate.

Most types of foods, steaks, chops, patties, poultry pieces, etc. cook somewhat faster on the gas grill with its constant regulated heat than on an ordinary charcoal grill.

Your new Thermador Professional® grill is equipped with an aluminized steel tube burner typical of those used in restaurants. Automatic ignition is used to eliminate the continuous pilots found on restaurant grills. The grill burner is rated at 12,000 BTU/HR (same rating using Propane).

NOTE: When used with propane gas, a slight pop or flash may occur at the burner ports a few seconds after the burner has been turned off. This usually occurs after the burner has been on awhile. This is normal.

AUTOMATIC REIGNITION

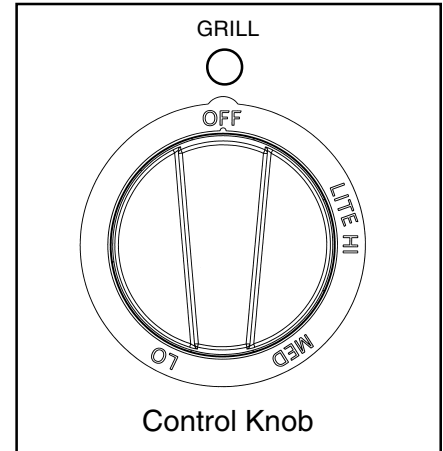
The electronic igniter automatically glows to light the burner. **DO NOT TOUCH any burner while the igniter is active.**

BURNER EFFICIENCY AND FLAME CHARACTERISTICS

The burner flame should be blue in color and stable with no yellow tips, excessive noise or lifting. It should burn completely along both sides of the burner tube.

An improper gas-air mixture may cause either a yellow tipped flame or burner flutter. Have the flame adjusted by a technician. Foreign particles may cause an orange flame during initial use. This will disappear with use.

If the flame is uneven, flutters, makes excessive noise or lifts, check to see if the BURNER ports are clogged. If the ports are clogged, use a wire, a straightened paper clip or needle to clear the ports. If the condition persists, contact a service agency for adjustment.



CONTROL KNOB

The burner control has an infinite number of heat settings, and there are no fixed positions on the control knob between HI and LO. To turn the burner on, press the control knob and rotate it counter-clockwise to the LITE position. After the flame is completely around the burner, adjust the knob to the desired heat setting.

Using the Grill

COOKING ON THE GRILL

- Preheat grill on HI setting for 10 to 15 minutes minimum. The hot grill sears the food, sealing in the juices. The longer the preheat, the faster the meat browns and the darker the grill marks.
- Grilling requires high heat for searing and proper browning. Most foods are cooked at the higher heat settings for most of the cooking time. However, for some foods, it may be necessary to turn the heat to a lower setting after the initial browning. This cooks the food through without burning the outside.
- Foods cooked for a long time or basted with a sugary marinade many need a lower heat setting near the end of the cooking time.
- When the grill has cooled, empty the grease into a grease resistant container. Clean the grease tray and grill plate with warm, soapy water and rinse with clear water.
- The grease tray may be placed in the dishwasher for cleaning.

GRILLING SUGGESTIONS

- Trim any excess fat from the meat before cooking. Cut slits in the remaining fat around the edges at 2" (51 mm) intervals.
- Brush on basting sauce toward the end of cooking.
- Use a spatula or tongs instead of a fork to turn the meat. A fork punctures the meat and lets the juices run out. Be cautious when turning meat over.
- The grill grate has sides and a rear food guard that are designed to make foods easier to turn with a spatula.
- After the juices begin to bubble to the surface, turn the meat only once. This helps keep the juices in the meat.
- Some pieces of meat and poultry cook faster than others. Move those pieces to the cooler area of the grill until the rest have finished.
- The doneness of meat is affected by the thickness of the cut. Chefs say it is impossible to have a rare doneness with a thin cut.
- Add seasoning or salt after grilling.



CAUTION:

- **Do not leave the grill unattended while in use.**
- **If children are allowed to use the grill, they must be closely supervised.**

About the Gas Grill

DESCRIPTION

The built-in grill is made of restaurant-quality aluminum that is coated with titanium. This produces a surface with even heat that is easy to clean.

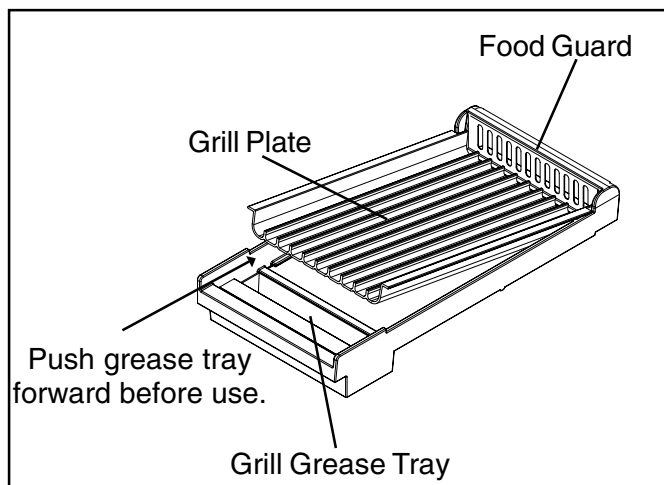
A maple chopping block and stainless steel cover are available as accessories and are purchased separately. Both are sized to fit on top of the surface when the grill is not being used.

The maple chopping block and stainless steel cover **must be removed** before turning the grill on.

Before cooking, verify that the grill is properly assembled. The food guard must be positioned at the back of the grill plate, as shown in the illustration.

Any utensil may be used on the grill surface.

Care should be taken that the surface is not gouged.



CAUTION:

The grill is hot after use. Allow sufficient time for grill components to cool before cleaning.

PREPARING THE GRILL

The grill must be tilted slightly forward for optimum performance. See Installation Manual for procedure to check and adjust the grill for proper tilt of the grill plate. During installation, the installer is responsible for leveling the product. The grill plate should be washed with warm soapy water then rinsed with clear water prior to use.

GRILL GREASE TRAY

- Push the tray under the front edge of the grill overhang to catch grease or food residue.
- Clean the tray after every use. When removing the tray, use care when tipping it so that the contents do not spill.
- After cooling, pour the grease into a grease resistant container for disposal.

GRILL COOKING RECOMMENDATIONS

FOOD	SETTING	TIME (minutes)
Breakfast Sausage	Medium - High	7 to 11
Boneless Chicken Breast	Medium - High	17 to 23
Boneless Pork Chops (1"thick)	High	17 to 20
Ham slices (1/2"thick)	Medium	6 to 8
Filet Mignon (1-1/2" thick)	High	13 to 18
T-Bone Steak (1" thick)	High	15 to 20
Salmon Steak (1" thick)	High	17 to 20
Italian Sausage	High	13 to 16
Ground Beef Patties (6 oz)	High	10 to 15
Hot Dogs	Medium	7 to 12
Skewered Shrimp	Low - Medium	6 to 8
Sliced Fruits or Vegetables	Low - Medium	6 to 10

About the Electric Griddle

(Available on some models)

DESCRIPTION

The built in griddle is made of restaurant quality aluminum coated with titanium. This produces a surface with even heat that is easy to clean.

A maple chopping block and stainless steel cover are available as accessories and are purchased separately. Both are sized to fit on top of the surface when the griddle is not being used.

The maple chopping block and stainless steel cover **must be removed** before turning the griddle on.

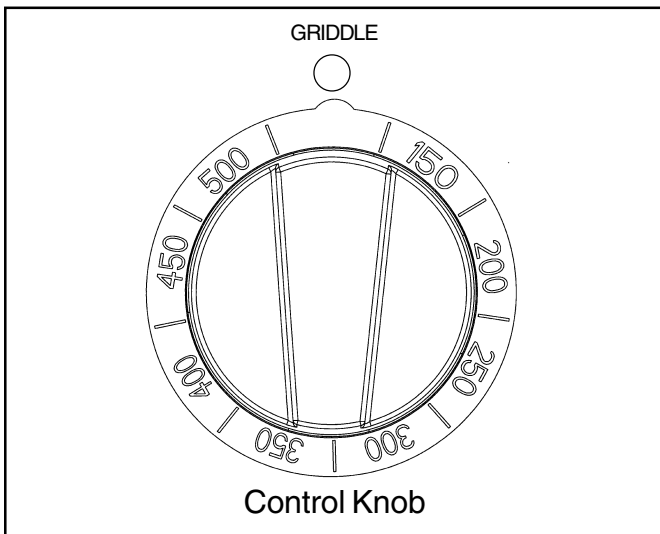
- The electric griddle element is rated 120 volts AC, 1,600 watts.



CAUTION:

The griddle element is hot after use. Allow sufficient time for griddle components to cool before cleaning.

CONTROL KNOB



Control Knob

- The griddle is electronically controlled with temperatures marked on the knob from 150°F to 500°F.
- There are no fixed settings on the knob.
- Press and turn the knob counter-clockwise to the temperature setting.

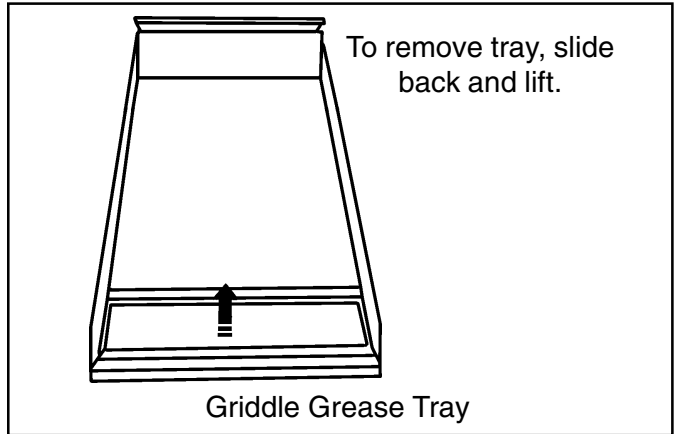
PREPARING THE GRIDDLE

The griddle must be tilted slightly forward for optimum performance. See Installation Manual for procedure to check and adjust griddle for proper tilt of griddle plate. During installation, the installer is responsible for leveling the product. The griddle plate should be washed with warm soapy water then rinsed with clear water prior to use. The griddle may be used without

any butter, margarine or oil. However, a very small amount may be used to flavor foods.

Any utensil may be used on the griddle surface.

Care should be taken that the surface is not gouged when utensils are used.



GRIDDLE GREASE TRAY

- Push the tray under the front edge of the griddle overhang to catch grease or food residue.
- Clean the tray after every use. When removing the tray, use care when tipping it so that the contents do not spill.

Cooking on the Griddle

1. Check that the grease tray is tucked under the griddle plate overhang.
2. Turn the knob to the cooking temperature to preheat the griddle.
3. Preheat 10 to 12 minutes.
4. Add butter, margarine, oil or shortening if desired.

GRIDDLE COOKING RECOMMENDATIONS

FOOD	SETTING
Eggs	300°F to 325°F (150°C to 160°C)
Bacon, Breakfast Sausage	350°F to 375°F (177°C to 190°C)
Toasted Sandwiches	325°F to 350°F (160°C to 177°C)
Boneless Chicken Breasts	350°F to 375°F (177°C to 190°C)
Boneless Pork Chops, 1" thick	375°F to 400°F (190°C to 205°C)
Steaks, 1" thick	375°F to 400°F (190°C to 205°C)
Ground Beef Patties (6 oz)	375°F to 400°F (190°C to 205°C)
Hot Dogs	325°F to 350°F (160°C to 177°C)
Ham Slices, 1/2" thick	350°F to 375°F (177°C to 190°C)
Pancakes, French Toast	350°F to 375°F (177°C to 190°C)
Potatoes, Hash Browns	375°F to 400°F (190°C to 205°C)

Bake

TIPS FOR BAKE

PREHEATING THE OVEN

Preheat the oven before cooking any foods, including large pieces of meat or poultry. See your recipe for preheating recommendation. Preheating time depends on the temperature setting and the number of racks in the oven.

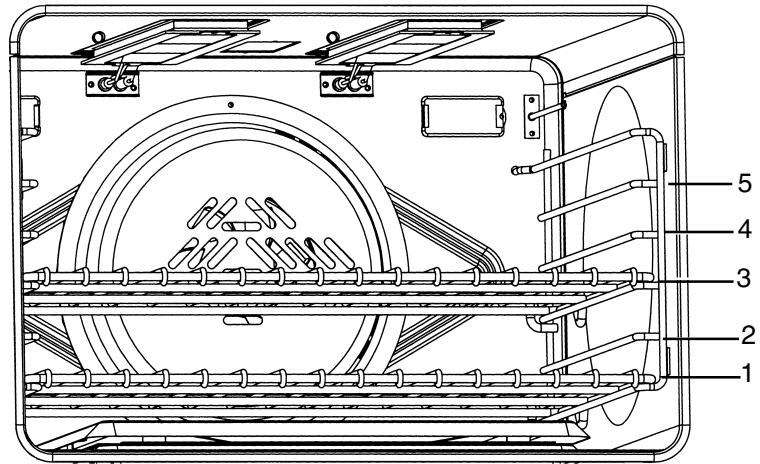
GETTING THE BEST RESULTS

- Minimize opening the door:
 - Use a minute timer.
 - Use the interior oven lights.
- Choose the right size utensil; use the utensil recommended in the recipe.
- Store the broiler pans outside the ovens. An extra pan without food, affects the browning and cooking.
- The type of pan used affects the browning:
 - For tender, golden brown crusts, use light non-stick/anodized or shiny metal utensils.
 - For brown crisp crusts, use dark non-stick/anodized or dark, dull metal utensils or glass bakeware. These may require lowering the bake temperature 25°F.

BAKEWARE TYPE

- Metal bakeware (with or without a non-stick finish), heat-proof glass, glass-ceramic, pottery, or other utensils suitable for the oven.
- Suitable cookie sheets have a small lip on one side only. Heavy sheets or those with more than one side may affect the baking time.
- The 36" and 48" ovens will hold a full-sized commercial baking sheet (18" x 26").

RACK POSITIONS



Large Gas Main Oven with Rack Positions

Bake Rack Positions

Rack level positions in the oven are numbered like an elevator. Number one level is the lowest.

LARGE MAIN OVEN

One Rack Baking

- The Bake mode is best for baking on one rack with rack level #3 used for most baked items. If the item is tall, such as an angel food cake, rack level #2 may be used. Pies are best baked on rack level #2 to make certain the bottom of the crust is done without over browning the top. When large pieces of meat or poultry are roasted, such as a prime rib of beef or a turkey, rack level #2 is the preferred rack.

Two Rack Baking

- Rack levels #2 and #5 may be used when baking on two levels. Foods such as cookies and biscuits work well using these two racks. Casserole dishes may also be baked using these two levels.

Three Rack Baking

- If three-rack baking is desired, the Convection Bake mode should be used.

SECONDARY OVEN (48" Models)

- Baking on rack #3 will result in the best product. When additional height is needed, rack #2 may be used. The use of rack #2 with pies will result in a crisp bottom crust without over baking the top.
- If two rack baking is desired in this small oven, use racks #2 and #5. For best results, stagger baking pans front to rear with the pan on rack #2 toward the rear and the pan on rack #5 toward the front.

■ Placement

- ▲ Allow at least 1" of space between the pans and the oven walls so heat can circulate around each pan.
- ▲ Stagger baking utensils so that one is not directly above another. Allow 1-1/2 inches above and below each pan.

Convection

Cooking with Convection

There are many advantages to cooking with convection. In the convection system, a fan in the back of the oven moves heated air evenly around the oven. The moving air provides even heat so foods can be placed on any rack level with consistent results. Multiple racks of foods can be cooked or large quantities of foods can be cooked at the same time. Foods will cook thoroughly without having to rotate pans.

Low, shallow bake ware should be used with convection cooking. This allows the heated air to circulate around the food. Pans with high sides or pans that are covered are not suitable for convection cooking because high sides or lids prohibit the warm air from circulating around the food.

Your favorite pans and cookware can be used for convection cooking provided they have low sides to allow the heated air to circulate around the food. Any food cooked uncovered will brown evenly and form a nice crust. Foods in covered dishes (casseroles, pot roast) or delicate custards do not benefit from convection cooking.

Convection Baking

Time can be saved by baking an entire batch of cookies at the same time. The cookies will bake evenly and be done all at the same time. The baking time may be shorter due to the warm circulating air. For small items such as cookies, check to see if they are done one to two minutes before the recipe time. For larger baked items such as cakes, check five to six minutes before the time indicated on the recipe.

Convection cooking of meat and poultry will result in foods that are brown and crispy on the outside and moist and juicy on the inside. Large meat or poultry items may cook up to 30 minutes less than the suggested time so check them so they will not be over baked. A meat thermometer or an instant read thermometer will provide more accurate results than the "minute per pound" method. The larger the piece of meat or poultry, the more time you will save.

Converting Conventional Baking to Convection Baking

To convert most recipes for baked items (cookies, cakes, pies, etc.); reduce the oven temperature by 25°F. For meat and poultry, the temperature should not be reduced. The same temperature recommended in recipes and cooking charts for meats and poultry should be used.

Convection Bake

TIPS FOR CONVECTION BAKE

PREHEATING THE OVEN

Preheat the oven before cooking any foods, including large pieces of meat or poultry. See your recipe for preheating recommendation. Preheating time depends on the temperature setting and the number of racks in the oven.

HIGH ALTITUDE BAKING

When baking at high altitudes, in either BAKE or CONVECTION BAKE, recipes and baking times vary. For accurate information, write the Extension Service, Colorado State University, Fort Collins, Colorado 80521. There may be a cost for the bulletins. Specify the type of information you want (example: cakes, cookies, breads, etc.).

CONDENSATION

It is normal for a certain amount of moisture to evaporate from the food during any cooking process. The amount depends on the moisture content of the food. The moisture will condense on any surface cooler than the inside of the oven, such as the control panel.

TEMPERATURE SETTING

When using Convection Bake, reduce the temperature recommended in the recipe by 25°F. The temperature does not need to be reduced when cooking meats and poultry. When roasting meats, check internal temperature prior to time recommended by recipe to prevent over cooking.

RACK POSITIONS

LARGE MAIN OVEN

One Rack Baking

- When baking on one rack, best results are obtained in the bake mode (see Bake).
- When roasting a turkey or a large piece of meat, convection bake may be used. Rack #2 is the most appropriate rack.

Two Rack Baking

- Racks #2 and #5 are most appropriate when using the convection bake mode. Cookie sheets should not be staggered. The cookie sheet on rack #2 should be placed directly under the one on rack #5.
- This may be used for cakes, cookies, biscuits and other foods for which two rack baking is desirable.
- When several casseroles, frozen pies or cakes are to be baked, use racks #2 and #5.
- These two racks can also be used for a large oven meal.

Three Rack Baking

- When several sheets of cookies are to be baked, bake them on racks #1, #3 and #5. Place the baking sheets directly above each other on the respective racks to allow air to flow around the baking sheets.

Bakeware Type

- Aluminum bakeware gives the best browning results.
- Cookie sheets with only two sides give the best results. Aluminum commercial half-sheets or professional cooking utensils may be used. Baking time may be slightly longer.

Placement

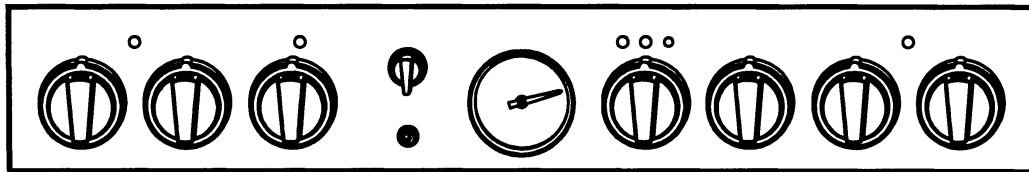
- For better browning, utensils such as cookie sheets, jelly roll pans and rectangular baking pans should be placed crosswise on the rack with the shorter sides on the right and the left. This allows the air to circulate freely.
- When baking on more than one rack, stagger round cake pans but cookie sheets should not be staggered.



■ WHEN USING THE OVEN IN ANY MODE

Never use aluminum foil to cover the oven racks or to line the oven. It can damage the oven and cause a fire hazard if heat is trapped under it. See Page 4.

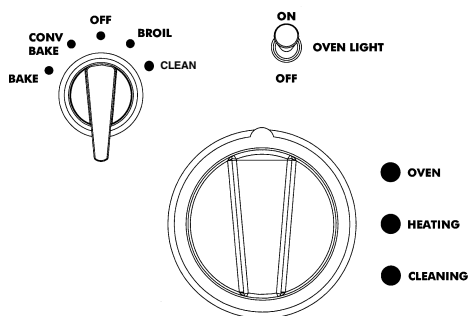
Setting Bake / Convection Bake



BAKE/CONVECTION BAKE

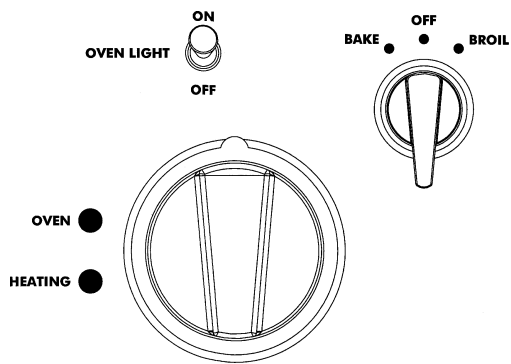
These cooking modes are for baking, roasting or warming using one, two or three racks.

OVEN CONTROL KNOBS (30" MODEL)



NOTE: When the oven is turned on, the cooling blower will turn on automatically. This is normal. When the oven is turned off, the cooling blower remains on until the oven temperature cools to 325°. The cooling blower will also operate during Broil and during the Self-Cleaning cycle. **If the blower is not running during these modes, do not use the oven.** Call a qualified appliance technician to repair the unit.

SECONDARY OVEN CONTROL KNOBS (48" MODELS)



TO SET THE GAS OVEN

1. Select **BAKE** or **CONVECTION BAKE** using the Selector switch.
2. Set Temperature using the Oven Control Knob.
 - ▲ If using **CONVECTION BAKE**, set the oven control knob 25° below temperature suggested in the recipe. No change in temperature if roasting meats or poultry.
 - ▲ The convection fan turns on six minutes after the oven is turned on if **CONVECTION BAKE** is selected.
 - ▲ The **OVEN** and **HEATING** lights turn on.
 - ▲ The temperature indicator will start to rotate toward the temperature setting.
 - ▲ The **HEATING** light cycles off and on. The oven is preheated when the **HEATING** light cycles off the first time.
 - ▲ The temperature indicator will reflect the temperature setting.
 - ▲ The needle of the temperature indicator will move to the new selected temperature if the temperature setting is increased or decreased. **The gauge is for reference only.**
 - ▲ The **OVEN** indicator light illuminates and remains on until the **OFF** Selector switch is turned off or the oven control knob is turned to the **OFF** position.
 - ▲ As the oven cools down the temperature indicator will start to decline, reflecting the actual oven temperature.

TO SET THE SECONDARY OVEN (48" MODELS)

1. Select **BAKE** using Selector switch.
 2. Set Temperature using the Oven Control Knob.
 - ▲ The **OVEN** indicator light turns on.
 - ▲ The **HEATING** light turns on.
 - ▲ The **HEATING** light cycles off and on. The oven is preheated when the **HEATING** light cycles off the first time.
 - ▲ The **OVEN** indicator light remains on until the Selector switch is turned off.
- NOTE:** Temperature indicator is for the main oven only.

Other Uses of Bake

SLOW COOKING AND LOW TEMPERATURE USES OF THE OVEN

In addition to providing perfect temperatures for baking and roasting, the oven can be used at low temperatures to keep hot, cooked foods at serving temperature, to dehydrate food and to warm plates.

Hot cooked foods can be kept at serving temperatures. Set the oven to bake and use the temperature suggested on the chart.

For best results, preheat the oven to the desired temperature.

Foods that need to be kept moist must be covered with a lid or aluminum foil.

⚠ FOOD SAFETY

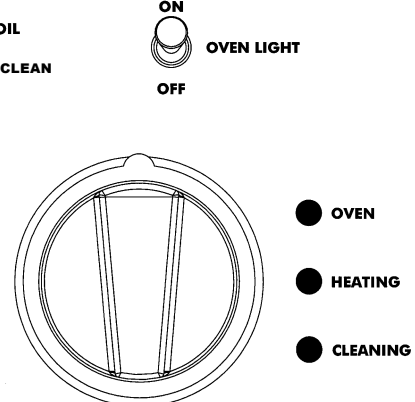
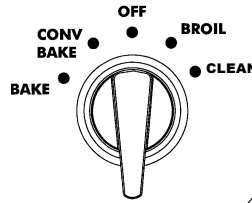
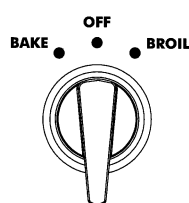
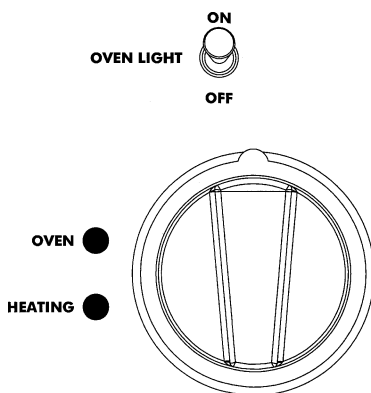
The United States Department of Agriculture advises: DO NOT hold foods at temperatures between 40°F to 140°F more than 2 hours. Cooking raw foods below 275°F is not recommended.

Suggested Temperature Recommendations to Keep Food Hot	
FOOD	OVEN TEMPERATURE °F
Beef	150°F
Bacon	200° - 225°F
Biscuits and Muffins (covered)	175° - 200°F
Casserole (covered)	175° - 200°F
Fish and Seafood	175° - 200°F
French Fried Foods	200° - 225°F
Gravy or Cream Sauces (covered)	175°F
Lamb and Veal Roasts	175° - 200°F
Pancakes and Waffles (covered)	200° - 225°F
Potatoes	
Baked	200°F
Mashed (covered)	175°F
Pies and Pastries	175°F
Pizza (covered)	225°F
Pork	175° - 200°F
Poultry (covered)	175° - 200°F
Vegetables (covered)	175°F

OVEN CONTROL KNOBS

SECONDARY GAS OVEN

LARGE GAS MAIN OVEN



Baking Recommendations

Food	Pan Size	Control Temperature Setting	Total Suggested Cooking Time
Cookies	12"x15" Cookie Sheet	375°	8 to 12 minutes
Layer Cakes	8" or 9" Round	350°	25 to 35 minutes
Sheet Cakes	9"x13" Pan	350°	30 to 40 minutes
Bundt™ Cakes	12 Cup	325°	60 to 75 minutes
Brownies or Bar Cookies	9"x9" Pan	325°	20 to 25 minutes
Biscuits	12"x15" Cookie Sheet	425° or Package Directions	10 to 15 minutes
Quick Bread	8"x4" Loaf Pan	350°	55 to 70 minutes
Muffins	12 cup Muffin Pan	425°	14 to 19 minutes
Fruit Pies	9" Diameter	425°	35 to 45 minutes
Fruit Cobblers	9"x9" Pan	400°	25 to 30 minutes
Yeast Bread, Loaves	8"x4" Loaf Pan	425°	25 to 30 minutes
Dinner Rolls	9"x13" Pan	400°	12 to 18 minutes
Cinnamon Rolls	9"x13" Pan	375°	25-30 minutes
Yeast Coffee Cake	12"x15" Cookie Sheet	400°	20-30 minutes

Broil

BROIL

TIPS FOR BROIL

PREHEAT THE BROILER

It is recommended that you preheat the broiler before starting to cook. Preheat until the temperature indicator reaches broil.

GETTING THE BEST RESULTS

- ▲ Defrost food before broiling.

- ▲ Steaks should be more than 1" thick if rare meat is desired.

- ▲ Turn foods over only once, after half the total cooking time. It is not necessary to turn very thin foods (ham slices, fillets of fish, etc.). Liver slices must be turned over regardless of thickness.

- ▲ Use a minute timer. Set it for the minimum time to check the food.

- ▲ Center foods directly under the infrared burners for best browning.

RACK POSITIONS

Before turning on the oven, place the rack in the desired position. After preheating the broiler, center the broil pan directly under the infrared burners.

Gas Oven

- #5 Use this rack position when broiling beef steaks, ground meat patties, ham steak and lamb chops 1 inch or less in thickness. Also, use when top browning foods.

- #4 Use this rack position when broiling meat 1-1/8 inches or more in thickness, fish, poultry, pork chops, ham steaks 1 inch or more in thickness.

- #3 Use this rack when broiling chicken quarters or halves.

UTENSILS

- ▲ The porcelain enamel two-piece broil pan and grid is included with the range. DO NOT cover the slotted grid (top) with aluminum foil.

- ▲ Use metal or glass-ceramic bakeware when top browning casseroles, main dishes, or bread.

- ▲ DO NOT use heat-proof glass or pottery. This type of glassware cannot withstand the intense heat of the broil element.

- ▲ The two-piece aluminum broiler pan is designed to be used in the Secondary Oven in the 48" Ranges.

BROILING USING A REGULAR MEAT THERMOMETER

For accurately determining the degree of doneness for a thick steak or chop (at least 1-1/2 inches thick), use a regular meat thermometer. Insert the point of the thermometer into the side of the meat to the center of the steak or chop.

For rare steaks, cook the first side to 90°F. For medium or well done steaks, cook the first side to 100°F. Turn and cook the second side to desired internal temperature.

Secondary Gas Oven (48" Models)

Foods may be broiled on racks #3, 4 or 5 depending upon the type and thickness of the food. Rack #5 may be used for top browning of foods.

NOTE:

It is impossible to use the oven and the broiler simultaneously. When one is on, the other one cannot be turned on.

Setting Broil for Gas Oven

BROIL - Gas Oven

Only the dual infrared burners heat in the BROIL mode.

NOTE: Successful broiling requires constant exposure to high, intense heat.

To Set the Oven to Broil

1. Place oven rack in desired position.
 2. Set Selector Switch to BROIL.
 3. Set Oven Control Knob to BROIL setting.
 4. The temperature indicator will rotate to broil after five minutes.
 5. Place food in oven at desired rack position as referenced on Page 27.
 6. The door is to be closed throughout broil cycle.
- ▲ Your Professional® Range comes with a large two-piece broil pan. The slotted grid allows drippings to flow into the lower pan, away from the intense heat of the broil burners, minimizing spattering and smoking.
 - ▲ The 48" models have a small two-piece aluminum broiler pan. It is to be used in the secondary oven.

Oven Heating Light

This light turns on when the oven heats and cycles off when the set temperature has been reached. The cycling continues as long as a BROIL mode is set.

Cooling Blower

The cooling blower turns on as soon as the broiler turns on and remains on until the broiler is turned off and the temperature inside the oven drops to 325°F.

Broiling and Roasting Recommendations

All meats are placed on the broiler pan included with the range.

Food Item	Rack Number	Oven Mode	Control Temperature Setting (F)	Approximate Cooking Time	Special Instructions and Tips
Beef Ground Beef Patties, 1/2" thick	4	Broil	Broil	15 to 20 minutes	Broil until no pink in center
T-Bone Steak	4	Broil	Broil	12 to 20 minutes	Time depends on rareness of steak
Flank Steak	4	Broil	Broil	12 to 20 minutes	Rare to Medium Rare
Eye of Round Roast	3	Bake or Conv Bake	325°	20 to 25 min/lb	Small roasts take more minutes per pound; reduce time by using Conv Bake
Pork Loin Roast	3	Bake or Conv Bake	325°	20 to 25 min/lb	Cook until juices are clear
Poultry Boneless Skinless Chicken Breasts	4	Broil	Broil	20 to 25 minutes	Cook until juices are clear
Chicken Thighs	3	Broil	Broil	25 to 30 minutes	Remove skin; Cook until juices are clear
Half Chickens	3	Broil	Broil	30 to 45 minutes	Turn with tongs; Cook until juices are clear
Roast Chicken	2	Bake or Conv Bake	350°	75 to 90 minutes	Do not stuff; reduce time by using Convection Bake
Turkey	2	Bake or Conv Bake	325°	20 to 25 min/lb	Do not stuff; reduce time by using Convection Bake

Self-Cleaning the Oven



Warning

- Children should not be left alone or unattended in an area where appliances are in use.
- During the self-clean cycle, exterior surfaces may become hotter than usual. Parts of the appliance may become potentially harmful to children, and to persons who lack adult knowledge of appliances and lack adult reactions to potentially harmful conditions. Keep these individuals away during self-clean and while the appliance is in use.
- The elimination of soil during self-cleaning process may facilitate the emission of small amounts of chemicals or other substances that may be harmful upon sufficient exposure. To minimize exposure to these substances, provide good ventilation with an open window, or use a ventilation fan or hood.
- Keep pet birds out of the kitchen or other rooms where kitchen fumes could reach them. During self clean, fumes are released that may be harmful to birds.

LARGE GAS MAIN OVEN

The self-cleaning mode of your new range features pyrolytic self-cleaning. When set to the CLEAN mode, the oven reaches a high temperature, approximately 830°F, that burns off the food soil.

When the oven is set for CLEAN, the cooktop burners and electric griddle may be used. The secondary oven (48" models), the griddle and/or the grill cannot be used.

It is common to see smoke and/or flames during the CLEAN cycle, depending on the content and amount of soil remaining in the oven. If a flame persists, turn off the oven and allow it to cool before opening the door to wipe up the excessive food soil.

At the end of the CLEAN cycle, some gray ash or burned residue may remain inside the oven. This is a mineral deposit that does not burn or melt. The amount of ash depends on how heavily soiled the oven was before it was cleaned. It is easily removed, when the oven is cold, using a damp paper towel, sponge, or cloth.

Wipe off any smoke residue that remains on the front frame with Formula 409® or Fantastik®. If stain remains, use a mild liquid cleanser. The amount of smoke stain is directly related to the amount of food soil left in the oven at the time of self-cleaning. Clean the oven often.

BEFORE SELF CLEANING THE OVEN

Wipe out puddles of grease and any loose soil that can be easily removed.

Remove any soil that is outside the door seal area. This appliance is designed to clean the oven interior and that portion of the door that is inside the oven. The outer edges of the door and the oven cavity are not in the cleaning zone. Wipe this area clean **BEFORE SETTING THE OVEN TO SELF-CLEAN.**

- **Remove all utensils.**
- **Remove Racks.**
- **Clean the oven front frame and outer door edges. Wipe up large spillovers and grease.**
- **Be sure the light bulbs and glass covers are in place.**
- **Turn on the ventilator hood above the range and leave it on until the oven has completed the self-clean cycle.**

IMPORTANT: For the first Self-Cleaning cycle, remove small animals and birds from the kitchen and surrounding areas. Open a nearby window for additional ventilation.

If another clean cycle is initiated at the end of a clean cycle and the temperature of the oven is still above 500°, the LED will start blinking to indicate the range has not completely cooled down after the first cycle. The oven cannot be used until the oven temperature drops below 500° and the door is unlocked.

LOCK

When the CLEAN cycle starts, the automatic door lock cycle begins. The temperature gauge begins to move to CLEAN five minutes after the clean mode is initiated. Check the door to confirm that it is locked. You can stop the clean cycle by selecting the OFF position. The CLEANING light will turn off only after the oven has cooled below 500°F, and the automatic door lock has completed its cycle to the open position.

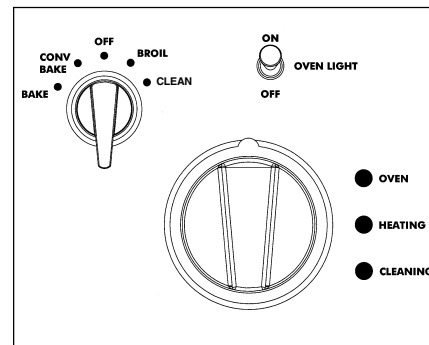
Make certain that the oven door is locked at the beginning of the self-cleaning cycle.

Self-Cleaning the Oven

To Set Self-Clean for the Large Main Oven

1. Select CLEAN using the Selector switch.
2. Set Oven Control Knob to CLEAN.
 - ▲ Cooling Blower turns on.
 - ▲ OVEN indicator light and HEATING light turn on.
 - ▲ LOCK light turns on.
 - ▲ Temperature indicator rotates to CLEAN after five minutes.
 - ▲ The door closing process takes approximately 60 seconds to complete, at which time the door becomes locked.
Check to make certain the door is locked.

30" MODEL OVEN CONTROL KNOBS



AT THE END OF THE CLEAN CYCLE

The Clean cycle takes 4 to 5 hours to complete. The blower and the OVEN indicator light and the CLEAN light turn off when the cycle is finished. Do not turn the selector switch or the oven control knob to the OFF position until the LOCK light goes off.

1. Select OFF using the Selector Switch.
 - ▲ The door latch will open automatically when the oven is below 500°F and the automatic Door Lock completes its 60 second cycle to the OPEN position.
 - ▲ The cooling blower turns off when the oven temperature drops to 325°F.
2. Turn Oven Control Knob to OFF position.

CAUTION

The interior of the oven will still be at baking temperatures when the LOCK light turns off and the oven door can be opened.

CLEANING HINTS

1. The porcelain enamel finish is acid resistant, but not acid proof. Acidic foods, such as citrus juices, tomatoes, rhubarb, vinegar, alcohol or milk, should be wiped up and not allowed to bake onto the porcelain during the next use.
2. Remove the oven racks. See Racks, on Range Cleaning Recommendations, Page 37.
3. The infrared burner in the oven does not require cleaning; the elements burn themselves clean when the oven is in use.
4. The secondary oven (48" models only) does not have the Self-Clean feature. Use caution when cleaning the secondary oven. Use hot sudsy water; rinse and dry thoroughly.

Range Cleaning

WHEN CLEANING THIS RANGE:

1. Use the mildest cleaning procedure that will do the job efficiently and effectively. Some cleaners of the same type are harsher than others. Try on a small area first.
2. Always rub metal finishes in the direction of the polish lines for maximum effectiveness and to avoid marring the surface.
3. Use only clean soft cloths, sponges, paper towels, fibrous brushes, plastic, non-metal or steel wool soap pads for cleaning and scouring, as recommended on the chart.
4. Any part of this appliance can be cleaned with hot sudsy water. When rinsing is required, rinse thoroughly.
5. Always wipe dry immediately to avoid water marks.

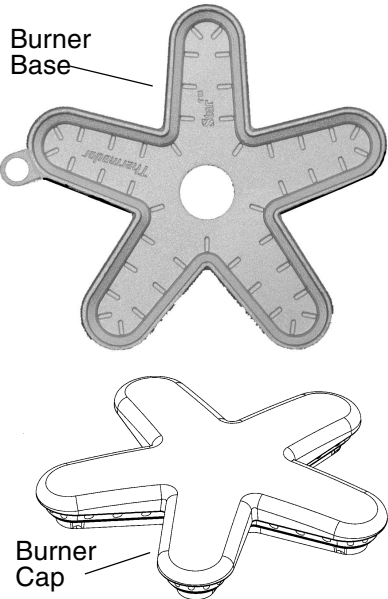
⚠ CAUTION

Avoid cleaning any part of the range while it's hot.

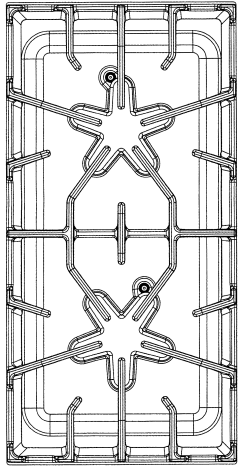
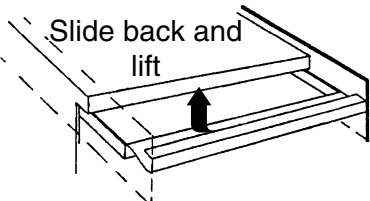
BRAND NAMES

The use of brand names is intended only to indicate a type of cleaner. This does not constitute an endorsement. The omission of any brand name cleaner does not imply its adequacy or inadequacy. Many products are regional in distribution and can be found in the local markets. It is imperative that all products be used in strict accordance with instructions on the package. The following chart gives directions for cleaning this range.

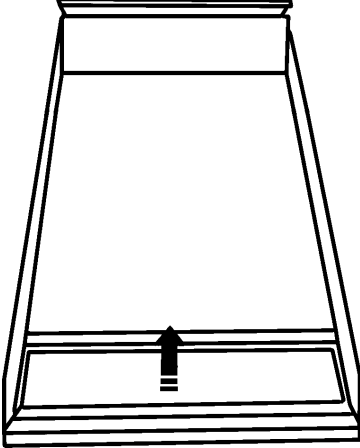
COOKTOP CLEANING RECOMMENDATIONS

Part / Material	Suggested Cleaners	Important Reminders
<p>Brass Burner Base and Cast Iron Cap</p>  <p>Star® Burner Components</p>	<ul style="list-style-type: none"> • Hot sudsy water; rinse and dry thoroughly. • Mild Abrasive Cleansers: Bon Ami®, Cameo® Aluminum and Stainless Steel Cleaner, Wright's® All Purpose Brass Polish. • Liquid cleaners: Kleen King®. • Stiff nylon bristle tooth brush to clean port openings. • Reassemble as shown. Make sure that the burner cap is seated on the base. 	<ul style="list-style-type: none"> • Do not scratch or gouge the port openings of burner cap.
<p>Control Knobs/Plastic Bezels/Chrome</p>	<ul style="list-style-type: none"> • Hot sudsy water; rinse and dry immediately. 	<ul style="list-style-type: none"> • Do not soak knobs. • Do not force knobs onto wrong valve shaft.

Cleaning Recommendations

Part / Material	Suggested Cleaners	Important Reminders
<p>Exterior Finish/Back Guard Stainless Steel</p>	<ul style="list-style-type: none"> • Nonabrasive Cleaners: Hot water and detergent, ammonia, Fantastic®, Formula 409®. Rinse and dry immediately. • Cleaner Polish: Stainless Steel Magic® to protect the finish from staining and pitting; enhances appearance. • Hard water spots: Household vinegar. • Mild Abrasive Cleaners: Siege Stainless Steel and Aluminum Cleaner, Kleen King® Stainless Steel liquid cleaner. • Heat discoloration: Cameo®, Barkeepers Friend®, Zud®, Wright's® All Purpose Brass Polish. 	<ul style="list-style-type: none"> • Stainless steel resists most food stains and pit marks providing the surface is kept clean and protected. • Never allow food stains or salt to remain on stainless steel for any length of time. • Rub lightly in the direction of polish lines. • Chlorine or chlorine compounds in some cleaners are corrosive to stainless steel. Check ingredients on label.
<p>Grates: /Porcelain Enamel on Cast Iron</p> 	<ul style="list-style-type: none"> • Nonabrasive cleaners: Hot water and detergent, Fantastic®, Formula 409®. Rinse and dry immediately. • Mild abrasive cleaners: Bon Ami® and Soft Scrub®. • Abrasive cleaners for stubborn stains: soap-filled steel wool pad. • Lestoil® or other degreaser. 	<ul style="list-style-type: none"> • The grates are heavy; use care when lifting. Place on a protected surface. • Blisters/crazing/chips are common due to the extreme temperatures on grate fingers and rapid temperature changes. • Acidic and sugar-laden spills deteriorate the enamel. Remove soil immediately. • Abrasive cleaners, used too vigorously or too often can eventually mar the enamel.
<p>Grill or Griddle Grease Tray/Titanium-surfaced Aluminum</p> 	<ul style="list-style-type: none"> • Clean the grease tray after each use. • May be placed in dishwasher. • Wash in detergent and hot water; rinse and dry. • Stubborn soil: Soft Scrub® 	<ul style="list-style-type: none"> • Empty grease tray after each use. • Remove tray after grease has cooled. Be careful not to fill it so full that tipping to remove it spills the grease.

Cleaning Recommendations

Cooktop Part / Material	Suggested Cleaners	Important Reminders
<p data-bbox="164 296 509 363">Grill or Griddle/Titanium-surfaced</p> 	<ul data-bbox="594 296 1011 751" style="list-style-type: none"> • Remove drip tray and discard grease into a grease resistant container for disposal. Wash drip tray in warm soapy water or place in dishwasher. Wipe griddle or grill surface with warm soapy water then rinse with warm water. Wipe dry with a soft cloth. • If food particles stick to the grill or griddle plate, remove with a mild abrasive cleaner such as Soft Scrub®. 	<ul data-bbox="1052 289 1446 541" style="list-style-type: none"> • Never flood a hot griddle or grill with cold water. This can warp or crack the aluminum plate. • Do not clean any part of the grill or griddle in a self-cleaning oven.

Cleaning Recommendations

Part / Material	Suggested Cleaners	Important Reminders
Igniters/Ceramic	<ul style="list-style-type: none"> • Use a cotton swab dampened with water, Formula 409® or Fantastic®. 	<ul style="list-style-type: none"> • Do not use sharp tool to scrape the igniter. It is fragile; if it is damaged the grill cannot be lit.
Surface Spill Trays/ Stainless Steel	<ul style="list-style-type: none"> • Hot sudsy water; rinse and dry thoroughly. • Formula 409® or Fantastic®. Wipe spray off immediately or apply to a paper towel first and then wipe spill. • Mild Abrasive Cleansers: Cameo®, Zud®, Barkeepers Friend®. Liquid cleaners: Kleen King®, Siege Stainless Steel and Aluminum Cleaner, Wright's® All Purpose Brass Polish. Apply with care. 	<ul style="list-style-type: none"> • Acidic and sugar-laden spills deteriorate the stainless steel. Remove soil immediately. • Abrasive cleaners, used too vigorously or too often, can eventually mar the stainless steel.
Trim Strips (Located between stainless steel spill trays; they join the spill trays.)	<ul style="list-style-type: none"> • Hot sudsy water; rinse and dry thoroughly. • Formula 409® or Fantastic®. Wipe spray off immediately or apply to a paper towel first and then wipe soil. 	<ul style="list-style-type: none"> • The over-spray from liquid cleaners may leave an outline shadow. If allowed to dry, it may leave a permanent outline.

Cleaning Recommendations

Part/Material	Cleaning Products/Directions
<p>Oven</p> <p>Broil Pan Grid Porcelain Enamel Aluminum (secondary oven)</p>	<p>DO NOT CLEAN IN SELF-CLEANING OVEN To loosen cooked on food, sprinkle empty hot grid with powdered laundry detergent or squirt with liquid detergent and cover with wet paper towels. Allow to stand.</p> <p>Hot sudsy water.</p> <ul style="list-style-type: none"> • Wash, rinse thoroughly, and dry. <p>Cleaners: Soft Scrub®.</p> <ul style="list-style-type: none"> • Apply with a damp sponge or cloth according to manufacturer’s directions. Rinse and wipe dry. <p>Powdered Cleanser: Bon-ami®, Comet®, Ajax®.</p> <ul style="list-style-type: none"> • Apply with a damp sponge or cloth according to manufacturer’s directions. Rub lightly, it may scratch the finish. Rinse thoroughly and wipe dry. <p>Soap-filled fiber or steel wool pads: S.O.S®, Brillo®.</p> <ul style="list-style-type: none"> • Dampen pad, rub lightly, it may scratch the finish. Rinse thoroughly and wipe dry.
<p>Cavity Porcelain Enamel on Steel</p>	<p>Porcelain enamel is acid resistant, but not acid proof. Acid foods such as citrus juices, tomatoes, rhubarb, vinegar, alcohol or milk, should be wiped up and not allowed to bake onto the porcelain during the next use. Over a period of time, the porcelain may craze (get fine hairlike lines) This will not affect oven performance.</p>
<p>Large Main Oven</p>	<p>See Self-Cleaning instructions, Pages 33 and 34.</p> <p>NOTE: Due to the high temperatures used for self-cleaning, the oven may develop fine hairlike lines or surface roughness. This is a common condition and does not affect either the cooking or the cleaning performance of the oven.</p>
<p>Secondary Oven</p>	<p>Hot sudsy water.</p> <ul style="list-style-type: none"> • Wash, rinse thoroughly, and dry. <p>Mild Cleaners: Bon-ami®, ammonia, or ammonia and water, Soft Scrub®.</p> <ul style="list-style-type: none"> • Apply to a damp sponge or cloth. Rub lightly. Rinse thoroughly. Dry. If food has burned onto the oven and is difficult to remove, the spots can be soaked with a cloth saturated with household ammonia. Close the door and allow it to soak for an hour or two, or until the food soil can be easily removed with a damp soapy cloth or mild abrasive. A solution of about 3 tablespoons of household ammonia in a half cup of water may be placed in the warm oven over night. This will loosen hardened residue and spillage so that it may be easily wiped up. The ammonia solution may be added to warm water for a thorough wiping of the oven.

SECTION SIX: CARE AND MAINTENANCE

Cleaning Recommendations

Part/Material	Cleaning Products/Directions
Front Frame Stainless Steel	See Cooktop, Back Guard, Page 33.
Oven Racks Nickel Plated	<p>Racks may be cleaned in the oven during the clean cycle, however, they will lose their shiny finish and change to a dark, metallic gray.</p> <p>Hot sudsy water.</p> <ul style="list-style-type: none"> Wash, rinse thoroughly, and dry. <p>Cleaners: Soft Scrub®.</p> <ul style="list-style-type: none"> Apply with a damp sponge or cloth according to manufacturer's directions. Rinse and wipe dry. <p>Powdered Cleanser: Bon-ami®, Comet®, Ajax®.</p> <ul style="list-style-type: none"> Apply with a damp sponge or cloth according to manufacturer's directions. Rub lightly. Rinse thoroughly and wipe dry. <p>Soap filled fiber or steel wool pads: S.O.S®, Brillo®.</p> <ul style="list-style-type: none"> Dampen pad, rinse thoroughly, and dry. <p>Harsh Cleaners: Easy Off® Oven Cleaner.</p> <p>NOTE: Some commercial oven cleaners cause darkening and discoloration. Test the cleaner on a small part of the rack and check for discoloration before cleaning the entire rack.</p> <ul style="list-style-type: none"> Apply a generous coating. Allow to stand for 10 to 15 minutes. Rinse thoroughly and wipe dry. <p>If the racks do not slide easily after being cleaned, dampen a paper towel with a small amount of cooking oil and rub it lightly over the side rails.</p>
DOOR Exterior, Frame, Handle, Heat Deflector Stainless Steel	<p>Use care to keep cleaners and water away from the door vents. If water or cleaners spill into the vents, water may streak the glass inside.</p> <p>See Cooktop, Back Panel, Stainless Steel, Page 33.</p>
Interior Porcelain Enamel	See Oven Cavity, Page 36.
Seal Door Gasket	<p>General Kitchen Cleaners: Formula 409®, Fantastik®.</p> <ul style="list-style-type: none"> Spray on and blot dry with a cloth. Do not rub. Do not move, remove or damage mesh.


Do-It-Yourself Maintenance

OVEN LIGHT BULB REPLACEMENT

Replace only with a 10-watt, halogen appliance light bulb. DO NOT USE a standard household light bulb in any oven or any bulb over 10 watts.

TO REPLACE THE LIGHT BULB:

1. Turn oven light switch to the off position. Let bulb and cover cool completely.
2. Remove the light cover.
3. Remove the burned-out bulb. Replace it with a 10-watt halogen appliance light bulb only. Don't touch bulb with fingers. Follow bulb manufacturer's instructions.
4. Replace cover. Turn circuit back on, if need be. (See Caution.)

 **CAUTION:**

Before replacing the light bulb, be certain the Oven Light Switch is in the off position. Let bulb and cover cool completely before touching. If the light bulb glass comes loose from the base, turn the power to the oven OFF at the circuit breaker panel, before attempting to remove the bulb base from the socket.

POWER FAILURE

In the event of a power failure, only the standard burners can be lighted manually. It is necessary to light each standard burner individually.

If the range's cooktop is being used when the power failure occurs, turn all of the burner control knobs to the **OFF** position. Then, the standard burners can be lighted by holding a match at the ports and turning the control knob to the **HI** position. Wait until the flame is burning all the way around the burner cap before

adjusting the flame to the desired height.

The two ExtraLow[®] burners on the far left side cannot be used during a power failure. Be sure to turn them **OFF** if a power failure occurs because they will not turn back on until both control knobs are turned **OFF** and then turned back on again. See "What to do if you Smell Gas", inside front cover.

If you have low gas pressure, contact your gas company.

INTERMITTENT OR CONSTANT IGNITER SPARKING

Intermittent or constant sparking of the sealed gas surface burners can result from a number of preventable conditions. Eliminate these conditions as indicated in the chart.

SYMPTOM	CAUSE	REMEDY
Intermittent sparking	• Ceramic igniter is wet or dirty.	• Carefully dry or clean igniter.
	• Burner ports are clogged.	• Clean ports on burner cap with a wire, a needle or straightened paper clip.
More than four clicks of igniter before lighting	• Improper fit of burner cap onto burner base.	• Align burner cap properly on burner base.
Constant Sparking	• Range is not properly grounded.	• Refer to Installation Instructions. Have a qualified electrician ground the range properly.
	• Electrical power supply is incorrectly polarized.	• Refer to Installation Instructions. Have a qualified electrician ground the range properly.

Before Calling for Service

Before calling for service, check the following to avoid unnecessary service charges.

Be sure to check these items first:

- Is there a power outage in the area?
- Is the household fuse blown or the circuit breaker tripped?
- Is the range disconnected from the electrical supply?

IF THE BURNERS DO NOT IGNITE

- Are the burner caps properly aligned and seated in the burner bases?
- Are the burner ports clogged?
- Is a fuse blown or is the circuit breaker tripped?
- Is the manual shut-off valve closed, preventing the flow of gas?

DATA RATING PLATE

The data rating plate shows the model and serial number of your range. It is located behind the toe kick at the bottom of the range. To access the rating plate, remove the two toe kick attachment screws, then carefully remove the toe kick panel.

For all models, the data rating plate is found on the component tray behind the toe kick panel.

The electric wiring diagrams and schematics in the toe kick area should not be removed except by a service technician, then replaced after service.

SERVICE INFORMATION

For handy reference, copy the information below from the data rating plate. Keep your invoice for Warranty validation.

Model Number _____

Serial Number _____

Date of Purchase _____

Dealer's Name _____

Dealer's Phone Number _____

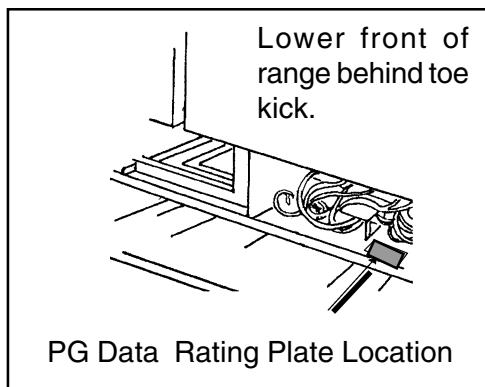
Service Center's Name _____

Service Center's Phone Number _____

Also, enter this information on the Product Registration Form included with this product, then mail it to the indicated address.

CAUTION:

Before removing the toe kick panel, disconnect the range from the electrical power supply. Reinstall the toe kick panel before reconnecting the range to the power supply and operating the range.



STATEMENT OF LIMITED PRODUCT WARRANTY

What this Warranty Covers & Who it Applies to

The limited warranty provided by BSH Home Appliances Thermador in this Statement of Limited Product Warranty applies only to the Thermador appliance sold to you, the first using purchaser, provided that the Product was purchased:

- For your normal, household (non-commercial) use, and has in fact at all times only been used for normal household purposes.
- New at retail (not a display, "as is", or previously returned model), and not for resale, or commercial use.
- Within the United States or Canada, and has at all times remained within the country of original purchase.

The warranties stated herein apply only to the first purchaser of the Product and are not transferable.

Please make sure to return your registration card; while not necessary to effectuate warranty coverage, it is the best way for Thermador to notify you in the unlikely event of a safety notice or product recall.

How Long the Warranty Lasts

Thermador warrants that the Product is free from defects in materials and workmanship for a period of twelve (12) months from the date of purchase. The foregoing timeline begins to run upon the date of purchase, and shall not be stalled, tolled, extended, or suspended, for any reason whatsoever.

Repair/Replace as Your Exclusive Remedy

During this warranty period, Thermador or one of its authorized service providers will repair your Product without charge to you (subject to certain limitations stated herein) if your Product proves to have been manufactured with a defect in materials or workmanship. If reasonable attempts to repair the Product have been made without success, then Thermador will replace your Product (upgraded models may be available to you, in Thermador's sole discretion, for an additional charge). All removed parts and components shall become the property of Thermador at its sole option. All replaced and/or repaired parts shall assume the identity of the original part for purposes of this warranty and this warranty shall not be extended with respect to such parts. Thermador's sole liability and responsibility hereunder is to repair manufacturer-defective Product only, using a Thermador-authorized service provider during normal business hours. For safety and property damage concerns, Thermador highly recommends that you do not attempt to repair the Product yourself, or use an un-authorized servicer; Thermador will have no responsibility or liability for repairs or work performed by a non-authorized servicer. If you choose to have someone other than an authorized service provider work on your Product, **THIS WARRANTY WILL AUTOMATICALLY BECOME NULL AND VOID.** Authorized service providers are those persons or companies that have been specially trained on Thermador products, and who possess, in Thermador's opinion, a superior reputation for customer service and technical ability (note that they are independent entities and are not agents, partners, affiliates or representatives of Thermador). Notwithstanding the foregoing, Thermador will not incur any liability, or have responsibility, for the Product if it is located in a remote area (more than 100 miles from an authorized service provider) or is reasonably inaccessible, hazardous, threatening, or treacherous locale, surroundings, or environment; in any such event, if you request, Thermador would still pay for labor and parts and ship the parts to the nearest authorized service provider, but you would still be fully liable and responsible for any travel time or other special charges by the service company, assuming they agree to make the service call.

Out of Warranty Product

Thermador is under no obligation, at law or otherwise, to provide you with any concessions, including repairs, pro-rates, or Product replacement, once this warranty has expired.

Warranty Exclusions

The warranty coverage described herein excludes all defects or damage that are not the direct fault of Thermador, including without limitation, one or more of the following:

- Use of the Product in anything other than its normal, customary and intended manner (including without limitation, any form of commercial use, use or storage of an indoor product outdoors, use of the Product in conjunction with air or water-going vessels).
- Any party's willful misconduct, negligence, misuse, abuse, accidents, neglect, improper operation, failure to maintain, improper or negligent installation, tampering, failure to follow operating instructions, mishandling, unauthorized service (including self-performed "fixing" or exploration of the appliance's internal workings).
- Adjustment, alteration or modification of any kind.
- A failure to comply with any applicable state, local, city, or county electrical, plumbing and/or building codes, regulations, or laws, including failure to install the product in strict conformity with local fire and building codes and regulations.
- Ordinary wear and tear, spills of food, liquid, grease accumulations, or other substances that accumulate on, in, or around the Product.
- Any external, elemental and/or environmental forces and factors, including without limitation, rain, wind, sand, floods, fires, mud slides, freezing temperatures, excessive moisture or extended exposure to humidity, lightning, power surges, structural failures surrounding the appliance, and acts of God.

In no event shall Thermador have any liability or responsibility whatsoever for damage to surrounding property, including cabinetry, floors, ceilings, and other structures or objects around the Product. Also excluded from this warranty are scratches, nicks, minor dents, and cosmetic damages on external surfaces and exposed parts; Products on which the serial numbers have been altered, defaced, or removed; service visits to teach you how to use the Product, or visits where there is nothing wrong with the Product; correction of installation problems (you are solely responsible for any structure and setting for the Product, including all electrical, plumbing or other connecting facilities, for proper foundation/flooring, and for any alterations including without limitation cabinetry, walls, floors, shelving, etc.); and resetting of breakers or fuses.

TO THE EXTENT ALLOWED BY LAW, THIS WARRANTY SETS OUT YOUR EXCLUSIVE REMEDIES WITH RESPECT TO PRODUCT, WHETHER THE CLAIM ARISES IN CONTRACT OR TORT (INCLUDING STRICT LIABILITY, OR NEGLIGENCE) OR OTHERWISE. THIS WARRANTY IS IN LIEU OF ALL OTHER WARRANTIES, WHETHER EXPRESS OR IMPLIED. ANY WARRANTY IMPLIED BY LAW, WHETHER FOR MERCHANTABILITY OR FITNESS FOR A PARTICULAR PURPOSE, OR OTHERWISE, SHALL BE EFFECTIVE ONLY FOR THE PERIOD THAT THIS EXPRESS LIMITED WARRANTY IS EFFECTIVE. IN NO EVENT WILL THE MANUFACTURER BE LIABLE FOR CONSEQUENTIAL, SPECIAL, INCIDENTAL, INDIRECT, "BUSINESS LOSS", AND/OR PUNITIVE DAMAGES, LOSSES, OR EXPENSES, INCLUDING WITHOUT LIMITATION TIME AWAY FROM WORK, HOTELS AND/OR RESTAURANT MEALS, REMODELLING EXPENSES IN EXCESS OF DIRECT DAMAGES WHICH ARE DEFINITELY CAUSED EXCLUSIVELY BY THERMADOR, OR OTHERWISE. SOME STATES DO NOT ALLOW THE EXCLUSION OR LIMITATION OF INCIDENTAL OR CONSEQUENTIAL DAMAGES, AND SOME STATES DO NOT ALLOW LIMITATIONS ON HOW LONG AN IMPLIED WARRANTY LASTS, SO THE ABOVE LIMITATIONS MAY NOT APPLY TO YOU. THIS WARRANTY GIVES YOU SPECIFIC LEGAL RIGHTS, AND YOU MAY ALSO HAVE OTHER RIGHTS WHICH VARY FROM STATE TO STATE.

No attempt to alter, modify or amend this warranty shall be effective unless authorized in writing by an officer of BSH.

Cet appareil Thermador est fabriqué par
BSH Home Appliances Corporation
5551 McFadden Ave.
Huntington Beach, CA 92649

Questions ?

1-800-735-4328

www.thermador.com

En attendant de vos nouvelles, merci !

AVERTISSEMENT

L'information fournie dans le présent manuel doit être rigoureusement suivie, sous risque d'incendie ou d'explosion susceptible d'entraîner des dommages, des blessures ou la mort.

- N'entreposez pas et n'utilisez pas d'essence ou autres produits inflammables à proximité de la cuisinière ou de tout autre appareil.
- **SI VOUS DÉTECTEZ UNE ODEUR DE GAZ**
 - N'allumez aucun appareil.
 - Ne touchez pas aux interrupteurs électriques.
 - N'utilisez pas les téléphones du bâtiment.
 - Appelez immédiatement votre compagnie de gaz de chez un voisin. Suivez les instructions de la compagnie.
 - Si vous n'arrivez pas à contacter votre compagnie de gaz, appelez les pompiers.
- L'installation et les réparations doivent être réalisées par un installateur qualifié, un centre de réparation agréé ou la compagnie de gaz.

INTRODUCTION

Table des matières

Introduction	45
Vérification du type de gaz	45
Chapitre 1 : Consignes générales de sécurité	
Sécurité	46-49
Consignes	46-49
Chapitre 2 : Avant de commencer	
Avant d'utiliser la cuisinière pour la première fois	49
Chapitre 3 : Description	
Identification du modèle et des pièces – Cuisinière 48 po	51
Identification du modèle et des pièces – Cuisinière 36 po	52
Identification du modèle et des pièces – Cuisinière 30 po	53
Chapitre 4 : Utilisation de la table de cuisson	
Utilisation de la table de cuisson	54-56
Réglage de la flamme	56
Récipients recommandés	57-58
Conseils de cuisson avec les brûleurs	59-60
Utilisation du gril	61-63
À propos de la plaque de cuisson	64
Conseils de cuisson avec la plaque de cuisson .	64
Chapitre 5 : Utilisation du four	
Cuisson au four	65
Convection	66
Cuisson par convection	67
Réglages de cuisson au four et par convection ..	68
Autres utilisations du four	69
Conseils pour cuisson au four	70
Gril	71
Réglage du gril du four à gaz	72
Conseils de cuisson – gril et four	73
Chapitre 6 : Entretien et maintenance	
Nettoyage automatique du four	74-75
Conseils de nettoyage de la cuisinière	76-81
Chapitre 7 : Avant d'appeler le service technique	
Maintenance à faire par vous-même	82
Avant d'appeler le service technique	83
Fiche signalétique	83
Garantie	84-85

INTRODUCTION

Les cuisinières Thermador Professional® sont des appareils monoblocs disponibles en plusieurs configurations. Tous les modèles comprennent une table de cuisson à gaz et un four à gaz à convection autonettoyant de dimension professionnelle avec un gril.

VÉRIFICATION DU TYPE DE GAZ

Vérifiez le type de gaz fourni pour le lieu d'installation. L'appareil doit être raccordé au type de gaz pour lequel il est certifié. Les tables de cuisson sortent d'usine certifiées pour une utilisation au gaz naturel ou au gaz propane. Assurez-vous que l'appareil correspond au type de gaz disponible. Consultez la fiche signalétique du produit que vous trouverez à l'endroit indiqué à la page 83.



MISE EN GARDE

Si l'appareil est alimenté au gaz propane, assurez-vous que le réservoir de propane est équipé de son propre détendeur en plus du détendeur de la cuisinière. La pression maximale d'arrivée du gaz pour cet appareil ne doit pas dépasser 34,9 mb (14 pouces à la colonne d'eau) entre le réservoir de propane et le détendeur.

IMPORTANT

Toutes les cuisinières doivent être installées avec une plaque de protection. Le modèle 30 po est fourni avec une plaque de protection basse. Pour tous les autres modèles, une plaque de protection choisie parmi les trois modèles disponibles doit être commandée séparément et installée à l'arrière de la cuisinière. Les trois choix de modèles sont : plaque de protection basse, une plaque de protection à étagère de casserole et enjoliveur pour installation en îlot. Avant d'utiliser la cuisinière, assurez-vous que la bonne plaque de protection a été posée. Consultez les instructions d'installation fournies avec l'appareil pour plus d'information.

Le présent manuel contient d'importants renseignements sur l'utilisation et l'entretien de tous les modèles de cuisinières Thermador Professional®. Pour utiliser ce manuel, vous devez connaître le numéro du modèle de votre cuisinière puisque certains renseignements ne s'appliquent qu'à certains modèles. Ce numéro se trouve sur la fiche signalétique de votre cuisinière à l'emplacement indiqué à la page 83. Les tableaux de la page suivante énumèrent les différents modèles de cuisinières et leurs caractéristiques.



Consignes de sécurité

EXIGENCES DE L'INSTALLATION DE L'ALIMENTATION AU GAZ ET ÉLECTRIQUE ET INSTRUCTIONS POUR MISE À LA TERRE

À LIRE ATTENTIVEMENT

Modèles au gaz :

30 po
120 volts, 60 Hz,
Circuit électrique de 15 A requis.

Modèles au gaz :

36 po
120 volts, 60 Hz,
Circuit électrique de 15 A requis.
Modèle 36 po avec grille électrique -
Circuit électrique de 20 A requis.

Modèles au gaz :

48 po
120 volts, 60 Hz,
Circuit électrique de 15 A requis
Modèle 48 po avec grille électrique -
Circuit électrique de 20 A requis.

DÉBRANCHEZ TOUJOURS LA FICHE ÉLECTRIQUE DE LA PRISE MURALE AVANT D'EFFECTUER DES RÉPARATIONS SUR LA C U I S I N I È R E .

Il est conseillé de réserver un circuit électrique dédié à cet appareil.

L'utilisation d'appareils de cuisson à gaz produit de la chaleur et de l'humidité.

POUR VOTRE SÉCURITÉ PERSONNELLE, CET APPAREIL DOIT ÊTRE CONNECTÉ À UNE ALIMENTATION ÉLECTRIQUE POLARISÉE ET À UNE MISE À LA TERRE ADÉQUATE.



MISE EN GARDE

Les pièces accessibles peuvent chauffer lorsque l'on utilise le gril. Tenir les jeunes enfants à distance.

Consultez les exigences d'alimentation électrique et de mise à la terre dans les Instructions d'installation.

L'utilisateur est tenu de faire raccorder cet appareil à l'alimentation électrique par un électricien qualifié, conformément au Code national de l'électricité et/ou à la réglementation locale.



MISE EN GARDE – TOUS LES MODÈLES

EN CAS DE PANNE ÉLECTRIQUE

Si, pour une raison quelconque, un bouton de commande de gaz est allumé et qu'il n'y a pas d'électricité pour actionner les allumeurs électroniques des brûleurs de la table de cuisson, positionnez le bouton à OFF puis attendez 5 minutes que le gaz se dissipe avant d'allumer manuellement les brûleurs.

Pour allumer manuellement les brûleurs, amenez une allumette allumée près de l'orifice des brûleurs puis tournez le bouton de commande du gaz à HI. Vous pouvez utiliser les brûleurs de la table de cuisson pendant une panne d'électricité mais vous devrez les allumer avec une allumette.

N'ESSAYEZ PAS d'allumer les deux brûleurs de gauche manuellement. Ils sont équipés de la fonction ExtraLow® et ne peuvent pas être allumés manuellement.

ESSAIS CONFORMES À :

- La norme américaine ANSI Z21.1 régissant les appareils électroménagers à gaz
- La norme américaine UL858 régissant les cuisinières électriques domestiques.
- La norme canadienne CAN/CSA-22.2 No. 61-M89 régissant les cuisinières domestiques.
- Les normes canadiennes CAN/CGA 1.1-M81 régissant les cuisinières à gaz domestiques.

Consultez la réglementation locale du bâtiment vous étant applicable pour connaître la bonne méthode d'installation. À défaut de réglementation, cet appareil doit être installé conformément au Code national américain sur gaz combustible N° Z223.1/NFPA54 et au Code américain de l'électricité ANSI/NFPA70, ou bien au Code canadien Can - B149 régissant l'installation des appareils à gaz naturel et propane et à la section 1 du code électrique canadien C22.1.

CONSERVEZ CES INSTRUCTIONS



Consignes de sécurité destinées à éviter les blessures

Votre cuisinière Thermador Professional® a été conçue pour être un appareil fiable et sans danger si elle est bien entretenue. Néanmoins, il est nécessaire d'être très prudent lorsqu'on utilise cette cuisinière de gamme professionnelle car ce type d'appareils produit une chaleur intense qui peut augmenter le risque d'accidents. L'utilisation d'appareils de cuisine doit se faire conformément aux consignes élémentaires de sécurité, y compris ce qui suit :

Lisez attentivement le présent manuel d'utilisation et d'entretien avant d'utiliser votre nouvelle cuisinière afin de réduire les risques d'incendie, de décharge électrique ou de blessures.

L'installation et l'entretien doivent être correctement effectués. Lisez les Instructions d'installation fournies avec ce produit. Faites installer la cuisinière avec une mise à la terre par un électricien qualifié.

Demandez à l'installateur de vous montrer où est placé le robinet d'alimentation du gaz pour savoir où et comment couper l'arrivée de gaz à la cuisinière.

Si un brûleur s'éteint et que du gaz s'en échappe, ouvrez une fenêtre ou une porte. Ne tentez pas d'utiliser la cuisinière avant que le gaz n'ait eu le temps de se dissiper. Attendez au moins 5 minutes avant d'utiliser la cuisinière.

Ne réparez et ne remplacez aucune pièce de l'appareil. Sauf sous recommandation expresse du présent manuel, toute autre réparation doit être effectuée par un technicien qualifié.

Ne laissez pas les enfants seuls ou sans surveillance dans une pièce où des appareils fonctionnent. Il est strictement interdit de s'asseoir ou de monter sur une partie quelconque de l'appareil. Si des enfants sont autorisés à l'utiliser, ils doivent être surveillés de très près.

MISE EN GARDE : Ne rangez pas d'objets attirant l'attention des enfants au-dessus ou derrière la cuisinière. Ils risqueraient d'y monter pour s'en emparer et pourraient être gravement blessés.

Lorsque les enfants sont suffisamment âgés pour actionner l'appareil, il incombe aux parents ou tuteurs légaux de s'assurer que les pratiques sécuritaires sont enseignées aux enfants.

N'utilisez jamais la cuisinière ou le four comme espace de rangement. Les matériaux inflammables pourraient prendre feu et les objets en plastique fondraient ou s'enflammeraient.

N'accrochez rien sur l'appareil et ne mettez rien contre le four. Certains tissus sont facilement inflammables et pourraient prendre feu.

Si la cuisinière est placée près d'une fenêtre, assurez-vous que les courants d'air ne risquent pas pousser les rideaux jusqu'au dessus ou à proximité des brûleurs ; ils pourraient prendre feu.

Avoir un extincteur approprié à la portée, visible et facilement accessible près de l'appareil. **N'UTILISEZ PAS D'EAU SUR DES GRAISSES QUI PRENNENT FEU.** Éteignez l'appareil et éteignez les flammes avec du bicarbonate de soude ou un extincteur de poudre sèche ou de mousse.

Les vêtements, les poignées et mitaines ou autres matériaux inflammables ne doivent pas toucher ni être placés à proximité des éléments de la cuisinière, des brûleurs ou des grilles de brûleurs tant qu'ils ne sont pas refroidis. Les tissus peuvent prendre feu et provoquer des blessures.

N'utilisez que des poignées et mitaines antichaleur secs : les poignées et mitaines antichaleur mouillées ou humides posées sur des surfaces chaudes peuvent provoquer des blessures dues au dégagement de vapeur. N'utilisez pas de serviettes ni de chiffons volumineux au lieu des poignées et mitaines antichaleur. Ne posez pas les poignées ni mitaines antichaleur sur des éléments chauds, les brûleurs chauds ou les grilles des brûleurs.

Pour votre sécurité personnelle, portez des vêtements appropriés. Ne portez pas de vêtements amples ou de manches tombantes quand vous

utilisez cet appareil. Certains tissus synthétiques sont extrêmement inflammables et ne devraient pas être portés pour cuisiner.

N'utilisez pas de papier d'aluminium pour garnir des parties du four ou de la cuisinière. Le papier d'aluminium peut provoquer un incendie ou une décharge électrique ou encore obstruer la circulation de l'air de combustion et de ventilation. L'aluminium est un excellent isolant et la chaleur y sera emprisonnée, ce qui nuirait au fonctionnement de la cuisinière et est susceptible d'endommager les revêtements du four ou de la cuisinière.



AVERTISSEMENT

NE JAMAIS couvrir les fentes, trous ou passages au fond du four ni couvrir complètement une grille avec des matériaux tels aluminium. Ceci obstrue le débit d'air dans le four et peut causer un empoisonnement au monoxyde de carbone. Les doublures en aluminium peuvent capter la chaleur et causer un risque d'incendie.



AVERTISSEMENT




AFIN DE RÉDUIRE LES RISQUES DE BASCULEMENT DE L'APPAREIL, CE DERNIER DOIT ÊTRE FIXÉ À L'AIDE D'UN DISPOSITIF

ANTIBASCULE QUI A BIEN ÉTÉ INSTALLÉ. ASSUREZ-VOUS QUE LE DISPOSITIF ANTIBASCULE EST ENCLENCHÉ CONFORMÉMENT AUX INSTRUCTIONS D'INSTALLATION. (REMARQUE : LE DISPOSITIF ANTIBASCULE EST OBLIGATOIRE SUR LES CUISINIÈRES DE 76,2 cm (30") ET DE 91,4 cm (36").

Consignes de sécurité

AVERTISSEMENT: Cet appareil a été conçu pour un usage culinaire. Pour des raisons de sécurité, il est interdit d'utiliser le four ou la table de cuisson pour chauffer une pièce. Cela pourrait en outre endommager les composantes de la table de cuisson ou du four.

 **AVERTISSEMENT**
NE JAMAIS utiliser cet appareil pour chauffer ou réchauffer une pièce. Ceci peut causer un empoisonnement au monoxyde de carbone et surchauffer l'appareil.

Quand vous utilisez la table de cuisson : **NE TOUCHEZ PAS LES GRILLES DES BRÛLEURS NI LES ZONES À PROXIMITÉ.** Les zones proches des brûleurs peuvent chauffer suffisamment pour causer des brûlures.

Ne laissez jamais la cuisinière sans surveillance quand vous utilisez une flamme forte. Les débordements produisent de la fumée et des éclaboussures de grasse qui peuvent s'enflammer. Par ailleurs, si certaines flammes du brûleur s'éteignent, du gaz s'échappera dans la pièce. Au sujet des fuites de gaz, consultez l'intérieur de la page couverture.

Seuls certains types de récipients en verre, en vitro-céramique résistantes à la chaleur, en céramique, en terre cuite ou en céramique vitrifiée sont aptes à être utilisés sur les brûleurs de la cuisinière. Ce type de récipients peuvent se casser sous l'effet de brusques changements de température. N'utilisez que des réglages de flamme bas ou moyens et respectez les indications du fabricant.

Ne faites pas chauffer de récipients fermés ; la pression s'accumulant dans le récipient pourrait le faire éclater.

Lorsque vous cuisinez, réglez les boutons des brûleurs de sorte que la flamme ne chauffe que le fond du récipient et n'en lèche pas les parois. Évitez d'utiliser une flamme forte avec un récipient plus grand que la grille ou

couvrant plusieurs brûleurs, comme une plaque, pendant une durée prolongée. Cela peut nuire à la combustion et produire des émanations dangereuses.

Veillez à ce que les courants d'air provenant de ventilateurs ou de bouches d'aération ne poussent pas de matériaux inflammables vers les flammes et n'atteignent pas les flammes qui pourraient alors s'étendre au-delà des bords du récipient.

Utilisez toujours des récipients à fond plat suffisamment larges pour couvrir le brûleur. Des récipients trop petits laissent une partie de la flamme à découvert, ce qui peut enflammer des vêtements.

N'utilisez pas de produits d'entretien inflammables pour nettoyer la cuisinière.

Pour réduire les risques de brûlure, d'inflammation de matériaux inflammables et de renversements accidentels, placez les poignées des récipients vers l'intérieur de sorte à ce qu'elles ne dépassent pas sur les plans de travail contigus, les zones de préparation ou le bord de la table de cuisson de la cuisinière.

Tenez la poignée du récipient pour l'empêcher de bouger quand vous tournez les aliments se trouvant à l'intérieur.

N'UTILISEZ PAS de récipients sur la partie gril de la cuisinière.


N'utilisez pas le gril pour cuire des viandes très grasses ou des produits favorisant la production de flambées.

La table à découper en option doit être ôtée avant d'utiliser la plaque de cuisson se trouvant en dessous ou les brûleurs avoisinants.

LA GRAISSE EST INFLAMMABLE. Laissez la graisse chaude refroidir avant de la nettoyer. Évitez de laisser les restes de graisse s'accumuler. Nettoyez après chaque usage.

Pour que les brûleurs s'allument et fonctionnent correctement, **les orifices d'allumage doivent être propres.** Nettoyez-les après un débordement ou si le brûleur ne s'allume pas uniformément avec

l'allumeur électronique. Reportez-vous à la page 79.

 **AVERTISSEMENT**
Après un renversement ou une éclaboussure, éteignez le brûleur et nettoyez le pourtour et les orifices. Vérifiez le fonctionnement après le nettoyage.

Nettoyez la cuisinière avec précaution. Évitez les brûlures par la vapeur ; n'utilisez pas d'éponge ou de chiffon mouillé pour nettoyer la cuisinière quand elle est chaude. Certains produits d'entretien dégagent des fumées toxiques s'ils sont appliqués sur une surface chaude. Suivez les indications fournies par le fabricant du produit d'entretien.

Assurez-vous que tous les boutons de la table de cuisson sont éteints et que la table de cuisson est froide avant d'utiliser un produit d'entretien en aérosol sur ou à proximité de celle-ci. Le produit chimique vaporisé peut, en présence de chaleur, prendre feu ou corroder les pièces métalliques.

Quand vous utilisez le four : **NE TOUCHEZ PAS AUX BRÛLEURS INFRAROUGES, LES SURFACES INTERNES DU FOUR NI LA ZONE EXTERNE ENTOURANT LA PORTE.** Les surfaces de l'intérieur du four chauffent suffisamment pour causer des brûlures. Le déflecteur de chaleur, qui éloigne la chaleur de la table de cuisson et de l'enjoliveur du dessus et des côtés de la porte du four, sera également chaud pendant l'utilisation du four.

Placez les grilles dans le four sur la position voulue pendant qu'il est froid. Si vous devez déplacer une grille alors que le four est chaud, les ustensiles ne doivent pas entrer en contact avec le brûleur aux infrarouges.

Soyez prudent quand vous ouvrez la porte du four ; laissez l'air chaud et la vapeur s'échapper avant d'introduire ou de retirer les aliments. Avant le nettoyage automatique du four, retirez la lèchefrite, les grilles et tout autre ustensile, ainsi que le plus gros des aliments renversés.



Consignes de sécurité

Vous ne devez pas nettoyer, frotter, endommager, déplacer ni ôter le joint de la porte. Il est indispensable à la bonne étanchéité du four pendant la cuisson et le nettoyage automatique.

Prenez soin de la fonction autonettoyante. Ne nettoyez que les parties indiquées dans le présent manuel. N'utilisez pas de produits vendus pour le nettoyage des fours ni aucun produit protecteur dans ou autour du grand four autonettoyant.

N'OBSTRUEZ PAS le flux d'air de combustion ou de ventilation.

Pour des raisons de sécurité et pour ne pas endommager l'appareil, ne vous asseyez pas, ne montez pas et ne vous allongez pas sur la porte du four.

Toutes les réparations doivent être effectuées par des techniciens agréés, qui devront déconnecter l'appareil de l'alimentation électrique avant de le réparer.

Assurez-vous que vous entendez bien

le ventilateur de refroidissement lorsque le four est réglé sur la fonction gril ou nettoyage automatique. Si le ventilateur ne marche pas, n'utilisez pas le four. Appelez votre Centre de service agréé pour réparation.

Nettoyez fréquemment la hotte de ventilation, placée au-dessus de la cuisinière, ainsi que ses filtres pour que la graisse des vapeurs de cuisson ne s'y accumule pas.

• **En cas d'incendie ou si vous flambez intentionnellement des alcools sur la table de cuisson, suivez les instructions du fabricant de la hotte.**

Avis de sécurité important : La loi sur l'eau potable et les toxines de Californie (California Safe Drinking Water and Toxic Enforcement Act) requiert du gouverneur de la Californie de publier une liste des substances reconnues par l'état comme pouvant causer le cancer, malformation ou autres problèmes de reproduction et demande aux compagnies d'aviser le consommateur d'une exposition potentielle à de telles substances.

Le brûlage de combustible de cuisson à gaz et l'élimination de la saleté pendant l'autonettoyage peuvent générer des sous produits pouvant être sur la liste. L'exposition à ces substances peut être minimisée en :

1. Assurant une bonne ventilation pendant la cuisson à gaz.
2. Assurant une bonne ventilation pendant et immédiatement après l'autonettoyage du four.
3. Actionnant l'appareil selon les instructions données dans ce guide.

AVANT D'UTILISER VOTRE CUISINIÈRE POUR LA PREMIÈRE FOIS, ASSUREZ-VOUS QUE VOUS AVEZ TOUS CES ARTICLES :

DESCRIPTION	30po 4-brûleurs	36po avec grille	36po avec gril	36po 6-brûleurs	48po avec gril et grille	48po avec grille	48po avec gril
Grilles de four, grand four	3	3	3	3	3	3	3
Grilles de four de 30,5 cm (12 po)					2	2	2
Lèchefrite en deux parties	1	1	1	1	2‡	2‡	2‡
Chapeaux de brûleurs en étoile	4	4	4	6	4	6	6
Chapeaux de brûleurs en étoile	2	2	2	3	2	3	3
Boutons de commande	5	6	6	7	8	9	9
Plaque de gril			1		1		1
Grille enduite de titane			1			1	1
Carte d'enregistrement du produit	1	1	1	1	1	1	1
Plaque de protection	1	*	*	*	*	*	*
Instructions d'installation	1	1	1	1	1	1	1
Manuel d'utilisation et d'entretien	1	1	1	1	1	1	1

* La plaque de protection doit être commandée séparément. Elle sera expédiée individuellement et n'est pas incluse dans le colis d'expédition de la cuisinière. La lèchefrite en aluminium est destinée au four auxiliaire ; la lèchefrite en porcelaine est destinée au grand four.

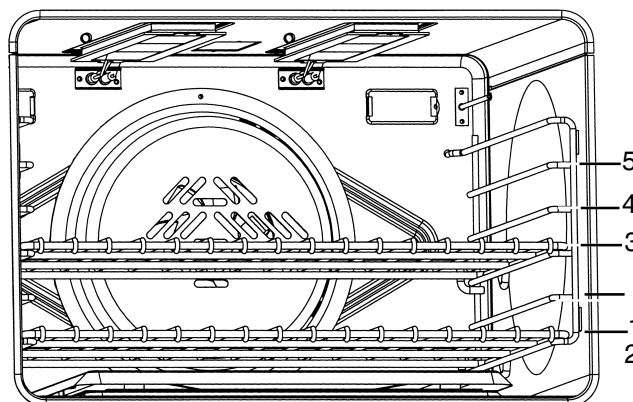
Avant d'utiliser la cuisinière pour la première fois

Retirez tous les matériaux d'emballage et les étiquettes provisoires du four et de la table de cuisson.

1. Assurez-vous que vous avez tous les éléments énumérés à la page 49.
2. **Notez le modèle et le numéro de série à la page 83. Consultez la fiche signalétique.** Peuvent être utilisés à des fins de contact avec le service à la clientèle. Notez-les également sur la carte d'enregistrement du produit fournie avec l'appareil et retournez cette dernière à l'adresse indiquée.
3. **Accessoires en option.** Le couvercle de gril, la plaque de gril, la planche à découper, le couvercle de plaque de cuisson, l'anneau de support pour le wok et d'autres accessoires sont en vente chez votre revendeur Thermador.
4. **Placez correctement les grilles dans le four.** La position adéquate des grilles dépend de la recette et du mode de cuisson. Les positions des grilles dans le four sont numérotées de bas en haut, comme un ascenseur. La position n° 3 est la plus fréquemment utilisée. Introduisez les grilles à la position voulue avant d'allumer le four.

Introduisez les grilles comme suit :

- a. Tenez la grille par la barre arrière en position verticale en direction du fond du four. Glissez-la dans le four de manière à ce que les barres se trouvent entre la grille et les glissières des grilles.
 - b. Soulevez légèrement l'avant de la grille quand vous la glissez dans le four pour que les butées de sûreté passent derrière les glissières. Les butées de sûreté placées à l'arrière des grilles les empêchent de sortir complètement du four quand on les tire vers l'extérieur.
5. **Assurez-vous que les chapeaux des brûleurs sont bien posés dans leurs bases sur la table de cuisson.** Allumez chaque brûleur pour vérifier la couleur de la flamme. Reportez-vous à la page 56 pour plus de détails.



Grand positions des grilles dans le four



MISE EN GARDE

N'utilisez jamais de papier d'aluminium pour recouvrir les grilles du four ou garnir le four. N'enlevez pas le brûleur aux infrarouges du four à gaz.

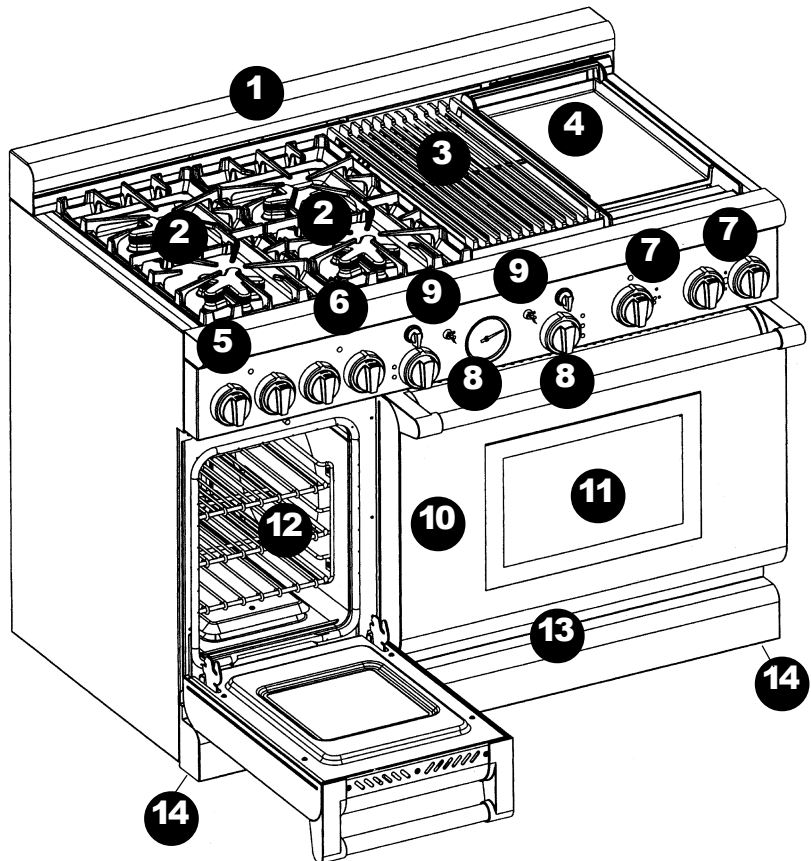
AVANT DE CUIRE OU GRILLER POUR LA PREMIÈRE FOIS, le four et le gril doivent être allumés pour brûler les graisses utilisées lors de la fabrication de l'appareil. Allumez le four à une température de 230 °C (450 °F) de 20 à 30 minutes ; placez ensuite le bouton sur BROIL pour une même durée. Vous pouvez mettre la hotte en marche pendant ce temps.

Veillez lire la page 81 du Chapitre 6 : Entretien et maintenance avant de nettoyer les grilles du four.

Identification du modèle et des pièces

Légende pour les modèles 48 po

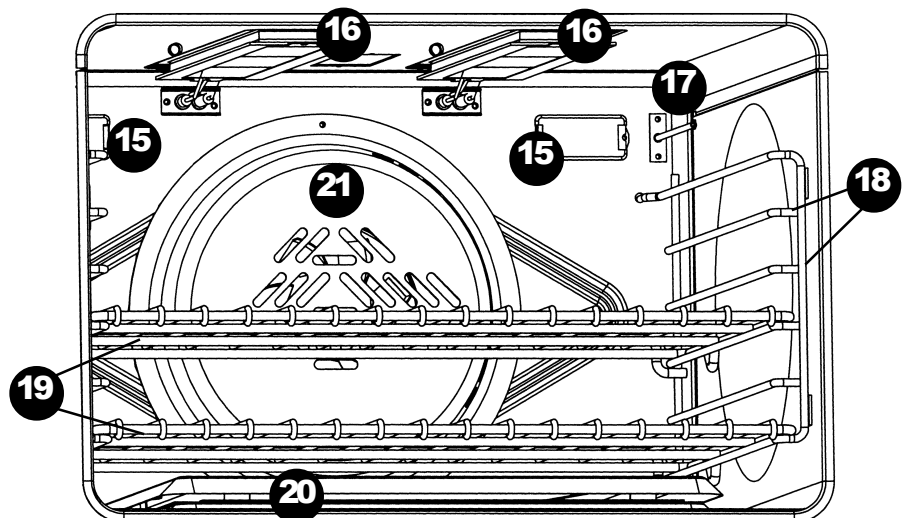
1. Plaque de protection à étagère de casserole de 55,9 cm (22"), plaque de protection basse de 30,5 cm (12") ou enjoliveur pour installation en îlot - voir illustration (les plaques de protection sont à commander séparément)
2. Grilles de brûleurs et brûleurs
3. Gril
4. Plaque de cuisson
5. Boutons de commande, brûleurs ExtraLow® (2)
6. Boutons de commande, brûleurs standard (2)
7. Boutons de commande, gril (1) et plaque de cuisson (1)
8. Commandes du four et thermostat
9. Interrupteur d'éclairage du four
10. Porte du four
11. Hublot
12. Four de 30,5 cm (12") (2 grilles incluses)
13. Plaque d'habillage (La plaque de caractéristiques est placée derrière la plaque d'habillage)
14. Pieds de cuisinière (4)



⚠ AVERTISSEMENT
 Pour assurer une bonne ventilation de la cuisinière, n'enlevez pas les pieds.

Intérieur du four à gaz

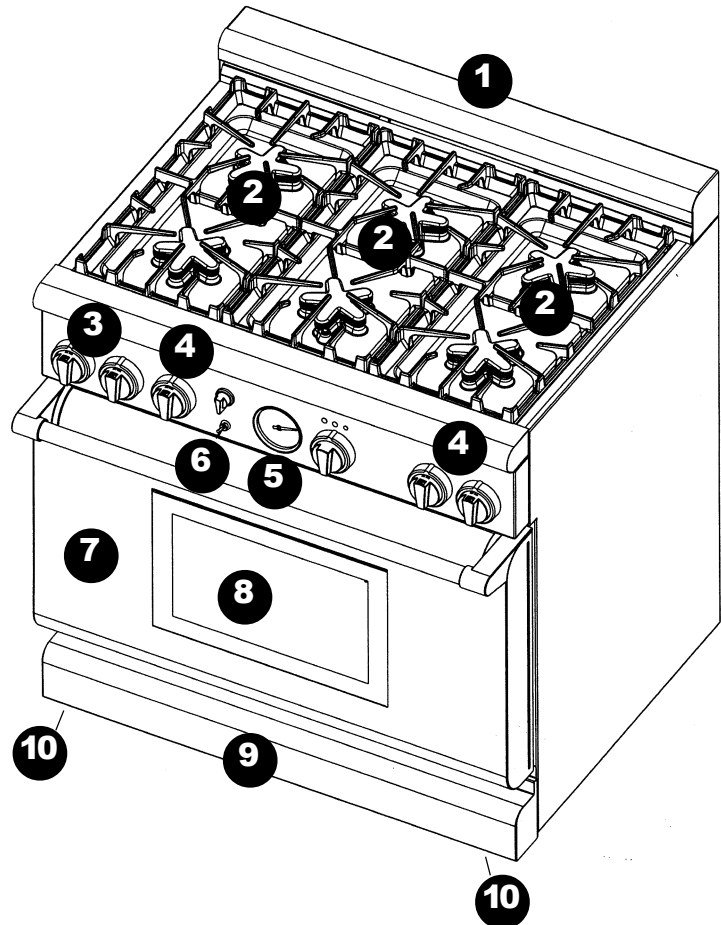
15. Éclairage de l'intérieur du four
16. Brûleurs du gril
17. Thermostat du four
18. Glissières des grilles
19. Grille de four (3 grilles incluses, non illustrées)
20. Brûleur de cuisson (non visible)
21. Couvercle du ventilateur de convection



Identification du modèle et des pièces

Légende du modèle 36 po

1. Plaque de protection à étagère de casserole de 55,9 cm (22"), plaque de protection basse de 30,5 cm (12") ou enjoliveur pour installation en îlot de 10,2 cm (4") - voir illustration (les plaques de protection sont à commander séparément)
2. Grilles de brûleurs et brûleurs
3. Boutons de commande, brûleurs ExtraLow® (2)
4. Boutons de commande, brûleurs standard (4)
5. Commandes du four, thermostat
6. Interrupteur d'éclairage du four
7. Porte du four
8. Hublot
9. Plaque d'habillage (la plaque de caractéristiques est placée derrière la plaque d'habillage)
10. Pieds de cuisinière (4)



AVERTISSEMENT

Pour assurer une bonne ventilation de la cuisinière, n'enlevez pas les pieds.

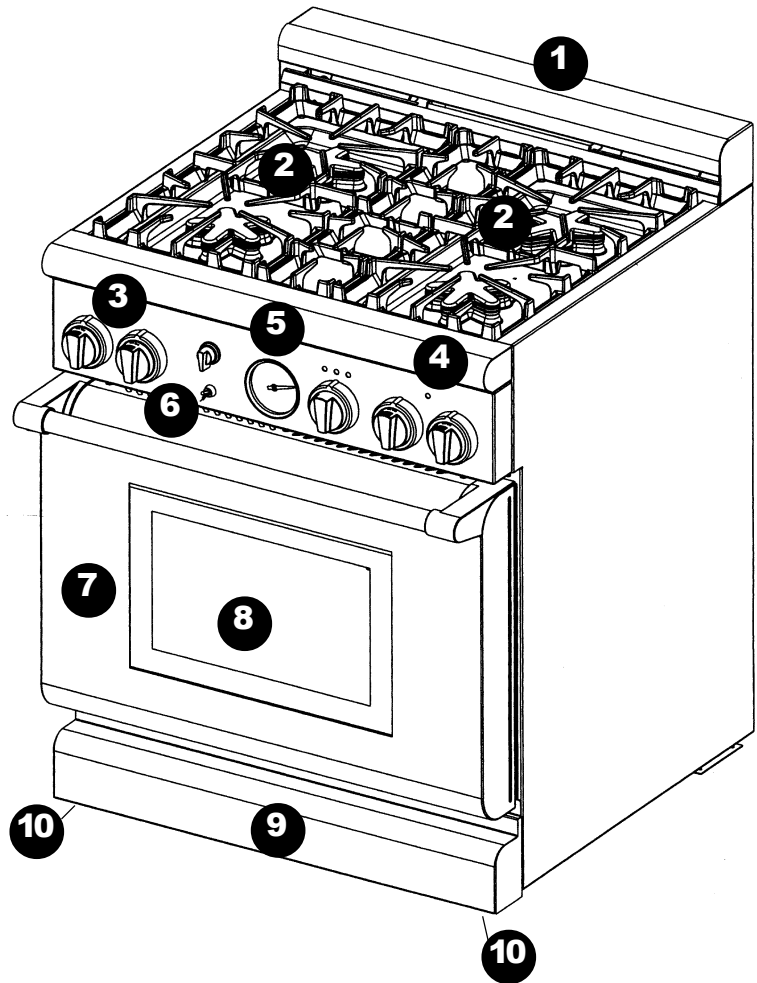
Intérieur du four à gaz

Voir page 51.

Identification du modèle et des pièces

Légende du modèle 30 po

1. Plaque de protection basse de 22,9 cm (9") (enjolveur pour installation en îlot ou plaque de protection à étagère de casserole à commander séparément)
2. Grilles de brûleurs et brûleurs
3. Boutons de commande, brûleurs ExtraLow® (2)
4. Boutons de commande, brûleurs standard (2)
5. Commandes du four, thermostat
6. Interrupteur d'éclairage du four
7. Porte du four
8. Hublot
9. Plaque d'habillage (La plaque de caractéristiques est placée derrière la plaque d'habillage)
10. Pieds de cuisinière (4)



AVERTISSEMENT

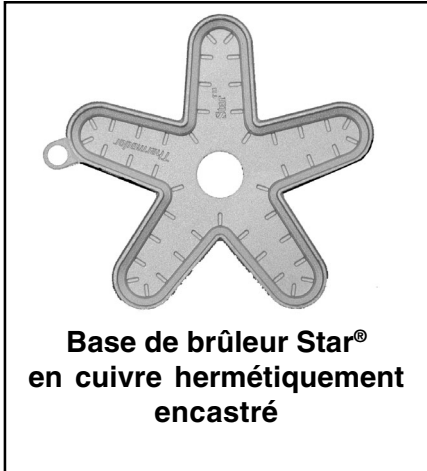
Pour assurer une bonne ventilation de la cuisinière, n'enlevez pas les pieds.

Intérieur du four à gaz

Voir page 51.

Utilisation de la table de cuisson

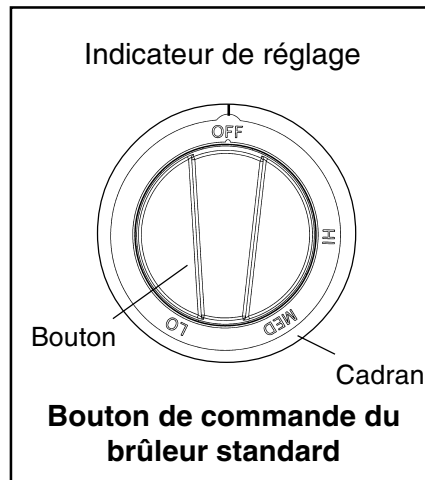
BRÛLEURS HERMÉTIQUEMENT ENCASTRÉS



La table de cuisson comporte quatre ou six brûleurs à gaz ; chacun d'eux a une puissance de 15 000 BTU/h (13 000 BTU/h avec gaz Propane). Ces brûleurs sont hermétiquement encastrés dans le cadre supérieur en acier inoxydable afin d'empêcher l'accumulation des liquides renversés sous la table de cuisson et de faciliter le nettoyage. Sur tous les modèles, les deux brûleurs de gauche sont dotés de la fonction exclusive ExtraLow ; les autres brûleurs sont standard. À chacun des brûleurs correspond un bouton de commande.

BOUTONS DE COMMANDE

Les boutons de commande des deux brûleurs avant et arrière, hermétiquement encastrés, sont placés sur le panneau de commandes de la partie frontale de la cuisinière.



Les deux mots inscrits au-dessus de chaque bouton indiquent le brûleur auquel il correspond. Par exemple, LEFT FRONT (avant gauche), RIGHT FRONT (avant droit), etc.

FONCTIONNEMENT DES BRÛLEURS

- Appuyez sur le bouton et tournez-le dans le sens contraire des aiguilles d'une montre pour le placer à la position HI.
- L'allumeur du brûleur sélectionné produit un déclic et une étincelle.
- Une fois la flamme allumée, l'allumeur cesse d'émettre des déclics.
- Tournez le bouton sur une position comprise entre les repères HI et LO.
- Le voyant bleu du brûleur, placé entre les brûleurs, s'allume quand le brûleur contigu est allumé. Il reste allumé jusqu'à ce que le brûleur s'éteigne.

Puissance de sortie BTU des brûleurs standard

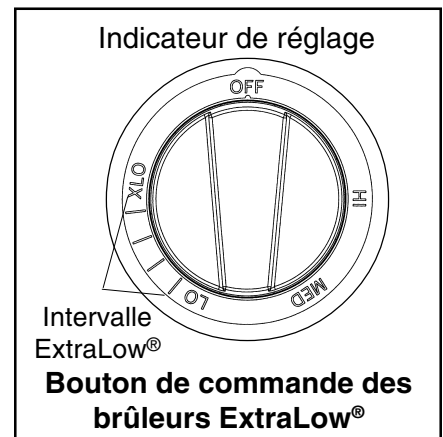
- HI est équivalent à 15 000 BTU/h (13 000 BTU/h avec Propane).
- LO est équivalent à 2 100 BTU/h.

Puissance de sortie BTU des brûleurs ExtraLow®

- HI est équivalent à 15 000 BTU/h (13 000 BTU/h avec Propane).
- LO est équivalent à 3 000 BTU/h.
- XLO est équivalent à 370 BTU/h.

Brûleurs ExtraLow®

Les commandes des deux brûleurs de gauche, avant et arrière, permettent d'en régler la flamme sur une puissance encore plus basse que la commande standard LO.

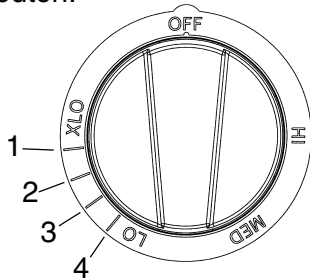


Le dessin montre l'intervalle supplémentaire de réglage du bouton entre les repères LO et XLO. Lorsque le bouton est placé sur cet intervalle, la flamme s'allume et s'éteint. La modification des durées pendant lesquelles la flamme reste allumée/éteinte permet de réduire davantage la quantité de chaleur et de cuire des aliments délicats. Le réglage très bas est utile pour faire mijoter, pocher, fondre du chocolat et du beurre, maintenir la température des plats préparés sans qu'ils ne roussissent ou ne brûlent, etc.

CHAPITRE 4 : UTILISATION DE LA TABLE DE CUISSON

Fonctionnement des brûleurs ExtraLow®

- XLO, le réglage le plus bas, fonctionne par cycles d'une minute avec alternance de flamme allumée pendant environ 8 secondes suivies d'environ 52 secondes de flamme éteinte.
- Lorsque le bouton est réglé juste en dessous du repère LO, la flamme reste allumée pendant environ 52 secondes et s'éteint pendant environ 8 secondes.
- Pour adapter le degré de chaleur aux aliments et à leur quantité, il est possible de régler le bouton sur n'importe quelle position dans l'intervalle entre LO et XLO indiqué sur le bouton.



Réglages ExtraLow

- Les numéros et les traits représentés sur le dessin n'y figurent que pour référence. **Les numéros n'apparaissent pas sur le bouton réel.** Ce numéro indique la position du bouton pour le réglage de flamme indiqué dans les tableaux de cuisson des pages 59 et 60, la flamme la plus forte correspondant au numéro 4 et la flamme la plus faible au numéro 1.

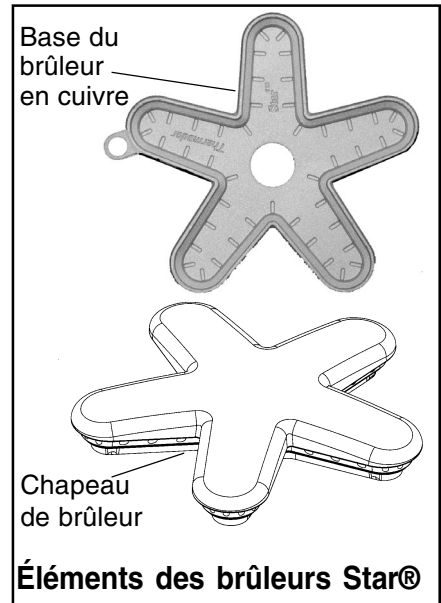
Techniques ExtraLow

- Le type et la quantité d'aliments déterminent le réglage à utiliser.
- Le réglage est également déterminé par le type de récipient choisi. Ses dimensions, sa forme, le matériau et l'utilisation ou non

d'un couvercle sont des facteurs qui influent sur l'homogénéité de la température de cuisson.

- Pour maintenir une chaleur basse ou pour faire mijoter, portez les aliments à ébullition. Remuez bien puis couvrez le récipient puis baissez le réglage en plaçant le bouton juste en dessous de LO.
- Vérifiez régulièrement s'il est nécessaire de modifier le réglage.
- Si vous utilisez un récipient surdimensionné, vos aliments mijoteront principalement au centre de celui-ci. Pour homogénéiser la température de l'ensemble, remuez pour ramener les aliments se trouvant sur les bords externes vers le centre.
- Quand un plat mijote, il est normal de le brasser de temps à autre, surtout s'il doit mijoter pendant plusieurs heures comme par exemple des haricots ou une sauce maison pour les spaghettis.
- Quand vous baissez le réglage de la flamme, faites-le par petites étapes.
- Si le réglage est trop bas pour faire mijoter, portez de nouveau à ébullition avant de ramener le bouton sur un réglage plus fort.
- Il est normal de ne pas voir de bulles à la surface juste après avoir remué les aliments.
- Il peut y avoir des bulles quand la flamme est allumée, qui

disparaissent quand elle est éteinte. Même quand elle est éteinte, de la vapeur et un léger frémissement seront perceptibles à la surface du liquide.

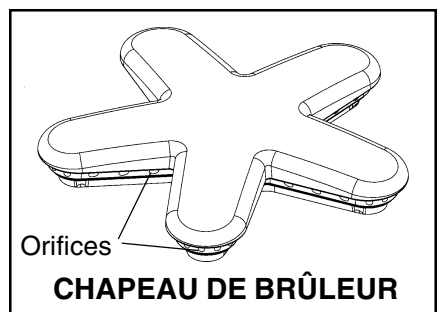
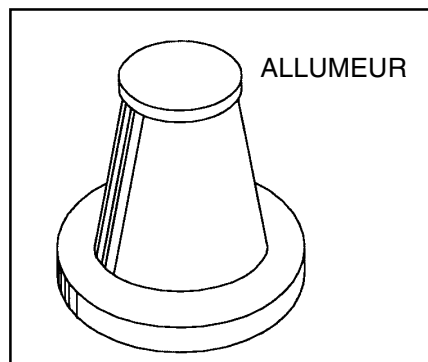


Chaque brûleur comporte son propre allumeur électronique qui produit des étincelles lorsque le bouton du brûleur est en position allumé. Les brûleurs doivent s'allumer en l'espace de 4 secondes ou moins. Si le brûleur ne s'allume pas, assurez-vous que le chapeau est correctement posé sur sa base.

AVERTISSEMENT

Ne touchez pas les brûleurs pendant que les allumeurs produisent des étincelles.

Si un brûleur ne s'allume pas, consultez le chapitre « Avant d'appeler le service technique », à la page 83.



RALLUMAGE AUTOMATIQUE

Si un des brûleurs ou le grill s'éteint, l'allumeur électronique s'actionne automatiquement pour allumer la flamme. **Ne pas toucher aux brûleurs lorsque l'allumeur est actif.**

IMPORTANT

- Pour assurer une bonne combustion, n'utilisez pas la table de cuisson sans les grilles des brûleurs.
- L'allumage et la combustion du gaz produisent un petit bruit qui est tout à fait normal.
- Sur les cuisinières alimentées par du gaz propane, il est possible d'entendre un petit « pop » au niveau des orifices du brûleur quelques secondes après l'avoir éteint.



AVERTISSEMENT

Ce produit contient ou, lors de l'utilisation ordinaire pour laquelle il est prévu, facilite l'émission d'un ou de plusieurs produits chimiques qui, selon les connaissances de l'État de la Californie, peuvent causer le cancer et/ou des anomalies congénitales ou d'autres problèmes congénitaux. Pour minimiser toute exposition à ces produits chimiques, veuillez suivre les consignes suivantes :

1. Pour assurer une combustion adéquate, l'ajustement des brûleurs devrait être réalisé par une agence ou un installateur accrédités.
2. Lorsque vous cuisinez au gaz, assurez-vous de bien aérer la pièce en ouvrant une fenêtre ou en utilisant un ventilateur ou une hotte.
3. Faites toujours fonctionner l'appareil conformément aux instructions fournies avec votre cuisinière ou votre surface de cuisson.

PANNE DE COURANT

- En cas de panne de courant, seuls les brûleurs standard peuvent être allumés manuellement. Chacun d'eux doit être allumé individuellement.
- Si la panne de courant se produit pendant que vous utilisez la cuisinière, tournez tous les boutons à la position OFF.
- Vous pouvez allumer les brûleurs standard en approchant une allumette enflammée des orifices et en tournant le bouton à la position HI. Attendez que la flamme soit allumée tout autour du chapeau du brûleur avant de la régler à la hauteur voulue.
- Aucun des deux brûleurs ExtraLow ne peut être utilisé pendant une panne de courant. **Assurez-vous que vous les avez éteints.**
- Si l'un des brûleurs ExtraLow est en marche quand la panne de courant se produit, il ne pourra pas être rallumé tant que le bouton n'aura pas d'abord été replacé sur la position OFF.
- La plaque chauffante et le grill ne peuvent pas être utilisés pendant une panne de courant.
- Si vous détectez une odeur de gaz, consultez les consignes de sécurité figurant à l'intérieur de la couverture.



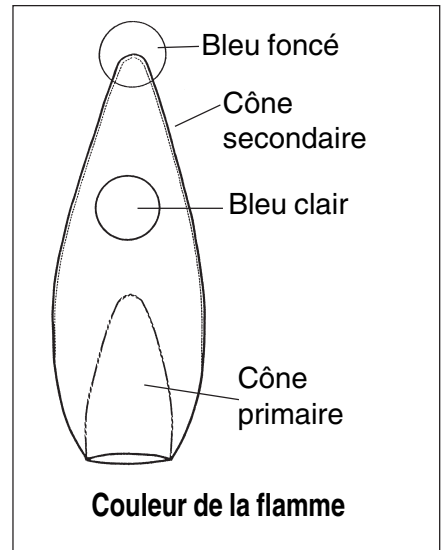
AVERTISSEMENT

En cas de panne de courant, ramenez tous les boutons à la position OFF. Seuls les brûleurs standard peuvent être allumés manuellement.

HAUTEUR DE LA FLAMME

- La hauteur correcte de la flamme dépend : 1) de la taille et du matériau du récipient utilisé ; 2) des aliments à cuire ; et 3) de la quantité de liquide se trouvant dans le récipient.
- La flamme ne doit pas dépasser le fond du récipient.
- Utilisez une flamme basse ou moyenne pour les récipients dont le matériau conduit lentement la chaleur, comme l'acier revêtu de porcelaine ou la vitrocéramique.

DESCRIPTION DE LA FLAMME



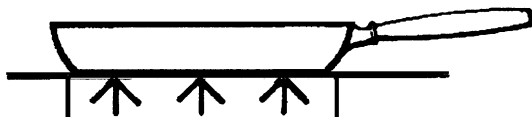
- La flamme des brûleurs doit être de couleur bleue, sans jaune aux extrémités. On y observe parfois de l'orange : cela indique que des impuretés dans le gaz sont en train de se consumer. Elles disparaîtront avec l'usage.
- Avec le gaz propane, il est normal qu'il y ait un peu de jaune sur le cône primaire.
- La flamme doit brûler tout autour du chapeau du brûleur. Si ce n'est pas le cas, assurez-vous que le chapeau est bien posé et que les orifices ne sont pas bouchés.
- La flamme doit être stable, ne pas voltiger ni faire de bruit excessif.

Récipients recommandés

⚠ MISE EN GARDE

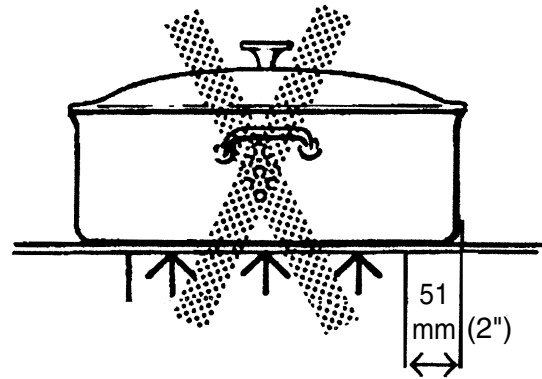
- Les aliments présentés dans un conditionnement en aluminium ne doivent pas être placés directement sur la grille des brûleurs. La feuille d'aluminium peut fondre pendant la cuisson.
- Ne laissez ni plastique, ni papier ni chiffon en contact avec les grilles des brûleurs quand elles sont chaudes : ces matières pourraient fondre ou prendre feu.
- Ne faites pas chauffer un ustensile vide. Il pourrait être endommagé ainsi que la table de cuisson.

- Des récipients de qualité professionnelle à poignées métalliques sont recommandés car les poignées en plastique risquent de fondre ou de se déformer si la flamme lèche les parois du récipient. Les récipients de qualité professionnelle sont en vente dans les magasins de fournitures pour l'hôtellerie et les boutiques gastronomiques. Tous les récipients utilisés doivent posséder les caractéristiques suivantes : bonne conductivité de la chaleur, bonne assise, diamètre de la base correctement dimensionné, base lourde et plate et couvercle bien adapté. Pour obtenir de meilleurs résultats de cuisson, la flamme ne doit pas dépasser le diamètre de la base du récipient.
- L'aluminium et le cuivre sont des matériaux qui conduisent la chaleur rapidement et de façon homogène. Ces métaux se trouvent parfois sur le fond des récipients ou peuvent être insérés dans l'acier inoxydable.



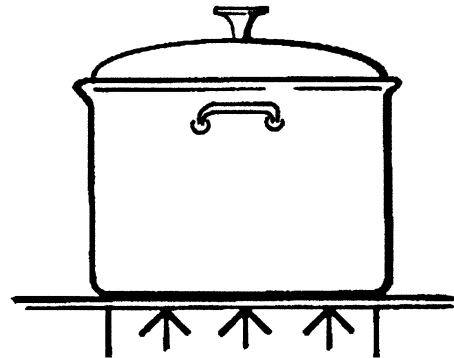
RÉCIPIENT STABLE

- L'assise du récipient est un facteur important de stabilité et d'homogénéité de la cuisson. La poignée ne doit pas être plus lourde que le récipient car elle l'inclinerait. Le récipient doit reposer bien à plat sur la grille sans se balancer ni être branlant.



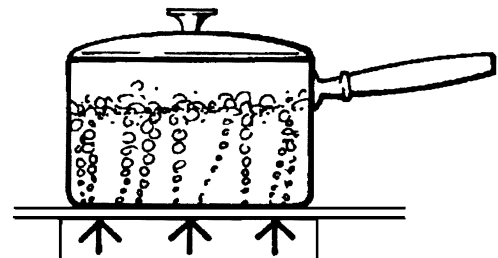
DIAMÈTRE DE LA BASE

- Choisissez une base d'un diamètre correspondant au diamètre de la flamme. Le diamètre de la flamme doit être le même que celui de la base du récipient ou légèrement plus petit. Des récipients sur ou sous-dimensionnés nuisent aux résultats de cuisson. Une base d'un diamètre de 14 cm (5-1/2") est généralement la plus petite taille conseillée.



RÉCIPIENT À BASE PLATE

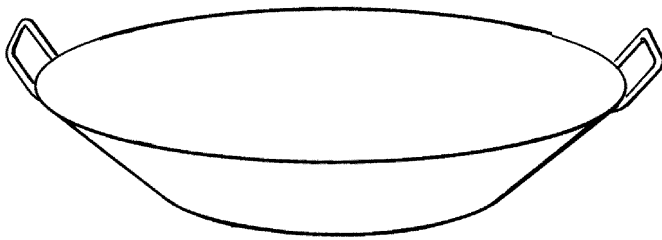
- Une base lourde et plate ne se déformera pas en chauffant. Les fonds de récipients faussés, bosselés, striés ou trop légers ne chaufferont pas de manière homogène. Faites chauffer et refroidir progressivement les récipients afin d'éviter les brusques changements de température qui tendent à les déformer. N'ajoutez pas d'eau froide dans un ustensile chaud.



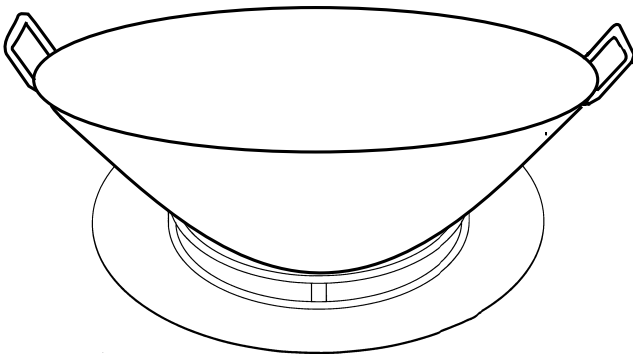
RÉCIPIENT AVEC COUVERCLE

- Un couvercle bien adapté réduira le temps de cuisson et permettra d'utiliser des réglages de chaleur plus bas.

Récipients pour spécialités



WOK À FOND PLAT



WOK À FOND ROND DANS SON ANNEAU DE SUPPORT

- **Woks** – Les woks à fond plat ou rond avec l'accessoire de support en forme d'anneau peuvent être utilisés sur les modèles de cuisinière sans brûleur pour wok incorporé. L'anneau de support doit être utilisé avec les woks à fond rond. L'anneau de support de wok en fonte émaillée est vendu séparément.
- **Cocottes et marmites** - Choisissez une base d'au maximum 51 mm (2 ") de plus que le diamètre du foyer.

Cocotte de dimensions standard

19,95 à 20,9 litres (42 à 44 pintes), avec une base de 279 à 305 mm (11 à 12 ") et une hauteur de 229 à 279 mm (9 à 11 ").

Cocotte-minute de dimensions standard

7,6 à 20,9 litres (16 à 44 pintes), avec une base de 20,3 à 27,9 cm (8 à 11 ") et une hauteur de 165 à 305 mm (6,5 à 12 ").

CONSEILS D'UTILISATION :

- Il est préférable d'utiliser un récipient à fond plat plutôt qu'à fond concave, convexe ou ondulé.
- Si vous utilisez deux cocottes en même temps, placez-les sur des brûleurs décalés. Ne bloquez pas la circulation d'air autour des brûleurs. La flamme a besoin d'une quantité d'air suffisante pour bien brûler.
- Mettez un couvercle sur la cocotte pour porter son contenu à ébullition.
- Quand le contenu boue avec le bouton sur HI, baissez la flamme le plus possible pour maintenir à ébullition ou conserver la pression.
- La cuisson à la cocotte produit de grandes quantités de vapeur. Prenez garde aux brûlures.

RECOMMANDATIONS DE CUISSON

SUGGESTIONS D'UTILISATION DES RECOMMANDATIONS

Guidez-vous par les indications du tableau des pages 59 et 60. Les réglages à utiliser dépendent des ustensiles choisis et de la température initiale des aliments.

Dans le tableau, le « Réglage final » a été divisé entre brûleurs standard et brûleurs ExtraLow. Selon le cas, ce réglage sera identique ou différent.

Le réglage ExtraLow peut être un réglage de cuisson ou de maintien de température.

Augmentez ou diminuez la flamme progressivement. Laissez le temps au récipient et aux aliments de s'adapter au nouveau réglage.

Conseils de cuisson avec les brûleurs de la table de cuisson

Aliments	Réglage initial	Réglage final brûleurs standard	Réglage final brûleurs ExtraLow®
BOISSONS Cacao	MED – Chauffer le lait, couvrir	LO – Finir de chauffer	XLO – Maintenir au chaud, couvrir*
PAIN Pain doré, crêpes, sandwiches grillés	MED – Préchauffer le poêlon	MED LO à MED – Cuiser	Identique aux brûleurs standard
BEURRE À fondre		XLO – Maintenir chaud	Laisser fondre pendant 5 à 10 minutes
CÉRÉALES Semoule de maïs Gruau, avoine	HI – Couvrir, porter l'eau à ébullition, ajouter les céréales	MED LO à MED – Finir la cuisson selon les instructions sur l'emballage.	XLO – Pour maintenir la température, couvrir*
CHOCOLAT À fondre		Utilisez XLO	XLO – Laisser fondre pendant 10 à 15 minutes. XLO – Pour maintenir la température*
DESSERTS Bonbons	MED LO à MED – Cuire selon la recette	MED LO à MED	Identique aux brûleurs standard
Pouding et Mélange pour garniture à tarte	MED LO – Suivre les indications sur l'emballage	LO	MED LO
Pouding	MED LO – Faire bouillir le lait	LO	MED LO – Pour cuire
OEUFS À la coque	MED HI – Couvrir, porter à ébullition, ajouter les oeufs, couvrir	Utiliser XLO	XLO – 3 à 4 minutes pour oeufs mollets ; 15 à 20 minutes pour oeufs durs
Frits, brouillés	MED – Faire fondre le beurre, ajouter les oeufs	LO à MED LO – Finir la cuisson	XLO – Pour maintenir quelques instants la température*
Pochés	HI – Porter à ébullition, ajouter les oeufs	MED à MED HI – Finir la cuisson	Identique aux brûleurs standard
VIANDE, POISSON, VOLAILLES Bacon, saucisses, galettes	HI – Jusqu'à ce que la viande commence à grésiller	MED LO à MED – Finir la cuisson	Identique aux brûleurs standard
Braiser : steak suisse, rôti à la cocotte, ragoût	HI – Faire fondre la graisse, faire revenir entre MED HI et HI , ajouter du liquide, couvrir	Utiliser XLO	Laisser mijoter jusqu'à ce que la viande soit tendre
Grillade rapide au poêlon ; steaks pour déjeuner	MED HI à HI – Préchauffer le poêlon	MED HI à HI – Passer rapidement à la poêle	Identique aux brûleurs standard
Grillade : poulet	HI – Faire chauffer l'huile puis faire dorer sur MED	LO – Couvrir, finir la cuisson	Identique aux brûleurs standard
Friture : crevettes	HI – Faire chauffer l'huile	MED HI – Pour maintenir la température	Identique aux brûleurs standard
Grillade au poêlon : côtelettes d'agneau, steaks minces, hamburgers, saucisses en chapelet	HI – Préchauffer le poêlon	MED HI à HI – Faire dorer	Pour maintenir la chaleur, couvert Pour maintenir la chaleur, non couvert
Pocher : poulet, entier ou morceaux, poisson	HI – Couvrir, porter à ébullition	Utiliser XLO	Pour achever la cuisson.

Conseils de cuisson avec les brûleurs

Aliments	Réglage initial	Réglage final brûleurs standard	Réglage final brûleurs ExtraLow®
Faire mijoter : poulet à l'étouffée, corned-beef, langue, etc.	HI – Couvrir, porter le liquide à ébullition		Pour mijoter lentement
PÂTES Macaronis, nouilles, spaghettis	HI – Porter l'eau à ébullition, ajouter les pâtes	MED HI à HI – Pour maintenir à ébullition	Identique aux brûleurs standard
MAÏS SOUFFLÉ (Utilisez une casserole lourde à fond plat)	HI – Couvrir, chauffer jusqu'à ce que les grains commencent à éclater	MED HI à HI – Finir la cuisson	Identique aux brûleurs standard
COCOTTE-MINUTE Viande Légumes	MED HI à HI – Faire monter la pression. HI – Faire monter la pression.	MED LO à MED – Maintenir la pression MED LO à MED – Maintenir la pression	Identique aux brûleurs standard Identique aux brûleurs standard
RIZ	HI – Couvrir, faire bouillir de l'eau, ajouter le riz, couvrir		Faire cuire selon les instructions du paquet. XLO – Pour maintenir la chaleur, couvrir
SAUCES Sauce tomate	MED HI à HI – Cuire la viande/ les légumes selon la recette		Laisser mijoter (2 à 3 pour faire épaissir la sauce, non couvert)
Sauce blanche, à la crème, béarnaise	MED LO – Faire fondre la graisse, suivre la recette	LO à MED LO – Finir la cuisson	XLO – Pour maintenir la chaleur, couvrir*
Sauce hollandaise	XLO à LO	XLO	XLO – Pour maintenir la chaleur, utiliser le réglage le plus bas
SOUPES, BOUILLONS	HI – Couvrir, porter à ébullition		Laisser mijoter XLO – Pour maintenir la chaleur, couvrir*
LÉGUMES Frais	HI – Couvrir, porter à ébullition	MED LO à MED – Laisser cuire entre 10 et 30 minutes ou jusqu'à ce que les légumes soient tendres	XLO – Pour maintenir la chaleur, couvrir
Congelés	HI – Couvrir, porter à ébullition l'eau et les légumes	MED LO à MED – Faire cuire selon les instructions du paquet	Identique aux brûleurs standard
Friture	HI – Faire chauffer l'huile	MED à MED HI – Pour maintenir la température de friture	Identique aux brûleurs standard
En sachet	HI – Couvrir, porter à ébullition l'eau et les légumes	LO à MED LO – Faire cuire selon les instructions du sachet	Identique aux brûleurs standard
Sautés	HI – Faire chauffer l'huile ou fondre le beurre, ajouter les légumes	MED LO à MED – Laisser cuire jusqu'au point de cuisson voulu	Identique aux brûleurs standard
Revenus à la poêle	HI – Faire chauffer l'huile, ajouter les légumes	MED HI à HI – Finir la cuisson	Identique aux brûleurs standard

*Il est recommandé de tourner de temps en temps ces aliments.

Utilisation du grill

Il est recommandé d'installer **UNE HOTTE DE VENTILATION** d'une capacité adéquate avec évacuation à l'air libre, **AU-DESSUS DE LA CUISINIÈRE ET DU GRIL**. Pour la plupart des cuisines ayant une hotte murale, une hotte homologuée est conseillée. La hotte doit être installée conformément aux instructions d'installation fournies avec l'appareil et à la réglementation locale du code du bâtiment. Consultez les conditions de ventilation dans les Instructions d'installation pour plus de renseignements à ce sujet.

GRIL

(disponible sur certains modèles)

Quand vous faites cuire des aliments sur le grill, vous obtenez la même saveur qu'avec une viande cuite sur un barbecue à l'extérieur.

Cette saveur est créée par les gras et les jus amenés en surface des aliments et saisis par l'intense chaleur de la plaque de grill enduite de titane.

La plupart des aliments, steaks, côtelettes, galettes de bœuf, morceaux de volailles, etc. cuisent généralement plus vite sur le grill à gaz dont la chaleur est constante que sur un grill ordinaire au charbon.

Votre nouveau grill Thermador Professional® est équipé d'un brûleur en acier aluminé ayant la forme d'un tube à ceux qui sont utilisés dans les restaurants. L'allumage automatique a permis d'éliminer toutes les veilles que l'on trouve sur les grills de restaurants. Le brûleur du grill a une puissance de 12 000 BTu/h (même cote pour utilisation avec propane).

REMARQUE : Avec le gaz propane, un petit bruit ou un éclair peuvent se produire au niveau des orifices du brûleur quelques secondes après l'avoir éteint. Cela se produit en général quand le brûleur est resté un certain temps allumé. C'est un phénomène normal.

RALLUMAGE AUTOMATIQUE

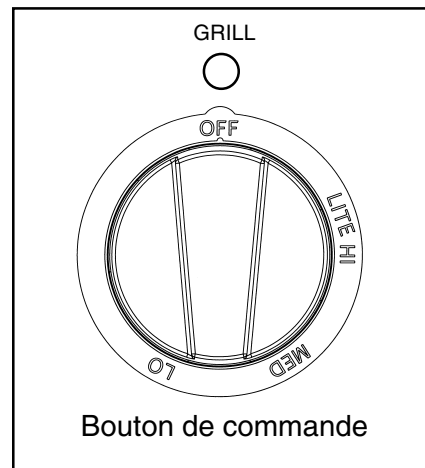
L'allumeur électronique s'allume automatiquement pour allumer le brûleur. NE PAS TOUCHER aux brûleurs pendant l'allumage.

EFFICACITÉ DU BRÛLEUR ET CARACTÉRISTIQUES DE LA FLAMME

La flamme du brûleur doit être de couleur bleue et stable, sans jaune aux extrémités ni bruit excessif et ne doit pas se soulever. Elle doit brûler complètement le long des deux côtés du tube.

Un mélange air-gaz inadéquat peut produire une flamme à l'extrémité jaune ou la faire virevolter. Faites régler la flamme par un technicien. Des impuretés peuvent donner au début une couleur orange à la flamme. Ce phénomène disparaîtra avec l'usage.

Si la flamme n'est pas régulière, virevolte, qu'elle fait trop de bruit ou se détache du brûleur, assurez-vous que les orifices du BRÛLEUR ne sont pas obstrués. Si c'est le cas, prenez un fil métallique, un trombone déplié ou une aiguille pour déboucher les orifices. Si le problème persiste, contactez votre centre de service pour un réglage.



BOUTON DE COMMANDE

Le bouton de commande du brûleur comporte une infinité de réglages de chaleur et il n'y a pas de position fixe entre HI et LO. Pour allumer le brûleur, appuyez sur le bouton et tournez-le dans le sens contraire des aiguilles d'une montre jusqu'à la position LITE. Réglez le bouton sur la puissance voulue.

Utilisation du gril

CUISSON SUR LE GRIL

- Préchauffez le gril à HI pendant un minimum de 10 à 15 minutes. Le gril chaud fait griller les aliments qui conservent leurs jus à l'intérieur. Plus le préchauffage sera long, plus vite la viande sera dorée et portera des traces de gril plus foncées.
- La cuisson au gril requiert une forte chaleur pour saisir et bien faire dorer. La plupart des aliments sont cuisinés avec les réglages de chaleur les plus forts pendant pratiquement toute la durée de la cuisson. Néanmoins, pour certains aliments, il peut être nécessaire de diminuer la puissance après la saisie afin de cuire l'intérieur des aliments sans les brûler.
- Les aliments cuits pendant longtemps ou arrosés d'une marinade sucrée peuvent demander une chaleur plus faible à la fin du temps de cuisson.
- Une fois le gril refroidi, vider le bac à graisse dans un contenant résistant. Nettoyer le plateau à graisse et la plaque de gril avec de l'eau chaude savonneuse et rincer à l'eau claire.
- Le plateau à graisse peuvent être placés au lave-vaisselle.

SUGGESTIONS DE CUISSON AU GRIL

- Enlevez le surplus de gras avant de faire cuire la viande. Faites des incisions dans le gras restant autour des bords à intervalles de 51 mm (2").
- Passez la sauce au pinceau à la fin de la cuisson.
- Utilisez une spatule ou une pince plutôt qu'une fourchette pour retourner la viande. Les fourchettes percent la viande et laissent ressortir le jus. Faire attention au moment de tourner la viande.
- La grille du gril comporte des barres latérales et arrière conçues pour faciliter le retournement des aliments avec une spatule.
- Ne retournez la viande qu'une fois, quand le jus commence à faire des bulles à la surface. De cette manière, le jus restera mieux dans la viande.
- Certains morceaux de viande ou de volaille cuisent plus vite que d'autres. Déplacez ces morceaux vers la partie la moins chaude du gril jusqu'à ce que les autres soient complètement cuits.
- Le point de cuisson des viandes dépend de l'épaisseur de coupe. D'après les chefs cuisiniers, il est impossible d'obtenir un point de cuisson bleu si la coupe est fine.
- Ajouter l'assaisonnement ou le sel après le grillage.



ATTENTION

- **Ne pas laisser le gril sans surveillance pendant l'utilisation.**
- **Si les enfants peuvent utiliser le gril, ils doivent être surveillés.**

À propos du gril à gaz

DESCRIPTION

Le gril intégré est fabriqué en aluminium de qualité restaurant enduit de titane. Ceci produit une surface avec chaleur uniforme facile à nettoyer.

Une planche à découper en érable et couvercle en acier inoxydable sont disponibles comme accessoires et peuvent être achetés séparément. Les deux sont de format approprié pour s'ajuster à la surface lorsque le gril n'est pas utilisé.

Avant la cuisson, s'assurer que le gril est bien assemblé. Le protège aliment doit être positionné à l'arrière de la plaque, comme illustré.

Tout ustensile peut être utilisé sur la surface du gril.

Il faut faire attention à ne pas endommager la surface.

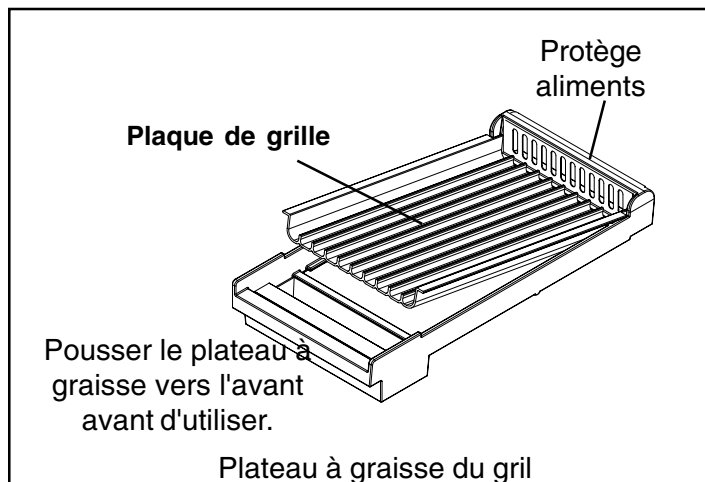


ATTENTION :

Le gril est chaud après utilisation. Laisser refroidir complètement avant de nettoyer.

PRÉPARATION DU GRIL

Le gril doit être incliné légèrement vers l'avant pour un rendement optimal. Voir le guide d'installation pour plus de détail et vérifier et régler le gril à l'inclinaison appropriée. Pendant l'installation, l'installateur est responsable afin de mettre de niveau l'appareil. La plaque de gril doit être lavée à l'eau chaude savonneuse, puis rincée à l'eau claire avant utilisation.



PLATEAU À GRAISSE DU GRIL

- Pousser le plateau sous le bord avant du rebord du gril pour recueillir la graisse et autres résidus.
- Nettoyer le plateau à chaque usage. Pour enlever le plateau, faire attention au moment de l'incliner pour que le contenu ne se déverse pas.
- Une fois refroidie, verser la graisse dans un contenant résistant pour jeter.

RECOMMANDATIONS DE CUISSON SUR LE GRIL

ALIMENTS	RÉGLAGE	DURÉE (minutes)
Saucisses	Moyen à élevé	7 à 11
Poitrine de poulet sans os	Moyen à élevé	17 à 23
Côtelettes porc sans os (1 po épais.)	Élevé	17 à 20
Tranches jambon (1/2 po épais.)	Moyen	6 à 8
Filet mignon 1 1/2 po épais.)	Élevé	13 à 18
Bifteck d'ailoyau (1 po épais.)	Élevé	15 à 20
Darne de saumon (1 po épais.)	Élevé	17 à 20
Saucisse italienne	Élevé	13 à 16
Galette de boeuf haché (6 onces)	Élevé	10 à 15
Hot dog	Moyen	7 à 12
Borchette de crevettes	Bas à moyen	6 à 8
Fruits ou légumes tranchés	Bas à moyen	6 à 10

À propos de la plaque de cuisson

(Présente sur certains modèles)

DESCRIPTION

La plaque de cuisson encastrée est de même qualité que celle des restaurants, en aluminium revêtu de titane, ce qui donne une surface qui répartit uniformément la chaleur et est facile à nettoyer.

Une table à découper en érable et un couvercle en acier inoxydable sont vendus en accessoires. Vous pouvez les acheter séparément. Ils sont tous deux conçus pour s'adapter à la surface de la plaque de cuisson quand elle est éteinte.

N'oubliez pas d'enlever la table à découper en érable et le couvercle en acier inoxydable avant d'allumer la plaque.

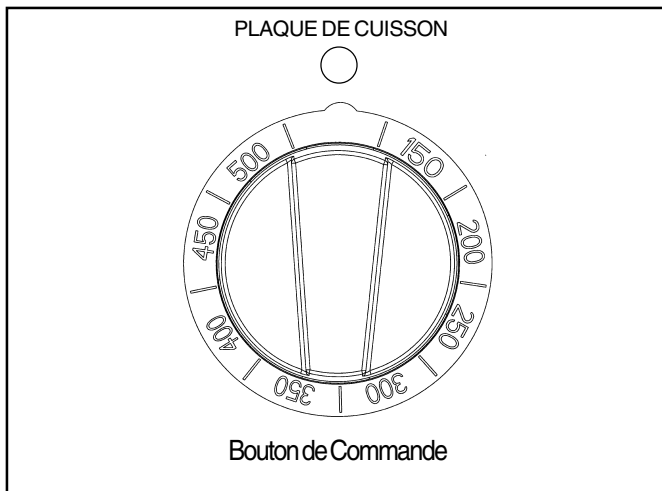
- L'élément de la plaque de cuisson est homologué pour 120 volts CA, 16 00 watts.



MISE EN GARDE

L'élément de la plaque de cuisson est chaud après avoir servi. Laissez refroidir suffisamment avant de nettoyer.

BOUTON DE COMMANDE



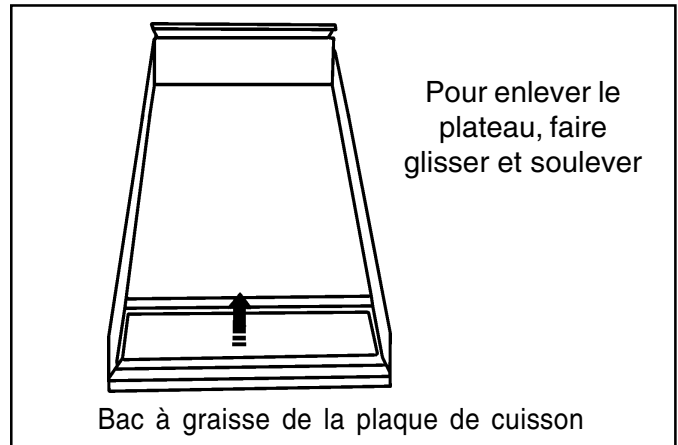
- La plaque de cuisson est contrôlée par le bouton électronique pour des réglages de température, indiqués sur le bouton, compris entre 65,5 °C (150 °F) et 260 °C (500 °F).
- Le bouton ne comporte pas de réglage fixe.
- Appuyez sur le bouton et tournez-le dans le sens contraire des aiguilles d'une montre sur le réglage de température voulu.

PRÉPARATION DE LA PLAQUE DE CUISSON

Pour un résultat optimal, la plaque de cuisson doit être à niveau ou légèrement inclinée vers l'avant. L'installateur doit niveler la plaque de cuisson au moment de l'installation.

La plaque se nettoie à l'eau tiède savonneuse. Rincez

à l'eau claire avant de l'utiliser. Il est possible de l'utiliser sans aucune matière grasse. Néanmoins, une très petite quantité de beurre, de margarine ou d'huile donnera de la saveur aux aliments. Vous pouvez utiliser tous les types d'ustensiles sur la plaque de cuisson. Prenez garde à ne pas endommager la surface avec les ustensiles.



BAC À GRAISSE DE LA PLAQUE DE CUISSON

- Poussez le bac sous le bord avant du rebord de la plaque de cuisson pour qu'il reçoive la graisse ou les résidus d'aliments.
- Nettoyez le bac après chaque emploi. Lorsque vous enlevez le bac, prenez garde en l'inclinant à ne pas en renverser le contenu.

Cuisson sur la plaque de cuisson

1. Assurez-vous que le bac à graisse se trouve sous le rebord de la plaque de cuisson.
2. Tournez le bouton sur la température de cuisson pour préchauffer la plaque.
3. Préchauffez pendant 10 à 12 minutes.
4. Ajouter beurre, margarine, huile si désiré.

CONSEILS DE CUISSON AVEC LA PLAQUE DE CUISSON

ALIMENTS	RÉGLAGE
Oeufs	150 à 160 °C (300 à 325 °F)
Bacon ; saucisses déjeuner	177 à 190 °C (350 à 375 °F)
Sandwiches toastés	160 à 177 °C (325 à 350 °F)
Poitrines de poulet désossées	177 à 190 °C (350 à 375 °F)
Cotelettes de porc de 1,27 cm (1/2")	177 à 190 °C (350 à 375 °F)
Tranches de jambon de 1,27 cm (1/2")	177 à 190 °C (350 à 375 °F)
Crêpes ; pain doré	177 à 190 °C (350 à 375 °F)
Patates ; patates rissolées	190 à 205 °C (375 à 400 °F)
Hot Dogs	160 à 177 °C (325 à 350 °F)
Galettes de bœuf haché (6 onces)	190 à 205 °C (375 à 400 °F)
Steak, 1 po d'épaisseur	190 à 205 °C (375 à 400 °F)

Cuisson au four

CONSEILS D'UTILISATION DE LA CUISSON AU FOUR PRÉCHAUFFAGE DU FOUR

Préchauffez le four avant d'y faire cuire des aliments, y compris les gros morceaux de viande ou de volaille. Suivez les indications de votre recette pour le préchauffage. Le temps de préchauffage dépend du réglage de température et du nombre de grilles placées dans le four.

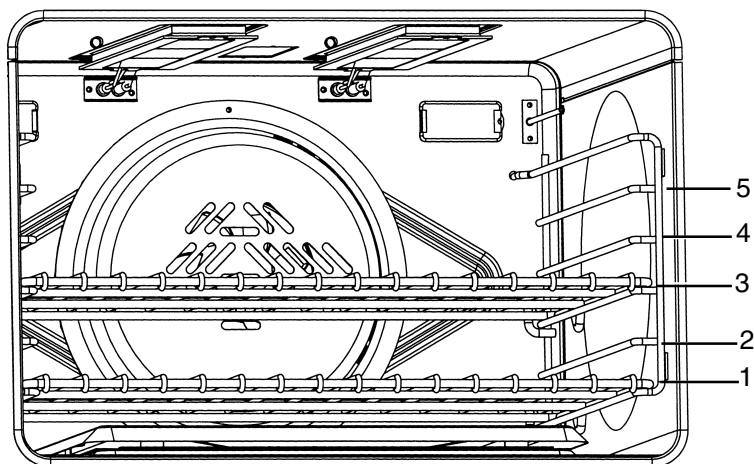
OPTIMISATION DES RÉSULTATS

- Réduisez au maximum le temps d'ouverture de la porte
 - Utilisez un minuteur.
 - Utilisez l'éclairage à l'intérieur du four.
- Choisissez un ustensile de taille adéquate ; utilisez le récipient recommandé dans la recette.
- Sortez les lèchefrites du four. Une lèchefrite supplémentaire sans aliments nuira au dorage et à la cuisson.
- Le dorage dépend du type d'ustensile utilisé :
 - Pour obtenir des croûtes tendres, légèrement dorées, utilisez des ustensiles anti-adhésifs/anodisés ou en métal brillant.
 - Pour des croûtes croustillantes plus dorées, utilisez des ustensiles métalliques noirs anti-adhésifs/anodisés ou noirs étamés ou encore en verre convenant aux fours. La température de cuisson requise pourra être abaissée de 14 °C (25 °F).

PLATS POUR LE FOUR

- Type
 - Plats en métal (avec ou sans revêtement anti-adhésif), verre résistant à la chaleur, verre-céramique, terre ou autres ustensiles allant au four.
 - Les tôles de four adaptées ont une petite lèvre d'un seul côté. Les tôles épaisses ou celles qui ont plus d'un côté peuvent modifier le temps de cuisson.
 - Les fours de 91,4 cm (36") et de 121,9 cm (48") admettent les tôles de cuisson de grande taille vendues dans le commerce 45,72 x 66,04 cm (18" x 26").

POSITION DES GRILLES



Grand four à gaz avec les différentes positions des grilles

Position des grilles de four

Les positions des grilles de four sont numérotées comme un ascenseur. Le numéro un est la position la plus basse.

GRAND FOUR

Cuisson avec une seule grille

- Le mode Bake (Cuisson) est le plus adapté à la cuisson au four avec une seule grille placée en position numéro 3 ; c'est le mode utilisé pour la plupart des aliments. Si la pièce à cuire est aussi haute qu'un gâteau des anges, vous pouvez utiliser la position numéro 2. Les tartes cuisent mieux sur le niveau numéro 2 pour que le dessous de la pâte soit bien cuit sans que le dessus ne roussisse. Pour faire rôtir de grosses pièces de viandes ou de volaille telles qu'une côte de bœuf ou une dinde, le niveau est le plus adapté.

Cuisson avec deux grilles

- Les niveaux 2 et 5 permettent de faire cuire à deux niveaux. Les petits gâteaux secs ou les biscuits sont des mets adaptés à ce type de cuisson. Les ragoûts peuvent également être cuits en utilisant ces deux niveaux.

Cuisson avec trois grilles

- Pour la cuisson avec trois grilles, le mode Convection Bake (Cuisson par convection) doit être utilisé

FOUR DE 30,5 cm (12 pouces) (Modèles 48 po)

- Les meilleurs résultats s'obtiennent avec la position de grille numéro 3. Pour des plats plus hauts, il est possible d'utiliser la position numéro 2. L'utilisation de la position numéro 2 pour les tartes permettra d'obtenir une pâte croustillante sans que le dessus ne soit trop cuit.
- Pour une utilisation de deux grilles dans le petit four, utilisez les positions numéros 2 et 5. Pour de meilleurs résultats, décalez les plats de cuisson en plaçant un plat au fond de la grille numéro 2 et un plat sur l'avant de la grille numéro 5.
- **Positionnement**
 - ▲ Laissez un espace d'au moins 25 mm (1") entre les plats et les parois du four pour que la chaleur puisse circuler.
 - ▲ Espacez les plats de sorte qu'ils ne se trouvent pas juste au-dessus l'un de l'autre. Laissez 38 mm (1-1/2 ") au-dessus et en dessous de chaque plat.

Convection

Cuisson à convection

Il y a plusieurs avantages à la cuisson à convection. Dans le système à convection, un ventilateur à l'arrière du four déplace uniformément l'air dans le four. Cet air offre une chaleur uniforme pour que les aliments placés sur toute grille donnent des résultats constants. Des aliments sur plusieurs grilles peuvent être cuits en même temps et seront cuits sans avoir à tourner les plats.

Des plats peu profonds doivent être utilisés pour la cuisson à convection. Ceci permet à l'air de bien circuler. Les plats à côtés élevés ou couverts ne conviennent pas à ce type de cuisson car l'air chaud ne peut circuler autour des aliments.

Il est possible d'utiliser les plats préférés pour la cuisson à convection en autant que les bords soient peu profonds pour que l'air circule autour des aliments. Tout aliment non couvert brunira uniformément et une croûte riche se formera. Les aliments dans des casseroles couvertes (casseroles, rôtis) ou crème anglaise ne profitent pas de la cuisson à convection.

Cuisson à convection

Il est possible d'économiser du temps en cuisant une bonne quantité de biscuits en même temps. Les biscuits cuisent uniformément. La durée de cuisson peut être plus courte grâce à l'air chaud qui circule. Pour de petits items, comme les biscuits, vérifier la cuisson deux minutes avant le temps indiqué dans la recette. Pour des items plus grands, comme les gâteaux, vérifier cinq à six minutes avant le temps indiqué dans la recette.

La cuisson à convection de la viande et de la volaille donnera des aliments brunis et croustillants à l'extérieur et tendres et juteux à l'intérieur. De grosses pièces de viande ou de volaille peuvent prendre jusqu'à 30 minutes de moins que le temps recommandé dans la recette, par conséquent, vérifier la cuisson afin qu'elles ne cuisent pas trop. Un thermomètre à viande assurera des résultats précis plutôt que le nombre de minutes par livres (kg). Plus la pièce de viande ou volaille est grosse, plus il y a économie de temps.

Conversion de la cuisson conventionnelle à la cuisson à convection

Pour convertir les plupart des recettes (biscuits, gâteaux, tartes, etc.), réduire la température du four de 25 °F. Pour la viande et la volaille, la température ne doit pas être réduite. Utiliser la même température que celle recommandée dans la recette et les tableaux de cuisson pour la viande et la volaille.

Cuisson par convection

CONSEILS D'UTILISATION DE LA CUISSON PAR CONVECTION

PRÉCHAUFFAGE DU FOUR

Quel que soit le type d'aliments à cuire, préchauffez le four. Suivez les recommandations de votre recette pour le préchauffage. Le temps de préchauffage dépend du réglage de la température et du nombre de grilles placées dans le four.

CUISSON À HAUTE ALTITUDE

En haute altitude, les recettes et les temps de cuisson sur le mode CUISSON (BAKE) ou sur le mode CUISSON PAR CONVECTION (CONVECTION BAKE) peuvent changer. Pour plus d'information, écrivez à : Extension Service, Colorado State University, Fort Collins, Colorado 80521 USA. Les bulletins peuvent être payants. Précisez le type d'information que vous voulez recevoir (par exemple, gâteaux, petits gâteaux secs, pain, etc.).

CONDENSATION

Il est normal que de l'humidité s'évapore des aliments pendant le processus de cuisson. La quantité d'humidité dépend du degré d'humidité des aliments. Cette humidité se condensera sur toute surface plus froide que l'intérieur du four, telle que le panneau de commandes.

RÉGLAGE DE TEMPÉRATURE

Quand vous utilisez la cuisson par convection, réduisez la température recommandée dans la recette de 13,9°C (25°F). Il n'est pas nécessaire de réduire la température pour cuire la viande et la volaille. Pour rôtir des viandes, vérifiez la température intérieure avant d'enfourner votre plat pour ajuster le temps de cuisson recommandé dans la recette et éviter qu'il ne soit trop cuit.

POSITION DES GRILLES

GRAND FOUR

Cuisson avec une grille

- Pour la cuisson avec une seule grille, vous obtiendrez de meilleurs résultats sur le mode cuisson (voir Cuisson au four).
- Pour faire rôtir une dinde ou une grosse pièce de viande, utilisez la cuisson par convection. La position 2 est la plus appropriée.

Cuisson avec deux grilles

- Les grilles 2 et 5 sont idéales avec le mode cuisson à convection. Il est préférable de ne pas mettre les plats en quinconce. Le plat sur la grille 2 doit être placé directement sous celui de la grille 5 ; toutefois pour les moules à gâteaux ronds, les placer en quinconce pour de meilleurs résultats.
- Ce mode convient aux gâteaux, petits gâteaux secs, biscuits et autres aliments pour lesquels deux grilles de cuisson sont souhaitables.
- Pour faire cuire plusieurs ragoûts, tartes congelées ou gâteaux, utilisez les positions numéros 2 et 5.
- Ces deux grilles peuvent également servir à préparer de grands repas.

Cuisson avec trois grilles

- Si vous voulez faire cuire plusieurs tôles à pâtisserie, placez-les sur les positions numéros 1, 3 et 5. Posez les tôles de cuisson directement au-dessus les unes des autres sur leurs grilles respectives pour permettre la circulation de l'air.

PLATS POUR LE FOUR

Type

- Les plats en aluminium sont ceux qui donnent les meilleurs dorages.
- Les tôles à pâtisserie doivent avoir des côtés bas ; utilisez des demi-tôles en aluminium en vente dans le commerce ou bien des récipients professionnels. Le temps de cuisson peut varier légèrement.

Positionnement

- Pour un meilleur dorage, les récipients tels que tôles à pâtisserie, moules ronds ou plats rectangulaires doivent être placés dans le sens transversal sur la grille, avec les côtés les plus courts à droite et à gauche. Cela permet de laisser l'air circuler librement.
- Au moment de cuire sur plus d'une grille, placer les moules ronds à gâteau les uns au-dessus des autres, mais non les plaques à biscuits.

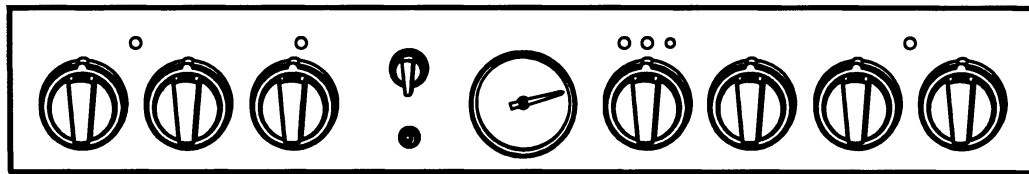


MISE EN GARDE

■ POUR TOUS LES MODES UTILISÉS AVEC LE FOUR

N'utilisez jamais de papier d'aluminium pour recouvrir les grilles ou garnir le four. Cela pourrait l'endommager ou provoquer un incendie si la chaleur reste bloquée en dessous. Voir page 47.

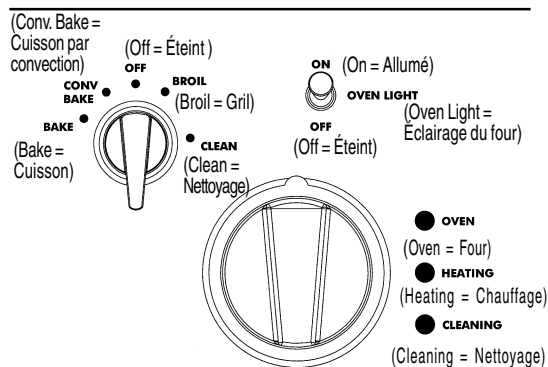
Réglages de cuisson/cuisson par convection



CUISSON/CUISSON PAR CONVECTION

Ces modes de cuisson servent à cuire, à rôtir ou à réchauffer avec une, deux ou trois grilles.

BOUTONS DE COMMANDE DU FOUR DE 30 PO

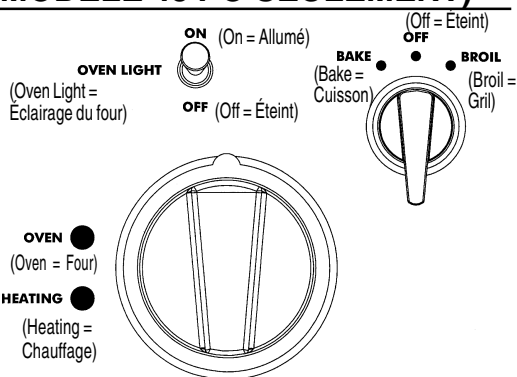


REMARQUE : Quand le four est allumé, le ventilateur de refroidissement se met automatiquement en marche. C'est le processus normal. Lorsque le four est éteint, le ventilateur reste en marche jusqu'à ce que la température du four descende à 163 °C (325 °F). Le ventilateur de refroidissement fonctionne également pendant l'utilisation du gril et pendant le cycle de nettoyage automatique. **Si le ventilateur ne tourne pas quand vous allumez le four sur ces modes, n'utilisez pas le four.** Appelez un technicien qualifié pour réparer l'appareil.

RÉGLAGE DU FOUR À GAZ

1. Sélectionnez **BAKE (CUISSON)** ou **CONV. BAKE (CUISSON PAR CONVECTION)** à l'aide du sélecteur.
2. Réglez la température du four à l'aide du bouton de commande.
 - ▲ Si vous utilisez **CONV. BAKE (CUISSON PAR CONVECTION)**, réglez le bouton de commande du four sur une température de 13,9 °C (25 °F) inférieure à la température conseillée dans la recette. La température demeure la même pour rôtir de la viande ou de la volaille.
 - ▲ Sur le mode **CONV. BAKE (CUISSON PAR CONVECTION)**, le ventilateur de convection s'allume six minutes après l'allumage du four.
 - ▲ Les voyants **OVEN (FOUR)** et **HEATING (CHAUFFAGE)** s'allument.
 - ▲ Le thermostat commence à tourner en direction du réglage de température.
 - ▲ Le voyant **HEATING (CHAUFFAGE)** s'allume et s'éteint. Le four est préchauffé quand le voyant **HEATING (CHAUFFAGE)** s'éteint pour la première fois.
 - ▲ Le thermostat indique le réglage de température.
 - ▲ L'aiguille du thermostat se déplace sur le nouveau réglage de température si l'on augmente ou diminue cette dernière. **Cette aiguille est purement indicative.**
 - ▲ Le voyant **OVEN (FOUR)** s'allume et reste allumé jusqu'à ce que le sélecteur ou le bouton de commande soient placés sur la position **OFF**.
 - ▲ Quand le four refroidit, l'aiguille du thermostat commence à baisser pour indiquer la température réelle du four.

FOUR DE 30,5 cm (12 pouces) (MODÈLE 48 PO SEULEMENT)



RÉGLAGE DU FOUR DE 30,5 CM (12 POUCES) (MODÈLE 48 PO SEULEMENT)

1. Sélectionnez la position **BAKE (CUISSON)** avec le sélecteur.
2. Réglez la température à l'aide du bouton de commande du four.
 - ▲ Le voyant **OVEN (FOUR)** s'allume.
 - ▲ Le voyant **HEATING (CHAUFFAGE)** s'allume.
 - ▲ Le voyant **HEATING (CHAUFFAGE)** s'allume et s'éteint. Le four est préchauffé quand le voyant **HEATING (CHAUFFAGE)** s'éteint pour la première fois.
 - ▲ Le voyant **OVEN (FOUR)** reste allumé jusqu'à ce que le sélecteur soit placé sur la position **OFF (ÉTEINT)**.

REMARQUE : Le thermostat ne s'applique qu'au grand four.

BOUTONS DE COMMANDE

Autres utilisations du four

CUISSON LENTE ET À BASSE TEMPÉRATURE

Outre des températures idéales pour cuire et rôtir, ce four offre la possibilité de conserver des plats cuisinés au chaud, de déshydrater des aliments et de réchauffer les plats, grâce à ses réglages à basse température.

Les plats cuisinés chauds seront conservés à leur température de service. Réglez le four sur le mode cuisson et utilisez la température indiquée dans le tableau.

Pour de meilleurs résultats, préchauffez le four à la température souhaitée.

Les aliments susceptibles de se dessécher devront être recouverts de papier d'aluminium ou d'un couvercle.

SALUBRITÉ ALIMENTAIRE

Le ministère de l'Agriculture américain vous conseille de NE PAS MAINTENIR les aliments à des températures comprises entre 4 °C (40 °F) et 60 °C (140 °F) pendant plus de deux heures. Il est déconseillé de cuire des aliments crus à des températures inférieures à 135 °C (275 °F).

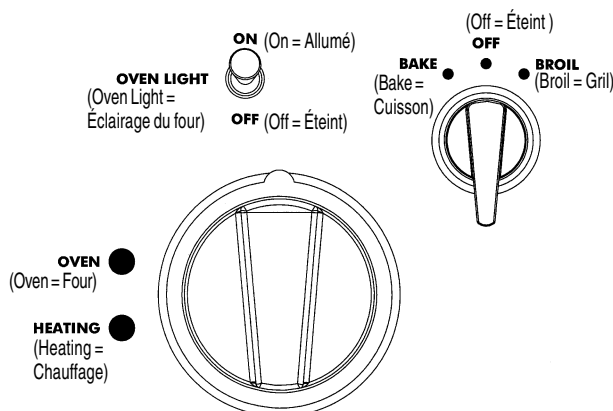
Suggestions de température pour conserver la chaleur des aliments

ALIMENTS, TEMPÉRATURE DU FOUR (EN DEGRÉS CELCIUS ET FARENHEIT)

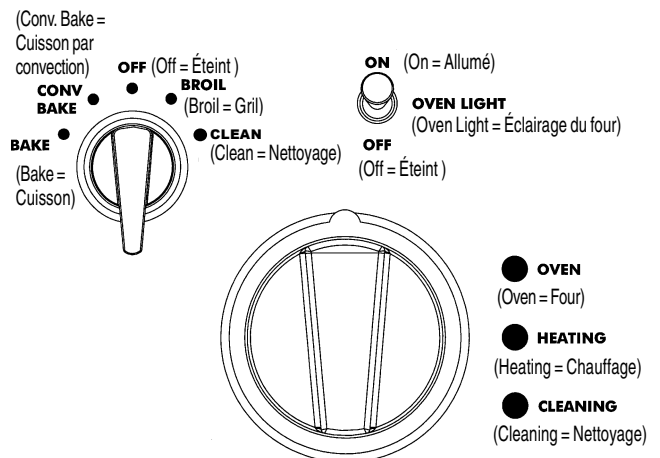
Boeuf	65 °C (150 °F)
Bacon	93 à 107 °C (200 à 225 °F)
Biscuits et muffins (recouverts)	79 à 93 °C (175 à 200 °F)
Ragoût (recouvert)	79 à 93 °C (175 à 200 °F)
Poisson et fruits de mer	79 à 93 °C (175 à 200 °F)
Aliments frits	93 à 107 °C (200 à 225 °F)
Jus de viande ou sauces à la crème (recouverts)	79 °C (175 °F)
Agneau et rôtis de veau	79 à 93 °C (175 à 200 °F)
Crêpes et gaufres (recouvertes)	93 à 107 °C (200 à 225 °F)
Pommes de terre	
Cuites	93 °C (200 °F)
Purée (recouverte)	79 °C (175 °F)
Pâtes et pâtisseries	79 °C (175 °F)
Pizza (recouverte)	107 °C (225 °F)
Porc	79 à 93 °C (175 à 200 °F)
Volaille (recouverte)	79 à 93 °C (175 à 200 °F)
Légumes (recouverts)	79 °C (175 °F)

BOUTONS DE COMMANDE DU FOUR

PETIT FOUR À GAZ



GRAND FOUR À GAZ



Conseils de cuisson au four

Aliments	Dimensions du plat	Réglage de température	Temps de cuisson total suggéré
Biscuits	30,5 x 38,1 cm (12" x15")	190 °C (375 °F)	8 à 12 minutes
Gâteaux fourrés	20,3 ou 22,9 cm (8" ou 9") rond	177 °C (350 °F)	25 à 35 minutes
Feuilletés	Plat de 22,9 ou 33 cm (9"x13")	177 °C (350 °F)	30 à 40 minutes
Gâteaux Bundt™	Plat de 1,5 kg (12 cup)	163 °C (325 °F)	60 à 75 minutes
Carrés au chocolat ou biscuits rectangulaires	Plat de 22,9 x 22,9 cm (9"x9")	163 °C (325 °F)	20 à 25 minutes
Biscuits	Tôle à pâtisserie 30,5 x 38,1 cm (12"x15")	218 °C (425 °F) ou instructions du paquet	10 à 15 minutes
Préparation rapide pour pain	Moule de 20,3 x 10,2 cm (8"x4")	177 °C (350 °F)	55 à 70 minutes
Muffins	12 cup ramequins à muffins	218 °C (425 °F)	14 à 19 minutes
Tartes aux fruits	Diamètre de 22,8 cm (9")	218 °C (425 °F)	35 à 45 minutes
Pavés aux fruits	Plat de 22,8 x 22,8 cm (9"x9")	204 °C (400 °F)	25 à 30 minutes
Pain à la levure, miches	Moule de 20,3 x 10,2 cm (8"x4")	218 °C (425 °F)	25 à 30 minutes
Petits pains	Plat de 22,9 ou 33 cm (9"x13")	204 °C (400 °F)	12 à 18 minutes
Rouleaux cannelle	Plat de 22,9 ou 33 cm (9"x13")	190 °C (375 °F)	25 à 30 minutes
Gâteau danois	Tôle à pâtisserie 30,5 x 38,1 cm (12"x15")	204 °C (400 °F)	20 à 30 minutes

Gril

CONSEILS D'UTILISATION DU GRIL

PRÉCHAUFFAGE DU GRIL

Il est conseillé de préchauffer le gril avant de commencer la cuisson. Préchauffez jusqu'à ce que le thermostat atteigne « Broil » (gril).

POUR OBTENIR LES MEILLEURS RÉSULTATS

- ▲ Décongelez les aliments avant de les faire griller.
- ▲ Pour obtenir un point de cuisson saignant, les steaks doivent avoir une épaisseur d'au moins 25 mm (1").
- ▲ Ne retournez les aliments qu'une fois, au milieu du temps total de cuisson. Il n'est pas nécessaire de retourner les morceaux très fins (tranches de jambon, filets de poisson, etc.). Les tranches de foie doivent être retournées indépendamment de leur épaisseur.
- ▲ Utilisez une minuterie. Réglez-le sur la durée minimum de vérification de la cuisson.
- ▲ Placez les aliments directement sous les brûleurs aux infrarouges pour qu'ils dorent bien.
- ▲ Pour éviter de faire brûler la peau du poulet, enlevez-la avant le grillage.

POSITION DE LA GRILLE

Avant d'allumer le four, placez la grille dans la position voulue. Après avoir préchauffé le gril, centrez la lèchefrite sous les brûleurs aux infrarouges.

Four à gaz

- N° 5 Utilisez cette position de grille pour faire griller les steaks de bœuf, les galettes de bœuf, les steaks de jambon et les côtes d'agneau de 25 mm (1 ") ou moins d'épaisseur. Utilisez-la également pour faire dorer le dessus des aliments.
- N° 4 Utilisez cette position de grille pour faire griller des viandes d'une épaisseur de 29 mm (1-1/8") ou plus, le poisson, la volaille, les côtes de porc, les steaks de jambon de 25 mm (1") ou plus d'épaisseur.
- N° 3 Utilisez cette position de grille pour faire rôtir des moitiés de poulets (enlevez la peau).

Avant d'allumer le four, placez la grille et la lèchefrite dans la position désirée. Après avoir préchauffé le gril, centrez la lèchefrite directement sous les brûleurs aux infrarouges.

RÉCIPIENTS

- ▲ La lèchefrite en deux parties en porcelaine émaillée avec sa grille est incluse avec la cuisinière. **NE RECOUVREZ PAS** la grille quadrillée (dessus) avec du papier d'aluminium.
- ▲ Utilisez des plats en métal ou en vitrocéramique pour faire gratiner les ragoûts, les plats ou le pain.
- ▲ N'UTILISEZ PAS de plats en verre résistant à la chaleur ou en terre cuite. Ce type de plats ne résistera pas à l'intense chaleur du gril.
- ▲ La lèchefrite en deux parties en aluminium est conçue pour être utilisée avec le petit four de 30,5 cm (12") des modèles de cuisinières 48 po.

GRILLER À L'AIDE D'UN THERMOMÈTRE À VIANDE

Pour déterminer de manière précise le point de cuisson d'un steak ou d'une côte épaisse (plus de 38 mm (1,5")), utilisez un thermomètre à viande ordinaire. Introduisez la pointe du thermomètre dans le côté de la pièce et enfoncez-le jusqu'au centre.

Pour les steaks saignants, faites d'abord cuire le premier côté jusqu'à 32 °C (90 °F). Pour les steaks à point ou bien cuits, faites cuire le premier côté jusqu'à 37 °C (100 °F). Retournez et faites cuire le second côté jusqu'à la température interne voulue.

FOUR À GAZ AUXILIAIRE (Modèles 48 po)

Les aliments peuvent être grillés sur les positions de grille à la position 3, 4 ou 5, selon le type d'aliments et leur épaisseur. La position 5 pourra être utilisée pour faire gratiner les aliments.

REMARQUE :

Il est impossible d'utiliser simultanément le four et le gril. Quand l'un est en marche, l'autre ne peut pas être allumé.

Réglage du gril du four à gaz

GRIL – FOUR À GAZ

Seuls les doubles brûleurs aux infrarouges chauffent sur le mode BROIL (GRIL).

REMARQUE :

Pour être réussie, une grillade exige une exposition constante à une chaleur élevée et intense.

RÉGLAGE DU FOUR SUR GRIL

1. Placez la grille sur la position voulue dans le four.
 2. Réglez le sélecteur sur Broil (Gril).
 3. Réglez le bouton de commande sur Broil (Gril).
 4. Le thermostat se positionnera sur grillage au bout de cinq minutes.
 5. Placez les aliments dans le four sur la position voulue, tel qu'expliqué à la page 71.
 6. La porte peut rester entrouverte ou être fermée pendant le cycle de grillage.
- ▲ Votre cuisinière Professional® vous est fournie avec une grande lèchefrite en deux parties. Les jus de cuisson coulent au travers de la grille quadrillée dans la partie inférieure, s'éloignant ainsi de l'intense chaleur du gril pour minimiser les éclaboussures et la fumée.
 - ▲ Les modèles PG48 comprennent une lèchefrite en deux parties en aluminium, qui s'utilise dans le four auxiliaire.

Voyant de chauffage du four

Cette veilleuse s'allume lorsque le four chauffe et s'éteint quand la température du réglage est atteinte. Le cycle se répète pendant toute la durée d'utilisation du mode BROIL (GRIL).

Ventilateur de refroidissement

Le ventilateur de refroidissement se met en marche dès que le gril est allumé. Il continue à fonctionner pendant toute la durée d'utilisation et jusqu'à ce que l'on éteigne le gril et que la température du four descende au-dessous de 163 °C (325 °F).

Conseils de cuisson – gril et four

Toutes les viandes sont placées sur la lèchefrite fournie avec la cuisinière.

Aliments	Position de la grille	Mode du four	Réglage de température	Temps de cuisson approximatif	Instructions particulières et conseils
Boeuf Viande hachée de boeuf, 12,5 mm (1/2") d'épaisseur	4	Broil ou (Gril) Conv Broil (Gril à conv)	Broil (Gril) Conv Broil (Gril à conv)	15 à 20 minutes	Faire griller jusqu'à disparition de la teinte rosée au centre.
Bifteck d'ailoyau	4	Broil (Gril) Conv Broil (Gril à conv)	Broil (Gril) Conv Broil (Gril à conv)	12 à 20 minutes	Le temps dépend du point de cuisson.
Steak de flanc	4	Broil (Gril) Conv Broil (Gril à conv)	Broil (Gril) Conv Broil (Gril à conv)	12 à 20 minutes	Le meilleur résultat est un point de cuisson et saignant à point.
Rôti de noix de ronde	3	Bake (Cuisson au four) Conv Bake (Cuisson par conv)	163 °C (325 °F)	44 à 55 min/kg	Les petits rôtis requièrent plus de temps par livre. Réduire la durée en utilisant la cuisson à convection.
Porc Rôti de longe	3	Bake (Cuisson au four) Conv Bake (Cuisson par conv)	163 °C (325 °F)	44 à 55 min/kg	Laisser cuire jusqu'à élimination des jus.
Volaille Poitrines de poulet sans os, sans peau	4	Broil (Gril) Conv Broil (Gril à conv)	Broil (Gril) Conv Broil (Gril à conv)	44 à 55 min/kg	Laisser cuire jusqu'à élimination des jus.
Cuisses de poulet	3	Broil (Gril) Conv Broil (Gril à conv)	Broil (Gril) Conv Broil (Gril à conv)	25 à 30 minutes	Retirer la peau ; laisser jusqu'à élimination des jus.
Demi-poulets	3	Broil (Gril) Conv Broil (Gril à conv)	Broil (Gril) Conv Broil (Gril à conv)	30 à 45 minutes	Retourner l'aide d'une pince; Laisser cuire jusqu'à élimination des jus.
Poulet à rôtir poitrines	2	Bake (Cuisson au four) Conv Bake (Cuisson par conv)	177 °C (350 °F)	75 à 90 minutes	Réduire la durée pendant le gril à convection.
Dinde	2	Bake (Cuisson au four) Conv Bake (Cuisson par conv)	163 °C (325 °F)	44 à 55 min/kg	Réduire la durée pendant le gril à convection.

Nettoyage automatique du four

AVERTISSEMENT

- Ne laissez pas d'enfants seuls ou sans surveillance dans un endroit où des électroménagers sont en cours d'utilisation.
- Durant le cycle d'autonettoyage, les surfaces extérieures de l'appareil peuvent devenir plus chaudes que d'habitude. Certaines pièces de l'appareil peuvent être dangereuses pour les enfants et pour les personnes qui ne possèdent pas les connaissances d'un adulte par rapport aux électroménagers ou qui ne réagissent pas comme un adulte devrait le faire dans une situation potentiellement dangereuse. Ces personnes devraient s'éloigner de l'appareil durant l'autonettoyage ou lorsqu'il est en cours d'utilisation.
- L'élimination de saletés durant le processus d'autonettoyage peut faciliter l'émission de petites quantités de produits chimiques ou d'autres substances auxquelles une certaine exposition pourrait être dangereuse. Pour minimiser toute exposition à ces substances, assurez-vous de bien aérer la pièce en ouvrant une fenêtre ou en utilisant un ventilateur ou une hotte.
- Gardez vos oiseaux de compagnie à l'extérieur de la cuisine ou d'autres pièces où la fumée de la cuisine pourrait les atteindre. La fumée qui se dégage de l'appareil durant l'autonettoyage peut être nuisible aux oiseaux.

GRAND FOUR À GAZ

Votre nouvelle cuisinière possède un four autonettoyant par pyrolyse. Réglé sur le mode CLEAN (nettoyage), le four atteint une très haute température soit environ 443 °C (830 °F), ce qui élimine les résidus d'aliments.

Quand le four est réglé au mode nettoyage, seuls les brûleurs de la table de cuisson sont disponibles. Le petit four de 30,5 cm (12") (modèle 48 po seulement), la plaque de cuisson et/ou le gril ne peuvent être utilisés.

Il est courant d'observer de la fumée et/ou des flammes pendant le cycle de nettoyage, selon la teneur et la quantité des résidus présents dans le four. Si la flamme persiste, éteignez le four puis laissez-le refroidir avant d'ouvrir la porte pour retirer l'excès de salissure.

À la fin du cycle de nettoyage, il est possible qu'un peu de cendres grises ou quelques résidus brûlés soient encore dans le four. Ce sont des dépôts minéraux qui ne brûlent et ne fondent pas. La quantité de cendres dépend de l'état de salissure du four avant le nettoyage. Elles sont faciles à enlever une fois le four froid, à l'aide d'une serviette en papier, d'une éponge ou d'un chiffon humide.

Essayez les traces de fumées de l'avant de la cuisinière à l'aide des produits Formula 409® ou Fantastik®. S'il reste des taches, retirez-les à l'aide d'un produit d'entretien liquide doux. L'importance des traces de fumée est directement en rapport avec la quantité des résidus d'aliments étant restés dans le four au moment du nettoyage automatique. Nettoyez souvent le four.

AVANT D'EFFECTUER LE NETTOYAGE AUTOMATIQUE DU FOUR

Essayez les grosses taches de graisse et retirez tous les résidus non collés pouvant être facilement ôtés.

Nettoyez toutes les saletés à l'extérieur de la zone du joint de porte. Cet appareil est conçu pour nettoyer l'intérieur du four et l'intérieur de la porte du four. Le pourtour de la porte et la cavité du four ne se trouvent pas dans la zone de nettoyage. Nettoyez bien cette zone **AVANT DE LANCER LE CYCLE DE NETTOYAGE AUTOMATIQUE DU FOUR.**

- **Retirez tous les récipients.**
- **Retirez les grilles.**
- **Nettoyez le cadre avant du four et le pourtour de la porte. Ôtez le plus gros des débordements et des graisses.**
- **Assurez-vous que les ampoules d'éclairage et les couvercles en verre sont en place.**
- **Allumez la hotte installée au-dessus de la cuisinière et laissez-la en marche pendant tout le cycle de nettoyage.**

IMPORTANT : Lors du premier cycle de nettoyage automatique, sortez les petits animaux domestiques ou oiseaux de la cuisine et de la zone environnante. Ouvrez une fenêtre pour assurer une meilleure aération.

Si vous tentez de lancer un deuxième cycle de nettoyage à la fin du premier et que la température du four est encore supérieure à 260 °C (500 °F), le voyant DEL commencera à clignoter pour indiquer que la cuisinière n'est pas entièrement refroidie. Le four ne peut être utilisé tant que la température n'est pas tombée en dessous de 260 °C (500 °F) et que la porte n'est pas débloquée.

VERROUILLAGE DE PORTE

Au démarrage du cycle de nettoyage, le cycle de verrouillage automatique de porte commence. Le thermostat commence à se déplacer vers la position CLEAN (nettoyage) cinq minutes après le début du nettoyage. Assurez-vous que la porte est bien verrouillée. Vous pouvez éteindre le cycle de nettoyage en sélectionnant la position OFF (éteint). Le voyant CLEANING ne s'éteint que lorsque la température du four est descendue à moins de 260 °C (500 °F) et que le cycle de verrouillage de porte est revenu sur la position ouverte. Assurez-vous que la porte du four est verrouillée au début du cycle de nettoyage automatique.

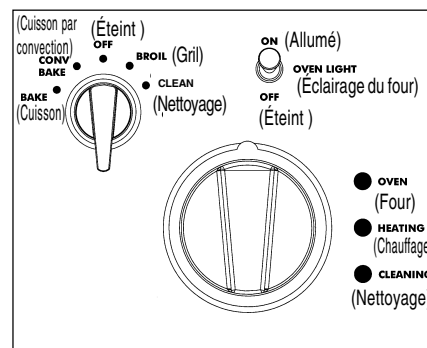
Assurez-vous que la porte du four est verrouillée au début du cycle de nettoyage automatique.

Nettoyage automatique du four

Pour régler le grand four autonettoyant à la position

1. Sélectionnez la position CLEAN (nettoyage) à l'aide du sélecteur.
2. Réglez le bouton de commande du four sur CLEAN.
 - ▲ Le ventilateur du four se met en marche.
 - ▲ Le voyant du four et le voyant de chauffage s'allument.
 - ▲ Le voyant LOCK (verrouillée) s'allume.
 - ▲ Le thermostat se déplace sur CLEAN (nettoyage) au bout 5 minutes.
 - ▲ Le processus de verrouillage de porte dure environ 60 secondes, après quoi la porte est bloquée. Assurez-vous que la porte est bien verrouillée.

MODÈLE 30 PO BOUTONS DE COMMANDE DU FOUR



À LA FIN DU CYCLE DE NETTOYAGE

Le cycle de nettoyage dure environ 4 à 5 heures. Le ventilateur, le témoin du four et le témoin de nettoyage s'éteignent lorsque le cycle est terminé. Ne réglez pas le sélecteur ni le bouton de commande du four sur la position OFF (Éteint) tant que le voyant de verrouillage ne s'est pas éteint.

1. Placez le sélecteur sur la position OFF (Éteint).
 - ▲ Le verrou de la porte s'ouvre automatiquement quand le four a atteint une température inférieure à 260 °C (500 °F) et que le second cycle de verrouillage automatique de porte est revenu sur la position ouverte.
 - ▲ Le ventilateur de refroidissement s'éteint lorsque la température tombe à 163 °C (325 °F).
2. Tournez le bouton de commande à la position OFF.

⚠ MISE EN GARDE

Au moment où le voyant de verrouillage s'éteint et qu'il est possible d'ouvrir la porte du four, l'intérieur du four est encore chaud.

CONSEILS DE NETTOYAGE

1. Les revêtements en porcelaine émaillée sont résistants mais pas à l'épreuve des acides. Les aliments acides tels que jus d'agrumes, de tomate, de rhubarbe, de vinaigre, d'alcool ou de lait doivent être essuyés afin de ne pas cuire sur l'émail à la prochaine utilisation.
2. Retirez les grilles du four. Consultez le paragraphe Grilles, dans les Conseils de nettoyage de la cuisinière à la page 86.
3. Le brûleur aux infrarouges du four ne requiert pas de nettoyage ; les résidus se consomment eux-mêmes pendant l'utilisation du four.
4. Le four de 30,5 cm (12 pouces) (modèles PG48 seulement) n'est pas autonettoyant. Faites attention lors du nettoyage du four auxiliaire. Utilisez de l'eau chaude savonneuse, rincez puis séchez bien.

Nettoyage de la cuisinière

POUR NETTOYER LA CUISINIÈRE

1. Utilisez la méthode de nettoyage qui tout en restant efficace est la moins agressive possible. Certains produits d'entretien similaires sont plus agressifs que d'autres. Faites d'abord un essai sur une petite surface.
2. Passez toujours les produits lustrant pour le métal dans le sens des lignes de polissage pour obtenir une efficacité maximum et éviter de rayer la surface.
3. N'utilisez que des chiffons, éponges, serviettes en papier, brosses doux et propres; des tampons à récurer savonneux en plastique, non-métalliques, pour nettoyer et gratter, comme recommandé dans le tableau.
4. Toutes les pièces de cet appareil peuvent être nettoyées avec de l'eau chaude savonneuse. S'il est nécessaire de rincer, rincez soigneusement.
5. Essuyez toujours immédiatement pour éviter les traces d'eau.

⚠ MISE EN GARDE
Attendez que les parties chaudes de la cuisinière refroidissent pour les nettoyer.

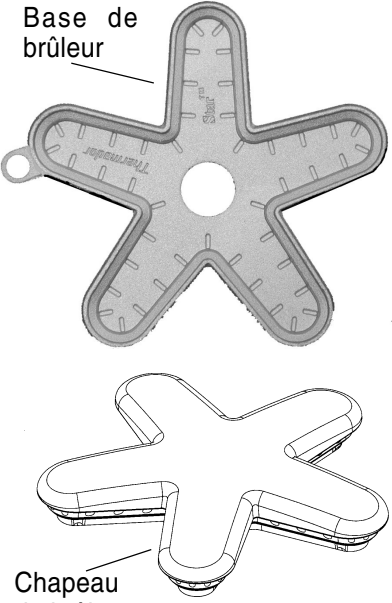
MARQUES DE PRODUITS

Les marques de produits utilisées ici sont destinées à indiquer un type de produit d'entretien et ne constituent pas une obligation. L'omission d'une marque ne signifie pas qu'elle convient ni qu'elle ne convient pas. De nombreux produits sont distribués à grande échelle et il est possible de les trouver localement.

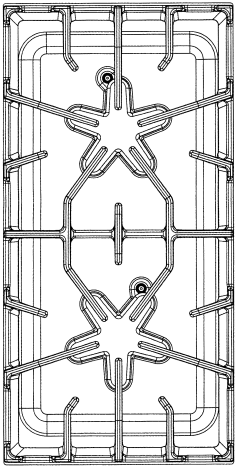
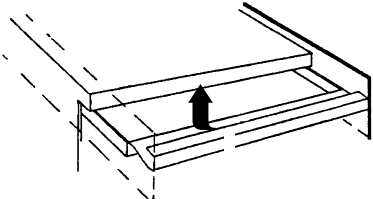
Les produits doivent être utilisés conformément à leur mode d'emploi.

Le tableau suivant fournit des indications concernant le nettoyage de la cuisinière.

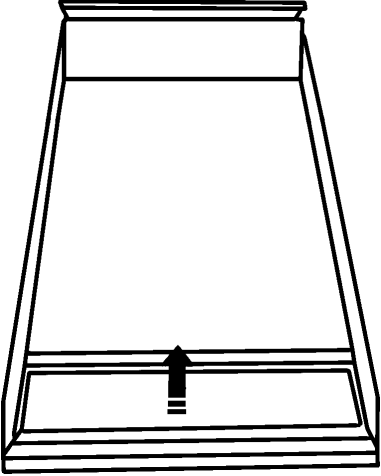
CONSEILS DE NETTOYAGE DE LA CUISINIÈRE

Pièce/matériau	Produits d'entretien suggérés	Rappels importants
<p>Base de brûleur en cuivre et chapeau en fonte</p>  <p>Éléments des brûleurs Star®</p>	<ul style="list-style-type: none"> • Eau chaude savonneuse ; rincer puis sécher soigneusement • Produits abrasifs doux : Bon Ami®, produit d'entretien pour acier inoxydable et aluminium Cameo®, produit lustrant pour cuivre tous usages Wright's®. • Produits d'entretien liquides : Kleen King® • Brosse à dents à poils nylon durs pour nettoyer les orifices. • Remonter comme sur la figure. Veiller à remettre correctement le chapeau du brûleur sur sa base. 	<ul style="list-style-type: none"> • Ne pas gratter et ne pas creuser les orifices des chapeaux de brûleurs.
<p>Boutons de commande / Plastique Cadrans/Chrome</p>	<ul style="list-style-type: none"> • Eau chaude savonneuse ; rincer et sécher immédiatement 	<ul style="list-style-type: none"> • Ne pas tremper les boutons dans l'eau • Ne pas forcer de bouton sur un axe qui n'est pas le sien.

Conseils de nettoyage de la cuisinière

Pièce/matériau	Produits d'entretien suggérés	Rappels importants
<p>Finition externe/Plaque de protection: Acier inoxydable</p>	<ul style="list-style-type: none"> • Produits d'entretien non abrasifs : eau chaude et produit détergent, ammoniac, Fantastic®, Formula 409®. Rincer et sécher immédiatement. • Produits lustrant d'entretien : Stainless Steel Magic® pour protéger le revêtement contre les piqûres et les taches ; améliore l'aspect. • Taches de calcaire : vinaigre. • Produits d'entretien abrasifs doux : produits pour aluminium et acier inoxydable Siege, produit liquide Kleen King® pour l'acier inoxydable. • Décolorations dues à la chaleur : Cameo®, Barkeepers Friend®, Zud®, produit lustrant pour cuivre tout usage Wright's®. 	<ul style="list-style-type: none"> • L'acier inoxydable résiste à la plupart des taches d'aliments et aux piqûres si la surface est maintenue propre et protégée. • Ne jamais laisser les projections d'aliments ou de sel sur l'acier inoxydable. • Frotter légèrement dans le sens des lignes de polissage. • Le chlore et les composés au chlore présents dans certains produits corrodent l'acier inoxydable. Vérifier la composition du produit sur l'étiquette.
<p>Grilles : Porcelaine émaillée sur fonte</p> 	<ul style="list-style-type: none"> • Produits d'entretien non abrasifs : eau chaude et produit détergent, Fantastic®, Formula 409®. Rincer et sécher immédiatement. • Produits d'entretien abrasifs doux : Bon Ami® et Soft Scrub®. • Produits d'entretien abrasifs pour taches récalcitrantes ; tampons métalliques à récurer. • Lestoil® ou autre produit dégraissant. 	<ul style="list-style-type: none"> • Les grilles sont lourdes ; faire attention en les enlevant. Les placer sur une surface protégée. • La formation de cloques, craquellements et éclats est fréquente due aux températures extrêmes que peuvent atteindre les doigts des grilles et aux brusques changements de températures. • Les renversements acides et sucrés détériorent l'émail. Retirer immédiatement les saletés. • Les produits d'entretien abrasifs utilisés trop vigoureusement ou trop souvent peuvent rayer l'émail.
<p>Bac à graisse de la plaque de cuisson ou gril : Aluminium revêtu de titane</p>  <p>Glisser vers l'arrière puis soulever</p>	<ul style="list-style-type: none"> • Nettoyer le bac à graisse après chaque usage. • Peut être nettoyé au lave-vaisselle. • Le laver dans de l'eau chaude avec du détergent ; rincer puis sécher. • Résidus récalcitrants : Soft Scrub® 	<ul style="list-style-type: none"> • Vider le bac à graisse après chaque usage. • Retirer le bac une fois lorsque la graisse a refroidi. Faire attention de ne pas renverser la graisse s'il est très plein.

Conseils de nettoyage de la cuisinière

Pièce/matériau	Produits d'entretien suggérés	Rappels importants
<p data-bbox="164 304 537 367">Plaque de cuisson ou gril / Revêtements en titane</p> 	<ul data-bbox="592 304 1015 766" style="list-style-type: none"> • Retirer le bac à graisse et jetez-en le contenu dans un conteneur prévu à cet effet. Laver le bac dans de l'eau tiède savonneuse ou le mettre au lave-vaisselle. Laver la surface de la plaque de cuisson ou gril à l'eau tiède savonneuse puis le rincer à l'eau tiède. Essuyer avec un chiffon doux. • Si des résidus d'aliments collent à la plaque ou gril, les retirer avec un produit d'entretien abrasif doux comme le Soft Scrub®. 	<ul data-bbox="1063 294 1453 504" style="list-style-type: none"> • Ne jamais rincer la plaque ou gril chaude à l'eau froide. La plaque d'aluminium pourrait se déformer ou se fissurer. • Ne pas nettoyer la plaque de cuisson ou gril dans le four autonettoyant.

Conseils de nettoyage de la cuisinière

Pièce/matériau	Produits d'entretien suggérés	Rappels importants
<p>Allumeurs/Céramique</p>	<ul style="list-style-type: none"> Utiliser un tampon de coton mouillé à l'eau, au Formula 409® ou au Fantastic®. 	<ul style="list-style-type: none"> Ne pas utiliser d'outils coupants pour gratter l'allumeur. Il est fragile ; s'il est endommagé, le gril ne s'allumera pas.
<p>Surface des bacs à graisse/Acier inoxydable</p>	<ul style="list-style-type: none"> Utiliser de l'eau chaude savonneuse ; rincer et sécher soigneusement. Formula 409® ou Fantastic®. Vaporiser et essuyer immédiatement ou appliquer d'abord sur une serviette en papier puis essuyer. Produits abrasifs doux : Cameo®, Zud®, Barkeepers Friend®, Produits d'entretien liquides : Kleen King®, produit d'entretien pour aluminium et acier inoxydable Siege. Appliquer avec précaution. Produit lustrant pour cuivre tout usage Wright's® 	<ul style="list-style-type: none"> Les projections acides et sucrées détériorent l'acier inoxydable. Les retirer immédiatement. Les produits d'entretien abrasifs utilisés trop vigoureusement ou trop souvent peuvent rayer l'acier inoxydable.
<p>Éléments de lèchefrites (placés entre les lèchefrites en acier inoxydable, qu'ils unissent)</p>	<ul style="list-style-type: none"> Eau chaude savonneuse ; rincer et sécher soigneusement. Formula 409® ou Fantastic®. Pulvériser et essuyer immédiatement ou appliquer d'abord sur une serviette en papier puis essuyer. 	<ul style="list-style-type: none"> La pulvérisation de trop de produits d'entretien liquides peut laisser des barioles. Si vous laissez sécher, ces barioles risquent de rester de façon permanente.

Conseils de nettoyage de la cuisinière

Pièce/Matériau	Produits d'entretien/Indications
<p>FOUR</p> <p>Grille de la lèchefrite Porcelaine émaillée Aluminium (four 30,5 cm [12"])</p>	<p>NE PAS NETTOYER DANS LE FOUR AUTONETTOYANT Pour détacher les résidus d'aliments, saupoudrer la grille vide quand elle est encore chaude d'un produit d'entretien en poudre pour la lessive ou asperger d'un produit liquide puis couvrir avec des serviettes en papier mouillées. Laisser reposer.</p> <p>Eau chaude savonneuse.</p> <ul style="list-style-type: none"> Laver, rincer soigneusement puis sécher. <p>Produits d'entretien : Soft Scrub®</p> <ul style="list-style-type: none"> Appliquer à l'aide d'une éponge ou d'un chiffon humide selon les indications du fabricant. Rincer et sécher. <p>Produit d'entretien en poudre : Bon-ami®, Comet®, Ajax®</p> <ul style="list-style-type: none"> Appliquer à l'aide d'une éponge ou d'un chiffon humide selon les indications du fabricant. Frotter légèrement en prenant garde de ne pas rayer la surface. Rincer soigneusement et sécher. <p>Tampons métalliques à récurer ou savonneux : S.O.S.®, Brillo®</p> <ul style="list-style-type: none"> Mouiller le tampon, frotter légèrement en prenant garde à ne pas rayer la surface. Rincer soigneusement et sécher.
<p>Cavité Porcelaine émaillée sur acier</p>	<p>La porcelaine émaillée est résistante mais pas à l'épreuve des acides. Les aliments acides tels que jus d'agrumes, tomates, rhubarbe, alcool ou lait doivent être essuyés et ne pas recuire sur la porcelaine au cours de l'usage suivant. Au bout d'un certain temps, la porcelaine risque de se fissurer (petites lignes fines comme des cheveux).</p>
<p>Grand four</p>	<p>Voir les instructions de nettoyage automatique aux pages 79 et 80.</p> <p>REMARQUE : Les fortes températures utilisées pour le nettoyage automatique du four peuvent entraîner l'apparition de traits fins ou d'aspérités à la surface. C'est un phénomène courant qui ne nuit en aucune manière aux performances de cuisson et de nettoyage.</p>
<p>Four 30,5 cm (12")</p>	<p>Eau chaude savonneuse.</p> <ul style="list-style-type: none"> Laver, rincer soigneusement, sécher. <p>Produits d'entretien doux : Bon-ami®, ammoniac ou ammoniac et eau, Soft Scrub®</p> <ul style="list-style-type: none"> Appliquer sur une éponge ou un chiffon humide. Frotter légèrement. Rincer soigneusement. Sécher. Si des aliments ont brûlé dans le four et sont difficiles à retirer, les détrempier à l'aide d'un chiffon saturé d'ammoniac ménager. Fermer la porte et laisser agir pendant une heure ou deux ou jusqu'à ce qu'il soit possible d'enlever ces résidus à l'aide d'un chiffon humide savonneux ou d'un produit d'entretien doux. Vous pouvez aussi préparer une solution d'environ 3 cuillères à soupe d'ammoniac ménager dissout dans une demi-tasse d'eau, que l'on laisse dans le four tiède toute la nuit. Les résidus et les débordements durcis seront ainsi détrempés et plus faciles à ôter. De l'ammoniac peut être mélangé à de l'eau chaude pour bien laver le four.

Conseils de nettoyage de la cuisinière

Pièce/Matériau	Produits d'entretien/Indications
Cadre frontal Acier inoxydable	Reportez-vous à la section sur la Table de cuisson à propos de la plaque de protection à la page 77.
Grilles de four Plaqué nickel	<p>Il est possible de nettoyer les grilles dans le four pendant le cycle de nettoyage, mais elles perdront leur brillance et prendront un aspect gris métallique étamé.</p> <p>Eau chaude savonneuse.</p> <ul style="list-style-type: none"> Laver, rincer soigneusement et sécher. <p>Produits d'entretien : Soft Scrub®</p> <ul style="list-style-type: none"> Appliquer avec une éponge ou un chiffon humide selon les indications du fabricant. Frotter légèrement. Rincer soigneusement et sécher. <p>Tampons métalliques à récurer ou savonneux : S.O.S.®, Brillo®</p> <ul style="list-style-type: none"> Mouiller le tampon, rincer soigneusement et sécher. <p>Produits d'entretien agressifs : Easy Off® pour fours</p> <p>REMARQUE: Certains produits d'entretien pour fours sur le marché provoquent un noircissement et une décoloration. Faire un essai du produit sur une petite partie de la grille et s'assurer qu'il n'y a pas de décoloration avant de nettoyer la totalité de la grille.</p> <ul style="list-style-type: none"> Appliquer une couche généreuse. Laisser reposer pendant 10 à 15 minutes. Rincer soigneusement et sécher. Si après le nettoyage, les grilles glissent mal, imbiber une serviette en papier d'un peu d'huile de cuisine et la frotter légèrement sur les glissières latérales.
PORTE Extérieur, cadre, poignée, déflecteur de chaleur Acier inoxydable	<p>Prendre garde de ne pas laisser les produits d'entretien et l'eau entrer dans les orifices de la porte : l'eau pourrait causer de petites stries dans le verre à l'intérieur.</p> <p>Reportez-vous à la section sur la Table de cuisson à propos de la Plaque de protection et de l'acier inoxydable à la page 77.</p>
Cavité Porcelaine émaillée	Reportez-vous à la section sur la Cavité du four à la page 80.
Joint étanche Joint de porte	<p>Produits d'entretien génériques pour cuisines : Formula 409®, Fantastik®.</p> <ul style="list-style-type: none"> Vaporisez et essuyez le produit avec un chiffon. Ne pas frotter. Ne pas déplacer, ne pas enlever et ne pas endommager le tissu à mailles.

Maintenance à faire par vous-même

CHANGEMENT DE L'AMPOULE D'ÉCLAIRAGE DU FOUR

Remplacez l'ampoule exclusivement par une ampoule de cuisinière halogène de 10 watts. N'UTILISEZ PAS une ampoule standard à usage domestique dans le four.

POUR REMPLACER L'AMPOULE D'ÉCLAIRAGE :

1. Éteignez l'interrupteur d'éclairage du four. Laissez l'ampoule et son couvercle refroidir complètement.
2. Retirez le couvercle de l'ampoule.
3. Retirez l'ampoule grillée. Remplacez-la par une ampoule de cuisinière halogène de 10 watts. Ne touchez pas l'ampoule avec des doigts. Respectez les instructions du fabricant d'ampoules.
4. Remplacez le couvercle. Reconnectez à l'alimentation si besoin est. Reportez-vous aux consignes Mise en garde.



MISE EN GARDE

Avant d'insérer l'ampoule, assurez-vous que l'interrupteur d'éclairage du four est sur la position éteinte. Laissez l'ampoule et le couvercle refroidir complètement avant d'y toucher. Si le verre de l'ampoule n'est pas bien fixé sur sa base, coupez l'alimentation du four au niveau du disjoncteur avant d'ôter la base de l'ampoule de la douille.

PANNE DE COURANT

En cas de panne de courant, seuls les brûleurs standard peuvent être allumés manuellement. Il est nécessaire d'allumer chaque brûleur standard individuellement.

Si vous voulez utiliser la table de cuisson de la cuisinière pendant une panne de courant, tournez tous les boutons de commande des brûleurs sur la position **OFF** (Éteint). Approchez une allumette des orifices du brûleur standard et tournez le bouton de commande sur la position **HI** (fort). Attendez que la flamme brûle

tout autour du chapeau du brûleur avant de la régler à la hauteur voulue.

Les deux brûleurs ExtraLow® à l'extrémité gauche de la cuisinière ne peuvent pas être utilisés pendant une panne de courant. Veillez à les **ÉTEINDRE** en cas de panne de courant car ils ne rallumeront pas tant que les boutons de commande n'auront pas été placés sur **OFF** (Éteint) puis rallumés. Reportez-vous à la section Si vous sentez une odeur de gaz, à l'intérieur de la page couverture.

Si la pression de votre arrivée de gaz est faible, consultez votre compagnie de gaz.

PRODUCTION INTERMITTENTE OU CONSTANTE D'ÉTINCELLES PAR L'ALLUMEUR

La production intermittente ou constante d'étincelles au niveau des brûleurs hermétiquement encastrés de la table de cuisson peut être due à des facteurs qu'il est possible d'éviter. Éliminez ces facteurs comme indiqué dans le tableau.

SYMPTÔME

Production intermittente d'étincelles

Plus de quatre déclics de l'allumeur avant d'allumer la flamme

Production constante d'étincelles

CAUSE

- L'allumeur en céramique est mouillé ou sale.
- Les orifices du brûleur sont bouchés.
- Le chapeau du brûleur est mal posé sur sa base.
- La cuisinière a une mauvaise mise à la terre.
- L'alimentation électrique est mal polarisée.

SOLUTION

- Séchez ou nettoyez soigneusement l'allumeur.
- Nettoyez les orifices de répartition de la flamme à l'aide d'un fil métallique, d'une aiguille ou d'un trombone déplié.
- Alignez bien le chapeau du brûleur sur la base du brûleur.
- Reportez-vous aux Instructions d'installation. Appelez un électricien qualifié pour qu'il installe une bonne mise à la terre pour la cuisinière.

Avant d'appeler le service technique

Avant d'appeler le service technique, vérifiez les points suivants afin d'éviter des frais inutiles.

Vérifiez d'abord les points suivants :

Y a-t-il une panne de courant dans le voisinage ?

Les fusibles ont-ils sauté ou le disjoncteur s'est-il déclenché ?

La cuisinière est-elle débranchée ?

SI LES BRÛLEURS NE S'ALLUMENT PAS

- Les chapeaux des brûleurs sont-ils correctement alignés et posés sur la base des brûleurs ?
- Les orifices des brûleurs sont-ils bouchés ?
- Un fusible a-t-il sauté ou le disjoncteur s'est-il déclenché ?
- Le robinet manuel de coupure des gaz est-il fermé, empêchant l'arrivée de gaz ?

FICHE SIGNALÉTIQUE

La fiche signalétique indique le modèle et le numéro de série de votre cuisinière. Elle est placée derrière la plaque d'habillage dans le bas de la cuisinière. Pour accéder à cette fiche, retirez les deux vis de fixation de la plaque d'habillage et retirez cette dernière avec précaution.

La fiche signalétique est placée sur tous les modèles sur le plateau d'éléments se trouvant derrière la plaque d'habillage.

Les schémas de câblage électrique et les dessins placés dans la zone de la plaque d'habillage ne doivent pas être ôtés.

INFORMATION POUR LE SERVICE TECHNIQUE

Afin de conserver ces données à portée de main, recopiez ici les renseignements figurant sur la fiche signalétique. Conservez votre facture pour faire valider votre garantie.

Numéro du modèle

Numéro de série

Date d'achat

Nom du détaillant

Numéro de téléphone du détaillant

Nom du centre de service

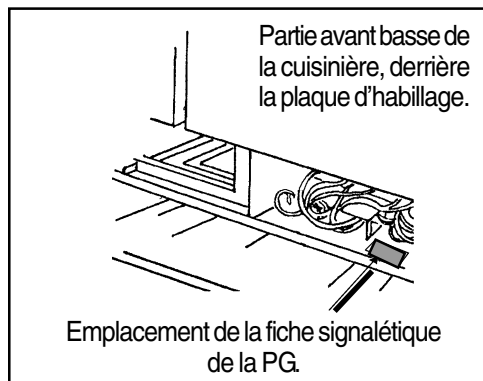
Numéro de téléphone du centre de service

Complétez également la carte d'enregistrement du produit inclus dans ce produit et postez-la à l'adresse indiquée.



MISE EN GARDE

Avant d'ôter la plaque d'habillage, débranchez la cuisinière de l'alimentation électrique. Réinstallez la plaque d'habillage avant de rebrancher la cuisinière à l'alimentation électrique et de l'utiliser.



ÉNONCÉ DE GARANTIE LIMITÉE

Couverture et application de la garantie

La garantie limitée fournie par BSH Home Appliances, Thermador, dans cet énoncé de garantie limitée s'applique seulement aux appareils Thermador vendus au client, le premier acheteur utilisateur, en autant que le produit ait été acheté :

- pour une utilisation domestique (non commerciale) normale et que dans les faits, a été utilisé seulement à des fins domestiques normales ;
- neuf au détail (non comme modèle en montre, « tel quel » ou modèle retourné) et non pour la revente ou utilisation commerciale ;
- aux États-Unis ou au Canada et est, en tout temps, demeuré dans le pays de l'achat d'origine.

Les garanties indiquées ci-dessous s'appliquent seulement au premier acheteur du produit et ne sont pas transférables.

S'assurer de retourner la carte d'enregistrement ; quoique non nécessaire pour la couverture de la garantie, cela est la meilleure façon pour Thermador d'aviser le client en cas d'avis concernant la sécurité ou pour rappel de produit.

Durée de la garantie

Thermador garantit que le produit ne présente aucun défaut de matériaux et de fabrication pendant une période de douze (12) mois à compter de la date d'achat. La durée commence à compter de la date d'achat et ne sera pas retardée, restreinte, prolongée ni suspendue pour quelle que raison que ce soit.

Réparation/remplacement comme solution exclusive

Pendant cette période de garantie, Thermador ou un de ces centres de service autorisés réparera le produit sans frais au client (sujet à certaines limitations énoncées ci-après) si le produit présente un défaut de matériaux ou de fabrication. Si des tentatives raisonnables de réparer le produit sont vaines, alors Thermador remplacera le produit (des modèles mis à niveau peuvent être disponibles au client, à la seule discrétion de Thermador, pour des frais additionnels). Tout composant et pièce enlevé devient la propriété de Thermador, à sa seule option. Toute pièce remplacée et/ou réparée doit assumer l'identité de la pièce d'origine à des fins de cette garantie et cette garantie ne sera pas prolongée en regard à ces pièces. La seule responsabilité de Thermador est de réparer seulement le produit présentant un défaut de fabrication, par un centre de service autorisé Thermador aux heures d'affaires normales. Pour des questions de sécurité et des soucis de dommages à la propriété, Thermador recommande fortement de ne pas tenter de réparer soi-même le produit, ni utiliser les services d'un centre de service non autorisé ; Thermador ne sera aucunement tenu responsable pour les réparations effectuées par un centre de service non autorisé. Si le client décide qu'une personne autre qu'un centre de service autorisé effectue la réparation du produit, CETTE GARANTIE DEVIENT AUTOMATIQUEMENT NULLE ET NON AVENUE. Les centres de service autorisés sont des personnes ou des compagnies qui ont été spécialement formées pour les produits Thermador et qui possèdent, à la discrétion de Thermador, une meilleure réputation pour le service à la clientèle et une habileté technique (il est à noter qu'ils sont des parties indépendantes et ne sont pas des agents, partenaires, affiliés ou représentants de Thermador. Nonobstant ce qui suit, Thermador n'aura aucune responsabilité ou ne sera tenu responsable d'un produit s'il est situé dans une région éloignée (plus de 100 milles d'un centre de service autorisé) ou s'il est raisonnablement inaccessible, dans un endroit, environnement ou zone dangereux, menaçant ou hasardeux ; dans un tel cas, à la demande du client, Thermador pourrait payer pour la main-d'oeuvre et les pièces et expédier les pièces à un centre de service autorisé environnant, mais le client serait entièrement responsable pour tout déplacement ou autres frais spéciaux requis par le centre de service si ce dernier convient d'effectuer un appel de service.

Produit hors garantie

Thermador n'est pas tenu, par loi ou autre, d'offrir au client toute concession, incluant réparations, prorata ou remplacement de produit une fois la garantie expirée.

Exclusions de la garantie

La couverture de garantie décrite dans la présente exclut tout défaut ou dommage qui n'est pas directement une faute de Thermador, incluant sans limitation, un ou plusieurs de ce qui suit :

- Utilisation du produit d'une façon autre que normale, habituelle et pour l'usage auquel il est destiné (incluant sans limitation, toute forme d'utilisation commerciale, utilisation ou rangement d'un produit pour l'intérieur à l'extérieur, utilisation du produit avec des avions ou bateaux quels qu'ils soient)
- Mauvaise conduite de toute partie, négligence, mauvaise utilisation, abus, accidents, fonctionnement inadéquat, manquement à l'entretien, installation inadéquate ou négligée, manipulation, manquement à observer les instructions, manipulation sans précaution, service non autorisé (incluant « réparation » soi-même ou exploration du fonctionnement interne de l'appareil)
- Réglage, altération ou modification de toute sorte
- Manquement à se conformer à tous les codes électriques, de plomberie et/ou de construction de la province/état, locaux, municipaux ou autres, règlements ou lois, incluant le manquement à installer le produit conformément aux codes et règlement d'incendie et de construction
- Bris et usure ordinaires, déversements d'aliments, liquides, accumulation de graisse, ou autres substances accumulées sur, dans ou autour du produit
- Tout facteur ou force environnemental, élémentaire et/ou externe, incluant sans limitation, pluie, vent, sable, inondation, incendie, glissement de terrain, gel, humidité excessive ou exposition prolongée à l'humidité, foudre, surtension, bris de structure environnante de l'appareil, et actes de Dieu.

En aucun cas, Thermador ne sera tenu responsable des dommages survenus à la propriété environnante, incluant armoires, planchers, plafonds et autres structures ou objets autour du produit. Également exclus de la garantie sont les égratignures, éraflures, encoches mineures et dommages esthétiques sur les surfaces externes et les pièces exposées ; les produits dont les numéros de série ont été modifiés, effacés ou enlevés ; visites de service pour montrer au client comment utiliser le produit ou les visites lorsque le produit ne présente aucun problème, correction de problèmes d'installation (le client est responsable de toute structure et réglage du produit, incluant électricité, plomberie ou autres services utilitaires, pour un plancher/fondation approprié et pour toute modification incluant sans limitation armoires, murs, planchers, tablettes, etc.) ; et remise en fonction des coupe-circuits ou fusible.

SELON CE QUI EST PERMIS PAR LA LOI, CETTE GARANTIE ÉTABLIT DES SOLUTIONS EXCLUSIVES EN REGARD DU PRODUIT, PAR RÉCLAMATION PAR CONTRAT OUTORT (INCLUANT RESPONSABILITÉ STRICTE OU NÉGLIGENCE) OU AUTREMENT. CETTE GARANTIE EST EN LIEU DE TOUTE AUTRE GARANTIE, EXPRESSE OU IMPLICITE. TOUTE GARANTIE IMPLICITE PAR LOI, SOIT POUR COMMERCIALISATION OU À DES FINS PARTICULIÈRES, OU AUTRE, SERA EN VIGUEUR SEULEMENT POUR LA PÉRIODE PENDANT LAQUELLE CETTE GARANTIE LIMITÉE EXPRESSE EST EN VIGUEUR. EN AUCUN CAS, LE FABRICANT NE SERA TENU RESPONSABLE DES DOMMAGES ACCESSOIRES, SPÉCIAUX, INTÉRÊTS, INDIRECTS, « PERTE D'AFFAIRES » ET/OU PUNITIFS, PERTES OU DÉPENSES, INCLUANT SANS LIMITATION, CONGÉ DE TRAVAIL, REPAS À L'HÔTEL ET/OU AU RESTAURANT, DÉPENSES POUR RÉNOVATIONS EN EXCÈS DES DOMMAGES DIRECTS QUI SONT DÉFINITIVEMENT CAUSÉS, EXCLUSIVEMENT, PAR THERMADOR OU AUTREMENT. CERTAINS ÉTATS NE PERMETTENT PAS LA LIMITATION DE LA DURÉE D'UNE GARANTIE IMPLICITE, PAR CONSÉQUENT, LES LIMITATIONS SUSMENTIONNÉES PEUVENT NE PAS S'APPLIQUER. CETTE GARANTIE DONNE DES DROITS LÉGAUX SPÉCIFIQUES ET LE CLIENT PEUT EN AVOIR D'AUTRES QUI VARIENT D'UN ÉTAT/ PROVINCE À L'AUTRE.

Aucune tentative d'altérer, modifier ou amender cette garantie ne sera effective sans une autorisation écrite par un responsable de BSH.

Thermador[®] | *An American Icon*[™]

5551 McFadden Avenue, Huntington Beach, CA 92649 • 800-735-4328 • www.thermador.com
9000236138 • 5U02ZY • Rev B • 12/09 © BSH Home Appliances Corporation, 2007 • All rights reserved
Litho in U.S.A.