



**Speed Queen®**  
*Laundry — it's all we do.*

## Front Load Washers

AFN50F Front Control  
AFN50R Rear Control



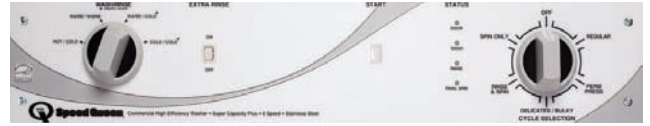
[www.speedqueen.com](http://www.speedqueen.com)

# Front Load Washer Specifications

Model	AFN50F	AFN50R
<b>Appearance</b>		
Color: White	✓	✓
2.84 cu.ft. Stainless Steel Washtub	✓	✓
3 Stainless Steel Baffles	✓	✓
Stainless Steel Outer Drantub	✓	✓
15 1/2" Door Opening	✓	✓
10" Stainless Steel Hinge	✓	✓
Galvanized Steel Cabinet	✓	✓
Front Controls	✓	
Rear Controls		✓
<b>Technical Information</b>		
Tub Volume - cu. ft.	2.84	2.84
Overall Dimensions - H x W x D	41 3/8" x 26 7/8" x 28"	43" x 26 7/8" x 28"
Work Surface Height - in	41 3/8"	36"
Approximate Shipping Weight - lb	260	250
Electrical Requirements	120V/60 HzAC	120V/60 HzAC
Breaker Size	15 Amp	15 Amp
Motor HP	1	1
Spin Speeds - RPM	500, 650, 1000	500, 650, 1000
<b>Performance/Features</b>		
Fill Hoses Included	✓	✓
ADA Compliant	✓	✓
300 G-Force High Speed Water Extraction	✓	✓
Variable Speed Induction Motor	✓	✓
5,499 Cylinder Holes	✓	✓
Tuff Guard Coated Top	✓	✓
Extra Rinse Option	✓	✓
Cycle Indicator Light	✓	✓
Three Compartment Solution Dispenser	✓	✓
<b>Wash Cycles</b>		
Cycles	8	8
Average Water Consumption - Gallons	13.9	13.9
Agency Approvals	cULus	cULus

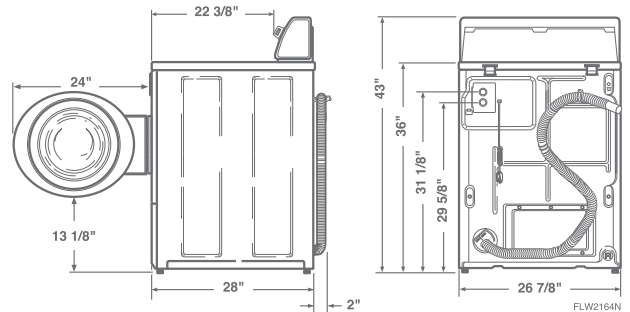
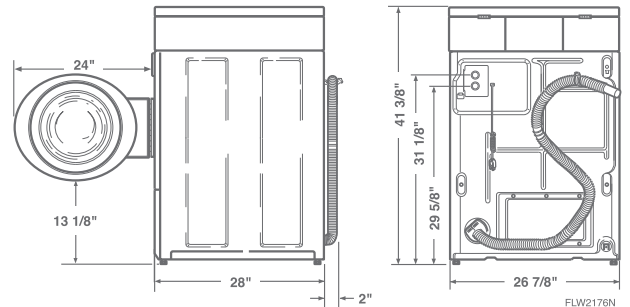
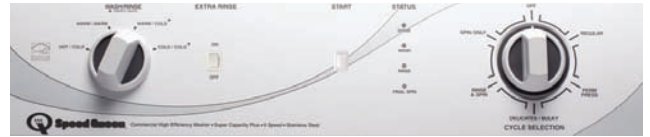
## AFN50F (Shown on front)

8 Cycles, ADA Compliant, ENERGY STAR® Qualified, Front Control



## AFN50R

8 Cycles, ADA Compliant, ENERGY STAR® Qualified, Rear Control



## AFN50R — Rear Control Model



For the most accurate information, the installation guide should be used for all design and construction purposes. Due to continuous product improvements, design and specifications are subject to change without notice. The quality management systems of Alliance Laundry Systems' Ripon facility has been registered to ISO 9001:2000.

Printed in the USA.

©Copyright 2010 Alliance Laundry Systems LLC

## Speed Queen Warranty

Speed Queen brings to you the industry's best warranty on all of our washers and dryers.

**3 years** on parts and labor.

**5 years** on the motor.\*

**5 years** on the cabinet.\*

**5 years** on bearings and seal assembly.\*

**Lifetime** on all stainless steel wash baskets and outer tubs.\*

\* Limited. See Speed Queen warranty bond for details.