



# Freestanding Ranges

FFEF3010L W/B

30" Electric



## Product Dimensions

Height (Max.)	47-1/2"
Width	29-7/8"
Depth (Including Handle)	28-1/2"

## More Easy-To-Use Features

Timed Cook Option

Manual Clean Oven

Chrome Drip Bowls

A.D.A. Compliant<sup>1</sup>

Available in:



White  
(W)



Black  
(B)

Elements	Size	Watts
Right Front	6"	1,500
Right Rear	8"	2,600
Left Front	8"	2,600
Left Rear	6"	1,500

<sup>1</sup>When properly installed, meets the appliance standards in the Americans with Disabilities Act and the Architectural Barriers Act Accessibility Guidelines as published by the United States Access Board on June 23, 2004, as amended August 5, 2005.

## Signature Features

### Store-More™ Storage Drawer

Our convenient drawer gives you extra storage space in your kitchen.

### Hi/Lo Broil Option

Offers two-position broiling and variable temperature control for more control.

### Color-Coordinated Oven Door with Large Window

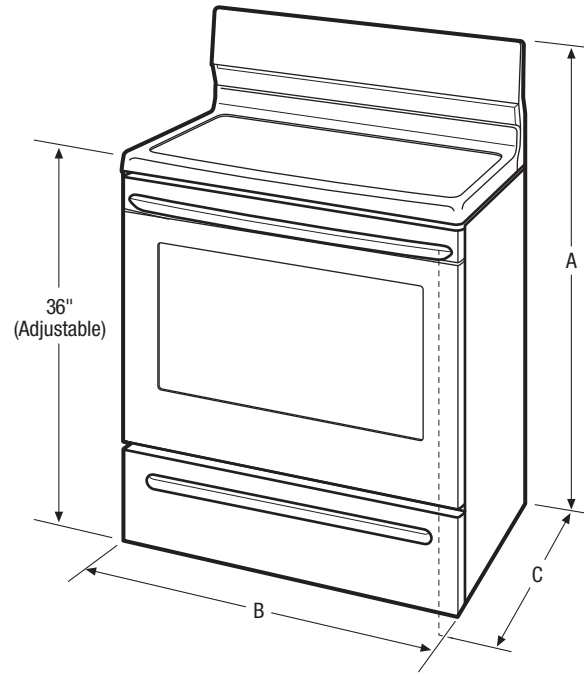
Stylish look with a large window makes it easy to check on what's cooking without opening the door.

### Bright Lighting

Our bright lighting makes it easy to see what's inside.

Features	
Oven Control/Timing System	Ready-Select® Controls
Surface Type	Color-Coordinated Porcelain
Window	Large
Exterior Door Finish	Color-Coordinated
Handle Design	Color-Coordinated
Exterior Finish (Side Panels)	Color-Coordinated
Convection System	
Oven Cleaning System	Manual Clean
Drawer Functionality	Storage
Oven Controls	
Bake	Yes
Broil	Low and High
Add-a-Minute	
Delay Bake	
Self-Clean	
Quick Clean Option	
Delay Clean	
Kitchen Timer	Yes
Timed Cook Option	Yes
Auto Oven Shutoff	
Cooktop Features	
Right Front Element (Watts)	6" - 1,500
Right Rear Element (Watts)	8" - 2,600
Left Front Element (Watts)	8" - 2,600
Left Rear Element (Watts)	6" - 1,500
Center Element (Watts)	
Hot Surface Indicator Light	
Coil Cooktop/Drip Bowls	Yes/Chrome
Oven Features	
Capacity (Cu. Ft.)	4.2
Oven Light	1
Hidden Bake Element	
Rack Configuration	2 Standard
Even Baking System	
Broiling System	Vari-Broil™ Hi/Lo
Bake Element/Broil Element (Watts)	2,600/3,000
Certifications	
A.D.A. Compliant <sup>1</sup>	Yes
Specifications	
Oven Interior (H x W x D)	21" x 24-3/8" x 19-1/8"
Power Supply Connection Location	Middle Bottom Rear
Voltage Rating	240V / 208V / 60Hz
Connected Load (kW Rating) @ 240/208 Volts	10.0 / 7.5
Minimum Circuit Required (Amps)	40
Shipping Weight (Approx.)	140 Lbs.

<sup>1</sup>When properly installed, meets the appliance standards in the Americans with Disabilities Act and the Architectural Barriers Act Accessibility Guidelines as published by the United States Access Board on June 23, 2004, as amended August 5, 2005.



NOTE: For planning purposes only. Always consult local and national electric codes. Refer to Product Installation Guide for detailed installation instructions on the web at [frigidaire.com](http://frigidaire.com).



Product Dimensions	
A - Height (Max.)	47-1/2"
B - Width	29-7/8"
C - Depth (Including Handle)	28-1/2"
Depth with Door Open 90°	48-3/8"

Cutout Dimensions	
Height (Standard)	36"
Width (Min.)	30"
Depth (Min.)	24"

Accessories information available on the web at [frigidaire.com](http://frigidaire.com)

Use these dimensions and clearance instructions for planning purposes only. For detailed installation instructions, refer to installation guide, packed with product, or on the web at frigidaire.com.



When installing appliances adjacent to each other, 20" minimum distance between each appliance required.

When installing built-in cooking appliances in combination, 2" minimum visible gap between appliance faceplates required.



When installing side-by-side refrigerator adjacent to wall, cabinet or another appliance that extends beyond front edge of unit, 20" minimum clearance recommended to allow for optimum 120° to 180° door swing, providing complete drawer/crisper access and removal.

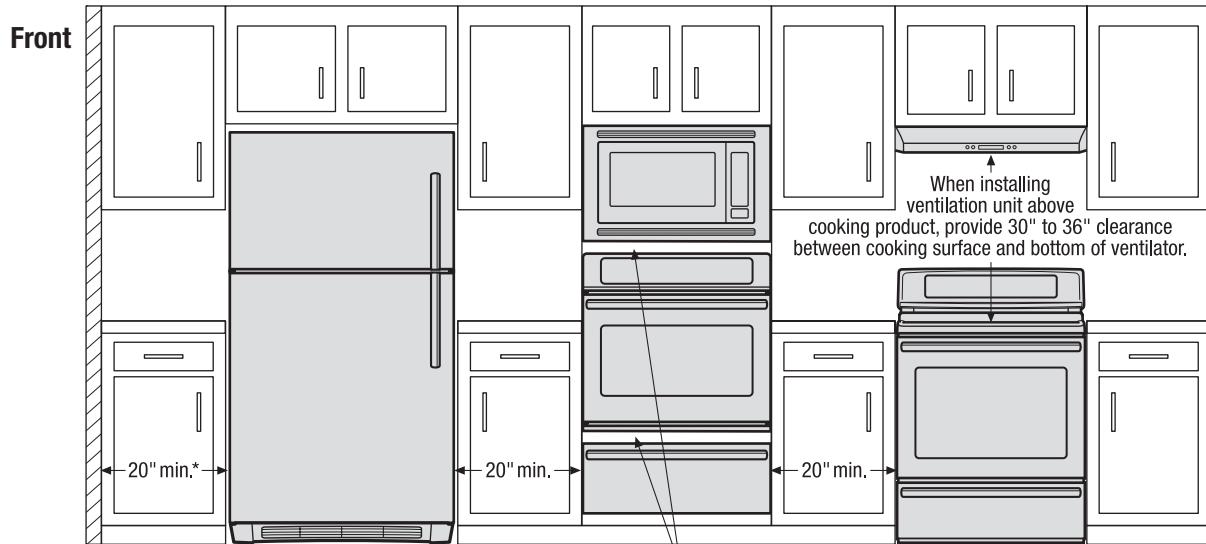
When installing appliance with sliding drawer, swinging or drop-down door directly across from obstructions, provide sufficient clearance for drawer extension or door swings.



When installing appliance with sliding drawer or drop-down door directly across from obstructions, provide sufficient clearance for drawer extension or door swing.

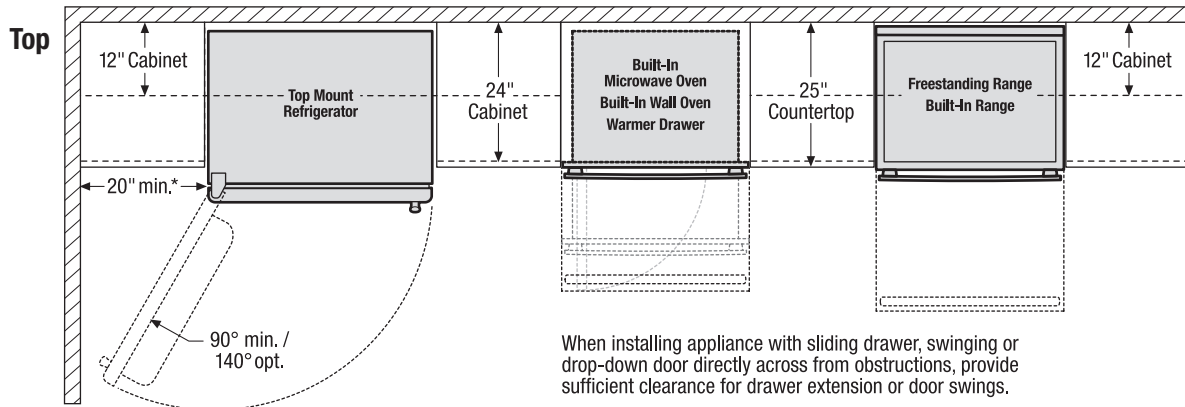
When installing appliance with sliding drawer or drop-down door adjacent to wall, cabinet, or other obstruction that extends beyond front edge of appliance, allow 2" minimum clearance between drawer or door and obstruction.

Use these dimensions and clearance instructions for planning purposes only. For detailed installation instructions, refer to installation guide, packed with product, or on the web at frigidaire.com.



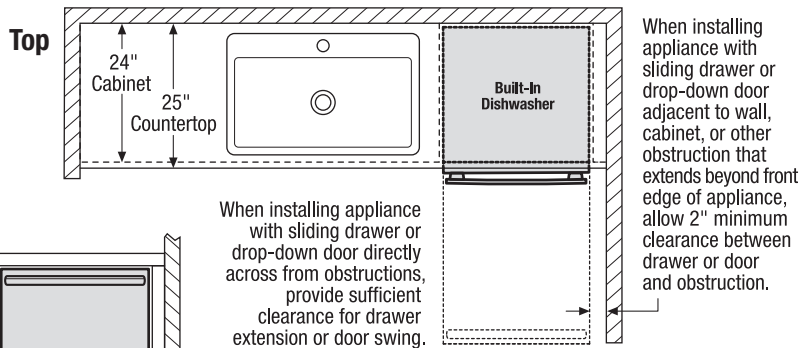
When installing appliances adjacent to each other, 20" minimum distance between each appliance required.

When installing built-in cooking appliances in combination, 2" minimum visible gap between appliance faceplates required.



When installing appliance with sliding drawer, swinging or drop-down door directly across from obstructions, provide sufficient clearance for drawer extension or door swings.

\*When installing refrigerator adjacent to wall, cabinet or other appliance that extends beyond front edge of unit, 20" minimum clearance recommended to allow for optimum 140° door swing, providing complete crisper access and removal. (Absolute 3" minimum clearance will ONLY allow for 90° door swing which will provide limited crisper access with restricted removal.)



When installing appliance with sliding drawer or drop-down door directly across from obstructions, provide sufficient clearance for drawer extension or door swing.

