

Synthesis

a value alternative in canopy hoods

C L A S S I C

- wall canopy rangehood
- traditional styling
- 500 cfm or 280 cfm
- 2 halogen lights
- 3 speed control for 500 cfm models
- 2 speed control for 280 cfm models
- integrated control panel
- dishwasher safe grease filters
- convertible to ductless
- adjustable mounting system
- some range 500 cfm: 3.5 - 6.5
- some range 280 cfm: max. 4.0
- 6" round duct



Size/Color/Model

500 cfm models

30 Stainless	630001186
30 White	630002593
30 Black	630002595
36 Stainless	630001187
36 White	630002594
36 Black	630002596

280 cfm models

30 Stainless	630002458
36 Stainless	630002459

Designed to offer a high-end look without the high-end price tag, the Synthesis offers a chimney style rangehood for the price-conscious customer. Traditional styling, standard features, and solid performance make the Synthesis a great value in canopy rangehoods.

a c C e S S O r i e S	24" High Backsplash	
	24" high, mounts to the wall beneath the rangehood for a coordinated look	
	30 x 24 Stainless	6098835
	30 x 24 White	6098836
	30 x 24 Black	6098837
	36 x 24 Stainless	6098815
	36 x 24 White	6098816
	36 x 24 Black	6098817
	30" High Backsplash	
	30" high, mounts to the wall beneath the rangehood for a coordinated look	
	30 x 30 Stainless	620000095
	36 x 30 Stainless	620000096

Wire Rack	
Includes attachments for mounting to cabinets on both sides	
30 Chrome	620000306
36 Chrome	620000307

Wire Rack Hanger Kit	
For mounting wire rack to back wall if there are no cabinets to attach rack to	
Chrome	6099920

High Ceiling Chimney Kit

One 40" upper chimney to replace 16 3/8" upper chimney that came with hood

Stainless	620000070
White	620000164
Black	620000165

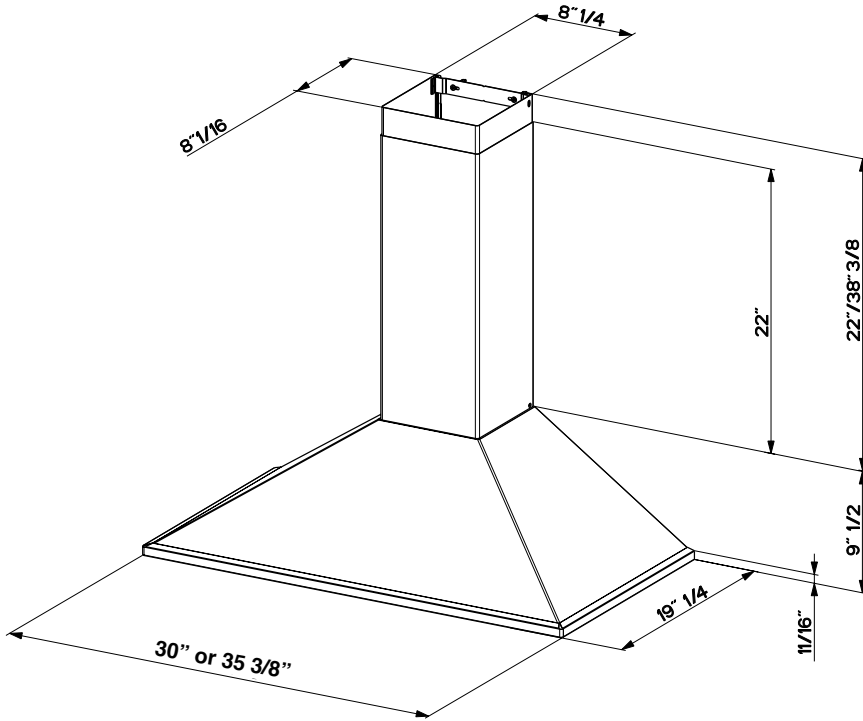
Ductless Conversion Kit

Includes: • Lower Chimney with holes for ducting • Ductless Diverter • Vent Grates • Two Charcoal Filters

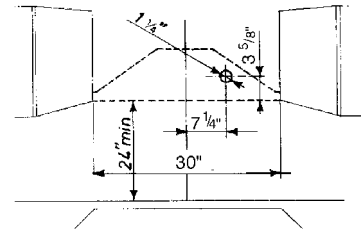
Stainless	620000059
White	620000162
Black	620000163

Replacement Charcoal Filters	6093034
-------------------------------------	---------

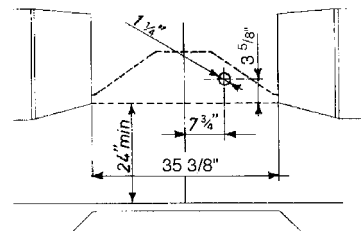
Dimensional Diagrams & Electrical Knockouts



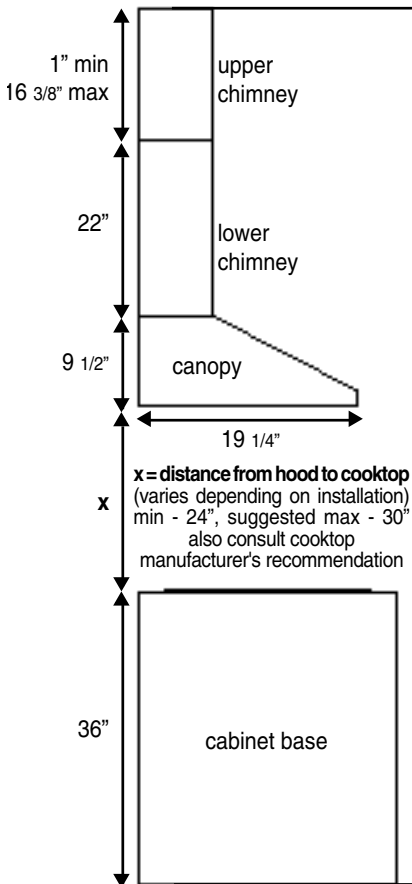
30" Model



36" Model



Pre-Planning Your Installation - Important: Consult the installation instructions before you begin installing this rangehood.



The Synthesis chimneys are adjustable and designed to meet varying ceiling heights. The chimneys can be adjusted for ceilings between 7' 8 1/2" and 9' 5 7/8" depending on the distance between the bottom of the hood and the cooktop (distance x in left diagram).

min & max ceiling height examples			
x = 24"	x = 26"	x = 28"	x = 30"
min	min	min	min
7' 8 1/2"	7' 10 1/2"	8' 1 1/2"	8' 2 1/2"
max	max	max	max
8' 11 7/8"	9' 1 7/8"	9' 3 7/8"	9' 5 7/8"

For shorter ceilings, have the chimney cover(s) cut at a sheet metal shop. For higher ceiling installations, the **High Ceiling Chimney Kit** includes a new 40" upper chimney which would replace the 16 3/8" upper chimney that came with the hood.

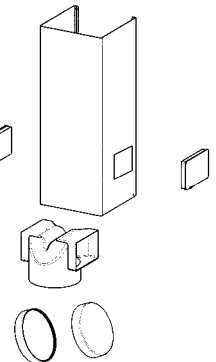
Pre-Planning Your Ductwork - Important: Consult the installation instructions before you begin installing this rangehood.

Make your ductrun as straight and short as possible. The ductrun should not exceed 35 equivalent feet if ducted with the required minimum of 6" round ductwork. Count 45° angles as 3 feet, 90° elbows as 5 feet, and 90° flat elbows as 12 feet.

For best results, use no more than three 90° elbows. Make sure that there is a minimum of 24" of straight duct between elbows if more than one is used. Do not install two elbows together. If you must elbow right away, do it as far away from the hood's exhaust opening as possible.

Ductless Installations

For installations where ductwork is impossible or highly impractical, a **Ductless Conversion Kit** is available. Charcoal filters, which attach to the blower assembly, absorb smoke and odors. A ductless diverter directs the air out to a lower chimney with vent grates cut into the sides.



WARNING! Product specifications are subject to change without notification. Consult the installation instructions before you begin installing this rangehood.