

**NEW**  
Preliminary

# Whirlpool® Microwave Hood WMH31017A

## KEY FEATURES

- 1.7 cu. ft. Capacity
- 220 CFM
- 2 Speed Fan
- 1000 Watts
- Blue LED Display
- New Whirlpool® Design
- Metal Handle on Stainless Steel Color



## COLORS

White(W)



Black(B)



Universal  
Silver(D)



Stainless  
Steel(S)





# Microwave Hood

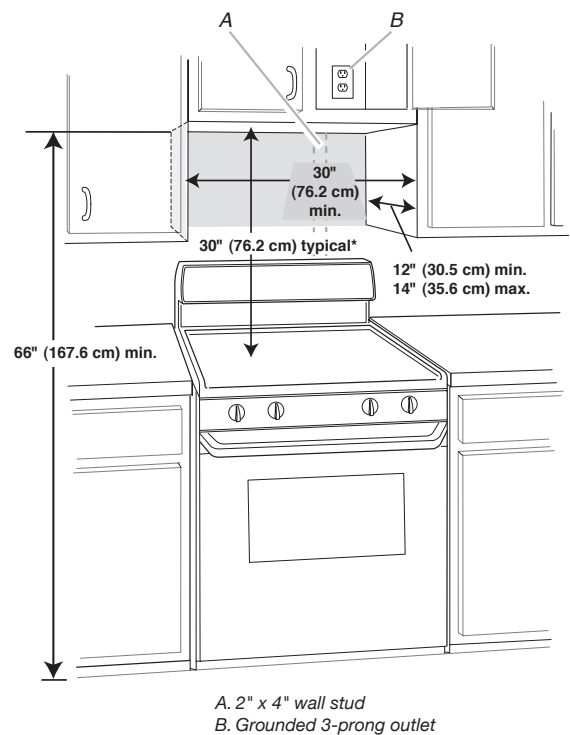
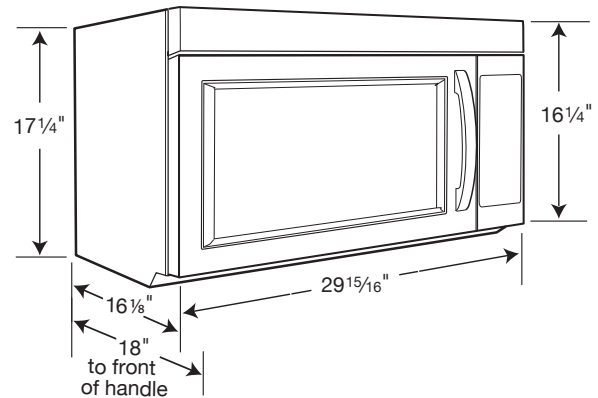
## WMH31017A

### Specifications

MODEL NO.	WMH31017A
<b>MICROWAVE</b>	
Capacity (cu ft)	1.7 cu ft
Cooking Power (watts)	1000 watts
<b>COOKING FUNCTIONS</b>	
Add 30 Seconds	Yes
Programmed Cooking	Yes
Variable Power Levels	10
Stage Cooking	2 Stages
<b>CYCLES</b>	
Soften/Melt	Yes
Popcorn	Yes
Baked Potato	Yes
Pizza	Yes
<b>CONVENIENCE</b>	
Recessed Glass Turntable	Yes (12" diameter)
Night Light	Yes
Control Lock	Yes
Display Type	LED
<b>HOOD</b>	
Exhaust Fan CFM	220
Exhaust Fan Speeds	2
Cooktop Lighting	Incandescent
Odor Removal Filter (Charcoal)	Yes
Dishwasher Safe Grease Filter(s)	Yes
Filter Change Indicator	Yes
<b>GENERAL INFORMATION</b>	
Convertible for Vented or Non-Vented Use	Yes
Approx. Shipping Weight (lbs.)	64
Stainless Steel Finish Handle	Yes -- SS Only
Hidden Vent	Yes
<b>COLOR AVAILABILITY</b>	<b>W,B,D,S</b>

W=White, B=Black, D=Universal Silver, S=Stainless Steel

### Dimensions



NOTE: The grounded 3 prong outlet must be inside the upper cabinet. \*30" (76.2 cm) is typical for 66" (167.6 cm) installation height. Exact dimension may vary depending on type of range/cooktop below.

**Dimensions are for planning purposes only.**  
**For complete details, see Installation Instructions packed with product.**  
**Specifications subject to change without notice.**

®Registered trademark/™ Trademark of Whirlpool, U.S.A. ©2011. All rights reserved.  
 All other trademarks are owned by their respective companies.

DIMENSIONS	
Exterior Dimensions (in.) W x H x D	29-15/16" W x 17-1/4" H x 16-1/8" D
Carton Dimensions (in.) W x H x D	31-3/4" W x 20" H x 18-5/8" D
Min Cutout Dimensions	30" W