



Installation Instructions

Warming Drawer

Models: DWD30, ERWD27, ERWD30, EWD24, EWD27,
EWD30, EWD36, IWD24, IWD27, IWD30, MRWD27,
MRWD30, MWDH27, MWDH30, MWDV27,
MWDV30, OWD24, RWDV30

All specifications are subject to change without notice. Dacor® assumes no liability for changes to specifications.

Table of Contents

Before You Begin...	1	Installation Instructions	7
Important Safety Instructions	1	Remove the Drawer	7
General Safety Precautions	2	Installing the Chassis	7
Installation Specifications	3	Re-installing the Drawer	8
Verifying the Package Contents	3	Towel Rack Installation	8
Installation Planning	3	Verify Warming Drawer Operation	9
Install Support Platform in Cabinet	6	Installation Checklist	9
Electrical and Environmental Specifications	6		

Before You Begin...

Important:

Installer: In the interest of safety and to minimize problems, read these installation instructions completely and carefully before you begin the installation process. Leave these installation instructions with the customer.

Customer: Keep these installation instructions for future reference and the local electrical inspector's use.

If you have questions or problems with installation, contact your Dacor dealer or the Dacor Customer Service Team. For repairs to Dacor appliances under warranty call the Dacor Distinctive Service line. Whenever you call, have the complete model and serial number for your appliance available. The numbers are found on the product data label located on back of the drawer front.

The data label also contains the product electrical requirements.

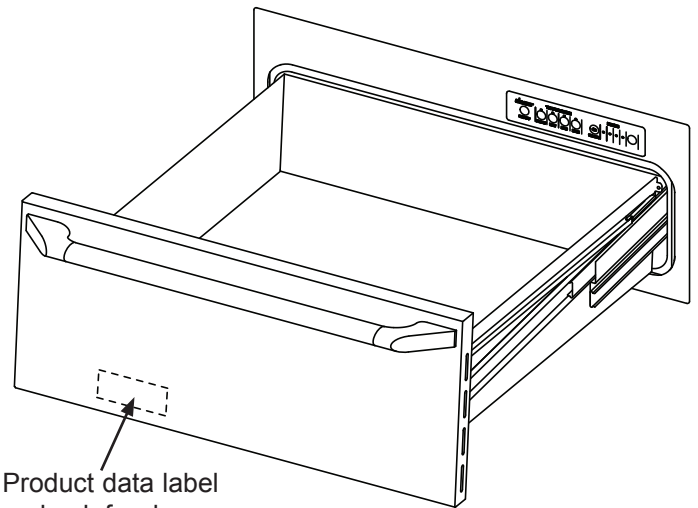
Dacor Customer Service

Phone: (800) 793-0093 (U.S.A. and Canada)
Monday — Friday 6:00 A.M. to 5:00 P.M. Pacific Time

Web site: www.dacor.com

Dacor Distinctive Service (repairs under warranty only)

Phone: (877) 337-3226 (U.S.A. and Canada)
Monday — Friday 6:00 A.M. to 4:00 P.M. Pacific Time



Product data label on back for drawer front


Important Safety Instructions

Important Information About Safety Instructions

- The **Important Safety Instructions** and warnings in these instructions are not meant to cover all possible problems and conditions that can occur. Use common sense and caution when installing, maintaining or operating this or any other appliance.
- Always contact the Dacor Customer Service Team about problems and conditions that you don't understand.

Safety Symbols and Labels

 DANGER
Immediate hazards that WILL result in severe personal injury or death.

 WARNING
Hazards or unsafe practices that COULD result in severe personal injury or death.

 CAUTION
Hazards or unsafe practices that COULD result in minor personal injury or property damage.

Important Safety Instructions

General Safety Precautions

To reduce risk of fire, electric shock, serious injury or death when using your appliance, follow basic precautions, including the following:



WARNING

- Use this appliance only for its intended use as described in this manual. Use it only to warm food and heat plates and utensils. It is not designed for commercial, industrial or laboratory use.
- Only model OWD24 is approved for use in outdoor installations and near water (bathrooms). Do not use, store or install warming drawer models other than OWD24 near water, for example, near sinks, swimming pools or in a wet basement.
- Model OWD24, when installed as a towel warmer, must be installed indoors and have the supplied wire rack installed in the drawer bottom according to these instructions.
- Do not install or operate a product that is damaged, has a damaged power cord or plug, or is malfunctioning in any manner. Return the appliance to the nearest authorized service facility for examination, repair or adjustment.
- Make sure that the appliance has been properly installed and grounded by a qualified installer according to the accompanying installation instructions. Have the installer show you the location of the electrical outlet so that you know where to disconnect power to the appliance.
- Do not repair or replace any part of the warming drawer unless specifically recommended in the literature accompanying it. All other service should be done by a qualified technician.
- Use of accessory attachments not recommended by the appliance manufacturer may cause injuries.
- Before cleaning or performing any type of service, make sure that the power plug is disconnected from the electrical outlet and that the unit is cool.
- **DO NOT TOUCH ANY HOT SURFACES IN OR ON THE WARMING DRAWER DURING OR IMMEDIATELY AFTER USE.** Use the handle instead. After use, make sure these surfaces have had sufficient time to cool before touching them. Heating elements may be hot, even though they are dark in color.
- To avoid the possibility of fire or burns, do not allow clothing, potholders, towels or rags to come into contact with any part of the warming drawer during and immediately after use. Do not wear loose or hanging apparel while using the appliance.



WARNING

- Clean the warming drawer thoroughly before operating it for the first time.
- To reduce the risk of fire in the warming drawer, do not overcook food. Do not leave it unattended with paper, plastic or other combustible materials inside.
- If materials inside the warming drawer should ignite, keep the drawer closed and shut off the power at the circuit breaker panel or fuse box.
- Exercise caution when opening the warming drawer. Let hot air or steam escape before looking or reaching into the warming drawer.
- Use only dry pot holders when removing food and cookware from the warming drawer. Wet pot holders can cause steam burns.
- Do not put items like whole eggs, sealed containers or closed glass jars in the drawer. They may explode when heated, causing injury.
- When the warming drawer is on in continuous mode (∞), it will remain on until turned off manually. Exercise caution when operating the unit in continuous mode.
- Do not place more than 50 pounds in the drawer.
- Properly clean and maintain the unit regularly as instructed in the use and care manual. Clean only those parts listed, in the manner specified.
- Do not use abrasive scrubbers or abrasive/caustic cleaners or detergents on this appliance. They may permanently damage the finishes. Do not use aerosol cleaners, because they may be flammable or cause corrosion of metal parts.
- Make sure the warming drawer is used only by those individuals who are able to operate it properly.
- Do not tamper with the controls.
- Never allow anyone, including children to sit, stand or climb on any part of the appliance, including the drawer. Doing so may cause tipping, damage, serious injury or death.
- Do not leave children unattended in the area around the appliance. Do not allow children to operate it, play with the controls, pull on the handle or touch other parts. Do not store items of interest to children above the warming drawer. Children could be burned or injured while climbing on the appliance.

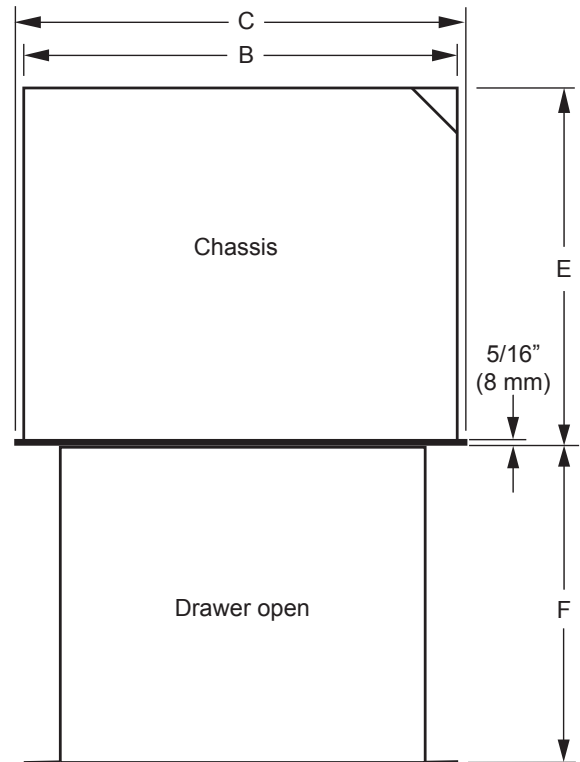
Installation Specifications

Verifying the Package Contents

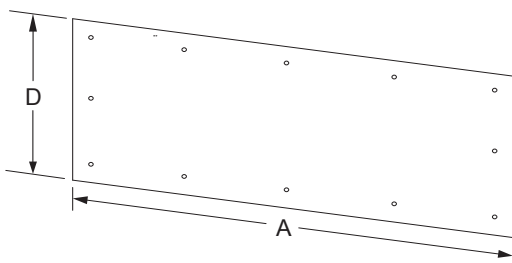
- (3) mounting screws - PN 83569
- Wire rack with mounting hardware (OWD24 only)
(1) PN 83619 (screw), (1) PN 83267 (clamp)

Installation Planning

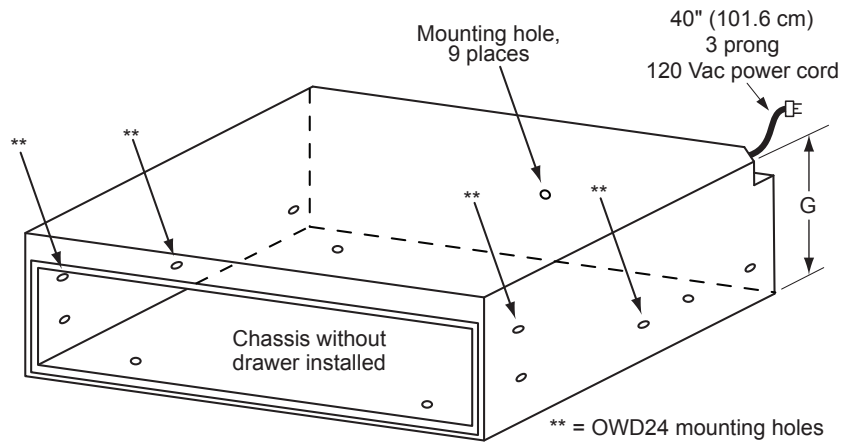
- A qualified technician must complete the installation of this built-in appliance. Proper installation is the customer's responsibility.
- Carefully check the location where the drawer is to be installed. The drawer should be placed for convenient access. Make certain that electrical power can be provided in the selected location. Install the warming drawer in wood cabinets only.
- Plan the installation so that all minimum clearances are met or exceeded. Dimensions shown provide minimum clearances, unless otherwise noted. Be certain that proper clearance is provided for the drawer when it is in the open position.
- The specified minimum cabinet depth and width must be provided. The cabinet depth and width must completely enclose the recessed portion of the drawer.
- Cabinet cutout dimensions must be used as indicated. All contact surfaces between the appliance and the cabinet must be solid and level. The drawer support platform must be flush with the bottom edge of the cabinet cutout.
- Make certain that you have everything necessary to ensure a proper installation before proceeding.
- A custom front panel is required for IWD series models and optional for OWD24.
- An optional Epicure® style front panel kit is available for model OWD24.



**Overall Dimensions - IWD/OWD Series
Top View**



**Drawer Face Dimensions
(IWD/OWD Series)**

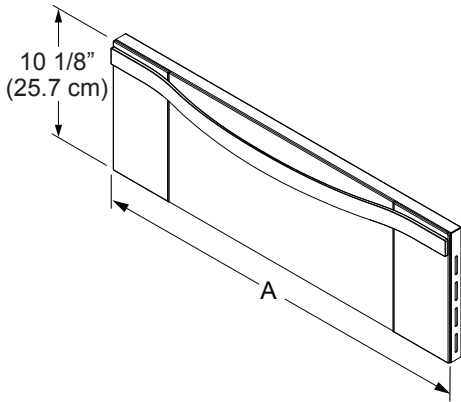


**Chassis Dimensions
(IWD/OWD Series)**

Model	(A) Dimension Drawer Face Width	(B) Dimension Chassis Width	(C) Dimension Chassis Face Width	(D) Dimension Drawer Face Height	(E) Dimension Chassis Depth	(F) Dimension Drawer Depth	(G) Dimension Chassis Height
IWD24	22 5/16" (56.7 cm)	22 1/4" (56.5 cm)	22 3/8" (56.8 cm)	8 15/16" (22.7 cm)	23 3/8" (59.4 cm)	23 13/16" (60.5 cm)	9 1/16" (23.0 cm)
IWD27	25 5/16" (64.3 cm)	25 1/4" (64.1 cm)	25 3/8" (64.5 cm)				
IWD30	28 5/16" (71.9 cm)	28 1/4" (71.8 cm)	28 3/8" (72.1 cm)				
OWD24	22 1/2" (57.1 cm)	22 1/2" (57.1 cm)	22 1/2" (57.1 cm)	11 7/8" (30.2 cm)	20" (50.8 cm)	18" (45.7 cm)	11 7/8" (30.2 cm)

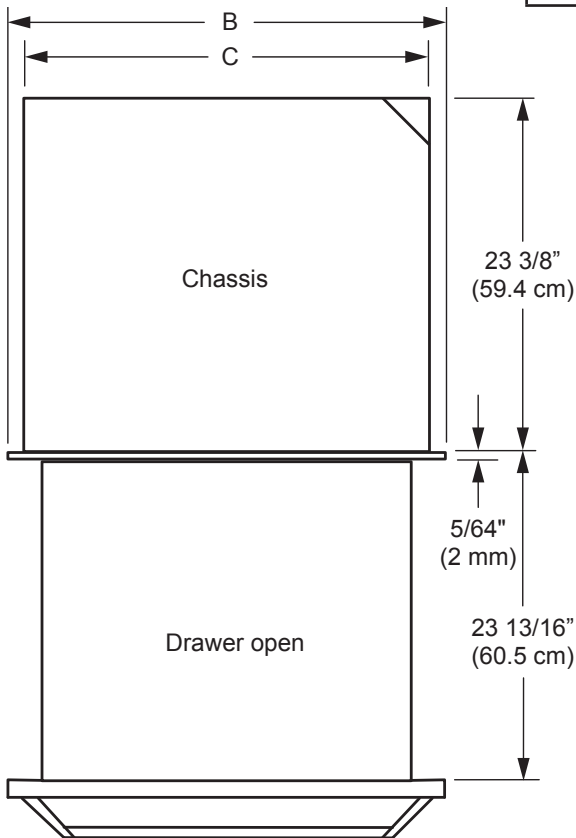
See following page for chassis dimensions for other models

Installation Specifications



Drawer Face Dimensions
(MWD series shown)

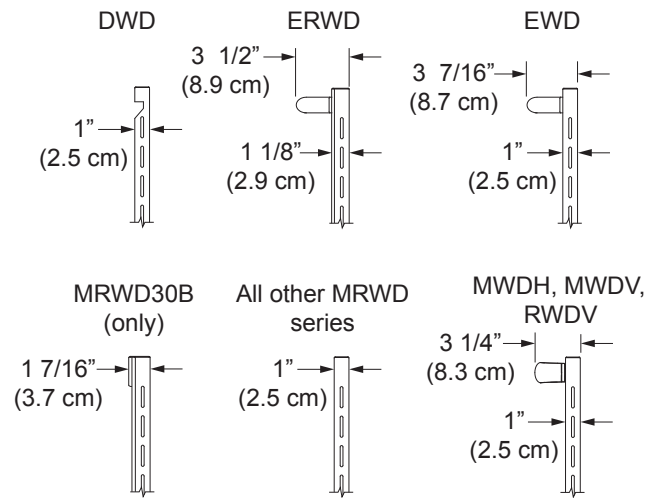
Model	(A) Drawer Face Width	(B) Chassis Face Width	(C) Chassis Width
DWD30	30" (76.2 cm)	29 5/8" (75.2 cm)	28 1/4" (71.8 cm)
ERWD27	27" (68.6 cm)	26 5/8" (67.6 cm)	25 1/4" (64.1 cm)
ERWD30	30" (76.2 cm)	29 5/8" (75.2 cm)	28 1/4" (71.8 cm)
EWD24	24" (61.0 cm)	23 5/8" (60.0 cm)	22 1/4" (56.5 cm)
EWD27	27" (68.6 cm)	26 5/8" (67.6 cm)	25 1/4" (64.1 cm)
EWD30	30" (76.2 cm)	29 5/8" (75.2 cm)	28 1/4" (71.8 cm)
EWD36	36" (91.4 cm)	35 5/8" (90.5 cm)	34 1/4" (87.0 cm)
MRWD27	26 3/4" (67.9 cm)	26 5/8" (67.6 cm)	25 1/4" (64.1 cm)
MRWD30	29 3/4" (75.6 cm)	29 5/8" (75.2 cm)	28 1/4" (71.8 cm)
MWDH27	27" (68.6 cm)	26 5/8" (67.6 cm)	25 1/4" (64.1 cm)
MWDH30	30" (76.2 cm)	29 5/8" (75.2 cm)	28 1/4" (71.8 cm)
MWDV27	27" (68.6 cm)	26 5/8" (67.6 cm)	25 1/4" (64.1 cm)
MWDV30	30" (76.2 cm)	29 5/8" (75.2 cm)	28 1/4" (71.8 cm)
RWDV30	30" (76.2 cm)	29 5/8" (75.2 cm)	28 1/4" (71.8 cm)



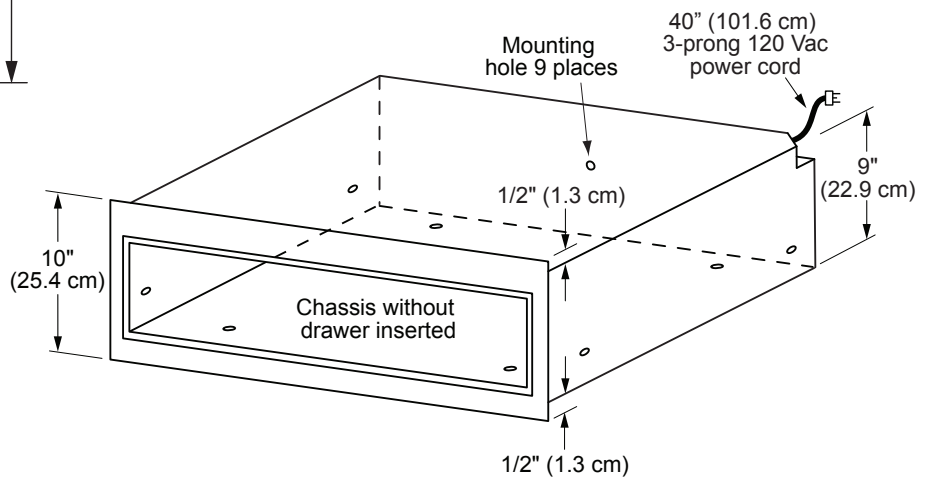
Overall Dimensions
Top View
(EWD series shown)

Warming Drawer Overall Dimensions

See page 3 for IWD and OWD series chassis dimensions

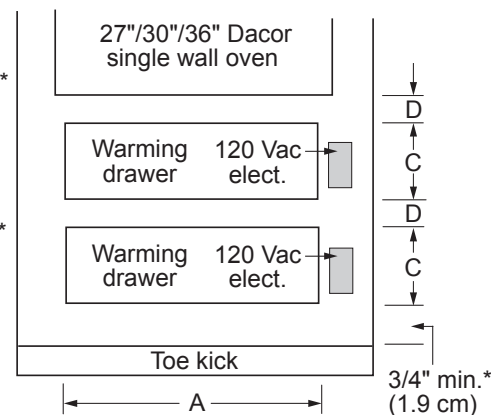
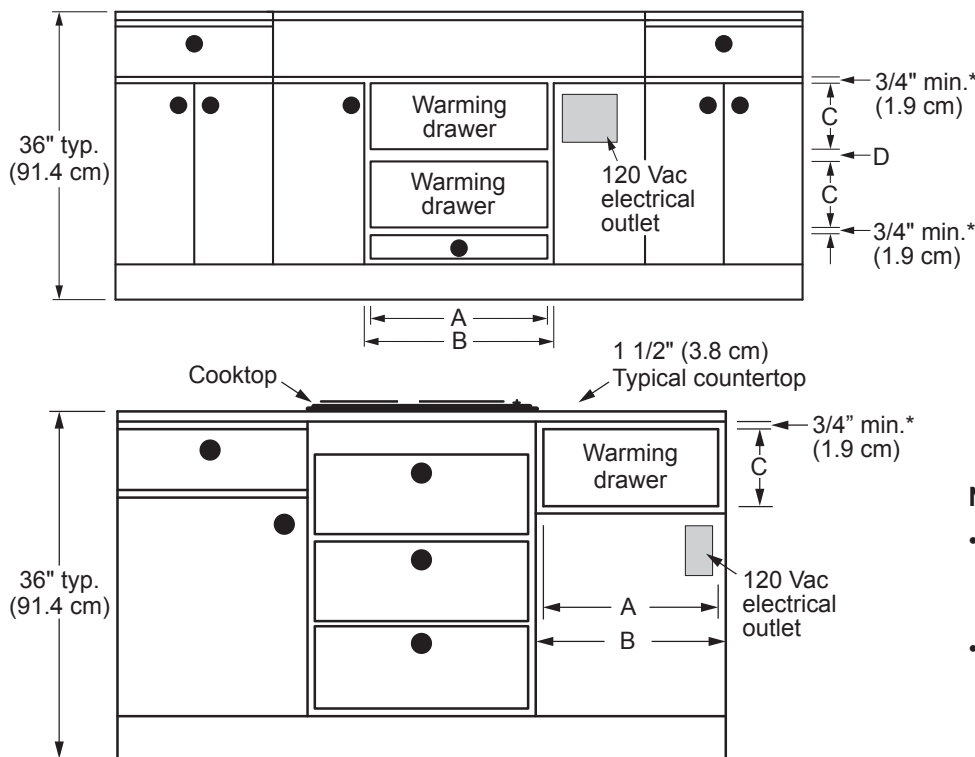


Handle Dimensions



Chassis Dimensions

Installation Specifications



Cutouts Dimensions

NOTES:

- Models EWD36 and OWD24 cannot be installed above or below another warming drawer (any type).
- Model OWD24 is not approved for installation above, below or adjacent to a wall oven or a warming drawer, including the same model.

Model	(A) Cutout Width	(B) Min. Width to Adjacent Doors/ Drawers	(C) Cutout Height	(D) Min. Vertical Gap Between Cutouts	Min. Cutout Depth
DWD30	28 1/2" (72.4 cm)	30 1/4" (76.8 cm)*	9 1/8" (23.2 cm)	1 1/4" (3.2 cm)*	24" (61.0 cm)
ERWD27	25 1/2" (64.8 cm)	27 1/4" (69.2 cm)*	9 1/8" (23.2 cm)	1 1/4" (3.2 cm)*	
ERWD30	28 1/2" (72.4 cm)	30 1/4" (76.8 cm)*	9 1/8" (23.2 cm)	1 1/4" (3.2 cm)*	
EWD24	22 1/2" (57.2 cm)	24 1/4" (61.6 cm)*	9 1/8" (23.2 cm)	1 1/4" (3.2 cm)*	
EWD27	25 1/2" (64.8 cm)	27 1/4" (69.2 cm)*	9 1/8" (23.2 cm)	1 1/4" (3.2 cm)*	
EWD30	28 1/2" (72.4 cm)	30 1/4" (76.8 cm)*	9 1/8" (23.2 cm)	1 1/4" (3.2 cm)*	
EWD36	34 1/2" (87.6 cm)	36 1/4" (92.1 cm)*	9 1/8" (23.2 cm)	NA	
IWD24	22 1/2" (57.2 cm)	**	9 1/8" (23.2 cm)	1 1/16" (2.7 cm)	
IWD27	25 1/2" (64.8 cm)	**	9 1/8" (23.2 cm)	1 1/16" (2.7 cm)	
IWD30	28 1/2" (72.4 cm)	**	9 1/8" (23.2 cm)	1 1/16" (2.7 cm)	
MRWD27	25 1/2" (64.8 cm)	27" (68.6 cm)*	9 1/8" (23.2 cm)	1 1/4" (3.2 cm)*	
MRWD30	28 1/2" (72.4 cm)	30" (76.2 cm)*	9 1/8" (23.2 cm)	1 1/4" (3.2 cm)*	
MWDH27	25 1/2" (64.8 cm)	27 1/4" (69.2 cm)*	9 1/8" (23.2 cm)	1 1/4" (3.2 cm)*	
MWDH30	28 1/2" (72.4 cm)	30 1/4" (76.8 cm)*	9 1/8" (23.2 cm)	1 1/4" (3.2 cm)*	
MWDV27	25 1/2" (64.8 cm)	27 1/4" (69.2 cm)*	9 1/8" (23.2 cm)	1 1/4" (3.2 cm)*	
MWDV30	28 1/2" (72.4 cm)	30 1/4" (76.8 cm)*	9 1/8" (23.2 cm)	1 1/4" (3.2 cm)*	
OWD24	22 5/8" (57.5 cm)	24 1/4" (61.6 cm)***	11 15/16" (30.3 cm)	NA	
RWDV30	28 1/2" (72.4 cm)	30 1/4" (76.8 cm)*	9 1/8" (23.2 cm)	1 1/4" (3.2 cm)*	24" (61.0 cm)

* Bare minimum spacing to allow for ventilation and avoid scraping on DWD, ERW, EWD, MRW, MWD and RWD models.

** IWD models or OWD24 without the optional front panel kit: The chassis and drawer faceplate are smaller than the cutout. The custom front panel mounts to the drawer faceplate. The height and width of the custom front panel must exceed the cutout dimensions (A and C above) to cover the hole. Allow 1/4" minimum additional space on the top, bottom and sides from the custom front panel edge to prevent scraping against adjacent doors, drawers and the countertop.

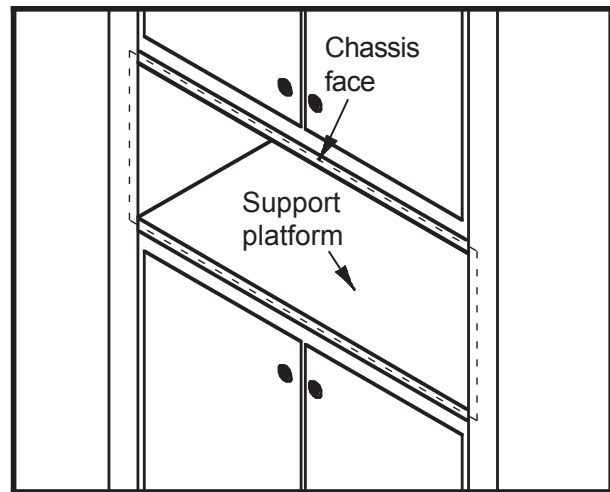
*** OWD24 with optional factory front panel kit only. Bare minimum spacing shown to avoid scraping. Gap above and below cutout is 3/4" minimum. See ** above for OWD24 with custom front panel.

Installation Specifications

Install Support Platform in Cabinet

Provide a platform (100 lb. load capacity) within the cabinet upon which the warming drawer will be supported. The platform must be installed level and straight. The top edge of the platform must be flush with the cutout at the front of the cabinet. There are no provisions to level the warming drawer after it has been installed. 3/4" (1.9 cm) thick plywood is recommended.

NOTE: If the drawer is not installed in a level fashion, the drawer may slide open on its own or may not seal tightly, allowing heat to escape and resulting in poor warming drawer performance.



Electrical and Environmental Specifications

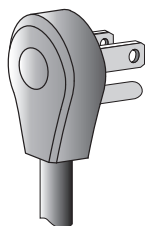


WARNING

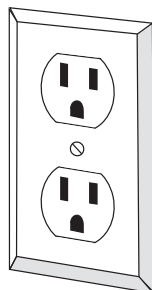
IMPORTANT: This appliance is equipped with a three prong grounding electric plug for protection against possible electric shock hazards. It must be plugged into a dedicated, grounded, electrical outlet. If only a two prong electrical outlet is available, it is the responsibility of the customer to have it replaced with a dedicated, properly grounded three prong electrical outlet. **To avoid an electric shock hazard, do not under any circumstances:**

- Cut or remove the third (ground) prong from the power cord.
- Use an adapter plug.
- Use a power cord that is frayed or damaged.
- Immerse the power cord or plug in water or other liquid.
- Connect the appliance to an extension cord.

NOTE: Use of a ground fault interrupter (GFI) is not recommended.



Three prong plug



Three prong grounded outlet

- Minimum ambient operating temperature: 32°F (0°C).
- The correct voltage, frequency and amperage must be supplied to the electrical outlet from a grounded, single phase circuit that is protected by a properly sized circuit breaker or time-delay fuse.
- The required voltage, frequency and amperage ratings are listed on the product data label. See page 1 for location.

Nominal Electrical Supply Requirements

120 Vac, 60 Hz, 15 Amp., dedicated circuit

The warming drawer is supplied with a 40" (101.6 cm) power cord with a three prong grounded plug.

Total Connected Load 0.5 kW (4 Amp.)

- The power supply requirements shown above are for reference only. If they do not agree with those listed on the product data label, use the requirements on the product data label.
- It is the owner's responsibility to ensure that the electrical outlet is installed by a qualified electrician. The electrical installation must comply with the latest revision of the National Electric Code ANSI/NFPA 70 and local codes and ordinances.
- If the electrical service provided does not meet the product specification, or does not conform to the NEC or local standards, do not proceed with the installation. Call a licensed electrician to correct the electrical service before proceeding.
- Be certain to locate the electrical outlet in an accessible location, so that the warming drawer may be easily unplugged in the event that service becomes necessary.
- Keep the electrical cord away from hot surfaces.

Installation Instructions

WARNING

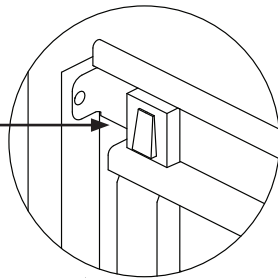
- To avoid personal injury caused by the appliance falling forward when the drawer is opened, secure the chassis to the cabinet and support platform as instructed.
- Be certain that the power plug is disconnected from the electrical outlet before installation.
- Verify that the electrical supply matches the ratings found on the appliance data plate and the installation specifications before proceeding.

Remove the Drawer

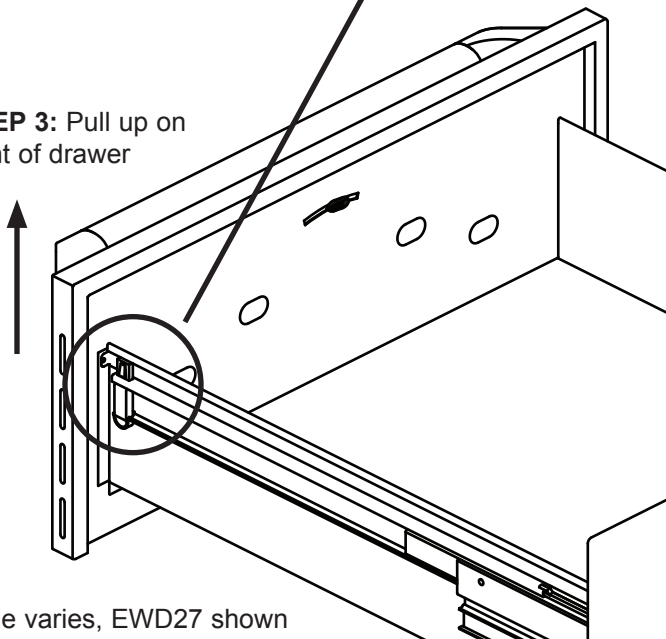
Remove the drawer from the appliance to allow access to the mounting holes during installation, and to reduce weight:

1. Pull the drawer out to the fully open position.
2. Push in on the locking tab on one side as you pull the drawer up.
3. When the drawer comes loose from the slide, repeat the same process on the opposite side.
4. Grip the drawer on both sides and pull it free.
5. For safety, push both drawer slides into the drawer opening.

STEP 2: Push locking tab



STEP 3: Pull up on front of drawer

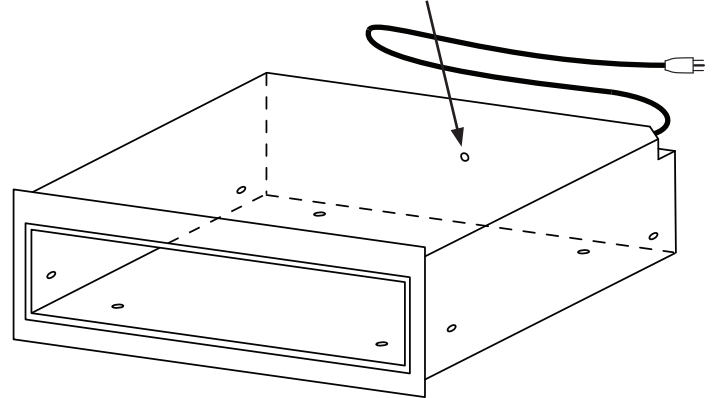


Style varies, EWD27 shown

Installing the Chassis

1. Grasp the warming drawer chassis on opposite sides and slide it partially into the cabinet opening. Temporarily support the chassis in place so that it will not tilt or fall.
2. From an adjoining cabinet, reach in behind the drawer and pull the power cord until the plug is next to the electrical outlet. Do not plug in the power cord at this time.
3. After positioning the power cord and plug, slide the chassis completely into the cabinet until the front frame is positioned flush against the cabinet face.
4. Use the screws provided to secure the warming drawer chassis to the cabinet and support platform, insert them into the mounting holes and tighten into place. You may want to drill pilot holes prior to installing the mounting screws.

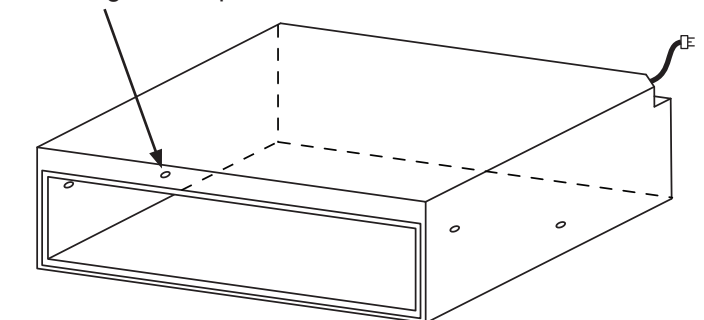
Mounting hole, 9 places



Mounting Hole Locations - ERW, EWD, IWD, MRW and MWD Series Models

(IWD series models do not have a flange around the edge of the faceplate)

Mounting hole, 4 places



Mounting Hole Locations - OWD24

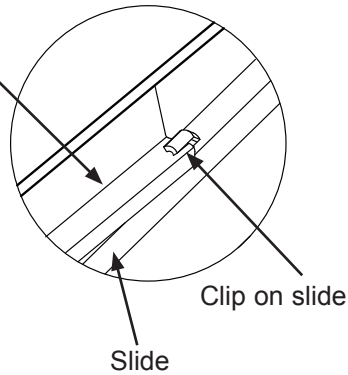
Continued...

Installation Instructions

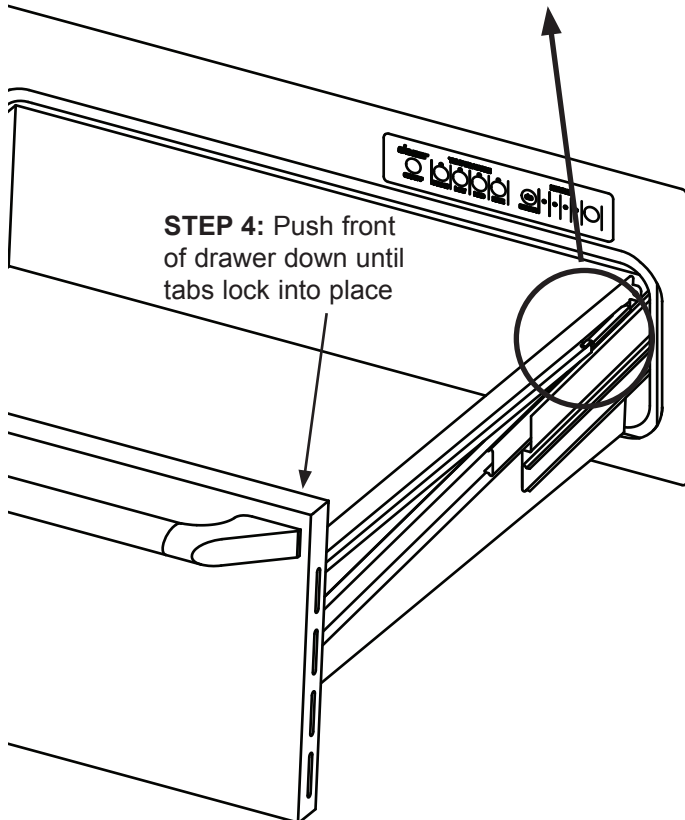
Re-installing the Drawer

1. Pull the drawer slides all the way out of the drawer opening.
2. Gently lower the drawer between the extended slides until it is suspended by them.
3. Slide the back of the drawer mounting brackets under the drawer mounting clips on the slides.
4. Push one side of the drawer down onto its locking tab, until the tab locks into place.
5. Repeat the same process on the opposite side.
6. Gently open and close the drawer to make sure that it is properly installed.

STEP 3: Slide mounting bracket under clip on slide



STEP 4: Push front of drawer down until tabs lock into place



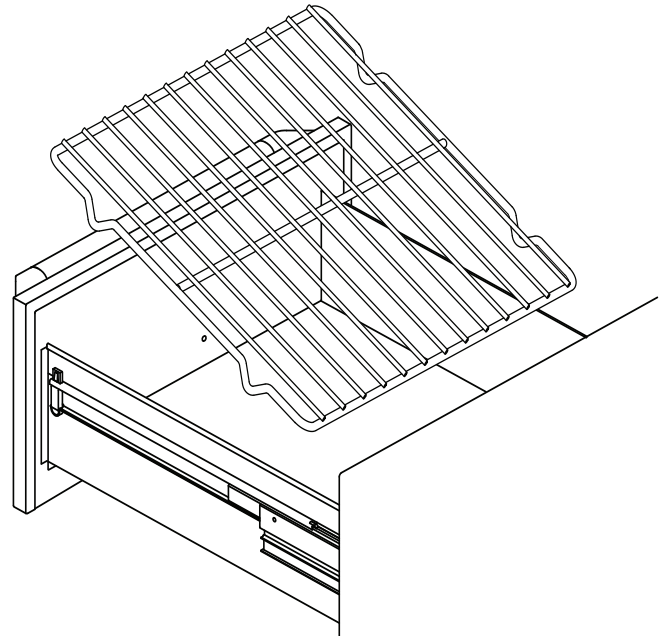
Towel Rack Installation

(OWD24 Only)

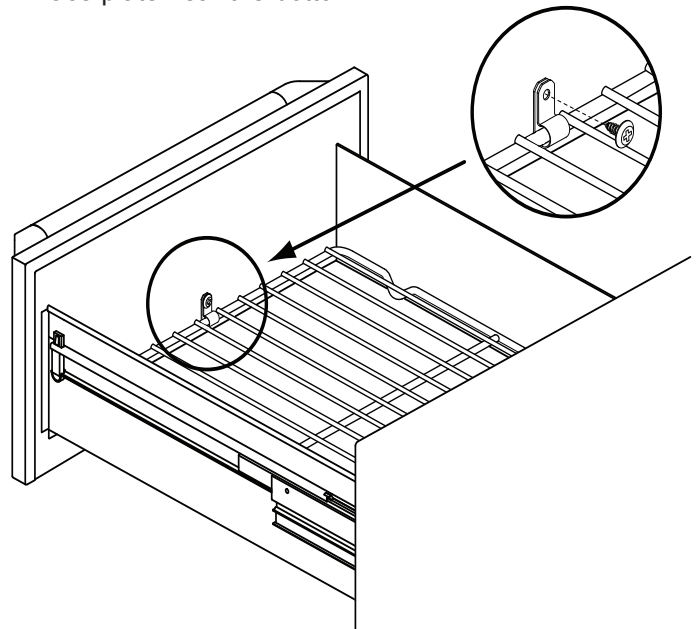
Model OWD24 is designed so that it can be used as a towel warmer if desired. Other models are not equipped for this application. To use model OWD24 as a towel warmer, you must install the towel rack included with the unit in the bottom of the drawer.

To install the towel rack:

1. Open the drawer completely.
2. Insert the towel rack into the drawer in the orientation shown below.



3. Use the clamp and screw included with the rack to attach it to the back of the drawer face as shown below. There is a hole for the screw in the back of the face plate near the bottom.



Installation Instructions



Warming Drawer Control Panel Layout

Verify Warming Drawer Operation

1. Connect power plug to the electrical outlet.
2. Open the drawer and press the **ON/OFF** key on the control panel.
3. Press the **PROOF**, **LOW**, **MED** and **HIGH** keys each in turn. When you press each key, the indicator directly above it should light. Leave the control panel set to **HIGH**.
4. Press the **SELECT** key. The **1 HOUR** indicator should light. Press and release the **SELECT** key three (3) more times. Each time you press the **SELECT** key, the **2 HOUR**, **3 HOUR** and **4 HOUR** indicator lights should come on. All lights should be on after pressing the **SELECT** key the third time.
5. Press the "∞" key. The indicator light above it should come on and the **1**, **2**, **3** and **4 HOUR** lights should go out.
6. The warming drawer should begin to heat. You should begin to feel the inside of the drawer begin to heat within five (5) to ten (10) minutes.
7. When you have determined that the heating element is working, press the **ON/OFF** key.

If the warming drawer does not operate properly, follow these troubleshooting steps:

- Verify that the circuit breaker for the electrical outlet is on and not tripped. Make sure the power plug is connected.
- Repeat the above tests.
- If the appliance still does not work, contact Dacor Distinctive Service at (877) 337-3226. Do not attempt to repair the appliance yourself. Be sure to have the model and serial numbers available when you call. See page 1 for model/serial number location.

Dacor is not responsible for the cost of correcting problems resulting from a faulty installation.

Installation Checklist

WARNING

- To ensure a safe and proper installation, the following checklist should be completed by the installer to ensure that no part of the installation has been overlooked.
 - Proper installation is the responsibility of the homeowner. The importance of proper installation of your warming drawer cannot be overemphasized.
- Support platform has been installed according to the instructions on page 6.
 - Properly grounded, dedicated, three prong electrical outlet has been installed for the appliance by a licensed electrician. See page 6.
 - The chassis has been properly fastened to the support platform and sides of the cabinet. See page 7.
 - The drawer has been properly installed. See page 8.
 - Model OWD24 for use as towel warmer: The towel rack has been installed. See page 8.
 - Proper operation has been verified?
 - The warranty has been activated on-line or the warranty card filled out completely and mailed?
 - Save these instructions for future reference.

dacor[®]
The Life of the Kitchen.[®]

