



## Standard Features & Accessories

### All models include:

- Electronic controls with digital temperature readout
  - Inside temperature can be adjusted from 40 – 65°F
  - Factory set at 50°F
  - Sabbath mode
  - Temperature can be displayed in either Fahrenheit or Celsius
- Capacity—45 bottles
- Five full-extension wine shelves cradle bottles horizontally to keep corks moist
  - Shelves are coated to reduce vibration and hold bottles snugly in place
  - Shelves can be removed and adjusted to store large bottles
- Dual pane and argon-filled Low-E energy efficient glass doors protect wine from harmful light
- Maple wood wine shelf fronts
- LED display lighting
- Forced air cooling system with powerful 700 BTU compressor
- Tru-Flush™ design allows unit to fit flush in 24" deep cutout
- Undercounter or freestanding installation
- Self-closing door
- Super quiet 32-39 db sound rating
- Black kickplate
- Must be ordered right or left hinge. (As you face unit, RIGHT has hinge on right side and handle on left side; LEFT has hinge on left side and handle on right side.)

## Model Options



**VWCI1240G**  
Professional

- FINISH DETAILS FOR VWCI MODEL**
- Clear and fluted glass doors
    - Stainless Steel (SS)—stainless steel frame around large window door, stainless steel handle with chrome-plated brackets, stainless steel exterior cabinet, and stainless steel interior.



**FWCI1240G**  
Custom Panel

- FINISH DETAILS FOR FWCI MODEL**
- Clear glass doors
  - Stainless steel interior
  - Handle not included—opt for custom handle, or purchase a Viking Professional Series handle kit (see **Installation Notes & Accessories**).
  - Accept 3/4"-thick custom wood frame
  - See **Custom Panels** section or more information and additional specifications.

### ORDERING INSTRUCTIONS

First specify model number, then specify hinge preference ("R" for right or "L" for left), and then color code (VWCI1240GRSS).





★ Please see Installation Notes & Accessories for important information, including handle kits.

### Dimensions & Specifications

#### PRODUCT DIMENSIONS

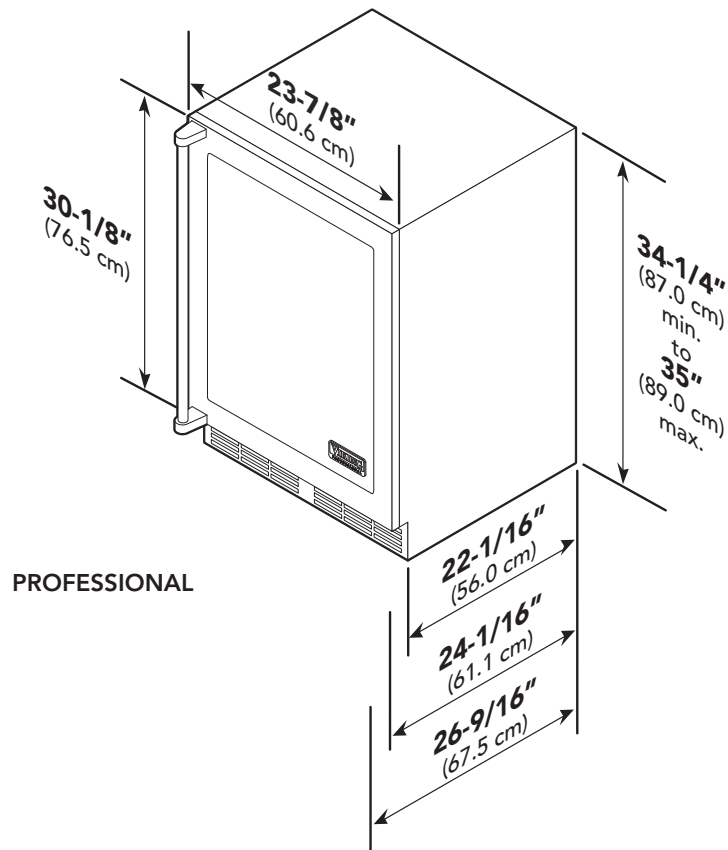


VWC1240G Professional



FWC1240G Custom Panel

See Custom Panels section for more information and additional specifications.



	VWC1240G	FWC1240G
Overall width	23-7/8" (60.6 cm)	
Overall height (from bottom)	34-1/4" (87.0 cm) min. to 35" (89.0 cm) max.	
Overall depth (from rear)		
To front of handle	26-9/16" (67.5 cm)	Varies
Approx. ship. weight	215 lbs. (98.0 kg)	





## Dimensions & Specifications

### DOOR SWING

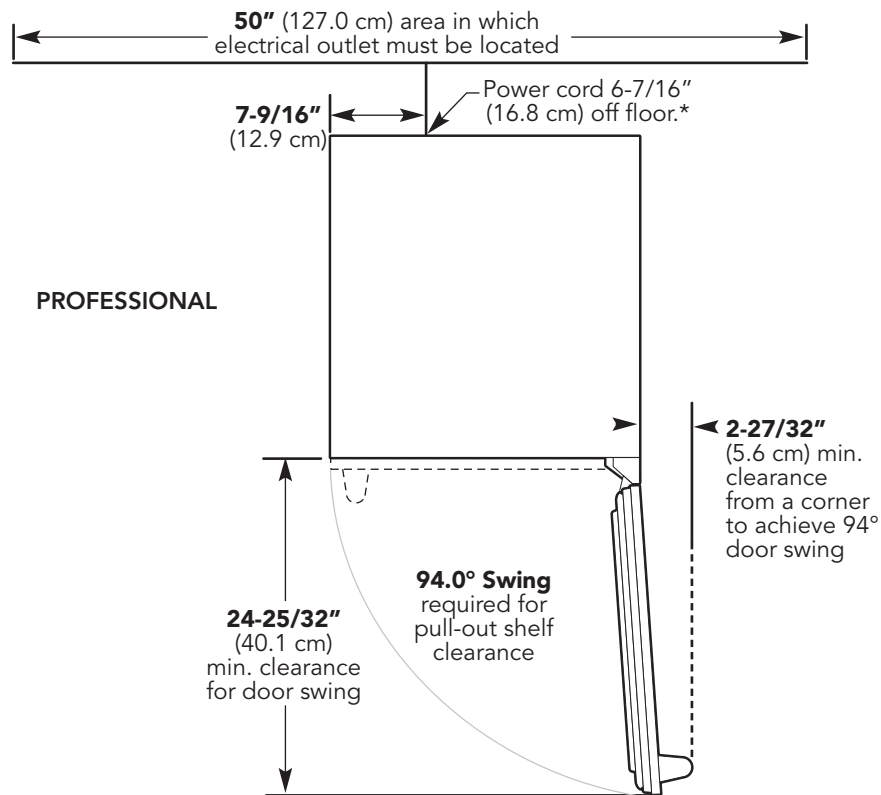


VWCI1240G  
Professional



FWCI1240G  
Custom Panel

See **Custom Panels** section for more information and additional specifications.





# REFRIGERATION

## Undercounter/Freestanding 24"W. Wine Cellar



### UTILITY REQUIREMENTS



**GAS**  
Not applicable



**ELECTRICAL**

- Three-wire cord with grounded three-prong plug attached to product
- 115V/60 Hz; 15 amp dedicated circuit
- Maximum amp usage—3.0



**PLUMBING**  
Not applicable

## Installation Requirements

### ACCESS REQUIREMENTS

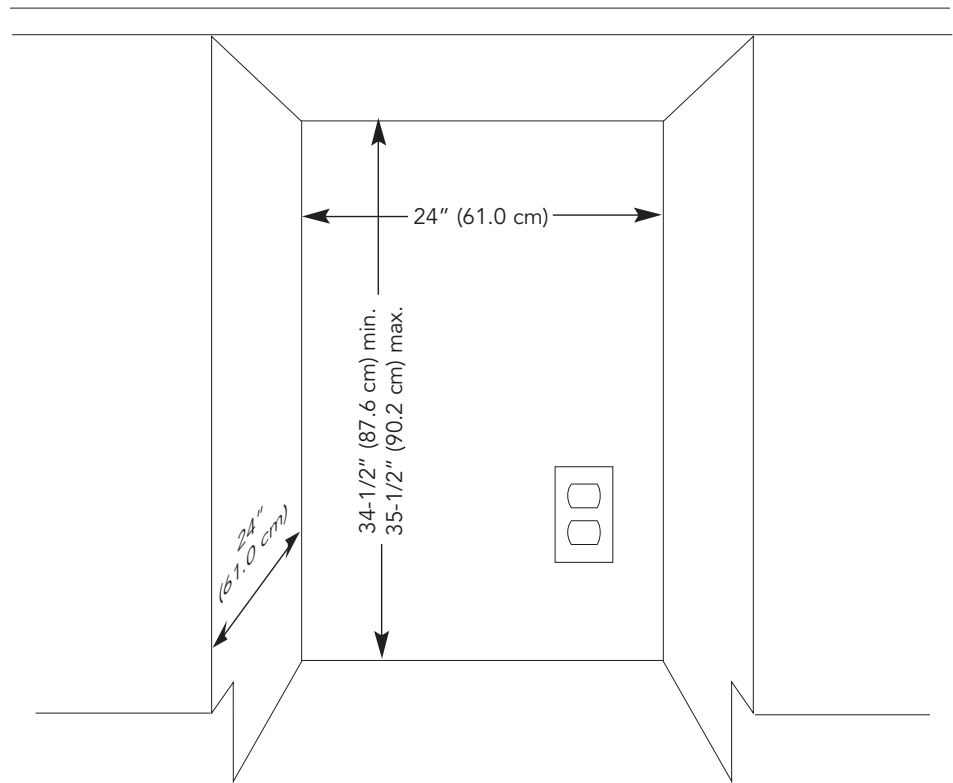


**VWC11240G**  
Professional



**FWC11240G**  
Custom Panel

See **Custom Panels** section for more information and additional specifications.



#### All models

Cutout width	24" (61.0 cm)
Cutout height	34-1/2" (87.6 cm) min. to 35-1/2" (90.2 cm) max.
Cutout depth	24" (61.0 cm)





## ★ Installation Notes & Accessories

### Handle Kits

- For use with custom panel 24"W. wine cellar
- For use on locally supplied custom panels
- Handles allow custom panel products to coordinate with other Professional products
- Kit includes one handle and installation hardware

Model	Description	Approx. ship wt. lbs. (kg)
PHK30-SS	Professional handle (Stainless Steel)	6 (2.7)

### Compliance Information



### WARRANTY SUMMARY\*

- Three-year full warranty—complete unit
- Six-year full warranty—sealed refrigeration system (includes compressor, condenser, dryer/strainer, evaporator, and connecting tubing)
- Twelve-year limited warranty—sealed refrigeration system
- Ninety-day limited warranty—cosmetic parts such as glass, painted, and decorative items

\*For complete warranty see *Use & Care Guide*. Warranty valid on Viking products shipped within the United States and Canada.

