



OUTDOOR—REFRIGERATION

Undercounter/Freestanding 24"W. Refrigerator



Standard Features & Accessories

All models include

- Agency certified for outdoor use
- Electronic controls with digital temperature readout
 - Inside temperature can be adjusted from 33 – 39°F
 - Factory set at 34°F
 - Sabbath mode
 - Temperature can be displayed in either Fahrenheit or Celsius
- Capacity—5.3 cu. ft. (150.0 L)
- Two full-extension adjustable wire shelves
 - 75 lbs. capacity
 - Removable and adjustable
- Solid doors with keyed door lock
- LED display lighting
- Forced air cooling system with powerful 700 BTU compressor
- Tru-Flush™ design allows unit to fit flush in 24" deep cutout
- Energy Star qualified
- Undercounter or freestanding installation
- Self-closing door
- Super quiet 32-39 db sound rating
- Stainless steel kickplate
- Adjustable leveling legs
- Must be ordered right or left hinge (As you face unit, RIGHT has hinge on right side and handle on left side; LEFT has hinge on left side and handle on right side.)

Model Options



VRCO1240D
Professional

FINISH DETAILS FOR VRCO MODELS

- Solid door
 - Stainless Steel (SS)
 - Stainless Steel interior
 - Finish codes designate door front. Stainless steel handle with chrome-plated brackets and stainless steel exterior cabinet.

ORDERING INSTRUCTIONS

First specify model number, then specify hinge preference ("R" for right or "L" for left), and then color code (VRCO1240DRSS).





OUTDOOR—REFRIGERATION

Undercounter/Freestanding 24"W. Refrigerator



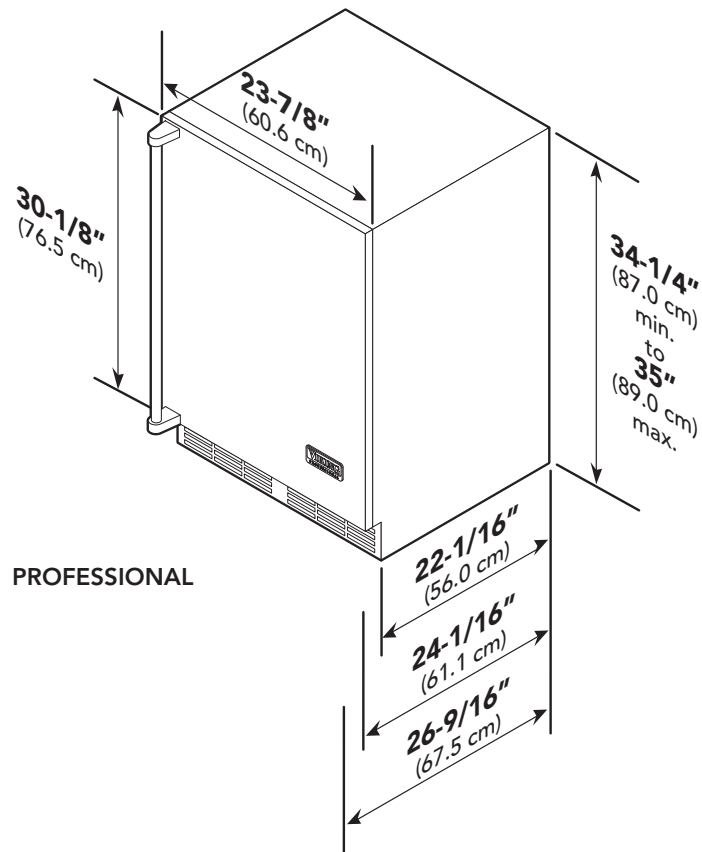
★ Please see
Installation Notes &
Accessories
for important
information,
including handle
kits.

Dimensions & Specifications

PRODUCT DIMENSIONS



VRCO1240D
Professional



VRCO1240D

23-7/8" (60.6 cm)

Overall height

34-1/4" (87.0 cm) min. to 35" (89.0 cm) max.

Overall depth (from rear)

To front of handle

26-9/16" (67.5 cm)

Approx. ship weight

215 lbs. (98.0 kg)





OUTDOOR—REFRIGERATION

Undercounter/Freestanding 24"W. Refrigerator

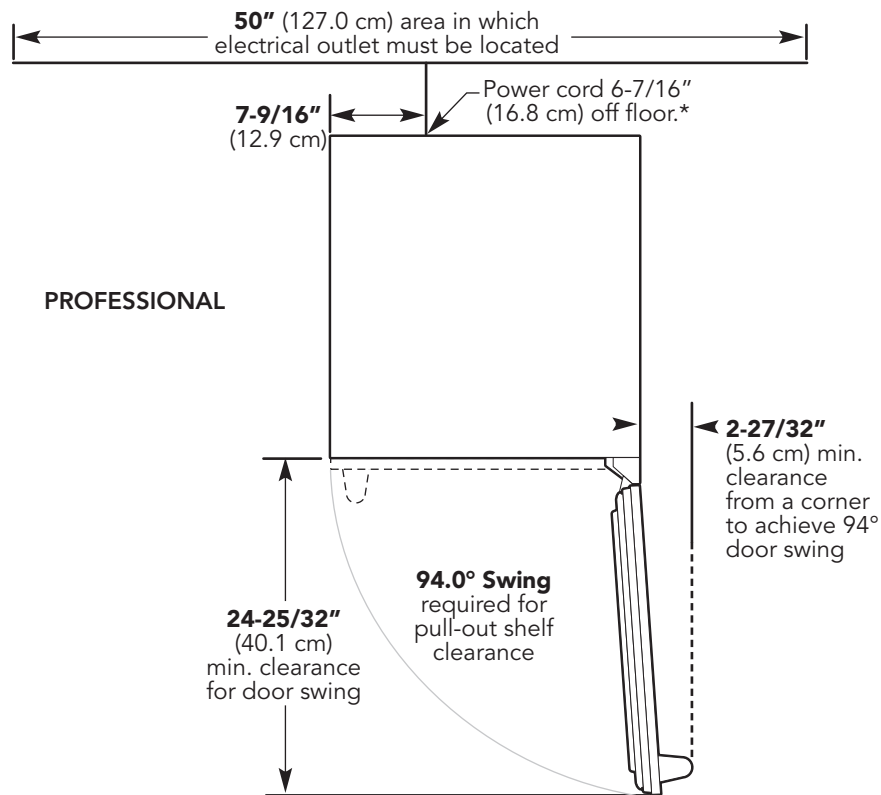


Dimensions & Specifications

DOOR SWING



VRCO1240D
Professional





OUTDOOR—REFRIGERATION

Undercounter/Freestanding 24"W. Refrigerator



UTILITY REQUIREMENTS



GAS

Not applicable



ELECTRICAL

- Three-wire cord with grounded three-prong plug attached to product
- 115V/60 Hz; 15 amp dedicated circuit
- Maximum amp usage—3.0



PLUMBING

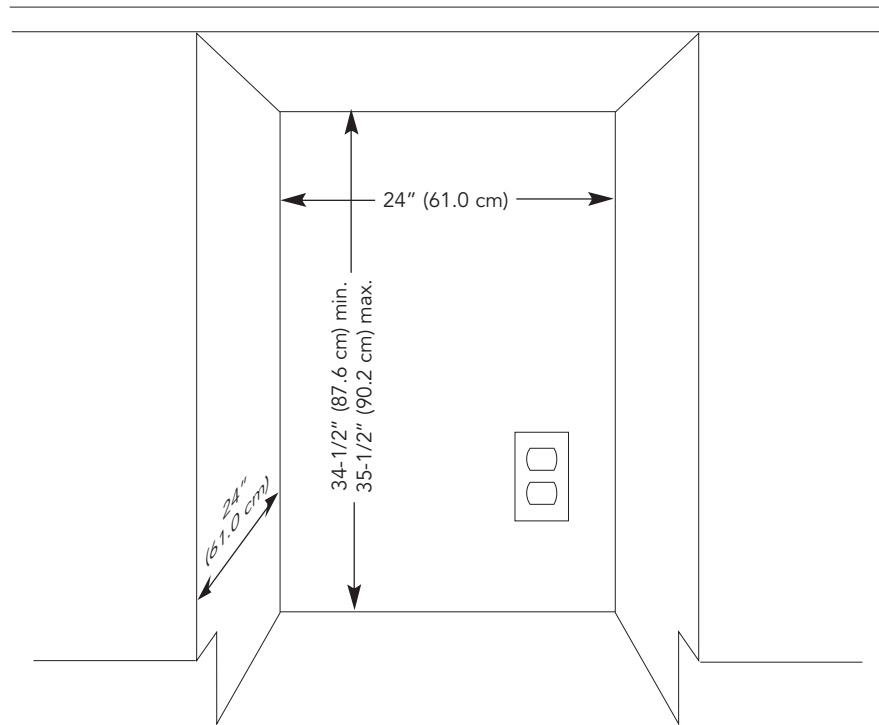
Not applicable

Installation Requirements

ACCESS REQUIREMENTS



VRCO1240D
Professional



All models

Cutout width	24" (61.0 cm)
Cutout height	34-1/2" (87.6 cm) min. to 35-1/2" (90.2 cm) max.
Cutout depth	24" (61.0 cm)





OUTDOOR—REFRIGERATION

Undercounter/Freestanding 24"W. Refrigerator



★ Installation Notes & Accessories

Stainless Steel Cabinetry-Bases

- Stainless Steel (SS)
- For use with 24"W. Viking outdoor refrigeration products
- See individual product pages (storage section) for more information and additional specifications

Model	Description	Approx. ship wt. lbs. (kg)
VURO3200	Base for 24"W outdoor refrigerator	125 (56.7)

Stainless Steel Cabinetry-Oven Towers

- Stainless Steel (SS)
- For installation of 24" refrigerator with oven
- See individual product pages (storage section) for more information and additional specifications

Model	Description	Approx. ship wt. lbs. (kg)
VERO3200	32"W. tower (for 24"W. refrigerator + smoker oven)	271 (122.9)
VGRO3200	32"W. tower (for 24"W. refrigerator + gas oven)	271 (122.9)

Compliance Information



WARRANTY SUMMARY*

- One-year full warranty—complete unit
- Five-year limited warranty—sealed refrigeration system (includes compressor, condenser, dryer/strainer, evaporator, and connecting tubing)
- Ninety-day limited warranty—cosmetic parts such as glass, painted items, and decorative items

*For complete warranty see *Use & Care Guide*. Warranty valid on Viking products shipped within the United States and Canada.

