



REFRIGERATION

Undercounter/Freestanding 24"W. Beverage Center



Standard Features & Accessories

All models include

- Electronic controls with digital temperature readout
 - Inside temperature can be adjusted from 36 – 48°F
 - Factory set at 42°F
 - Sabbath mode
 - Temperature can be displayed in either Fahrenheit or Celsius
- Capacity—5.3 cu. ft. (150.0 L)
- One full-extension wire shelf
 - 75 lbs. capacity
 - Removable and adjustable
- Two full-extension wine shelves
 - Accommodate 16 bottles of wine
 - Shelves can be removed and adjusted to store large bottles
- Dual pane and argon-filled Low-E energy efficient glass doors
- LED display lighting
- Forced air cooling system with powerful 700 BTU compressor
- Tru-Flush™ design allows unit to fit flush in 24" deep cutout
- Undercounter or freestanding installation
- Self-closing door
- Super quiet 32-39 db sound rating
- Black kickplate
- Must be ordered right or left hinge (As you face unit, RIGHT has hinge on right side and handle on left side; LEFT has hinge on left side and handle on right side.)

Model Options



**VBCI1240G
Professional**

- FINISH DETAILS FOR VBCI MODELS**
- Clear glass doors
 - Stainless Steel (SS)—stainless steel frame around large window door, stainless steel handle with chrome-plated brackets, and stainless steel exterior cabinet.
 - Stainless steel interior



**FBCI1240G
Custom Panel**

- FINISH DETAILS FOR FBCI MODELS**
- Clear glass doors.
 - Stainless steel interior
 - Handle not included—opt for custom handle, or purchase a Viking Professional Series handle kit (see **Installation Notes & Accessories**).
 - Accepts 3/4"-thick custom wood frame.
 - See **Custom Panels** section for more information and additional specifications.

ORDERING INSTRUCTIONS

First specify model number, then specify hinge preference ("R" for right or "L" for left), and then color code (VBCI1240GRSS).





REFRIGERATION

Undercounter/Freestanding 24"W. Beverage Center



★ Please see
Installation Notes &
Accessories
for important
information,
including handle
kits.

Dimensions & Specifications

PRODUCT DIMENSIONS

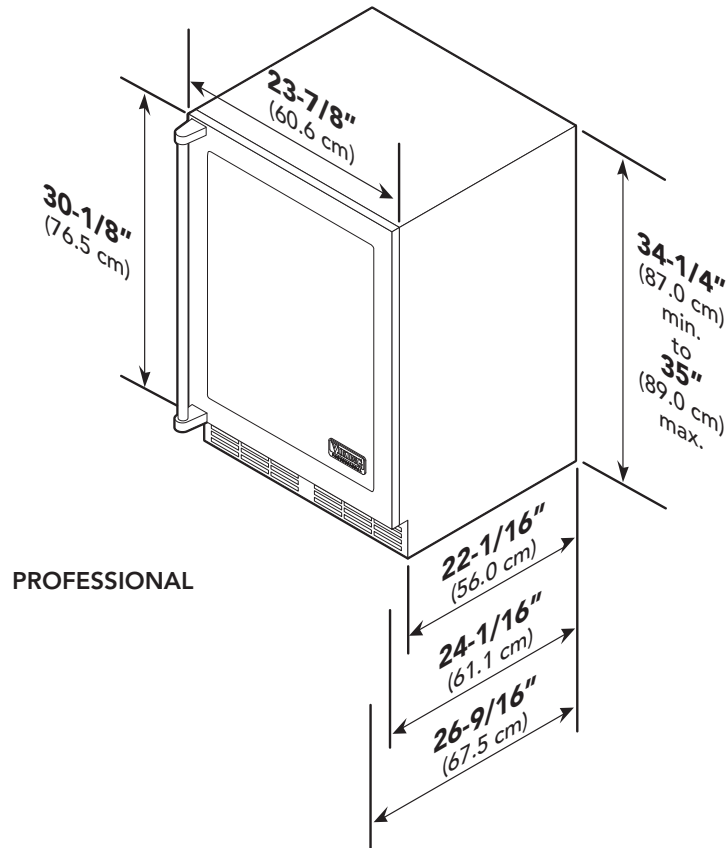


VBCI1240G
Professional



FBCI1240G
Custom Panel

See **Custom Panels** section for
more information and additional
specifications.



	VBCI1240G	FBCI1240G
Overall width	23-7/8" (60.6 cm)	
Overall height	34-1/4" (87.0 cm) min. to 35" (89.0 cm) max.	
Overall depth (from rear)		
To front of handle	26-9/16" (67.5 cm)	Varies
Approx. ship weight	215 lbs. (98.0 kg)	





REFRIGERATION

Undercounter/Freestanding 24"W. Beverage Center



Dimensions & Specifications

DOOR SWING

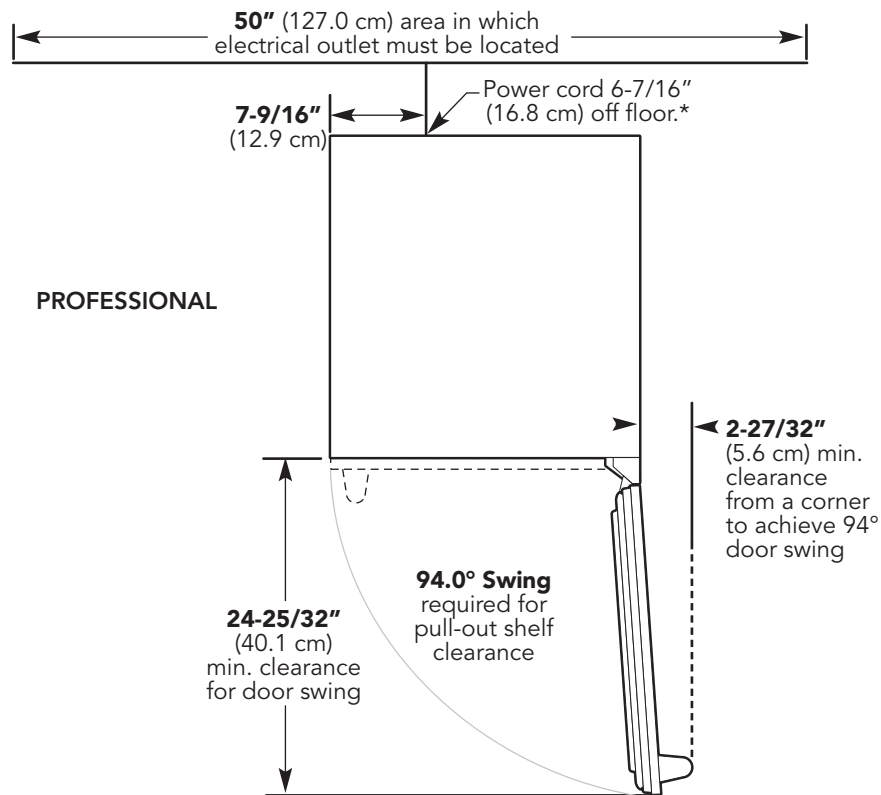


VBCI1240G
Professional



FBCI1240G
Custom Panel

See **Custom Panels** section for more information and additional specifications.





REFRIGERATION

Undercounter/Freestanding 24"W. Beverage Center



UTILITY REQUIREMENTS



GAS
Not applicable



ELECTRICAL

- Three-wire cord with grounded three-prong plug attached to product
- 115V/60 Hz; 15 amp dedicated circuit
- Maximum amp usage—3.0



PLUMBING
Not applicable

Installation Requirements

ACCESS REQUIREMENTS

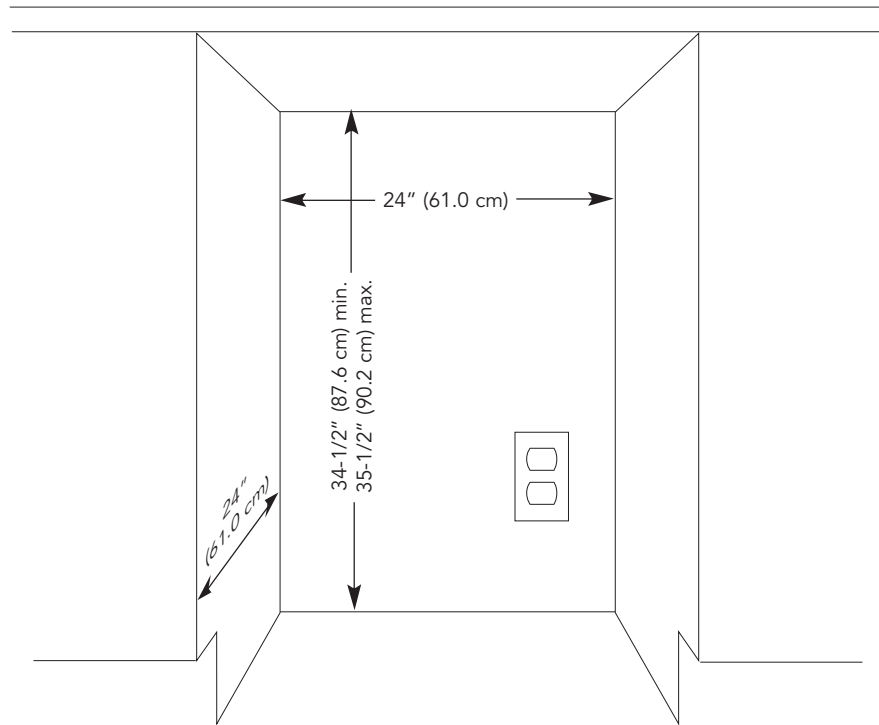


VBCI1240G
Professional



FBCI1240G
Custom Panel

See **Custom Panels** section for more information and additional specifications.



All models

Cutout width	24" (61.0 cm)
Cutout height	34-1/2" (87.6 cm) min. to 35-1/2" (90.2 cm) max.
Cutout depth	24" (61.0 cm)





REFRIGERATION

Undercounter/Freestanding 24"W. Beverage Center



★ Installation Notes & Accessories

Handle Kits

- For use with custom panel 24"W. beverage center
- For use on locally supplied custom panels
- Handles allow custom panel products to coordinate with other Professional products
- Kit includes one handle and installation hardware

Model	Description	Approx. ship wt. lbs. (kg)
PHK30-SS	Professional handle (Stainless Steel)	6 (2.7)

Compliance Information



WARRANTY SUMMARY*

- Three-year full warranty—complete unit
- Six-year full warranty—sealed refrigeration system (includes compressor, condenser, dryer/strainer, evaporator, and connecting tubing)
- Twelve-year limited warranty—sealed refrigeration system
- Ninety-day limited warranty—cosmetic parts such as glass, painted items, and decorative items

*For complete warranty see *Use & Care Guide*. Warranty valid on Viking products shipped within the United States and Canada.

