



# REFRIGERATION

## Undercounter/Freestanding 15"W. Beverage Center



### Standard Features & Accessories

#### All models include

- Electronic controls with digital temperature readout
  - Inside temperature can be adjusted from 36 – 48°F
  - Factory set at 42°F
  - Sabbath mode
  - Temperature can be displayed in either Fahrenheit or Celsius
- Capacity—3.0 cu. ft. (84.9 L)
- One full-extension wire shelf
  - 75 lbs. capacity
  - Removable and adjustable
- Two full-extension wine shelves
  - Accommodate 8 bottles of wine
  - Shelves can be removed and adjusted to store large bottles
- Dual pane and argon-filled Low-E energy efficient glass doors
- LED display lighting
- Forced air cooling system with powerful 700 BTU compressor
- Tru-Flush™ design allows unit to fit flush in 24" deep cutout
- Undercounter or freestanding installation
- Self-closing door
- Super quiet 32-39 db sound rating
- Black kickplate
- Adjustable leveling legs
- Must be ordered right or left hinge (As you face unit, RIGHT has hinge on right side and handle on left side; LEFT has hinge on left side and handle on right side.)

### Model Options



**VBCI1150G**  
Professional

- FINISH DETAILS FOR VBCI MODELS**
- Clear glass doors
    - Stainless Steel (SS)—stainless steel frame around large window door, stainless steel handle with chrome-plated brackets, and stainless steel exterior cabinet
    - Stainless steel interior



**FBCI1150G**  
Custom Panel

- FINISH DETAILS FOR FBCI MODELS**
- Clear glass doors
  - Stainless steel interior
  - Handle not included—opt for custom handle, or purchase a Viking Professional Series handle kit (see **Installation Notes & Accessories**).
  - Accept 3/4"-thick custom wood frame
  - See **Custom Panels** section for more information and additional specifications.

#### ORDERING INSTRUCTIONS

First specify model number, then specify hinge preference ("R" for right or "L" for left), and then color code (VBCI1150GRSS).





# REFRIGERATION

## Undercounter/Freestanding 15"W. Beverage Center



★ Please see **Installation Notes & Accessories** for important information, including handle and trim kits.

### Dimensions & Specifications

#### PRODUCT DIMENSIONS

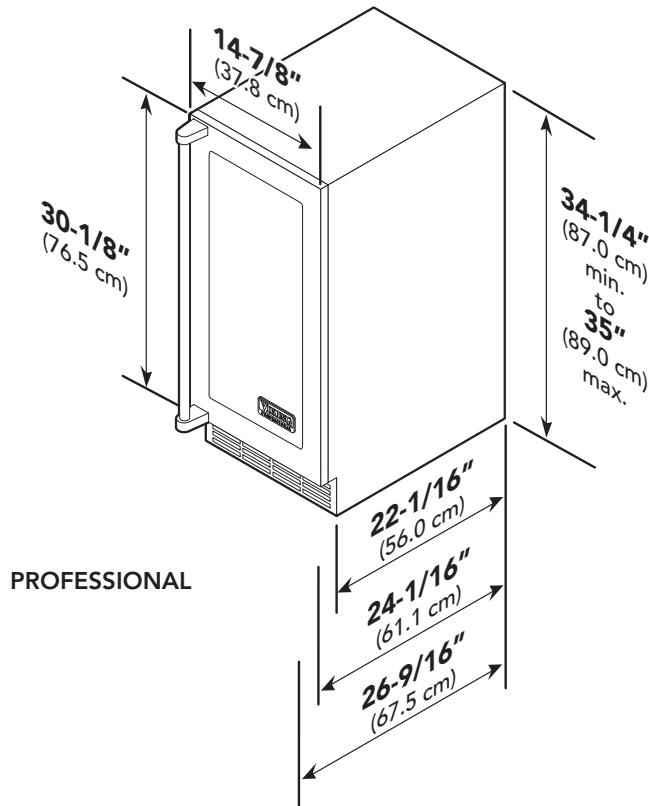


**VBCI1150G**  
Professional



**FBCI1150G**  
Custom Panel

See **Custom Panels** section for more information and additional specifications.



PROFESSIONAL

	VBCI1150G	FBCI1150G
Overall width	14-7/8" (37.8 cm)	
Overall height	34-1/4" (87.0 cm) min. to 35" (89.0 cm) max.	
Overall depth (from rear)		
To front of handle	26-9/16" (67.5 cm)	Varies
Approx. ship weight	175 lbs. (79 kg)	





# REFRIGERATION

## Undercounter/Freestanding 15"W. Beverage Center



### Dimensions & Specifications

#### DOOR SWING

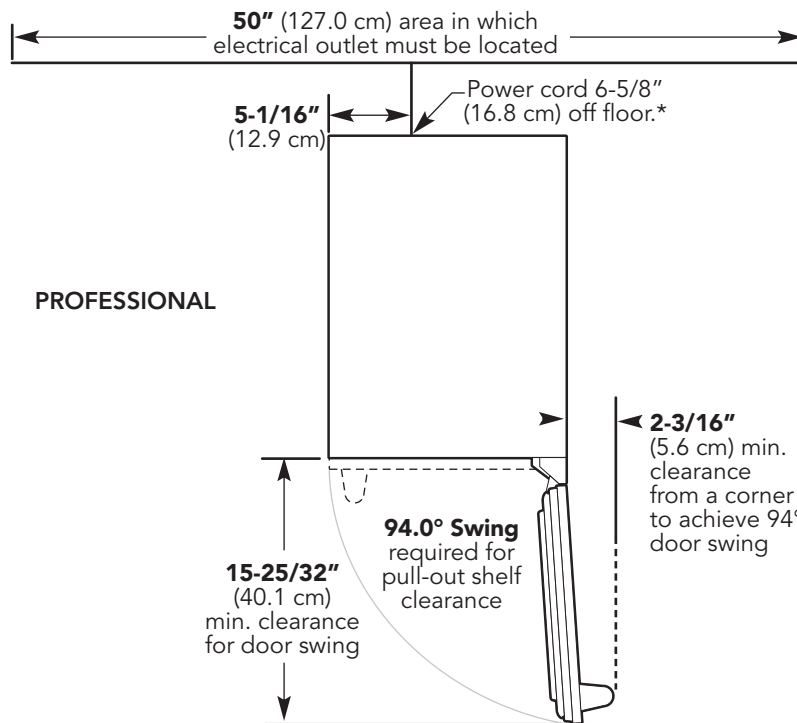


VBC11150G  
Professional



FBC11150G  
Custom Panel

See **Custom Panels** section for more information and additional specifications.





# REFRIGERATION

## Undercounter/Freestanding 15"W. Beverage Center



### UTILITY REQUIREMENTS



**GAS**  
Not applicable



- ELECTRICAL**
- Three-wire cord with grounded three-prong plug attached to product
  - 115V/60 Hz; 15 amp dedicated circuit
  - Maximum amp usage—3.0



**PLUMBING**  
• Not applicable

## Installation Requirements

### ACCESS REQUIREMENTS

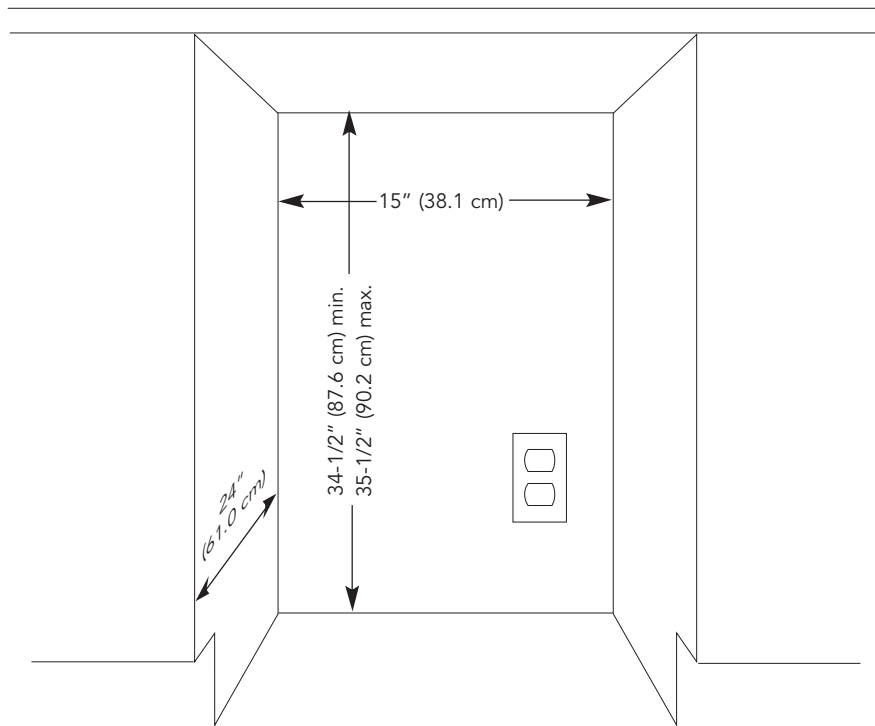


**VBC11150G**  
Professional



**FBC11150G**  
Custom Panel

See **Custom Panels** section for more information and additional specifications.



#### All models

Cutout width	15" (38.1 cm)
Cutout height	34-1/2" (87.6 cm) min. to 35-1/2" (90.2 cm) max.
Cutout depth	24" (61.0 cm)





# REFRIGERATION

## Undercounter/Freestanding 15"W. Beverage Center



### ★ Installation Notes & Accessories

#### Handle Kits

- For use with custom panel 15"W. beverage center
- For use on locally supplied custom panels
- Handles allow custom panel products to coordinate with other Professional products
- Kit includes one handle and installation hardware

Model	Description	Approx. ship wt. lb. (kg)
PHK30-SS	Professional handle (Stainless Steel)	6 (2.7)

#### Compliance Information



#### WARRANTY SUMMARY\*

- Three-year full warranty—complete unit
- Six-year full warranty—sealed refrigeration system (includes compressor, condenser, dryer/strainer, evaporator, and connecting tubing)
- Twelve-year limited warranty—sealed refrigeration system
- Ninety-day limited warranty—cosmetic parts such as glass, painted items, and decorative items

\*For complete warranty see *Use & Care Guide*. Warranty valid on Viking products shipped within the United States and Canada.

