



REFRIGERATION

Undercounter/Freestanding 24"W. Refrigerated Drawer



Standard Features & Accessories

All models include

- Electronic controls with digital temperature readout
 - Inside temperature can be adjusted from 33 – 39°F
 - Factory set at 34°F
 - Sabbath mode
 - Temperature can be displayed in either Fahrenheit or Celsius
- Capacity—5.3 cu. ft. (150.0 L)
- 200 lb. capacity full-extension drawer glides
- LED display lighting
- Forced air cooling system with powerful 700 BTU compressor
- Tru-Flush™ design allows unit to fit flush in 24" deep cutout
- Energy Star qualified
- Undercounter or freestanding installation
- Self-closing door
- Super quiet 32-39 db sound rating
- Black kickplate
- Adjustable leveling legs

Model Options



**VRDI1240D
Professional**

- FINISH DETAILS FOR VRDI MODEL**
- Solid door—Stainless Steel (SS)
 - Finish code designates drawer fronts. Stainless steel handle with chrome-plated brackets, stainless steel exterior cabinet, and stainless steel interior.



**FRDI1240D
Custom Panel**

- FINISH DETAILS FOR FRDI MODEL**
- Stainless steel interior
 - Handle not included—opt for custom handle, or purchase a Viking Professional Series handle kit (see **Installation Notes & Accessories**).
 - Accepts 3/4" -thick custom wood panel
 - See **Custom Panels** section for more information and additional specifications.





REFRIGERATION

Undercounter/Freestanding 24"W. Refrigerated Drawer



★ Please see
Installation Notes &
Accessories
for important
information,
including pan sets
and dividers.

Dimensions & Specifications

PRODUCT DIMENSIONS

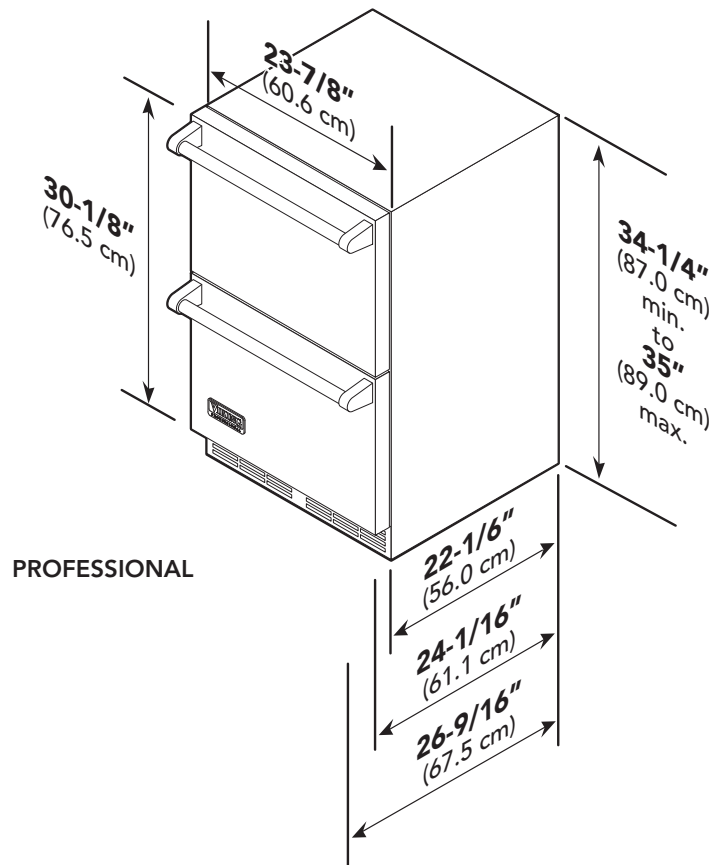


VRDI1240D
Professional



FRDI1240D
Custom Panel

See Custom Panels for more
information and additional
specifications.



	VRDI1240D	FRDI1240D
Overall width	23-7/8" (60.6 cm)	
Overall height	34-1/4" (87.0 cm) min. to 35" (89.0 cm) max.	
Overall depth (from rear)		
To front edge of handle	26-9/16" (67.5 cm)	Varies
With drawer fully extended	40" (102.0 cm)	
Approx. ship wt.	215 lbs. (98.0 kg)	





REFRIGERATION

Undercounter/Freestanding 24"W. Refrigerated Drawer



Dimensions & Specifications

DRAWER EXTENSION

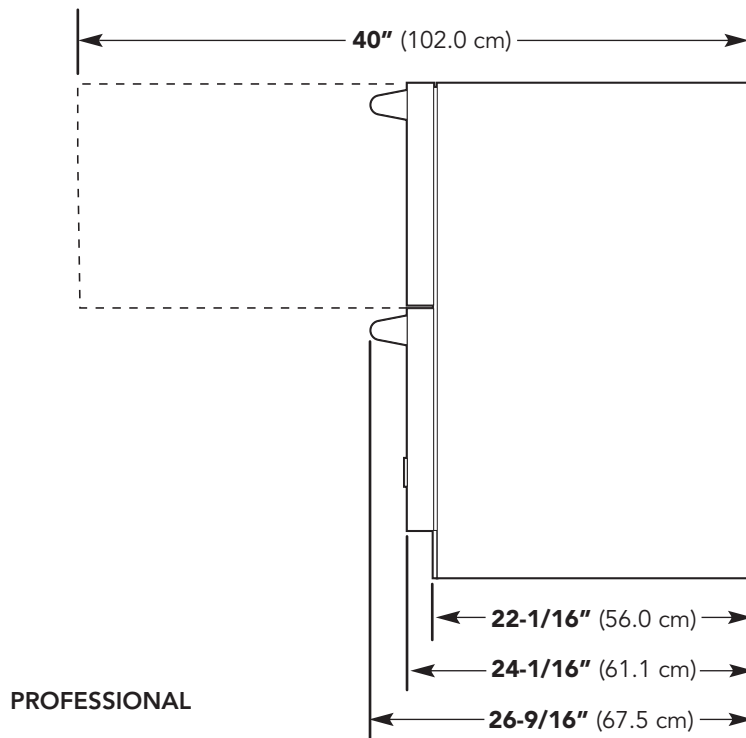


**VRDI1240D
Professional**



**FRDI1240D
Custom Panel**

See **Custom Panels** section for more information and additional specifications.





REFRIGERATION

Undercounter/Freestanding 24"W. Refrigerated Drawer



UTILITY REQUIREMENTS



GAS
Not applicable



ELECTRICAL

- Three-wire cord with grounded three-prong plug attached to product
- 115V/60 Hz; 15 amp dedicated circuit
- Maximum amp usage—3.0



PLUMBING
Not applicable

Installation Requirements

ACCESS REQUIREMENTS

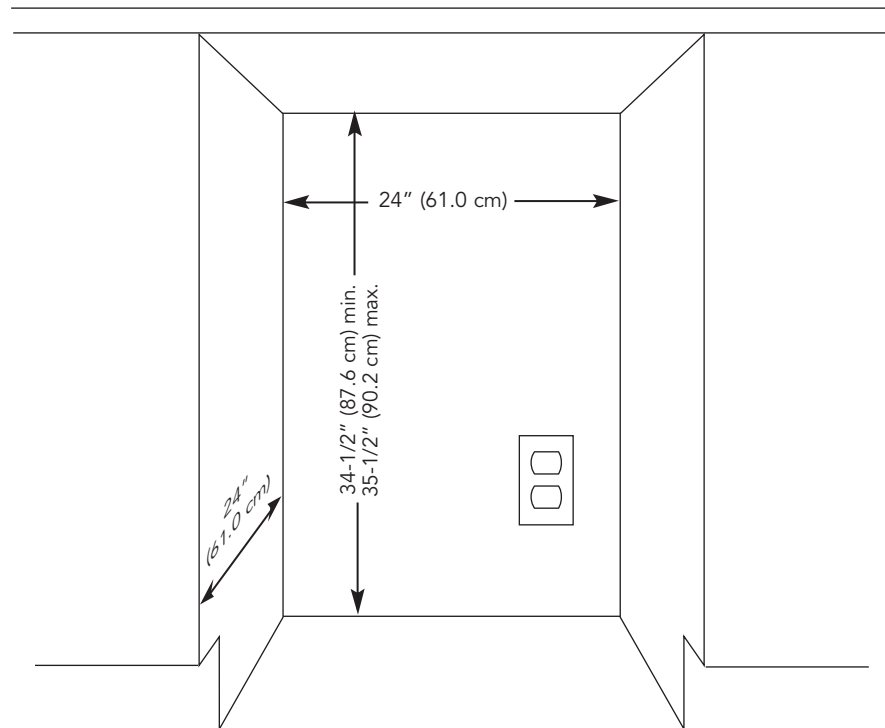


VRDI1240D
Professional



FRDI1240D
Custom Panel

See **Custom Panels** section for more information and additional specifications.



All models

Cutout width	24" (61.0 cm)
Cutout height	34-1/2" (87.6 cm) min. to 35-1/2" (90.2 cm) max.
Cutout depth	24" (61.0 cm)





REFRIGERATION
Undercounter/Freestanding
24"W. Refrigerated Drawer



★ Installation Notes & Accessories

Handle Kits

- For use with Custom Panel 24"W. refrigerated drawer

Model	Description	Approx. ship wt. lb. (kg)
PHK23-SS	Professional stainless steel handle kit for FRDI	5 (2.3)

Compliance Information



WARRANTY SUMMARY*

- Three-year full warranty—complete unit
- Six-year full warranty—sealed refrigeration system
- Twelve-year limited warranty—sealed refrigeration system
- Ninety-day limited—cosmetic parts such as glass, painted, and decorative items

*For complete warranty, see *Use & Care Guide*. Warranty valid on Viking products shipped within the United States and Canada.

