



# Range Hoods Vented

*Safety Information* ..... 2, 3

***Operating/Care and Cleaning Instructions***

Charcoal Filters ..... 5  
Grease Filters ..... 4  
Hood Lights..... 5  
Painted Surfaces ..... 5  
Stainless Steel Surfaces ..... 5  
Vent Controls ..... 4

***Installation Instructions*** .6-13

***Troubleshooting Tips*** ..... 14

***Consumer Support***

Consumer Support ..... 16  
Warranty ..... 15

**Owner's Manual  
and Installation  
Instructions**

JVE40

\*ENERGY STAR® labeled product



As an ENERGY STAR® partner, GE has determined that this product meets the ENERGY STAR® guidelines for energy efficiency.

***Write the model and serial numbers here:***

***Model #*** \_\_\_\_\_

***Serial #*** \_\_\_\_\_

Find these numbers on a label on the back wall of the hood.

# IMPORTANT SAFETY INFORMATION.

## READ ALL INSTRUCTIONS BEFORE USING.

---

### SAFETY PRECAUTIONS

---

**⚠ WARNING** – TO REDUCE THE RISK OF FIRE, ELECTRIC SHOCK OR INJURY TO PERSONS, OBSERVE THE FOLLOWING:

- A. Use this unit only in the manner intended by the manufacturer. If you have questions, contact the manufacturer.
- B. Before servicing or cleaning unit, switch power off at service panel and lock the service disconnecting means to prevent power from being switched on accidentally. When the service disconnecting means cannot be locked, securely fasten a prominent warning device, such as a tag, to the service panel.
- C. Do not use this unit with any solid-state speed control device.
- D. This unit must be grounded.

**⚠ CAUTION** – FOR GENERAL VENTILATING USE ONLY. DO NOT USE TO EXHAUST HAZARDOUS OR EXPLOSIVE MATERIALS AND VAPORS.

**⚠ WARNING** – TO REDUCE THE RISK OF INJURY TO PERSONS IN THE EVENT OF A RANGE TOP GREASE FIRE, OBSERVE THE FOLLOWING\*:

- A. SMOTHER FLAMES with a close-fitting lid, cookie sheet or metal tray, then turn off the burner. BE CAREFUL TO PREVENT BURNS. If the flames do not go out immediately, EVACUATE AND CALL THE FIRE DEPARTMENT.
- B. NEVER PICK UP A FLAMING PAN—You may be burned.
- C. DO NOT USE WATER, including wet dishcloths or towels—a violent steam explosion will result.
- D. Use an extinguisher ONLY if:
  - 1. You know you have a Class ABC extinguisher, and you already know how to operate it.
  - 2. The fire is small and contained in the area where it started.
  - 3. The fire department is being called.
  - 4. You can fight the fire with your back to an exit.

\*Based on "Kitchen Fire Safety" published by NFPA.

**⚠ WARNING** – TO REDUCE THE RISK OF A RANGE TOP GREASE FIRE:

- A. Never leave surface units unattended at high settings. Boilovers cause smoking and greasy spillovers that may ignite. Heat oils slowly on low or medium settings.
- B. Always turn hood **ON** when cooking on high heat or when flambéing food (i.e. Crepes Suzette, Cherries Jubilee, Peppercorn Beef Flambé).
- C. Clean ventilating fans frequently. Grease should not be allowed to accumulate on fan or filter.
- D. Use proper pan size. Always use cookware appropriate for the size of the surface element.

**⚠ WARNING** – TO REDUCE THE RISK OF FIRE, ELECTRIC SHOCK OR INJURY TO PERSONS, OBSERVE THE FOLLOWING:

- A. Installation work and electrical wiring must be done by qualified person(s) in accordance with all applicable codes and standards, including fire-rated construction.
- B. Sufficient air is needed for proper combustion and exhausting of gases through the flue (chimney) of fuel burning equipment to prevent back drafting. Follow the heating equipment manufacturer's guideline and safety standards such as those published by the National Fire Protection Association (NFPA), the American Society for Heating, Refrigeration and Air Conditioning Engineers (ASHRAE) and the local code authorities.
- C. When cutting or drilling into wall or ceiling, do not damage electrical wiring and other hidden utilities.
- D. Ducted fans must always be vented to the outdoors.

**⚠ WARNING** – TO REDUCE THE RISK OF FIRE AND TO PROPERLY EXHAUST AIR, BE SURE TO DUCT AIR OUTSIDE—DO NOT VENT EXHAUST AIR INTO SPACES WITHIN WALLS OR CEILINGS OR INTO ATTICS, CRAWL SPACES OR GARAGES.

**⚠ WARNING** – TO REDUCE THE RISK OF FIRE, USE ONLY METAL DUCTWORK.

- Do not attempt to repair or replace any part of your hood unless it is specifically recommended in this guide. All other servicing should be referred to a qualified technician.

---

READ AND FOLLOW THIS SAFETY INFORMATION CAREFULLY.

READ AND SAVE THESE INSTRUCTIONS

# INSTRUCTIONS DE SÉCURITÉ IMPORTANTES. LISEZ TOUTES LES INSTRUCTIONS AVANT D'UTILISER.

GEAppliances.com

## PRÉCAUTIONS EN MATIÈRE DE SÉCURITÉ

### **⚠ AVERTISSEMENT – POUR RÉDUIRE LE RISQUE D'INCENDIE, DE SECOUSSE ÉLECTRIQUE OU DE BLESSURE CORPORELLE, OBSERVEZ LES PRÉCAUTIONS SUIVANTES :**

- A. N'utilisez cet appareil que de la manière prévue par le fabricant. Si vous avez des questions, appelez le fabricant.
- B. Avant de réparer ou de nettoyer votre appareil, débranchez le courant au niveau du panneau de service et verrouillez les mécanismes de débranchement de service pour éviter tout branchement accidentel au courant. Si vous ne pouvez pas verrouiller les mécanismes de débranchement de service, attachez soigneusement un avertissement bien visible, comme une étiquette, au panneau de service.
- C. N'utilisez jamais cet appareil avec un mécanisme de réglage de la vitesse à semi-conducteurs.
- D. Cet appareil doit être bien mis à la terre.

### **⚠ ATTENTION – UNIQUEMENT À USAGE DE VENTILATION GÉNÉRALE. N'UTILISEZ JAMAIS POUR L'ÉCHAPPEMENT DE MATIÈRES ET DE VAPEURS EXPLOSIVES.**

### **⚠ AVERTISSEMENT – POUR RÉDUIRE LE RISQUE DE BLESSURE CORPORELLE SI DE LA GRAISSE PREND FEU SUR LA SURFACE DE CUISSON DU FOUR, SUIVEZ LES INSTRUCTIONS SUIVANTES\* :**

- A. ÉTOUFFEZ LES FLAMMES avec un couvercle qui convient, une tôle à biscuits ou un plateau en métal, puis éteignez le brûleur. FAITES BIEN ATTENTION DE NE PAS VOUS BRÛLER. Si les flammes ne s'éteignent pas immédiatement, SORTEZ ET APPELEZ LES POMPIERS.
- B. NE DÉPLACEZ JAMAIS UNE CASSEROLE QUI FLAMBE – Vous pouvez vous brûler.
- C. N'UTILISEZ JAMAIS D'EAU, en particulier de serviette ou de chiffon mouillé – il se produira une explosion violente de vapeur brûlante.
- D. N'UTILISEZ UN EXTINCTEUR que si :
  - 1. Vous avez un extincteur de classe ABC et vous savez comment l'utiliser;
  - 2. Le feu est réduit et confiné à l'endroit où il a commencé;
  - 3. Vous avez déjà appelé les pompiers;
  - 4. Vous combattez les flammes en tournant le dos à une sortie.

\*Basé sur l'ouvrage intitulé «Kitchen Fire Safety» publié par la NFPA.

### **⚠ AVERTISSEMENT – RÉDUISEZ LE RISQUE D'UN FEU DE GRAISSE SUR LA SURFACE DE CUISSON DU FOUR :**

- A. Ne laissez jamais sans surveillance les unités de cuisson de surface à une température élevée. Le bouillonnement occasionne des débordements fumants et graisseux qui peuvent prendre feu. Chauffez à feu doux les substances huileuses, avec un réglage bas ou moyen.
- B. Mettez toujours la hotte en marche quand vous cuisinez à haute température ou quand vous faites flamber des aliments (p. ex. crêpes Suzette, cerises Jubilee, Bœuf flambé Peppercorn).
- C. Nettoyez les mécanismes de ventilation fréquemment. Il ne faut pas permettre une accumulation de graisse sur le ventilateur ou sur le filtre.
- D. Utilisez une casserole de bonne taille. Utilisez toujours un ustensile de cuisine qui convienne au diamètre de l'élément de cuisson.

### **⚠ AVERTISSEMENT – POUR RÉDUIRE LE RISQUE D'INCENDIE, DE SECOUSSE ÉLECTRIQUE OU DE BLESSURE CORPORELLE, OBSERVEZ LES PRÉCAUTIONS SUIVANTES :**

- A. Vous devez faire exécuter tous les travaux d'installation et de câblage électrique par une personne qualifiée, conformément à tous les codes et les normes en vigueur, en particulier ceux de construction relatifs aux incendies.
- B. Vous devez assez d'air pour avoir une bonne combustion et permettre l'évacuation des gaz par le conduit de cheminée du matériel de combustion du carburant, afin d'éviter tout retour d'air. Suivez les directives du fabricant de matériel de combustion et les normes de sécurité comme celles publiées par la National Fire Protection Association (NFPA), l'American Society for Heating, Refrigeration and Air Conditioning Engineers (ASHRAE), ainsi que les modalités des codes locaux.
- C. Si vous faites un trou ou une ouverture dans un mur ou un plafond, n'endommagez pas les fils électriques et les autres installations cachées de service public.
- D. Vous devez toujours alimenter les ventilateurs dans les conduits en air en provenance de l'extérieur.

### **⚠ AVERTISSEMENT – POUR RÉDUIRE LE RISQUE D'INCENDIE ET ÉVACUER ADÉQUATEMENT L'AIR, ASSUREZ-VOUS DE FAIRE DÉBOUCHER LA CONDUITE D'AIR À L'EXTÉRIEUR—NE VENTILEZ PAS L'AIR ÉVACUÉ DANS DES ESPACES COMPRIS À L'INTÉRIEUR DE MURS, D'UN PLAFOND, D'UN GRENIER, D'UN VIDE SANITAIRE OU D'UN GARAGE.**

### **⚠ AVERTISSEMENT – POUR RÉDUIRE LE RISQUE D'INCENDIE, N'UTILISEZ QUE DES CONDUITS EN MÉTAL.**

- N'essayez jamais de remplacer ou de réparer un élément de votre hotte si le présent manuel ne le recommande pas expressément. Tout autre entretien doit être effectué par un technicien qualifié.

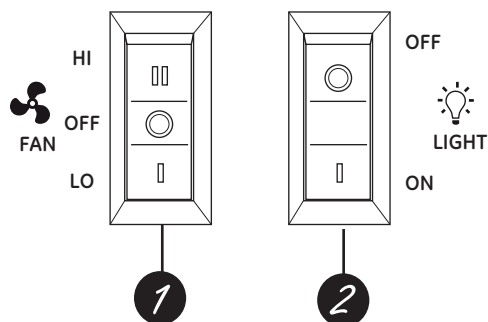
**LISEZ ET SUIVEZ ATTENTIVEMENT CES INSTRUCTIONS.**

**LISEZ ET CONSERVEZ CES INSTRUCTIONS**

## Using the hood controls.

Throughout this manual, features and appearance may vary from your model.

### Rocker Switch Controls



#### 1 FAN Control

Press the rocker switch at the top to turn the fan on **HI** and at the bottom to turn it on **LOW**. The center position is **OFF**.

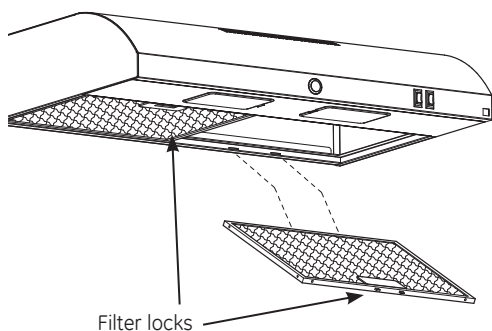
Continuous use of the fan system while cooking helps keep the kitchen comfortable and less humid. It also reduces cooking odors and soiling moisture that create a frequent need for cleaning.

#### 2 LIGHT Control

Press the rocker switch at the bottom to turn the light **ON** while cooking. Press the rocker switch at the top to turn the light **OFF**.

## Care and cleaning of the vent hood.

Be sure electrical power is off and all surfaces are cool before cleaning or servicing any part of the vent hood.



If it ever becomes necessary to replace the metal grease filters, they may be ordered from your GE supplier.

### Reusable Metal Grease Filters

The hood has 2 metal reusable grease filters.

The metal filters trap grease released by foods on the cooktop. They also help prevent flaming foods on the cooktop from damaging the inside of the hood.

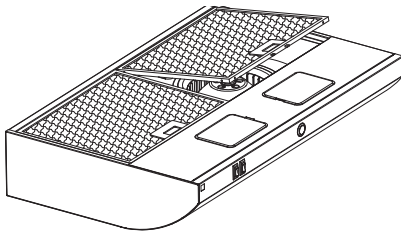
For this reason, the filters must **ALWAYS** be in place when the hood is used. The grease filters should be cleaned once a month, or as needed.

**To remove**, press the filter locks back and pull the filters down and out.

**To replace**, insert the rear filter tabs in the frame slots at the back of the opening. Push the filters up and lock them into place.

**To clean the grease filters**, soak them and then swish them around in hot water and detergent. Don't use ammonia or ammonia products because they will darken the metal. Do not use abrasives or oven cleaners. Light brushing can be used to remove embedded dirt. Rinse, shake and let them dry before replacing. **They may also be cleaned in an automatic dishwasher.**

**NOTE:** Before cleaning, make sure the charcoal filters, if present, are unclipped and removed. See the Charcoal Filters section.



The charcoal filters are clipped inside of each reusable metal grease filter.

## Charcoal Filters (on some models)

**The charcoal filters cannot be cleaned. They must be replaced.**

Order Kit no. WB02X11000.

This kit can be ordered from your GE supplier.

**NOTE:** Charcoal filters are not included with the hood. They must be ordered from your GE supplier.

If the model is not vented to the outside, the air will be recirculated through disposable charcoal filters that help remove smoke and odors.

The charcoal filters should be replaced when they are noticeably dirty or discolored (usually after 6–12 months, depending on hood usage).

**NOTE:** DO NOT rinse, or put charcoal filters in an automatic dishwasher.

**Note:** If the hood is installed for recirculation mode, it is not ENERGY STAR® certified.

## Painted Surfaces (on some models)

To clean the hood surface, use a hot, damp cloth with a mild detergent suitable for painted surfaces. Use a clean, hot, damp cloth to remove soap. Dry with a dry, clean cloth.

Do not use steel-wool pads or other abrasive cleaners. They will scratch the surface. Wipe with a clean, hot, damp cloth after using cleansers.

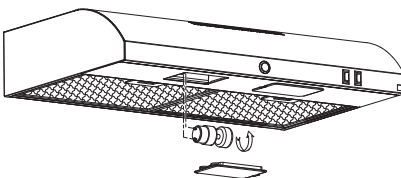
## Stainless Steel Surfaces (on some models)

**Do not use a steel wool pad; it will scratch the surface.**

To clean the stainless steel surface, use warm sudsy water or a stainless steel cleaner or polish. Always wipe the surface in the direction of the grain. Follow the cleaner instructions for cleaning the stainless steel surface.

To inquire about purchasing stainless steel appliance cleaner or polish, or to find the location of a dealer nearest you, please call our toll-free number:

**National Parts Center** 800.626.2002  
**GEAppliances.com**



## Hood Lights

### ⚠ WARNING:

**(Hg)** - Lamp contains Mercury. Manage in accord with disposal laws. See [www.lamprecycle.org](http://www.lamprecycle.org) or 1-800-435-4448.

For installation, handling and disposal precautions, refer to the fluorescent lamp packaging literature.

### ⚠ WARNING:

■ To reduce the risk of electric shock, do not connect electrical power to the hood without both lamps in place.

### ⚠ CAUTION:

- Do not touch the hood lamps when they are on. They may be hot enough to cause injury.
- To prevent injury from broken lamps, handle lamps carefully and do not operate hood without lamp lens covers in place.

This hood requires two Compact Fluorescent Lamps (CFL) with a GU24 base (included), maximum 15 watts.

### To change the lamps:

- 1 When installing or replacing a lamp, make sure that power to the light has been turned off. Never allow a lamp to come into contact with water.
- 2 Remove the lens cover by sliding it in a horizontal direction and pulling it down and away from the hood.
- 3 Grasp the lamp by the plastic base portion of the lamp and unscrew it.
- 4 Replace with energy saving GE 15W Compact Fluorescent Lamp with GU24 base GE Service Part: WB08X10064.



# Installation Instructions

# Range Hood

Questions? Call 800.GE.CARES (800.432.2737) or Visit our Website at: [GEAppliances.com](http://GEAppliances.com)

## BEFORE YOU BEGIN

Read these instructions completely and carefully.

- **IMPORTANT** – Save these instructions for local inspector's use.
- **IMPORTANT** – Observe all governing codes and ordinances.
- **Note to Installer** – Be sure to leave these instructions with the Consumer.
- **Note to Consumer** – Keep these instructions for future reference.
- **Skill level** – Installation of this appliance requires basic mechanical and electrical skills.
- **Completion time** – 1–3 hours
- Proper installation is the responsibility of the installer.
- Product failure due to improper installation is not covered under the Warranty.

## FOR YOUR SAFETY:

**⚠ WARNING** – Before beginning the installation, switch power off at service panel and lock the service disconnecting means to prevent power from being switched on accidentally. When the service disconnecting means cannot be locked, securely fasten a prominent warning device, such as a tag, to the service panel.

**⚠ WARNING** – TO REDUCE THE RISK OF FIRE, ELECTRIC SHOCK OR INJURY TO PERSONS, OBSERVE THE FOLLOWING:

- A. Installation work and electrical wiring must be done by qualified person(s) in accordance with all applicable codes and standards, including fire-rated construction.
- B. Sufficient air is needed for proper combustion and exhausting of gases through the flue (chimney) of fuel burning equipment to prevent back drafting. Follow the heating equipment manufacturer's guideline and safety standards such as those published by the National Fire Protection Association (NFPA), the American Society for Heating, Refrigeration and Air Conditioning Engineers (ASHRAE) and the local code authorities.
- C. When cutting or drilling into wall or ceiling, do not damage electrical wiring and other hidden utilities.
- D. Ducted fans must always be vented to the outdoors.

**⚠ WARNING** – TO REDUCE THE RISK OF FIRE AND TO PROPERLY EXHAUST AIR, BE SURE TO DUCT AIR OUTSIDE—DO NOT VENT EXHAUST AIR INTO SPACES WITHIN WALLS OR CEILINGS OR INTO ATTICS, CRAWL SPACES OR GARAGES.

## DUCTWORK REQUIREMENTS

**NOTE:** Read the ductwork sections only if you do not have existing ductwork. If you have existing ductwork, skip to the "Damage" section and proceed.

The venting system must exhaust to the outside.

This hood can be vented vertically through upper cabinets or horizontally through an outside wall. Ductwork is not included.

### Exhaust connection:

The hood exhaust has been designed to mate with standard 3¼" x 10" rectangular ducting.

If a 7" round duct is required, a rectangular-to-round transition adaptor must be used\*. **Do not use less than a 7" diameter duct.**

### Maximum duct length:

For satisfactory air movement, the total duct length of a 3¼" x 10" rectangular should not exceed 65 equivalent feet.

**NOTE:** It's important that ducting be installed using the most direct route and with as few elbows as possible. This ensures clear venting of exhaust and helps prevent blockages. **Also, make sure dampers swing freely and nothing is blocking the ducts.**

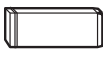
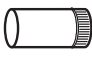
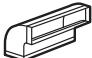



**Elbows, transitions, wall and roofcaps, etc.,** present additional resistance to airflow and are equivalent to a section of straight duct longer than their actual physical size. When calculating the total duct length, add the equivalent lengths of all transitions and adaptors plus the length of all straight duct sections. The charts on the following pages show you how to calculate total equivalent ductwork length using the approximate feet of equivalent length of some typical ducts.









\* **IMPORTANT:** If a rectangular-to-round transition adaptor is used, the bottom corners of the damper will have to be cut to fit, using the tin snips, in order to allow free movement of the damper. Equivalent lengths of duct pieces are based on actual tests and reflect requirements for good venting performance with any hood.

# Installation Instructions

## WORKSHEET - CALCULATE TOTAL EQUIVALENT DUCTWORK LENGTH

DUCT PIECES		EQUIVALENT LENGTH	NUMBER USED	=	TOTAL
	3 1/4" x 10" Rect., straight	1 Ft.	x ( )	=	Ft.
	7" Round, straight	1 Ft.	x ( )	=	Ft.
	3 1/4" x 10" Rect. 90° elbow	14 Ft.	x ( )	=	Ft.
	3 1/4" x 10" Rect. 45° elbow	8 Ft.	x ( )	=	Ft.
	3 1/4" x 10" Rect. 90° flat elbow	33 Ft.	x ( )	=	Ft.
	3 1/4" x 10" Rect. wall cap with damper	24 Ft. (18 ft. w/o damper)	x ( ) x ( )	= =	Ft. Ft.
Subtotal column 1				=	Ft.

**MAXIMUM DUCT LENGTH:** For satisfactory air movement, the total duct length of a 3 1/4" x 10" rectangular **should not exceed 65 equivalent feet.**

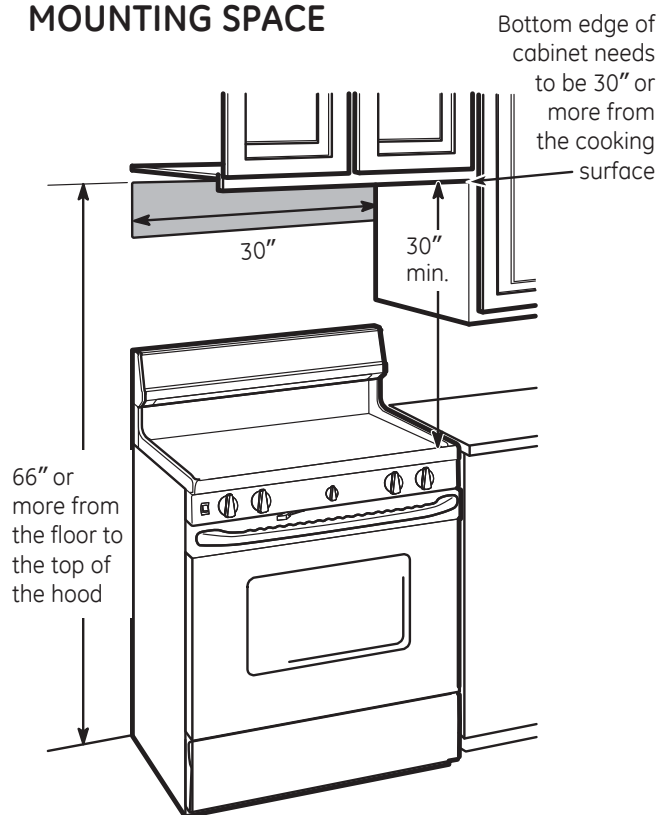
DUCT PIECES		EQUIVALENT LENGTH	NUMBER USED	=	TOTAL
	7" Round, 90° elbow	14 Ft.	x ( )	=	Ft.
	7" Round, 45° elbow	9 Ft.	x ( )	=	Ft.
	7" Round wall cap with damper	28 Ft. (21 ft. w/o damper)	x ( ) x ( )	= =	Ft. Ft.
	7" Round roof cap	39 Ft.	x ( )	=	Ft.
	7" Round to 3 1/4" x 10" rect. transition	1 Ft.	x ( )	=	Ft.
	7" Round to 3 1/4" x 10" rect. transition, 90° elbow	5 Ft.	x ( )	=	Ft.
Subtotal column 2				=	Ft.
Subtotal column 1				=	Ft.
<b>Total ductwork</b>				=	Ft.

# Installation Instructions

## DAMAGE-SHIPMENT/INSTALLATION

- If the unit is damaged in shipment, return the unit to the store in which it was bought for repair or replacement.
- If the unit is damaged by the customer, repair or replacement is the responsibility of the customer.
- If the unit is damaged by the installer (if other than the customer), repair or replacement must be made by arrangement between customer and installer.

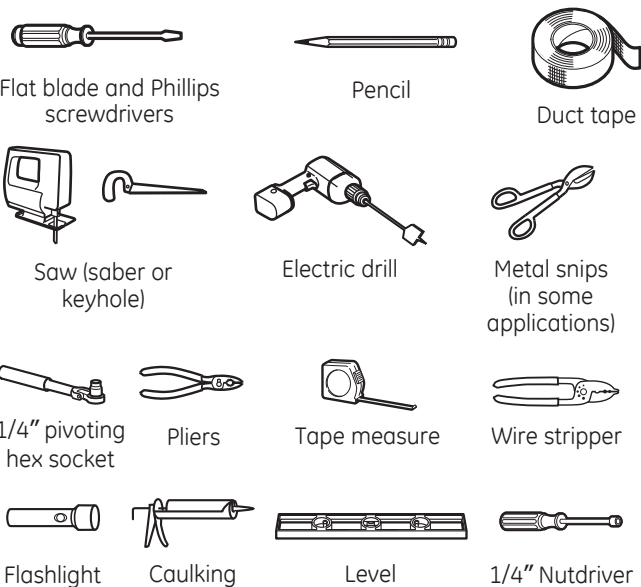
## MOUNTING SPACE





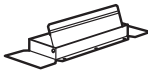

### NOTES:

- This range hood is for installation over ranges up to 30" wide.
- If you are going to vent your range hood to the outside, see the "Ducting Requirements" section for exhaust duct preparation.

## TOOLS YOU WILL NEED



## PARTS INCLUDED

PART		QUANTITY
	Metal Grease Filters	2
	Mounting Screws	4
	Exhaust Adaptor/Damper (for 3 1/4" x 10" rect. venting)	1
	Exhaust Adaptor Screws	1

## OPTIONAL ACCESSORIES

This kits can be ordered from your GE supplier.

	Charcoal Filters If recirculating order Kit no. WB02X11000
---	--

**Note:** If the hood is installed for recirculation mode, it is not ENERGY STAR® certified.



# Installation Instructions

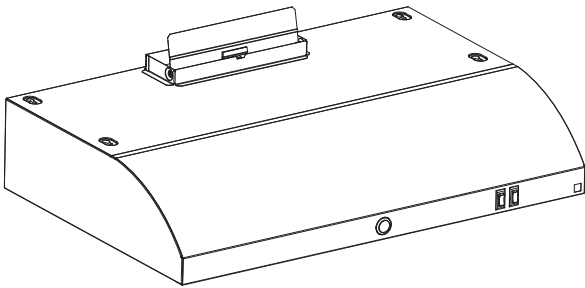
## 1 CHOOSE VENT OPTION

Determine the vent option that your installation will require from the following choices:

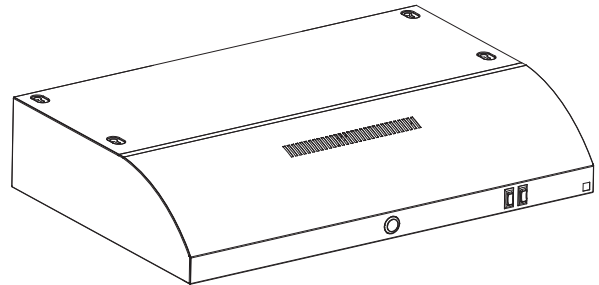
The outside vent exhaust option that your installation requires will determine the hood knockouts that you will use.

**IMPORTANT:** If the hood is to be installed in a recirculating, non-vented ductless manner, do not knock out any vent openings in the hood. Only an electrical access hole will be knocked out of the hood.

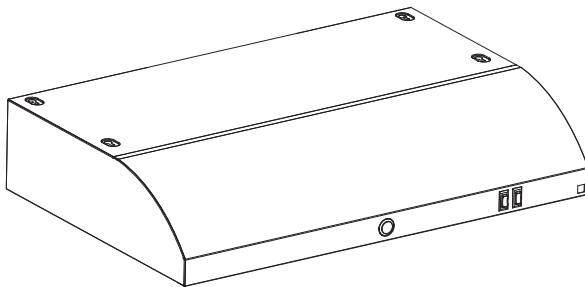
### A Outside top exhaust (Vertical duct— $3\frac{1}{4}$ " x 10" Rectangular)



### C Recirculating (Non-vented ductless—Optional)



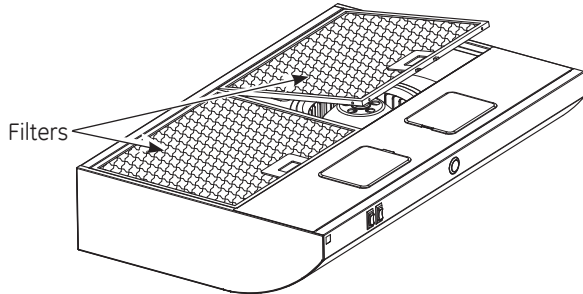
### B Outside rear exhaust (Horizontal duct— $3\frac{1}{4}$ " x 10" Rectangular)



# Installation Instructions

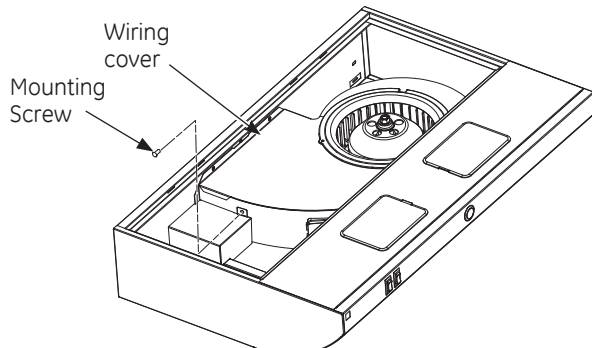
## 2 REMOVE FILTERS

Remove the protective shipping film from the edges of the metal grease filters. Press the filter locks back and lift the filters out. Set them aside.



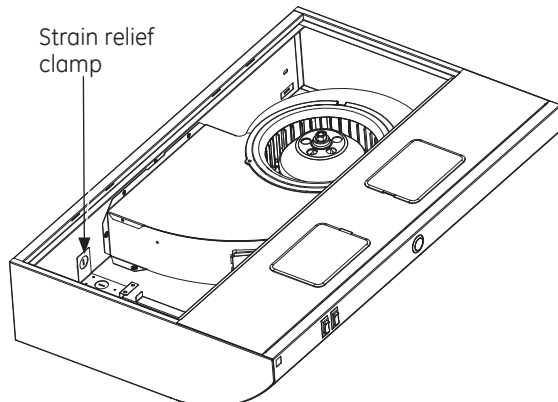
## 3 REMOVE WIRING COVER FROM THE JUNCTION BOX

Remove the wiring cover from inside the hood. Set the cover and its mounting screw aside.



## 4 REMOVE WIRING KNOCKOUT

Remove either the top or the back wiring knockout as needed and install an approved strain relief clamp.

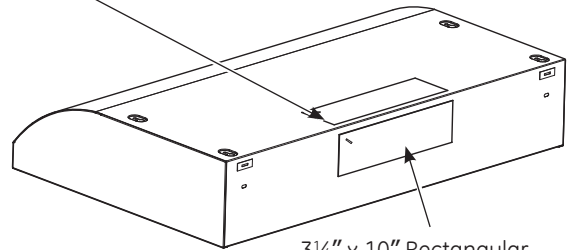


## 5 REMOVE DUCT KNOCKOUT(S)

If recirculating, non-vented ductless see note below and skip to Step 7 and proceed.

Using a flat blade screwdriver, remove the appropriate duct knockout(s) from the top or back of the hood.

**3¼" x 10" Rectangular vertical discharge.**  
Remove top rectangular duct knockout only.



**3¼" x 10" Rectangular horizontal discharge.**  
Remove rear rectangular duct knockout only.

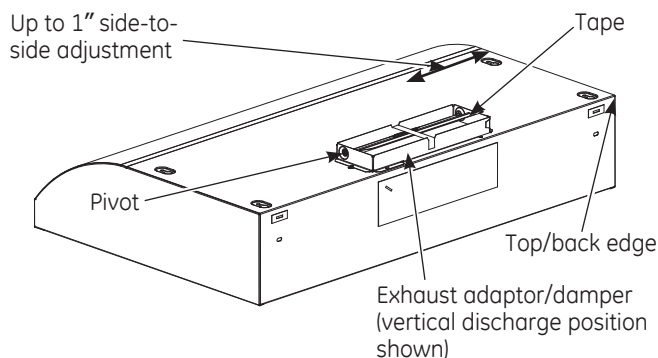
**NOTE:** If the hood is to be installed in a recirculating, non-vented ductless manner, order charcoal filters, kit number WB02X11000 for 30" hood models. These kits can be ordered from your GE supplier. **Skip to Step 7C and proceed.**

**NOTE:** If the hood is installed for recirculation mode, it is not ENERGY STAR® certified.

# Installation Instructions

## 6 FOR 3 1/4" x 10" RECTANGLE DUCTED DISCHARGE INSTALLATIONS:

Attach exhaust **adaptor/damper** over knockout opening with two exhaust adaptor screws. Make sure damper **pivot** is nearest to **top/back edge** of hood. Remove **tape** from damper flap.



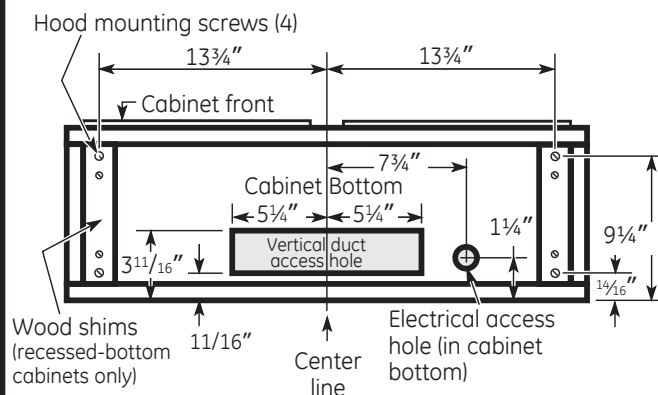
**NOTE:** The exhaust adaptor/damper can be installed up to 1 inch on either side of the hood center to accommodate off-center ductwork. In extreme off-center installations, one end of the duct connector may need to be trimmed to clear the electrical cable clamp.

## 7 MARK HOLES

Select the vent option that your installation will require and proceed to that section:

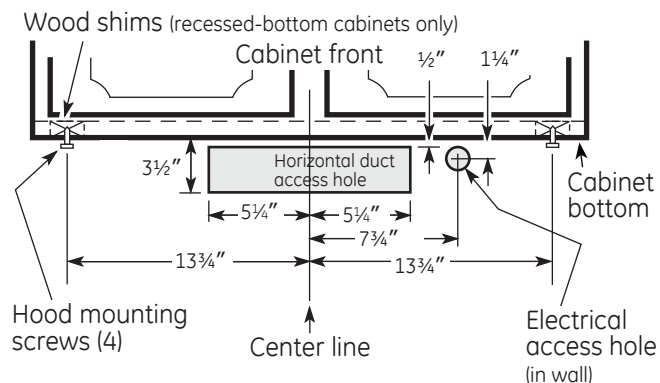
### A. Outside top exhaust (Vertical duct-3 1/4" x 10" Rectangular)

- Use the diagram or the hood as a template and mark the locations on the cabinet for ductwork, electrical wiring and keyhole screw slots.



### B. Outside rear exhaust (Horizontal duct-3 1/4" x 10" Rectangular)

- Use the diagram or the hood as a template and mark the locations on the cabinet for ductwork, electrical wiring and keyhole screw slots.



### C. Recirculating (non-vented ductless)

- Use the hood as a template and mark the locations on the cabinet for the electrical wiring and keyhole screw slots.
- Since the hood is to be recirculated (not to be vented outside), do not cut out any vent openings in the wall or cabinet bottom.

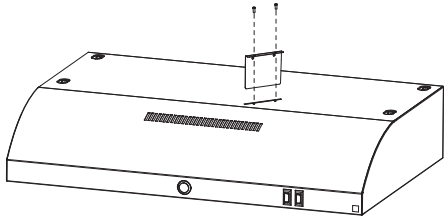
# Installation Instructions

## 8 CHOOSE VENTING OPTION

The hood can be set to vent outside or to recirculate air back into the kitchen.

- **To vent to the outside**, refer to steps 5 and 6.
- **To recirculate air into the kitchen**, remove two screws securing the duct block off plate. Discard plate. Replace two screws.

**Note:** Hood is ENERGY STAR® certified only when it vents air to the outside.



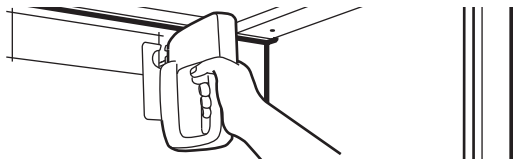
## 9 FOR RECESSED-BOTTOM CABINETS ONLY



- If the cabinets have front, side or back trim, make 2 wood shims the width of the trim and attach them to the cabinet bottom recess on both sides. See Step 7 for marking locations.

## 10 CUT HOLES

Cut holes at marked locations for duct and electrical wiring. For the vertical duct, cut out 3/4" extra toward the front of the cabinet so you can move the duct freely when installing the hood. It may also ease installation by cutting the hole 10½" instead of 10".



## 11 RUN WIRES

Run the electrical wires through the wall or cabinet according to National Electrical Code and applicable local codes.

**NOTE:** DO NOT turn the power on until installation is complete.

## 12 SCREW IN PARTWAY

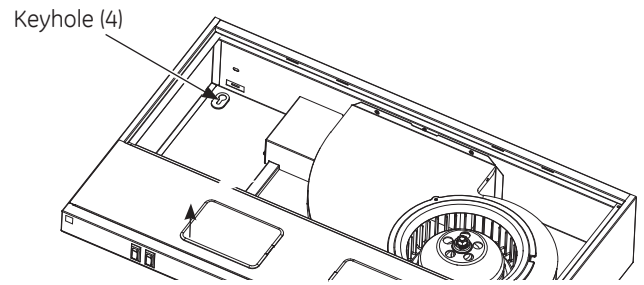
Drive a mounting screw (from the hardware packet) partway into each center of the narrow neck of the keyhole slots marked on the cabinet bottom.

## 13 FEED IN WIRES

Lift the hood into position and feed the house wiring through the wiring knockout.

## 14 SECURE HOOD

Slide the hood back against the wall. Tighten the mounting screws. Be sure the screw heads are in the narrow neck of the keyhole slot.

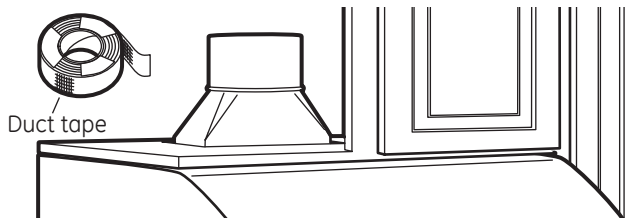


# Installation Instructions

## 15 CONNECT DUCTWORK TO HOOD

Use duct tape to make joints secure and air tight.

**Note:** Illustration shows rectangular to round duct adapter.



## 16 INSTALL LAMPS

### ⚠ WARNING:

**(Hg)** - Lamp contains Mercury. Manage in accord with disposal laws. See [www.lamprecycle.org](http://www.lamprecycle.org) or 1-800-435-4448.

For installation, handling and disposal precautions, refer to the fluorescent lamp packaging literature.

### ⚠ WARNING:

■ To reduce the risk of electric shock, do not connect electrical power to the hood without both lamps in place.

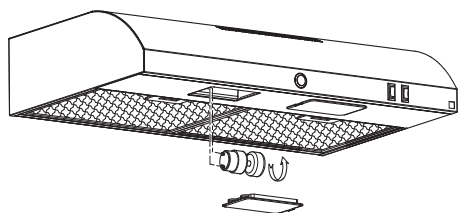
### ⚠ CAUTION:

- Do not touch the hood lamps when they are on. They may be hot enough to cause injury.
- To prevent injury from broken lamps, handle lamps carefully and do not operate hood without lamp lens covers in place.

This hood requires two Compact Fluorescent Lamps (CFL) with a GU24 base (included), maximum 15 watts.

#### To change the lamps:

- 1 When installing or replacing a lamp, make sure that power to the light has been turned off. Never allow a lamp to come into contact with water.
- 2 Remove the lens cover by sliding it in a horizontal direction and pulling it down and away from the hood.
- 3 Grasp the lamp by the plastic base portion of the lamp and unscrew it.
- 4 Replace with energy saving GE 15W Compact Fluorescent Lamp with GU24 base GE Service Part: WB08X10064.



## 17 FOLLOW ELECTRICAL CODE

Complete the electrical wiring according to National Electrical Code and local codes.

**NOTE:** This hood must be permanently grounded. Connect **house wiring** (120 VAC) to hood wiring.

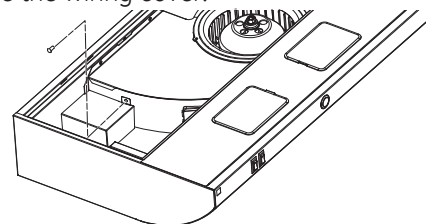
## 18 CONNECT WIRING

Connect house black to hood black wire, house white to hood white wire, and house ground to hood green/yellow wire. Securely tighten the strain relief clamp onto the house wiring.



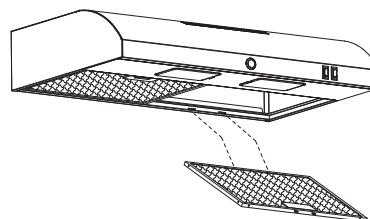
## 19 REPLACE WIRING COVER

Replace the wiring cover.



## 20 REPLACE FILTERS

The installation is complete. Turn on power at service panel, and test for proper operation.



## TROUBLESHOOTING CHECKLIST

If the hood seems to be operating at high speed when the control is not set on high, or if ventilation seems inadequate, check the following:

- Knockouts not removed from hood.
- Damper blade not opening.
- Reduced airflow because the duct is too small or the duct length is too long.
- The duct is blocked.
- Undersized or restrictive wall or roof cap.

## Before you call for service...



*Troubleshooting Tips*  
 Save time and money! Review the following chart first and you may not need to call for service.

Problem	Possible Causes	What To Do
<i>Fan does not operate when the switch is on</i>	A fuse may be blown or a circuit breaker may be tripped.	<ul style="list-style-type: none"> <li>• Replace fuse or reset circuit breaker.</li> </ul>
<i>Fan fails to circulate air or moves air more slowly than normal</i>	Excessively soiled filter.	<ul style="list-style-type: none"> <li>• Wash and replace the filters. See the <i>Reusable Metal Grease Filters</i> section.</li> <li>• Replace the filter if it is too soiled to clean. If it is not soiled, or if replacing the filter does not solve the problem, call for service.</li> </ul>
<i>Fan continually cycles off and on</i>	The motor is probably overheating and turning itself off. This can be harmful to the motor. Filter may be excessively soiled.	<ul style="list-style-type: none"> <li>• Replace the filter if it is soiled. If it is not soiled, or if replacing the filter does not solve the problem, call for service.</li> </ul>
<i>Compact Fluorescent Lamp appears dim on start up</i>	This is normal for Compact Fluorescent Lamps especially on first installation.	<ul style="list-style-type: none"> <li>• Allow lamp to run for several minutes. If this warm up time does not solve the problem replace the lamp.</li> </ul>
<i>Compact Fluorescent Lamp briefly flickers on start up</i>	This is normal for Compact Fluorescent Lamps especially on first installation.	<ul style="list-style-type: none"> <li>• Allow lamp to run for several minutes. If this warm up time does not solve the problem replace the lamp.</li> </ul>
<i>After replacing one lamp, the new lamp appears to be a different color</i>	<p>The replacement lamp may have a different color temperature rating : i.e. is 3000K instead of 2700K.</p> <p>The replacement lamp may be from a different manufacturer.</p>	<ul style="list-style-type: none"> <li>• Use a GE 15W GU24 base lamp with a 2700K rating. GE Service Part number WB08X10064.</li> <li>• Use a GE 15W GU24 base lamp with a GE Service Part number WB08X10064.</li> </ul>



# GE Range Hood Warranty.



All warranty service provided by our Factory Service Centers, or an authorized Customer Care® technician. To schedule service on-line, visit us at [GEAppliances.com](http://GEAppliances.com), or call 800.GE.CARES (800.432.2737). Please have serial number and model number available when calling for service.

Staple your receipt here.  
Proof of the original purchase date is needed to obtain service under the warranty.

## For The Period Of: GE Will Replace:

### One Year

From the date of the original purchase

**Any part** of the range hood which fails due to a defect in materials or workmanship. During this **limited one-year warranty**, GE will also provide, **free of charge**, all labor and in-home service to replace the defective part.

## What GE Will Not Cover:

- Service trips to your home to teach you how to use the product.
- Improper installation, delivery or maintenance.
- Product damage or failure of the product if it is abused, misused, modified, used for other than the intended purpose, or used commercially.
- Replacement of house fuses or resetting of circuit breakers.
- Damage to the product caused by accident, fire, floods or acts of God.
- Incidental or consequential damage caused by possible defects with this appliance.
- Damage caused after delivery.
- Product not accessible to provide required service.

**EXCLUSION OF IMPLIED WARRANTIES—Your sole and exclusive remedy is product repair as provided in this Limited Warranty. Any implied warranties, including the implied warranties of merchantability or fitness for a particular purpose, are limited to one year or the shortest period allowed by law.**

This warranty is extended to the original purchaser and any succeeding owner for products purchased for home use within the USA. If the product is located in an area where service by a GE Authorized Servicer is not available, you may be responsible for a trip charge or you may be required to bring the product to an Authorized GE Service Location for service. In Alaska, the warranty excludes the cost of shipping or service calls to your home.

Some states do not allow the exclusion or limitation of incidental or consequential damages. This warranty gives you specific legal rights, and you may also have other rights which vary from state to state. To know what your legal rights are, consult your local or state consumer affairs office or your state's Attorney General.

Warrantor: General Electric Company. Louisville, KY 40225

## Consumer Support.

---



### **GE Appliances Website**

**GEAppliances.com**

Have a question or need assistance with your appliance? Try the GE Appliances Website 24 hours a day, any day of the year! For greater convenience and faster service, you can now download Owner's Manuals, order parts or even schedule service on-line.



### **Schedule Service**

**GEAppliances.com**

Expert GE repair service is only one step away from your door. Get on-line and schedule your service at your convenience any day of the year! Or call 800.GE.CARES (800.432.2737) during normal business hours.



### **Real Life Design Studio**

**GEAppliances.com**

GE supports the Universal Design concept---products, services and environments that can be used by people of all ages, sizes and capabilities. We recognize the need to design for a wide range of physical and mental abilities and impairments. For details of GE's Universal Design applications, including kitchen design ideas for people with disabilities, check out our Website today. For the hearing impaired, please call 800.TDD.GEAC (800.833.4322).



### **Extended Warranties**

**GEAppliances.com**

Purchase a GE extended warranty and learn about special discounts that are available while your warranty is still in effect. You can purchase it on-line anytime, or call 800.626.2224 during normal business hours. GE Consumer Home Services will still be there after your warranty expires.



### **Parts and Accessories**

**GEAppliances.com**

Individuals qualified to service their own appliances can have parts or accessories sent directly to their homes (VISA, MasterCard and Discover cards are accepted). Order on-line today, 24 hours every day or by phone at 800.626.2002 during normal business hours.

**Instructions contained in this manual cover procedures to be performed by any user. Other servicing generally should be referred to qualified service personnel. Caution must be exercised, since improper servicing may cause unsafe operation.**



### **Contact Us**

**GEAppliances.com**

If you are not satisfied with the service you receive from GE, contact us on our Website with all the details including your phone number, or write to:

General Manager, Customer Relations  
GE Appliances, Appliance Park  
Louisville, KY 40225



### **Register Your Appliance**

**GEAppliances.com**

**Register your new appliance on-line---at your convenience!** Timely product registration will allow for enhanced communication and prompt service under the terms of your warranty, should the need arise. You may also mail in the pre-printed registration card included in the packing material.



# Campanas de estufas con ventilación

**Información de seguridad...** 2

**Instrucciones de operación /  
Cuidado y limpieza**

Controles de ventilación ..... 3

Filtros de carbón ..... 4

Filtros para la grasa ..... 3

Luces de la campana ..... 4

Superficies de  
acero inoxidable ..... 4

Superficies de la campana ..... 4

**Instrucciones  
de instalación.....**5-12

**Solucionar problemas .....** 13

**Soporte al consumidor**

Soporte al consumidor ..... 16

Garantía..... 15

Manual del propietario  
e instrucciones  
de instalación

JVE40

\*Producto rotulado como ENERGY STAR®



Como un socio de ENERGY STAR®,  
GE ha determinado que este  
producto cumple con las normas  
de ENERGY STAR® para un uso  
eficiente de la energía.

**Escriba el modelo y número de  
serie aquí:**

**Número de modelo** \_\_\_\_\_

**Número de serie** \_\_\_\_\_

Estos números se encuentran en una  
etiqueta en la pared posterior de la  
campana.

# INSTRUCCIONES DE SEGURIDAD IMPORTANTES. LEA TODAS LAS INSTRUCCIONES ANTES DE USAR.

---

## PRECAUCIONES DE SEGURIDAD

---

### **⚠ ADVERTENCIA** – PARA REDUCIR EL RIESGO DE INCENDIOS, DESCARGAS ELÉCTRICAS O LESIONES PERSONALES, OBSERVE LO SIGUIENTE:

- A. Use esta unidad solamente de la manera que el fabricante lo indique. Si usted tiene preguntas, póngase en contacto con el fabricante.
- B. Antes de proporcionar servicio o de limpiar la unidad, desconecte el suministro eléctrico en el panel de servicio y cierre el mecanismo de seguridad para evitar que alguien lo conecte accidentalmente. Cuando no exista un dispositivo de cierre de seguridad, amarre un aviso visible, como una etiqueta al panel de servicio haciendo la advertencia.
- C. No use esta unidad con ningún dispositivo de control de velocidad de estado sólido.
- D. Esta unidad debe estar conectada a tierra.

### **⚠ PRECAUCIÓN** – Para uso de ventilación general solamente. No use para expulsar materiales peligrosos o explosivos y vapores.

### **⚠ ADVERTENCIA** – PARA REDUCIR EL RIESGO DE LESIONES PERSONALES EN EL CASO DE UN INCENDIO DEBIDO A GRASA DE ESTUFA QUEMADA, HAGA LO SIGUIENTE \*:

- A. CONTENGA LAS LLAMAS con una tapa que ajuste bien sobre la sartén, con una lámina para hacer dulces o con una bandeja metálica, y luego apague el quemador. TENGA CUIDADO DE NO QUEMARSE. Si las llamas no se apagan inmediatamente, EVACUE EL LUGAR Y LLAME AL DEPARTAMENTO DE BOMBEROS.
- B. NUNCA AGARRE UNA SARTÉN O UNA OLLA QUE SE ENCUENTRE EN LLAMAS—Se podría quemar.
- C. NO USE AGUA, incluyendo paños de cocina o toallas humedecidas—esto hará que ocurra una explosión de vapor violenta.
- D. Use un extintor SOLAMENTE si:
  - 1. Usted sabe que tiene un extintor Clase ABC, y si usted ya sabe cómo operarlo.
  - 2. El fuego es pequeño y está contenido al área donde comenzó.
  - 3. El departamento de bomberos ha sido llamado.
  - 4. Usted está luchando contra las llamas con sus espaldas hacia una salida.

\* Basado en "Kitchen Fire Safety", publicado por NFPA.

### **⚠ ADVERTENCIA** – PARA REDUCIR EL RIESGO DE UN FUEGO DE GRASA DE ESTUFA:

- A. Nunca deje unidades de superficies sin la atención debida en selecciones altas. Cuando se está hirviendo algo y ocurren derramamientos, estos podrían causar humo y que los derramamientos grasosos se incendien. Caliente los aceites lentamente a selecciones medias y bajas.
- B. Siempre encienda la campana cuando cocine a fuego alto o cuando flambee alimentos (Crepes Suzette, Cherries Jubilee, Flambeado de Carne con Pimiento).
- C. Limpie el ventilador con frecuencia. La grasa no debe acumularse en el ventilador o en el filtro.
- D. Use una sartén de tamaño apropiado. Siempre use piezas de cocina apropiadas para el tamaño del elemento de la superficie.

### **⚠ ADVERTENCIA** – PARA REDUCIR EL RIESGO DE INCENDIOS, DESCARGAS ELÉCTRICAS O LESIONES PERSONALES, OBSERVE LO SIGUIENTE:

- A. El trabajo de instalación y el alambrado eléctrico debe hacerlo una persona(s) calificada conforme a todos los códigos y estándares aplicables, incluyendo una construcción aprobada por el inspector de incendios.
- B. Suficiente aire es necesario para una combustión apropiada y para deshacerse de los gases a través de una salida de humo (chimenea) de equipos que queman combustibles para prevenir retroalimentación. Siga las recomendaciones del fabricante del equipo de calentamiento y los estándares de seguridad tales como los publicados por la Asociación nacional de protección de incendios (NFPA), y la Sociedad americana de ingenieros de calefacción, acondicionadores de aire y refrigeración (ASHRAE), y los códigos de las autoridades locales.
- C. Cuando se encuentre cortando o taladrando en la pared o en el techo, no dañe los alambrados eléctricos u otras utilidades escondidas.
- D. Los ventiladores con conductos deben estar siempre ventilados hacia el exterior.

### **⚠ ADVERTENCIA** – PARA REDUCIR EL RIESGO DE INCENDIO Y PARA QUE EL AIRE SE VENTILE DE MANERA ADECUADA, ASEGÚRESE DE QUE EL AIRE SALGA AL EXTERIOR—NO VENTILE AIRE DE ESCAPE EN ESPACIOS DENTRO DE PAREDES O CIELORRASOS O DENTRO DE ÁTICOS, HUECOS SANITARIOS O GARAJES.

### **⚠ ADVERTENCIA** – PARA REDUCIR EL RIESGO DE INCENDIOS, SOLAMENTE USE CONDUCTOS METÁLICOS.

- No intente reparar o reemplazar ninguna parte de su estufa de ventilación de aire descendente (downdraft) a no ser que lo recomiende específicamente este manual. Cualquier otro servicio debe ser referido a un técnico calificado.

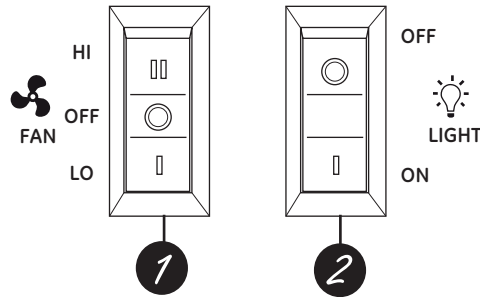
---

LEA Y SIGA ESTA INFORMACIÓN DE SEGURIDAD CUIDADOSAMENTE.

**GUARDE ESTAS INSTRUCCIONES**

A lo largo de este manual, las funciones y el aspecto pueden ser diferentes a los de su modelo.

## Controles interruptores de presión (en algunos modelos)



### 1 Control del VENTILADOR

Presione el interruptor en la parte superior para encender el ventilador en la velocidad alta (**HI**) y en la parte inferior para reducirlo a bajo (**LOW**). En la posición central queda apagado (**OFF**).

El uso continuo del sistema de ventilación mientras cocina ayuda a mantener la cocina a gusto y menos húmeda. También reduce los olores de cocción y la humedad que produce manchas y crean una necesidad frecuente de limpieza.

### 2 Control de la LUZ

Presione el interruptor en la parte superior para encender la luz (**ON**) mientras está cocinando. Presione el interruptor en la parte de abajo para usar como luz por la noche. La posición central indica que está apagada (**OFF**).

## Cuidado y limpieza de la campana de ventilación.

Cerciórese de que la corriente eléctrica esté apagada y todas las superficies estén frías antes de limpiar o realizar mantenimiento a cualquier parte de la campana de ventilación.

### Filtros metálicos reutilizables para la grasa

La campana tiene dos filtros metálicos reutilizables.

Los filtros metálicos atrapan la grasa que liberan los alimentos en la superficie de la estufa. También ayudan a evitar que los alimentos en llamas que están en la superficie de la estufa dañen en interior de la campana.

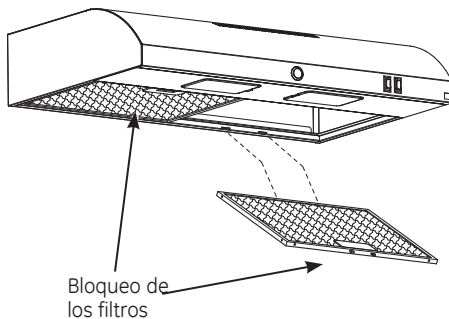
Por esta razón, los filtros **SIEMPRE** deben estar en su lugar cuando se usa la campana. Los filtros para la grasa se deben limpiar una vez al mes, o según sea necesario.

**Para retirarlos**, presione los bloqueos del filtro hacia atrás y hale los filtros hacia abajo y hacia fuera.

**Para reemplazarlos**, inserte las pestañas posteriores del filtro en las ranuras del marco en la parte posterior de la abertura. Presione los filtros hacia arriba y ajústelos en su lugar.

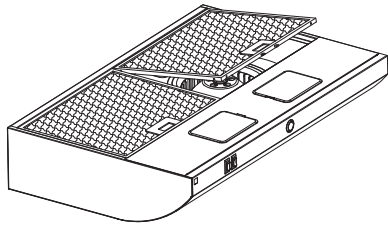
**Para limpiar los filtros para la grasa**, remójelos y luego agítelos en agua caliente y detergente. No use amoníaco o productos basados en amoníaco ya que oscurecerán el metal. No use abrasivos o limpiadores de horno. Se pueden cepillar ligeramente para retirar la suciedad incrustada. Enjuague, agite y deje secar antes de reemplazar. **También se pueden limpiar en la lavadora de platos automática.**

**NOTA:** Antes de limpiar, cerciórese de que los filtros de carbón, si los hay, se desprendan y retiren. Consulte la sección Filtros de carbón.



Si fuese necesario reemplazar los filtros metálicos para la grasa, los puede ordenar a través de su proveedor GE.

# Cuidado y limpieza de la campana de ventilación.



Los filtros de carbón están unidos al interior de cada filtro metálico para la grasa.

## Filtros de carbón (en algunos modelos)

**Los filtros de carbón no se pueden limpiar, sino que se deben reemplazar.**

Ordene el kit No. WB02X10707 .

Estos kits se pueden ordenar a través de su proveedor GE.

**NOTA:** Los filtros de carbón no están incluidos con la campana. Deben ser ordenados de su suplidor GE.

Si el modelo no tiene ventilación hacia el exterior, el aire se recircula a través de los filtros de carbón desechables que ayudan a evitar el humo y los olores.

Los filtros de carbón se deben reemplazar cuando

estén obviamente sucios o descoloridos (por lo general después de 6 a 12 meses, dependiendo del uso de la campana).

**NOTA:** NO enjuague, o lave los filtros de carbón en un lavaplatos automático.

**Nota:** Si la campana se instala en modo de recirculación, no se encuentra certificada por ENERGY STAR®.

## Superficies pintadas (en algunos modelos)

Para limpiar la superficie de la campana, use un paño humedecido con agua caliente y detergente suave adecuado para superficies pintadas. Use un paño limpio, humedecido con agua caliente para retirar el jabón. Seque con un paño limpio y seco.

No use esponjillas u otros limpiadores abrasivos ya que pueden rayar la superficie. Limpie con un paño limpio, humedecido con agua caliente después de usar limpiadores.

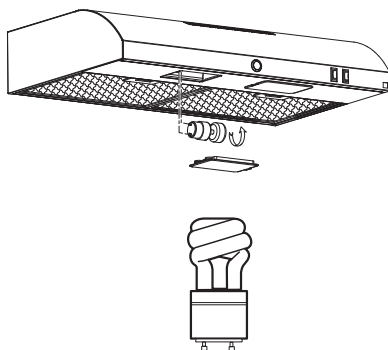
## Superficies de acero inoxidable (en algunos modelos)

**No utilice almohadillas de lana de acero ya que rayará la superficie.**

Para limpiar la superficie de acero inoxidable, utilice agua jabonosa o u limpiador o pomada para acero inoxidable. Siempre limpie la superficie en la dirección del grano. Siga las instrucciones del producto limpiador al limpiar la superficie de acero inoxidable.

Si tiene preguntas sobre la compra de un limpiador o pomada limpiadora de electrodomésticos de acero inoxidable, o para averiguar la dirección del distribuidor más cercano, por favor llame al siguiente número telefónico gratuito:

**Centro nacional de piezas 800.626.2002  
GEAppliances.com**



## Luces de la campana

### ⚠️ ADVERTENCIA:

**(Hg)** - La lámpara contiene mercurio. Maneje de acuerdo con las leyes de eliminación. Ver [www.lamprecycle.org](http://www.lamprecycle.org) o 1-800-435-4448.

Para precauciones sobre instalación, manipulación y eliminación, consulte la información de empaque de la lámpara fluorescente.

### ⚠️ ADVERTENCIA:

■ Para reducir el riesgo de una descarga eléctrica, no conecte la energía eléctrica hacia la campana sin ambas lámparas en su lugar.

### ⚠️ PRECAUCIÓN:

■ No toque las lámparas de la campana cuando se encuentren encendidas. Pueden estar lo suficientemente calientes como para provocar lesiones.

■ Para evitar lesiones provocadas por lámparas rotas, manipúlelas con cuidado y no opere la campana sin las cubiertas de las lámparas en su lugar.

Esta campana requiere dos lámparas fluorescentes compactas (CFL) con una base GU24 (incluida) de 15 vatios como máximo.

### Para cambiar las lámparas:

- 1 Cuando instale o reemplace una lámpara, asegúrese de que la energía dirigida hacia la luz se haya apagado. Nunca permita que una lámpara entre en contacto con agua.
- 2 Quite la cubierta de la lámpara deslizándola un sentido horizontal y jalándola hacia abajo y en sentido contrario de la campana.
- 3 Tome la lámpara de la porción plástica de la base de la lámpara y desenrosquela.
- 4 Coloque una lámpara fluorescente compacta GE 15W de bajo consumo con la pieza de servicio GE para base GU24: WB08X10064.



# Instrucciones de instalación

# Campana para estufa

Preguntas? Llame al 800.GE.CARES (800.432.2737) o Visite nuestro sitio Web: [GEAppliances.com](http://GEAppliances.com)

## ANTES DE EMPEZAR

Lea estas instrucciones completa y cuidadosamente.

- **IMPORTANTE** – Guarde estas instrucciones para uso del inspector local
- **IMPORTANTE** – Observe todos los códigos y ordenanzas vigentes.
- **Nota para el instalador** – Cerciórese de dejar estas instrucciones en poder del consumidor.
- **Nota para el consumidor** – Mantenga estas instrucciones para referencia futura.
- **Nivel de destrezas** – La instalación de este aparato requiere de destrezas mecánicas y eléctricas básicas.
- **Tiempo para la instalación** – 1 a 3 horas
- La instalación correcta es responsabilidad del instalador.
- La falla del producto debido a una instalación incorrecta no está cubierta por la garantía.
- Use solamente con el kit de cable aprobado, JXHC1.

## POR SU SEGURIDAD:

**⚠ ADVERTENCIA** – Antes de empezar con la instalación, desconecte la corriente en el panel de servicio y bloquee el medio de desconexión del servicio para evitar que la corriente se restablezca accidentalmente. Cuando el medio de desconexión del servicio no se pueda bloquear, fije firmemente al panel de servicio un dispositivo de advertencia prominente, como una etiqueta.

## ⚠ ADVERTENCIA – PARA REDUCIR EL RIESGO DE INCENDIOS, DESCARGAS ELÉCTRICAS O LESIONES PERSONALES, OBSERVE LO SIGUIENTE:

- A. El trabajo de instalación y el alambrado eléctrico debe hacerlo una persona(s) calificada conforme a todos los códigos y estándares aplicables, incluyendo una construcción aprobada por el inspector de incendios.
- B. Suficiente aire es necesario para una combustión apropiada y para deshacerse de los gases a través de una salida de humo (chimenea) de equipos que queman combustibles para prevenir retroalimentación. Siga las recomendaciones del fabricante del equipo de calentamiento y los estándares de seguridad tales como los publicados por la Asociación nacional de protección de incendios (NFPA), y la Sociedad americana de ingenieros de calefacción, acondicionadores de aire y refrigeración (ASHRAE), y los códigos de las autoridades locales.
- C. Cuando se encuentre cortando o taladrando en la pared o en el techo, no dañe los alambrados eléctricos u otras utilidades escondidas.
- D. Los ventiladores con conductos deben estar siempre ventilados hacia el exterior.

**⚠ ADVERTENCIA** – PARA REDUCIR EL RIESGO DE INCENDIO Y PARA QUE EL AIRE SE VENTILE DE MANERA ADECUADA, ASEGÚRESE DE QUE EL AIRE SALGA AL EXTERIOR—NO VENTILE AIRE DE ESCAPE EN ESPACIOS DENTRO DE PAREDES O CIELORRASOS O DENTRO DE ÁTICOS, HUECOS SANITARIOS O GARAJES.

## REQUISITOS PARA LA INSTALACIÓN DE LOS DUCTOS

**NOTA:** Lea las secciones de la instalación de los ductos únicamente si no tiene una instalación de ductos existente. Si tiene una instalación de ductos existente, siga con la sección "Daños."

El sistema de ventilación debe tener salida al exterior.

Esta campana se puede ventilar verticalmente a través de los gabinetes superiores u horizontalmente a través de una pared exterior. La instalación de los ductos no está incluida.

### Conexión del escape:

El escape de la campana está diseñado para acoplarse con ductos estándar rectangulares de 3¼" x 10" o ductos circulares de 7" de diámetro.

Si se requiere de un ducto circular de 6" se debe usar un adaptador de transición rectangular a circular\*. No use un ducto con diámetro inferior a 6."

### Longitud máxima del ducto:

Para un movimiento satisfactorio del aire, la longitud total de un ducto rectangular de 3¼" x 10", circular de 7" de diámetro no debe superar el equivalente a 65 pies.

**NOTA:** Es importante que los ductos se instalen usando la ruta más directa y con el menor número posible de codos. Esto garantiza una ventilación directa del escape y ayuda a evitar las obstrucciones. Igualmente, cerciórese de que el regulador de tiro se mueva libremente y nada obstruya los ductos.

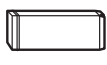
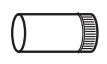
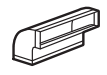
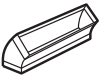


**Codos, transiciones, tapas para pared y techo, etc.,** presentan resistencia adicional al flujo del aire y son equivalentes a una sección de ducto directo más largo que su tamaño físico real. Al calcular la longitud total del ducto, agregue las longitudes equivalentes de todas las transiciones y adaptadores además de la longitud de todas las secciones rectas del ducto. Las tablas en las páginas a continuación muestran cómo calcular la longitud total equivalente del ducto usando la longitud equivalente de pies aproximados de algunos ductos comunes.








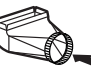
\* **IMPORTANTE:** Si se usa un adaptador de transición rectangular a circular, las esquinas inferiores del regulador de tiro se tienen que cortar para que encajen, con unas tijeras de hojalata, para poder permitir el movimiento libre del regulador de tiro. Las longitudes equivalentes de las piezas del ducto están basadas en pruebas reales y reflejan los requisitos para una buena ventilación con cualquier campana.

# Instrucciones de instalación

## HOJA DE TRABAJO—CALCULE LA LONGITUD TOTAL EQUIVALENTE DEL DUCTO

PIEZAS DEL DUCTO	LONGITUD EQUIV.	NÚMERO x USADO	=	TOTAL
 Rectangular, recta de 3¼" x 10"	1 pie	x ( )	=	pies
 Circular, recta de 7"	1 pie	x ( )	=	pies
 Codo de 90° rectangular de 3¼" x 10"	14 pies	x ( )	=	pies
 Codo de 45° rectangular de 3¼" x 10"	8 pies	x ( )	=	pies
 Codo plano de 90° rect. de 3¼" x 10"	33 pies	x ( )	=	pies
 Tapa de pared rect. de 3¼" x 10" con regulador de tiro	24 pies (18 pies sin regulador de tiro)	x ( )	=	pies
	Subtotal columna 1		=	pies

**Longitud máxima del ducto:** Para un movimiento satisfactorio del aire, la longitud total de un ducto rectangular de 3¼" x 10" **no debe superar el equivalente a 65 pies.**

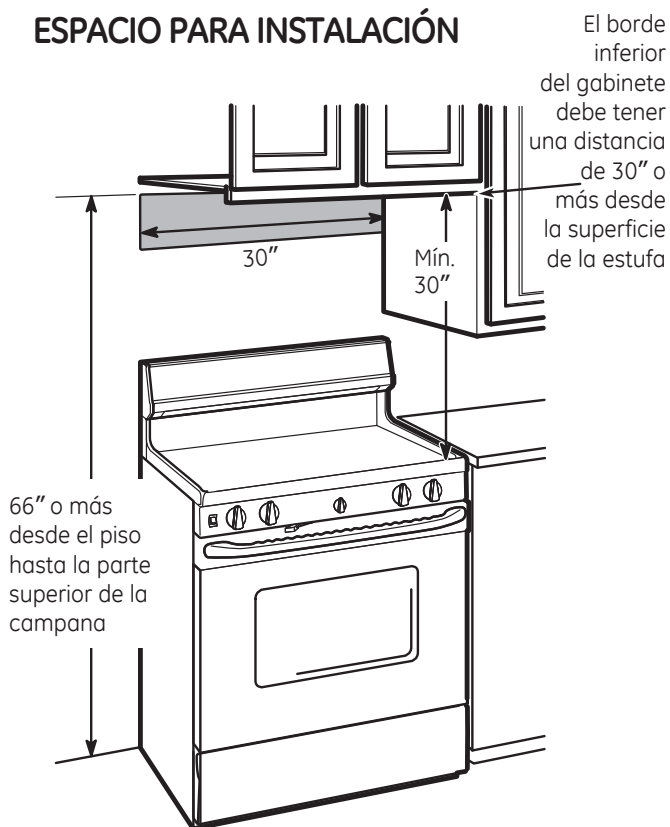
PIEZAS DEL DUCTO	LONGITUD EQUIV.	NÚMERO x USADO	=	TOTAL
 Codo de 90° circ. de 7"	14 pies	x ( )	=	pies
 Codo de 45° circ. de 7"	9 pies	x ( )	=	pies
 Tapa de pared circ. de 7" con reg. de tiro	28 pies (21 pies sin reg. de tiro)	x ( )	=	pies
 Tapa de techo circ. de 7"	39 pies	x ( )	=	pies
 Trans. circ. de 7" a rect. de 3¼" x 10"	1 pies	x ( )	=	pies
 Codo de 90° de trans. circ. de 7" a rect. de 3¼" x 10"	5 pies	x ( )	=	pies
	Subtotal columna 2		=	pies
	Subtotal columna 1		=	pies
	<b>Ducto total</b>		=	pies

# Instrucciones de instalación

## DAÑOS-ENVÍO/INSTALACIÓN

- Si la unidad se daña en el envío, devuelva la unidad a la tienda donde se compró para reparación o cambio.
- Si el cliente daña la unidad, la reparación o el cambio es responsabilidad del cliente.
- Si el instalador daña la unidad (alguien diferente al cliente), la reparación o el cambio se debe hacer en un arreglo entre el cliente y el instalador.

## ESPACIO PARA INSTALACIÓN



### NOTAS:

- Esta campana es para instalación en estufas hasta de 30" de ancho.
- Si la campana va a ventilarse hacia el exterior, consulte la sección "Requisitos para la instalación de los ductos" para la preparación del ducto del escape.

## HERRAMIENTAS QUE NECESITA



## PARTES INCLUIDAS

PORTE		CANTIDAD
	Filtros metálicos para la grasa	2
	Tornillos para instalación	4
	Adaptador del escape/regulador de tiro (para ventilación rect. de 3 3/4" x 10")	1
	Tornillos del adaptador del escape	1

## ACCESORIOS OPCIONALES

Estos kit se pueden ordenar a través de su proveedor GE.



Filtros de carbón si realiza recirculación. ordene Kit No. WB02X10708.

**Nota:** Si la campana se instala en modo de recirculación, no se encuentra certificada por ENERGY STAR®.

# Instrucciones de instalación

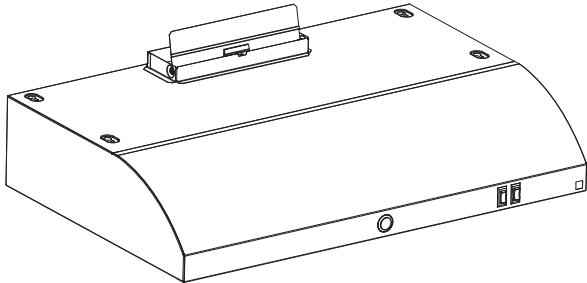
## 1 SELECCIONE LA OPCIÓN DE VENTILACIÓN

Determine entre las siguientes opciones la opción de ventilación que su instalación requiere:

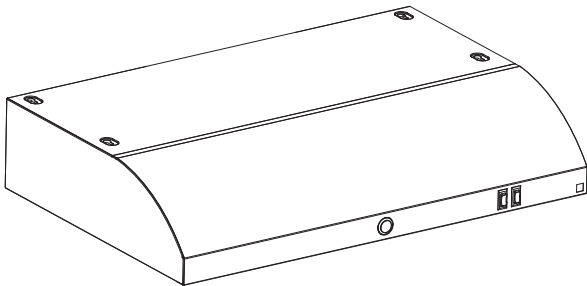
La opción de escape de ventilación exterior que su instalación requiera determinará los agujeros ciegos de la campana necesarios.

**IMPORTANTE:** Si la campana se va a instalar de forma recirculante, sin ductos, sin ventilación, no perforo ninguna abertura de ventilación en la campana. Únicamente un orificio de acceso eléctrico se requiere en la campana.

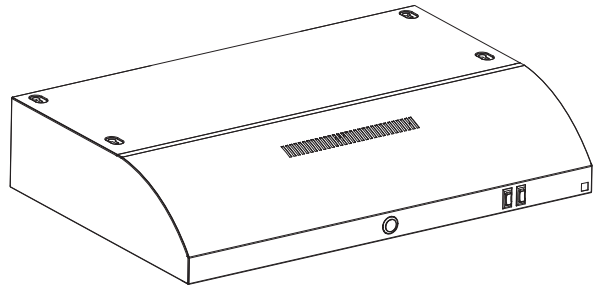
### A Escape superior exterior (Ducto vertical— $3\frac{1}{4}$ " x 10" rectangular)



### B Escape posterior exterior (Ducto horizontal— $3\frac{1}{4}$ " x 10" rectangular)



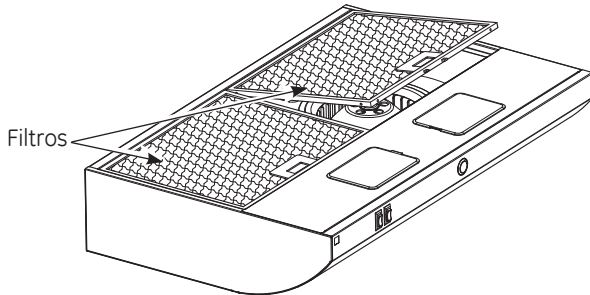
### C Recirculante (Sin ductos, sin ventilación— Opcional para los modelos de la serie JV5 únicamente)



# Instrucciones de instalación

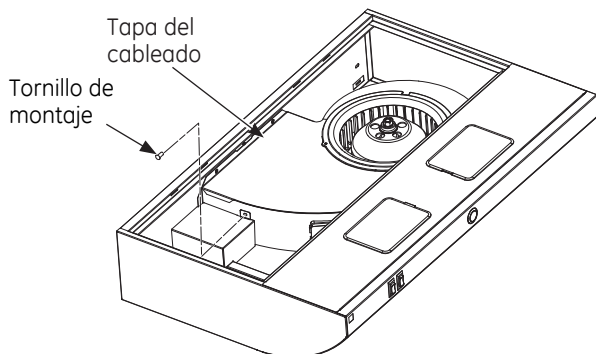
## 2 RETIRE LOS FILTROS

Retire la película protectora de empaque de los bordes de **los filtros metálicos para la grasa**. Presione los bloqueos del filtro y levante los filtros hacia afuera. Colóquelos a un lado.



## 3 RETIRE LA TAPA DEL CABLEADO DE LA CAJA DE EMPALME

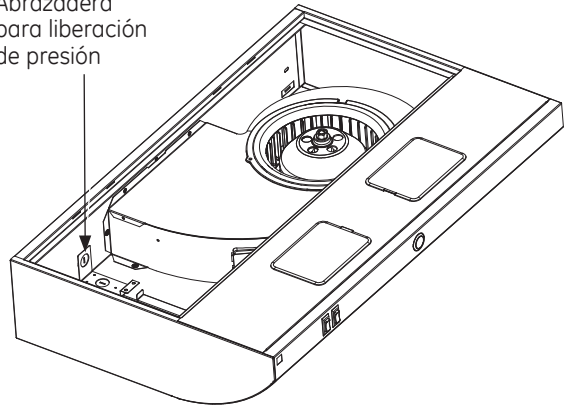
Retire la tapa del cableado del interior de la campana. Coloque la tapa y el tornillo de montaje a un lado.



## 4 DESTAPE EL ORIFICIO CIEGO DEL CABLEADO

Destape ya sea el orificio ciego superior o posterior del cableado según sea necesario e instale una abrazadera **aprobada para liberación de presión**.

Abrazadera para liberación de presión

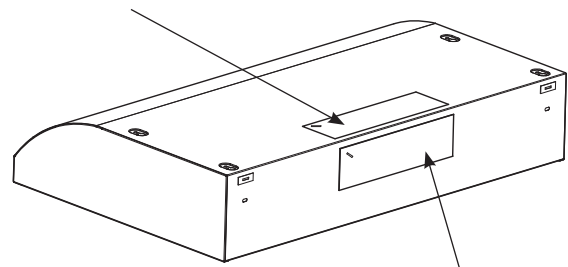


## 5 DESTAPE LOS ORIFICIOS CIEGOS DEL DUCTO

Para un sistema **recirculante**, sin ducto y sin escape vea la nota más abajo y  **siga con el paso 9 D**.

Con un destornillador de cabeza plana, destape el(los) **orificio(s) ciego(s) del ducto** correspondiente(s) de la parte superior o posterior de la campana.

**Salida vertical rectangular de 3¼" x 10."** Destape el orificio ciego del ducto rectangular únicamente.



**Salida horizontal rectangular de 3¼" x 10"**. Destape el orificio ciego del ducto rectangular posterior únicamente.

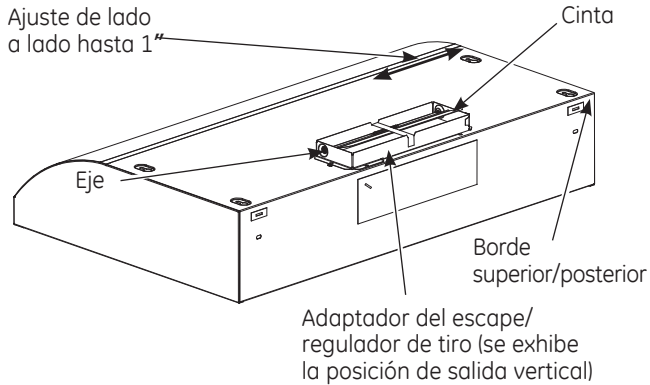
**NOTA:** Si la campana se va a instalar de una forma **recirculante**, sin ducto y sin escape, orden el kit de filtros de carbón número WB02X10707 para modelos de campana de 30", o el kit No. WB02X10708 para modelos de campana de 36". Estos kits se pueden ordenar a través de su proveedor GE. **Siga con el paso 9 D.**

**NOTA:** Si la campana se instala en modo de recirculación, no se encuentra certificada por ENERGY STAR®.

# Instrucciones de instalación

## 6 PARA INSTALACIONES DE SALIDA RECTANGULAR CON DUCTO DE 3¼" x 10" ÚNICAMENTE:

Una el **adaptador del escape/regulador de tiro** sobre la abertura ciega con los dos tornillos adaptadores del escape. Cerciórese de que el eje esté más cerca al **borde superior/posterior** de la campana. Retire la **cinta** de la tapa del regulador de tiro.



**NOTA:** El adaptador del escape/regulador de tiro se puede instalar hasta a 1 pulgada de distancia de cualquier lado del centro de la campana para acomodar el ducto en el centro. En instalaciones extremas de desajuste, es posible que sea necesario cortar un extremo del conector del ducto para despejar la abrazadera del cable eléctrico.

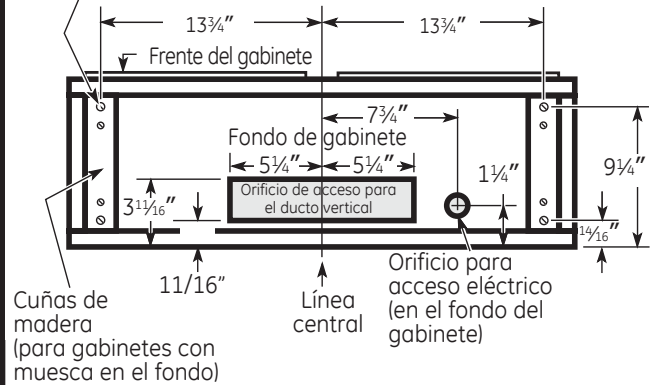
## 7 MARQUE LOS ORIFICIOS

Seleccione la opción de ventilación que su instalación requiere y siga con esa sección:

### A. Escape superior exterior (ducto vertical rectangular-3¼" x 10")

- Use el diagrama o la campana como una plantilla y marque la localización en el gabinete para el ducto, el cableado eléctrico y las ranuras del tornillo de bocallave.

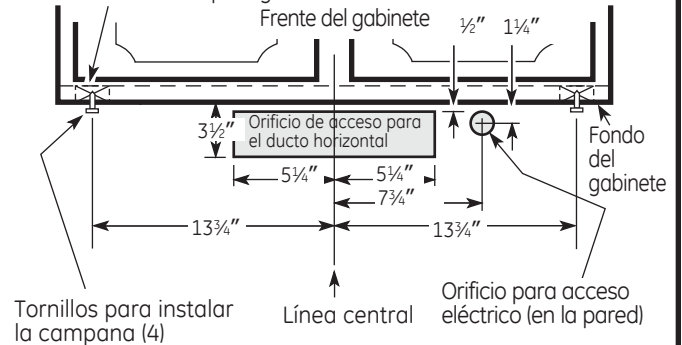
Tornillos para instalar la campana (4)



### B. Escape posterior exterior (ducto horizontal rectangular-3¼" x 10")

- Use el diagrama o la campana como una plantilla y marque la localización en el gabinete para el ducto, el cableado eléctrico y las ranuras del tornillo de bocallave.

Cuñas de madera (para gabinetes con muesca en el fondo)



### C. Recirculante (sin ducto y sin escape)

- Use el diagrama o la campana como una plantilla y marque la localización en el gabinete para el cableado eléctrico y las ranuras del tornillo de bocallave.
- Debido a que la campana ha de ser recirculada (no para ser ventilada en el exterior), no corte ninguna abertura de ventilación en la pared o en el fondo del gabinete.



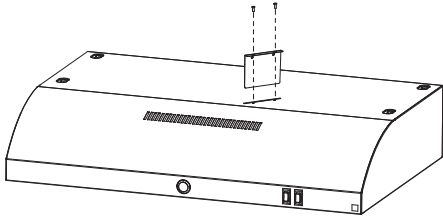
# Instrucciones de instalación

## 8 ESCOGER LA OPCIÓN DE VENTILACIÓN

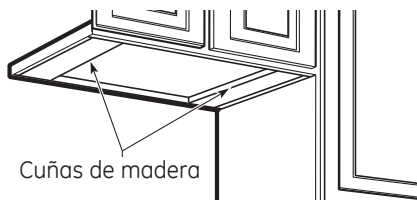
La campana puede ajustarse para ventilar hacia el exterior o para recircular el aire de regreso hacia la cocina.

- **Para ventilar hacia el exterior, consulte los pasos 5 y 6.**
- **Para recircular el aire hacia la cocina,** quite los dos tornillos que fijan el bloque del conducto de la placa. Elimine la placa. Vuelva a colocar los dos tornillos.

**Nota:** La campana se encuentra certificada por ENERGY STAR® sólo cuando elimina aire al exterior.



## 9 PARA GABINETE CON MUESCA EN EL FONDO ÚNICAMENTE

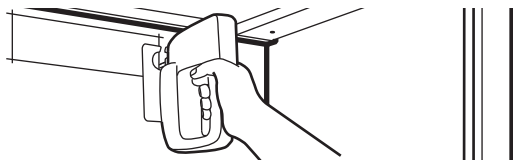


Cuñas de madera

- Si los gabinetes tienen un corte delantero, lateral o posterior, haga 2 cuñas de madera del ancho del corte y únalos al espacio en la muesca del fondo del gabinete en ambos lados. Consulte el paso 9 para la localización de las marcas.

## 10 CORTE LOS ORIFICIOS

Corte los orificios en las localizaciones marcadas para el cableado del ducto y eléctrico. Para el ducto vertical, corte 3/4" adicional hacia el frente del gabinete de manera que pueda mover el ducto libremente al instalar la campana. También puede facilitar la instalación cortando el orificio de 10 1/2" en vez de 10."



## 11 CORRA LOS CABLES

Corra los cables eléctricos a través de la pared o gabinete de acuerdo al Código Eléctrico Nacional y los códigos locales correspondientes.

**NOTA:** NO conecte el suministro eléctrico hasta que la instalación esté completa.

## 12 ATORNILLE PARCIALMENTE

Inserte un tornillo de montaje (del paquete de herramientas) parcialmente en cada centro del cuello angosto de las ranuras de bocallave marcadas en el fondo de gabinete.

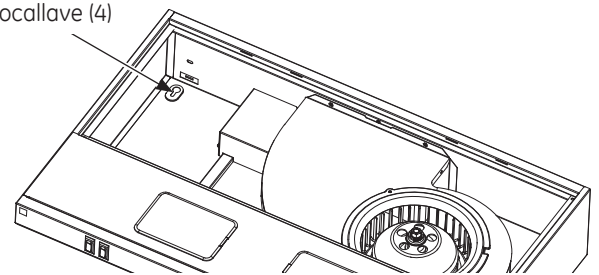
## 13 CONECTE LOS CABLES

Levante la campana hasta su posición y conecte el cableado de la casa a través de orificio ciego del cableado.

## 14 ASEGURE LA CAMPANA

Deslice la campana hacia atrás contra la pared. Apriete los tornillos de montaje. Cerciórese de que las cabezas de los tornillos estén en el cuello angosto de la ranura de bocallave.

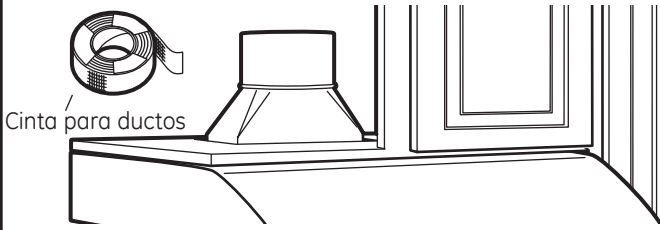
Bocallave (4)



# Instrucciones de instalación

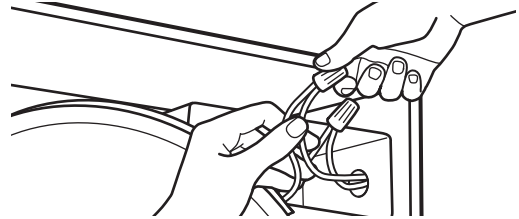
## 15 CONECTE EL DUCTO A LA CAMPANA

Use cinta para ductos para asegurar los empalmes y la hermeticidad.



## 18 CONECTE EL CABLEADO

Conecte el cable negro de la casa al cable negro de la campana, el cable blanco de la casa al cable blanco de la campana y el cable a tierra de la casa al cable verde/amarillo de la campana. Firmemente apriete la abrazadera de liberación de presión en el cableado de la casa.



16 La lámpara contiene mercurio. Maneje de acuerdo con las leyes de eliminación. Ver [www.lamprecycle.org](http://www.lamprecycle.org) o 1-800-435-4448.

Para precauciones sobre instalación, manipulación y eliminación, consulte la información de empaque de la lámpara fluorescente.

### ⚠ ADVERTENCIA:

■ *To reduce the risk of electric shock, do not connect electrical power to the hood without both lamps in place.*

### ⚠ PRECAUCIÓN:

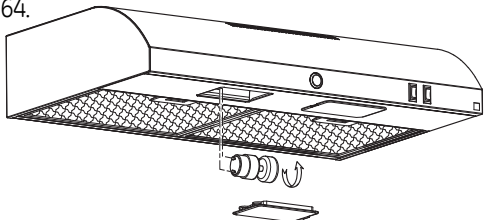
■ *No toque las lámparas de la campana cuando se encuentren encendidas. Pueden estar lo suficientemente calientes como para provocar lesiones.*

■ *Para evitar lesiones provocadas por lámparas rotas, manipúelas con cuidado y no opere la campana sin las cubiertas de las lámparas en su lugar.*

Esta campana requiere dos lámparas fluorescentes compactas (CFL) con una base GU24 (incluida) de 15 vatios como máximo.

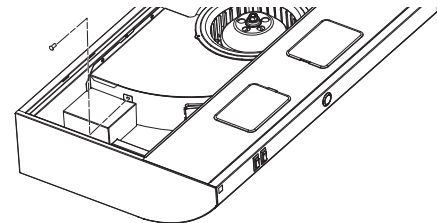
### Para cambiar las lámparas:

- 1 Cuando instale o reemplace una lámpara, asegúrese de que la energía dirigida hacia la luz se haya apagado. Nunca permita que una lámpara entre en contacto con agua.
- 2 Quite la cubierta de la lámpara deslizándola un sentido horizontal y jalándola hacia abajo y en sentido contrario de la campana.
- 3 Tome la lámpara de la porción plástica de la base de la lámpara y desenrosque la.
- 4 Coloque una lámpara fluorescente compacta GE 15W de bajo consumo con pieza de repuesto GE para base GU24: WB08X10064.



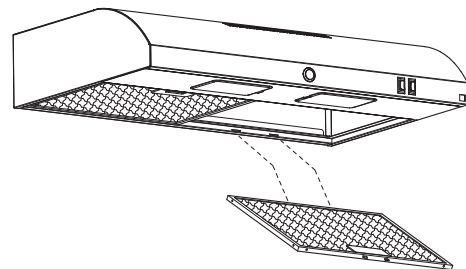
## 19 COLOQUE LA TAPA DEL CABLEADO

Vuelva a colocar la tapa del cableado.



## 20 COLOQUE LOS FILTROS

La instalación está completa. Conecte el suministro de corriente en el panel de servicio y verifique la operación correcta.



## LISTA DE VERIFICACIÓN PARA LA SOLUCIÓN DE PROBLEMAS

Si parece que la campana está operando a alta velocidad cuando el control no está en nivel alto, o si la ventilación parece incorrecta, revise lo siguiente:

- Los orificios ciegos no se retiraron de la campana.
- La hoja del regulador de tiro no abre.
- Hay menor flujo de aire ya que el ducto es demasiado pequeño o la longitud del ducto es muy prolongada.
- El ducto está bloqueado.
- La tapa de pared o techo es muy pequeña o restringida.

## 17 SIGA EL CÓDIGO ELÉCTRICO

Complete el cableado eléctrico de acuerdo con el Código Eléctrico Nacional y los códigos locales.

**NOTA:** Esta campana debe estar permanentemente conectada a tierra.

Conecte el **cableado de la casa** (120 VAC) al cableado de la campana.



Consejos para la solución de problemas  
¡Ahorre tiempo y dinero! Revise la siguiente tabla primero  
y quizás no necesite llamar a solicitar servicio.

<b>Problema</b>	<b>Posibles Causas</b>	<b>Qué hacer</b>
<b>El ventilador no opera cuando el interruptor se enciende</b>	Quizás se haya quemado un fusible o se haya saltado el interruptor de circuitos.	<ul style="list-style-type: none"> <li>Reemplace el fusible o reinicie el interruptor de circuitos.</li> </ul>
<b>El ventilador no circula el aire o mueve el aire más lentamente que lo normal</b>	Demasiada suciedad en el filtro.	<ul style="list-style-type: none"> <li>Lave y reemplace los filtros. Consulte la sección Filtros metálicos reutilizables para la grasa.</li> <li>Reemplace el filtro si está demasiado sucio para limpiarlo. Si no está sucio, o si reemplazar el filtro no soluciona el problema, llame a solicitar servicio.</li> </ul>
<b>El ventilador está permanentemente iniciando y terminando un ciclo</b>	Probablemente el motor esté sobrecalentado y se apaga solo. Esto puede ser dañino para el motor. Quizás el filtro esté demasiado sucio.	<ul style="list-style-type: none"> <li>Reemplace el filtro si está sucio. Si no está sucio, o si reemplazar el filtro no soluciona el problema, llame a solicitar servicio.</li> </ul>
<b>La lámpara fluorescente compacta parece compacta parece</b>	Esto es normal para las lámparas fluorescentes compactas especialmente en la primera instalación.	<ul style="list-style-type: none"> <li>Permita que la lámpara funcione por varios minutos. Si este tiempo de calentamiento no soluciona el problema, cambie la lámpara.</li> </ul>
<b>La lámpara fluorescente compacta parpadea brevemente al comienzo</b>	Esto es normal para las lámparas fluorescentes compactas especialmente en la primera instalación.	<ul style="list-style-type: none"> <li>Permita que la lámpara funcione por varios minutos. Si este tiempo de calentamiento no soluciona el problema, cambie la lámpara.</li> </ul>
<b>Después de cambiar una lámpara, la nueva parece tener un color distinto</b>	<p>La lámpara nueva puede tener una clasificación de color de temperatura diferente, es decir 3000K en lugar de 2700K</p> <p>La lámpara de repuesto puede ser de un fabricante diferente.</p>	<ul style="list-style-type: none"> <li>Use una lámpara GE de base GU24 de 15W con una clasificación de 2700K con número de pieza de repuesto WB08X10064.</li> <li>Use una lámpara GE de base GU24 de 15W con un número de pieza de repuesto WB08X10064.</li> </ul>

*Notes.*

---

# Garantía de GE para su campana para ventilación de estufa.



Todos los servicios de garantía los proporcionan nuestros Centros de Reparación de Fábrica o nuestros técnicos Customer Care® autorizados. Para concertar una cita de reparación en línea, visítenos en [GEAppliances.com](http://GEAppliances.com), o llame al 800.GE.CARES (800.432.2737). Cuando llame para solicitar servicio, por favor tenga a mano el número de serie y el número de modelo.

Pegue aquí su recibo.  
Se requiere facilitar prueba de la fecha de compra original para obtener un servicio bajo la garantía.

Por el período de:	GE reemplazará:
<b>Un año</b> A partir de la fecha de la compra original	<b>Cualquier parte</b> de la campana para ventilación de estufa que falle debido a defectos en los materiales o en la fabricación. Durante este <b>garantía limitada de un año</b> , GE también proporcionará, <b>sin costo alguno</b> , toda la mano de obra y los servicios internos para reemplazar partes defectuosas.

## Lo que no está cubierto por GE:

- Viajes de servicio a su casa para enseñarle cómo usar el producto.
- Instalación, entrega o mantenimiento inapropiada.
- Fallas del producto si hay abuso, mal uso, o uso para otros propósitos que los propuestos, o uso para fines comerciales.
- Reemplazo de fusibles de su casa o reajuste de interruptores de circuito.
- Daño al producto causado por accidente, fuego, inundaciones o actos de Dios.
- Daño incidental o consecuencial causado por posibles defectos con el aparato.
- Daño causado después de la entrega.
- Producto no accesible para facilitar el servicio requerido.

**EXCLUSIÓN DE GARANTÍAS IMPLÍCITAS—Su único y exclusivo derecho es la reparación del producto, tal y como se indica en esta Garantía limitada. Cualquier garantía implícita, incluyendo las garantías implícitas de comerciabilidad o adecuación para un fin determinado, están limitadas a un año o el período de tiempo más breve permitido por la ley.**

Esta garantía se extiende al comprador original y cualquier comprador posterior de productos comprados para uso residencial dentro des Estados Unidos. Si el producto está situado en un área que no dispone de servicio por parte de un proveedor de servicio autorizado de GE, podría tener que hacerse cargo de los costes de envío o bien podría solicitársele que lleve el producto a un centro de servicio de GE autorizado para realizar la reparación. En Alaska, la garantía excluye el costo de envío o las visitas de servicio a su casa.

Algunos estados no permiten la exclusión o las limitaciones de daños incidentales o consecuenciales. Esta garantía da derechos legales específicos, y usted podría tener otros derechos que variarán de estado a estado. Para saber cuáles son sus derechos legales, consulte a la oficina de asuntos del consumidor local o la oficina del Procurador (Attorney General) en su localidad.

## Soporte al Consumidor.

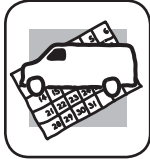
---



### **Página Web de GE Appliances**

[GEAppliances.com](http://GEAppliances.com)

¿Tiene alguna pregunta sobre su electrodoméstico? ¡Pruebe la página Web de GE Appliances 24 horas al día, cualquier día del año! Para mayor conveniencia y servicio más rápido, ya puede descargar los Manuales de los Propietarios, pedir piezas o incluso hacer una cita en línea para que vengan a realizar una reparación.



### **Solicite una reparación**

[GEAppliances.com](http://GEAppliances.com)

El servicio de expertos GE está a tan sólo un paso de su puerta. ¡Entre en línea y solicite su reparación cuando le venga cualquier día del año! O llame al 800.GE.CARES (800.432.2737) durante horas normales de oficina.



### **Real Life Design Studio (Estudio de diseño para la vida real)**

[GEAppliances.com](http://GEAppliances.com)

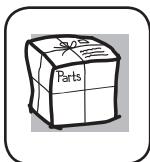
GE apoya el concepto de Diseño Universal—productos, servicios y ambientes que pueden usar gente de todas las edades, tamaños y capacidades. Reconocemos la necesidad de diseñar para una gran gama de habilidades y dificultades físicas y mentales. Para más detalles sobre las aplicaciones de GE Diseño Universal, incluyendo ideas de diseño para la cocina para personas con discapacidades, mire nuestra página Web hoy mismo. Para personas con dificultades auditivas, favor de llamar al 800.TDD.GEAC (800.833.4322).



### **Garantías ampliadas**

[GEAppliances.com](http://GEAppliances.com)

Compre una garantía ampliada y obtenga detalles sobre descuentos especiales disponibles mientras su garantía está aún activa. Puede comprarla en línea en cualquier momento, o llamar al 800.626.2224 durante horas normales de oficina. GE Consumer Home Services estará aún ahí cuando su garantía termine.



### **Piezas y accesorios**

[GEAppliances.com](http://GEAppliances.com)

Aquellos individuos con la calificación necesaria para reparar sus propios electrodomésticos pueden pedir que se les manden las piezas o accesorios directamente a sus hogares (aceptamos las tarjetas VISA, MasterCard y Discover). Haga su pedido en línea hoy, 24 horas cada día o llamar por teléfono al 800.626.2002 durante horas normales de oficina.

**Las instrucciones descritas en este manual cubren los procedimientos a seguir por cualquier usuario. Cualquier otra reparación debería, por regla general, referirse a personal calificado autorizado. Debe ejercerse precaución ya que las reparaciones incorrectas pueden causar condiciones de funcionamiento inseguras.**



### **Póngase en contacto con nosotros**

[GEAppliances.com](http://GEAppliances.com)

Si no está satisfecho con el servicio que recibe de GE, póngase en contacto con nosotros en nuestra página Web indicando todos los detalles así como su número de teléfono o escribanos a:

General Manager, Customer Relations  
GE Appliances, Appliance Park  
Louisville, KY 40225



### **Registre su electrodoméstico**

[GEAppliances.com](http://GEAppliances.com)

¡Registre su nuevo electrodoméstico en línea—cuando usted prefiera! El registrar su producto a tiempo le proporcionará, si surgiera la necesidad, una mejor comunicación y un servicio más rápido bajo los términos de su garantía. También puede enviar su tarjeta de registro pre-impresa que se incluye en el material de embalaje.