

Installation instructions for your new

Gas Dryer

Before you begin - Read these instructions completely and carefully.
 IMPORTANT - Save these instructions for local inspector's use.
 IMPORTANT - OBSERVE ALL GOVERNING CODES AND ORDINANCES.
 Note to Installer - Be sure to leave these instructions with the consumer.
 Note to Consumer - Keep these instructions with your Owner's Manual for future reference.



WARNING - POTENTIAL FIRE AND SHOCK HAZARD

- Use only rigid metal or flexible metal 4" diameter ductwork for exhausting to the outdoors. Never use plastic or other combustible ductwork.
- This appliance must be properly grounded and installed as described in these instructions.
- Do not install or store appliance in an area where it will be exposed to water/weather.
- The National Fuel Gas Code restricts installations of gas appliances in garages. They must be 18" off the ground and protected by a barrier from vehicles.

Important

- This dryer must be exhausted to the outdoors.
- Service information and wiring diagram located in control console.

Tools you will need

- Slip joint pliers
- Screwdriver

Installation

Step 1

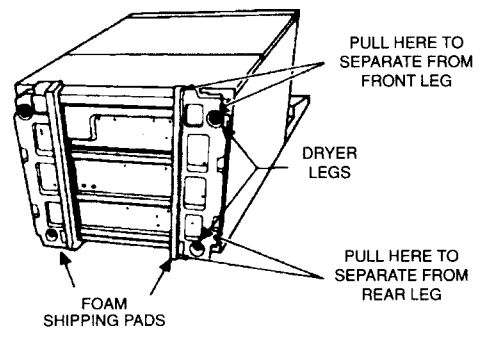
Remove and save literature and parts package from dryer drum.

Step 2

Lay carton corner post or two 2"x4" boards on the floor. Lay dryer on its back.

Step 3

Remove foam shipping pads by pulling at sides and breaking away from dryer legs. Be sure to remove all foam pieces from around legs.



Step 4

Stand dryer upright.

Step 5

Move dryer to desired operating location.

Step 6

Adjust leveling legs to match washer height. Dryer must be level and rest firmly on all four leveling legs.

Step 7

Connect gas supply. (See GAS CONNECTION INFORMATION section of this instruction.)

Step 8

Connect to power supply. (See ELECTRICAL CONNECTION INFORMATION section of this instruction.)

Step 9

Connect external exhaust. (See EXHAUST INFORMATION section of this instruction.)

- Check for proper operation.

Step 10

Place Owner's Manual and Installation Instructions in a location where they may be found by the customer.

Electrical Connection Information

⚠ WARNING: TO REDUCE THE RISK OF FIRE, ELECTRIC SHOCK AND PERSONAL INJURY:

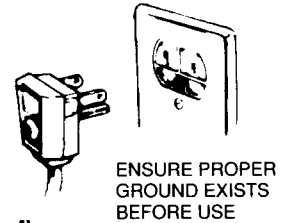
DO NOT USE AN EXTENSION CORD OR AN ADAPTER PLUG WITH THIS APPLIANCE.
DO NOT, UNDER ANY CIRCUMSTANCES, CUT OR REMOVE THE THIRD GROUNDING PRONG FROM THE POWER CORD.

Dryer must be electrically grounded in accordance with local codes and ordinances, or in the absence of local codes, in accordance with the NATIONAL ELECTRICAL CODE, ANSI/NFPA NO. 70.

Electrical Requirements

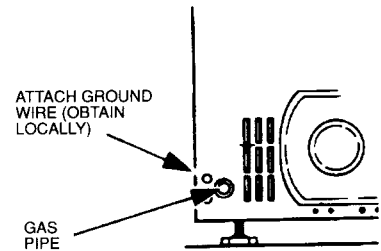
- This appliance must be supplied with 120V, 60Hz, and connected to a properly grounded branch circuit, protected by a 15 or 20 amp circuit breaker or time-delay fuse.

If the electric supply provided does not meet the above specifications, it is recommended that a licensed electrician install an approved outlet.



External Ground (if required)

An external ground wire, (not provided), which meets local codes, may be added by attaching to the green ground screw on the rear of the dryer, and to grounded metal cold water pipe or other established ground.



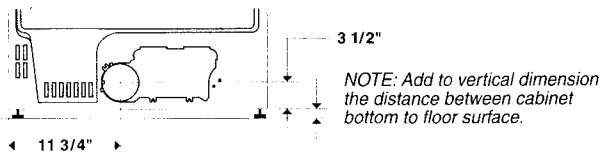
Exhaust information

⚠ WARNING: TO REDUCE THE RISK OF FIRE AND PERSONAL INJURY:

- This dryer must be exhausted to the outdoors.
- Use only metal duct for exhausting dryer outdoors.
- Do not terminate exhaust in a chimney, any gas vent, under an enclosed floor (crawl space), or into an attic. The accumulated lint could create a fire hazard.
- Provide an access for inspection and cleaning of the exhaust system, especially at turns. Inspect and clean at least once per year.
- Never terminate the exhaust into a common duct with a kitchen exhaust. A combination of lint and grease could create a fire hazard.
- Do not obstruct incoming or exhausted air.

Rear Exhaust Location

This dryer comes ready for rear exhausting.



Steps to change Dryer to Left Side or Bottom Exhaust

(NOTE: THE DRYER CANNOT BE EXHAUSTED THRU RIGHT SIDE OF DRYER)

1. Remove Access Panel.



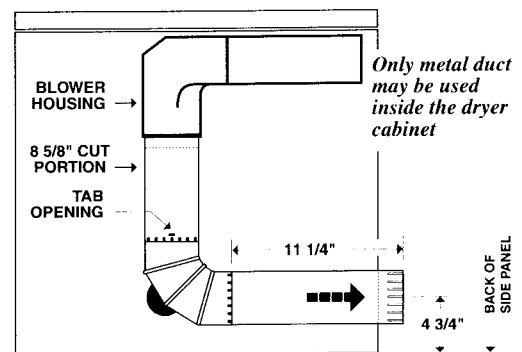
2. Straighten up the tab inside the exhaust duct at the back of the appliance, then remove the internal duct connected to the blower housing.



3. Cut the duct as shown.



4. Reconnect and secure the cut portion of the duct to the blower housing. Make sure that the tab portion is at the bottom of the duct.



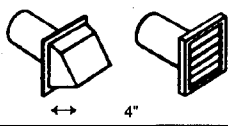
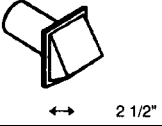
NOTE: To secure the duct, insert the tab (located on the appliance base) in the opening and bend it.

5. Detach and remove the desired knockout.
6. Use standard metal elbow and duct to exhaust.
7. Cover the opening at the back with the plate provided on the back of the appliance.

Exhaust Information (cont.)

Exhaust Length

The MAXIMUM ALLOWABLE length of the exhaust system depends upon the type of duct, number of turns, the type of exhaust hood (wall cap), and all conditions noted below. The maximum allowable length for both rigid and flexible metal duct is shown in the table below.

	RECOMMENDED MAXIMUM LENGTH			
	Weather Hood Type			
	Recommended		Use only for short run installations	
	 4"		 2 1/2"	
No. of 90° elbows	Rigid	Flexible Metal	Rigid	Flexible Metal
0	45 Feet	30 Feet	30 Feet	15 Feet
1	35 Feet	20 Feet	20 Feet	10 Feet
2	25 Feet	10 Feet	10 Feet	
3	15 Feet			

* Do not use non metallic flexible duct.

Parts Available from Local Service Organization

• Rigid Metal Duct Components

- 4" X 1' Duct
- 4" X 2' Duct
- 4" Elbow
- 4" Aluminum Hood

• Flexible Metal Duct Components

- Kit WX8X66 7' Aluminum Duct, 4" hood and two clamps.
- 7' Aluminum Flexible Duct
- 4" Clamps (2)
- 4" Aluminum Hood
- UL-Listed Clothes Dryer Transition Duct

Exhaust System Check List

HOOD or WALL CAP

- Terminate in a manner to prevent back drafts or entry of birds or other wildlife.
- Termination should present minimal resistance to the exhaust air flow and should require little or no maintenance to prevent clogging.
- Never install screen over exhaust duct.
- Wall caps must be installed at least 12" above ground level or any other obstruction with the opening pointed down.
- If roof vents or louvered plenums are used, they must be equivalent to a 4" dampered wall cap in regard to resistance to air flow, prevention of back drafts and maintenance required to prevent clogging.

SEPARATION OF TURNS

For best performance, separate all turns by at least 4 ft. of straight duct, including distance between last turn and dampered wall cap.

TURNS OTHER THAN 90°

- One turn of 45° or less may be ignored.
- Two 45° turns should be treated as one 90°.
- Each turn over 45° should be treated as one 90°.

SEALING OF JOINTS

- All joints should be tight to avoid leaks. The male end of each section of duct must point away from the dryer.
- Do not assemble the duct work with fasteners that extend into the duct. They will serve as a collection point for lint.
- Duct joints can be made air and moisture-tight by wrapping the overlapped joints with duct tape.

INSULATION

Duct work which runs through an unheated area or is near an air conditioning duct, should be insulated to reduce condensation and lint build up.

Gas Connection Information

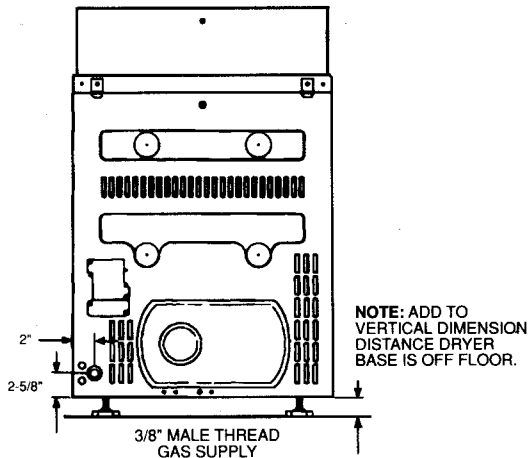
Installation must conform with local codes and ordinances, or in their absence the NATIONAL FUEL GAS CODE, ANSI Z223.1.

Gas Valve and Burner

This gas dryer is equipped with a Valve & Burner Assembly for use only with natural gas. Using a separate conversion kit, your local Service organization can convert this dryer for use with gases listed on the rating plate. ALL CONVERSIONS MUST BE MADE BY PROPERLY TRAINED AND QUALIFIED PERSONNEL AND IN ACCORDANCE WITH LOCAL CODES AND ORDINANCE REQUIREMENTS.

Gas Supply

- Supply line is to be 1/2" rigid pipe, (3/8" copper tubing may be used if the dryer is operated on Liquefied Petroleum gas), and equipped with an accessible shutoff within 6 feet of, and in the same room with the dryer. Increase pipe size for runs longer than 20 feet.
- Dryer Gas Supply Location.



- Pipe dope must be resistant to the action of L.P. gases and applied sparingly to all male threads.
- If local codes permit, it is recommended the dryer be connected to the gas supply with a flexible metal connector.

! WARNING: Never reuse old flexible connectors. The use of old flexible connectors can cause gas leaks and personal injury. Always use **NEW** flexible connectors when installing a gas appliance.

- A 1/8" National Pipe Taper thread plugged tapping, accessible for test gauge connection, must be installed immediately upstream of the gas supply connection to the dryer. Contact your local gas utility should you have questions on the installation of the plugged tapping.

• Protection of Dryer During Pressure Test:

- When test pressure is in excess of 1/2 PSIG (3.45kPa), disconnect dryer from gas supply line prior to test.
- When test pressure is equal to or less than 1/2 PSIG (3.45kPa), close the shutoff valve upstream of the dryer, prior to test.
- After gas supply is connected to dryer, open external shutoff valve.

Leak Test

Check all connections for leaks with soapy solution or equivalent. Leak test solutions must not contain ammonia which could cause damage to brass fittings or pipe. CAUTION: NEVER USE AN OPEN FLAME TO TEST FOR GAS LEAKS.

Special Installation Requirements

Alcove or Closet Installation

- If your dryer is approved for installation in an alcove or closet it will be stated on a label on the dryer back.
- The dryer **MUST** be exhausted to the outdoors. See EXHAUST INFORMATION section.
- Minimum clearances between dryer cabinet and adjacent walls or other surfaces are:
 - 0" either side
 - 3" front and rear
- Minimum vertical space from floor to overhead cabinets, ceilings, etc. is 52".
- Closet doors must be louvered or otherwise ventilated and must contain a minimum of 60 sq. in. of open area equally distributed. If this closet contains both a washer and a dryer, doors must contain a minimum of 120 sq. in. of open area equally distributed.
- The closet should be vented to the outdoors to prevent gas pocketing in case of a gas leak in the supply line.
- No other fuel-burning appliance shall be installed in the same closet with the dryer.

Bathroom or Bedroom Installation

- The dryer **MUST** be exhausted to the outdoors. See EXHAUST INFORMATION section.
- The installation must conform with the local codes, or in the absence of local codes, with the National Fuel Gas Code, ANSI Z223.

Minimum Clearances other than Alcove or Closet Installations

- Minimum clearances to combustible surfaces:
 - 0" clearance both sides and 1" rear.

Mobile or Manufactured Home Installation

- Installation must conform to the MANUFACTURED HOME CONSTRUCTION & SAFETY STANDARD, TITLE 24 CFR, PART 32-80, or when such standard is not applicable, with AMERICAN NATIONAL STANDARD FOR MOBILE HOMES, ANSI/NFPA NO. 501B.
- The dryer must be exhausted to the outdoors with the termination securely fastened to the mobile home structure. (See EXHAUST INFORMATION section.)
- The exhaust **MUST NOT** be terminated beneath a mobile or manufactured home.
- The exhaust duct material **MUST BE METAL**.
- KIT 14-D3A6-33 **MUST** be used to attach dryer securely to the structure.

SERVICING: Consideration must be given to provide adequate clearances for installation and servicing.



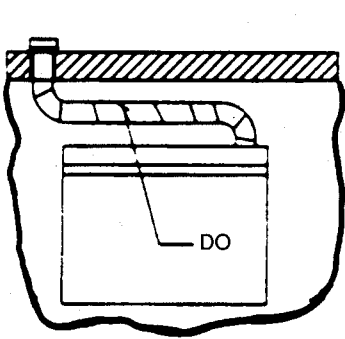
CAUTION: Label all wires prior to disconnection when servicing controls. Wiring errors can cause improper and dangerous operation (verify proper operation after servicing/installation).

Additional Installation Instructions

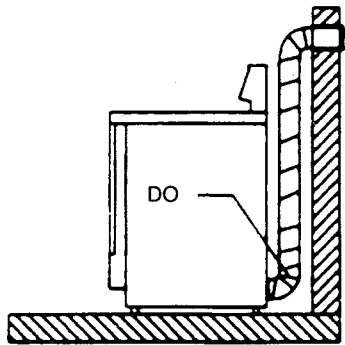
If all rigid metal duct cannot be used, then flexible all metal venting can be used, but it will reduce the maximum recommended duct length. In special installations when it is impossible to make a connection with the above recommendations, then UL listed **clothes dryer transition duct** may be used as transition venting between the dryer and wall connection only. The use of this ducting will affect dry time.

If **flexible** transition duct is necessary, only UL listed duct identified for use with clothes dryers is approved. The following directions **must be followed**.

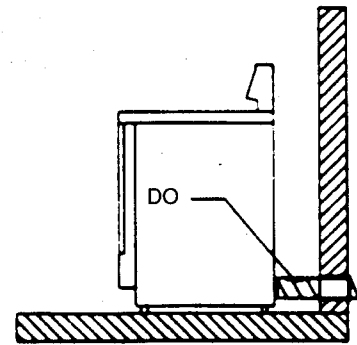
- Use the Shortest Length Possible.
- Stretch the Duct to its Maximum Length.
- Do Not Crush or Collapse.
- Never Use Transition Duct Inside the Wall, or Inside the Dryer.
- Avoid Resting the Duct on Sharp Objects.
- Venting Must Conform to Local Building Codes.



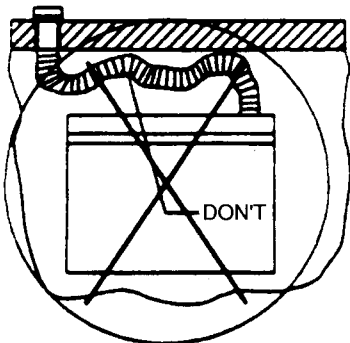
CORRECT



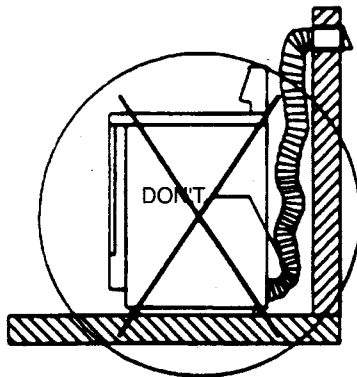
CORRECT



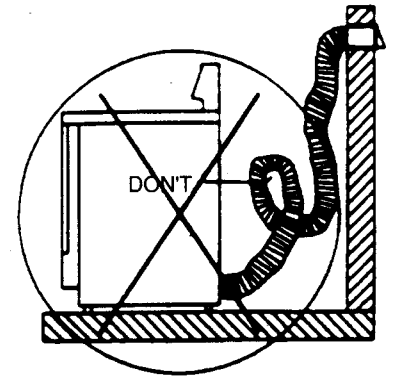
CORRECT



INCORRECT



INCORRECT



INCORRECT

NEVER USE PLASTIC OR OTHER COMBUSTIBLE DUCTWORK