

## FFAR22LPLUS

20.18" x 17.38" x 19.9" (H x W x D)

Compact auto defrost all-refrigerator with lock, internal fan and traceable thermometer

### Highlights:

Factory installed lock provides security you can count on

Internal fan complete with gel packs for stabilized interior

Traceable thermometer provides external readout of current and high/low temperature

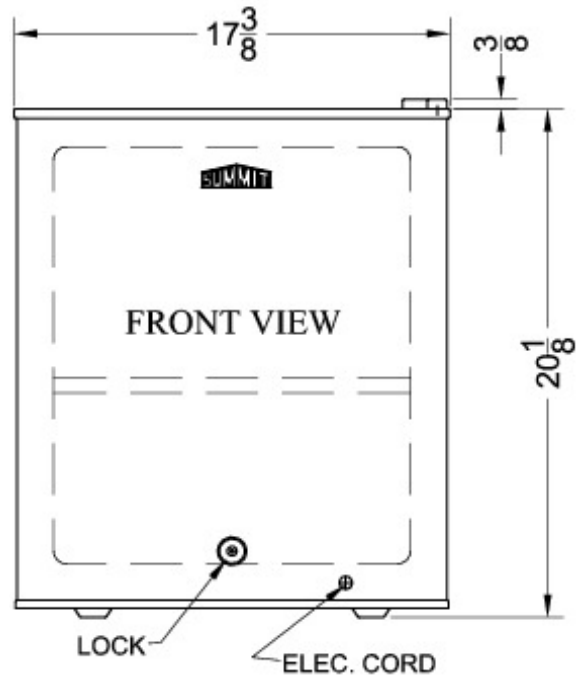
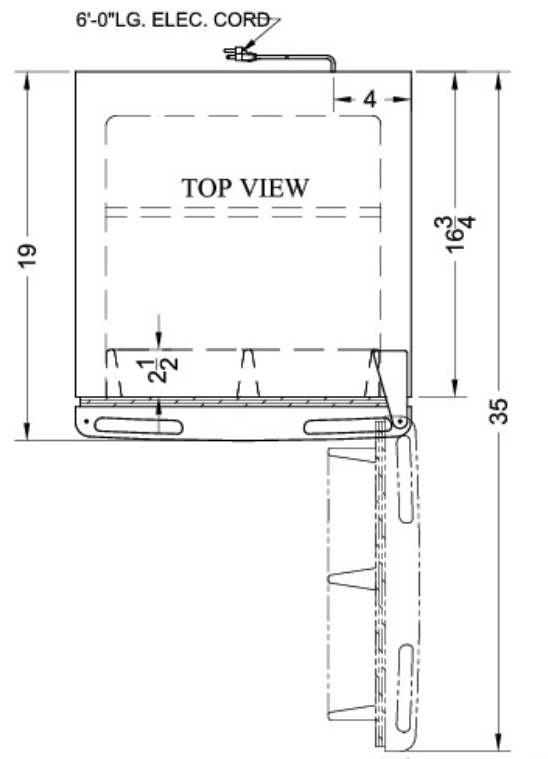
Compact size is ideal for countertop use



Automatic defrost	Reduced maintenance with auto defrost system
Factory installed lock	Keyed lock for secure interior
Traceable thermometer	Thermometer provides external readout of current and high/low temperatures
Internal fan with gel packs	Fan-forced cooling ensures the unit is evenly cooled from top to bottom
Removable shelf	Wired shelf provided
Door storage	Store items right on the door for easy access
Removable shelf	Wired shelf provided
Adjustable thermostat	Rear mounted to prevent accidental adjustments
100% CFC Free	Environmentally friendly design with no ozone-damaging chemicals

## Specifications:

Height	20.18"
Width	17.38"
Depth	19.9"
Capacity	1.6 cu.ft.
Interior Height 1	16.5"
Interior Width 1	14.18"
Interior Depth 1	14.5"
Comp Step Height	6.75"
Comp Step Width	14.18"
Comp Step Depth	5.25"
Shipping Weight	55.0 lbs.
Weight	35.3 lbs.
Canadian Electrical Safety	CSA
US Electrical Safety	CSA
Amps	1.2
Voltage/Frequency	115 V AC/60 Hz
Reversible	Factory Reversible
Door Swing	RHD
Shelf Quantity	1
Adjustable Shelf	true
Shelf Type	Wire
Full Door Shelf Quantity	1
Half Door Shelf Quantity	1
Defrost Type	Automatic
Height to Hinge Cap	20.5"
Fan Type	Interior
Thermostat Type	Dial
High Side PSI	270.0
Level Legs Quantity	2
Freon Oz	1.94
Freon Type	R134a
Low Side PSI	103.0
Parts/Labor Warranty	1 Year
Compressor Warranty	5 Years



Summit Appliance Division, Felix Storch, Inc.  
 770 Garrison Ave • Bronx, NY 10474  
 Phone: 718-893-3900 • Fax: 718-842-3093  
 Email: [info@summitappliance.com](mailto:info@summitappliance.com)