

# Viking Installation Guide



Viking Range Corporation

111 Front Street

Greenwood, Mississippi 38930 USA

(662) 455-1200

For product information,

call 1-888-VIKING1 (845-4641)

or visit the Viking Web site at

[vikingrange.com](http://vikingrange.com)

**PURHK30BR Professional Brass Handle Kit**  
For Use with VUAR & VURI Undercounter/Freestanding  
15" & 24" W. Beverage Centers

# IMPORTANT—Please Read and Follow!

- Before beginning, please read these instructions completely and carefully.
- Use caution during assembly to minimize scratches.
- The installer should leave instructions with the customer who should retain for future reference.

## Parts Included

Part	Quantity
Professional Series Handle	(1)
Top End Cap	(1)
Bottom End Cap	(1)
Viking Self-Adhesive Logo	(1)
Installation Instructions	

## Required Tools

- 3/32 Allen Wrench
- 2" Plastic Putty Knife

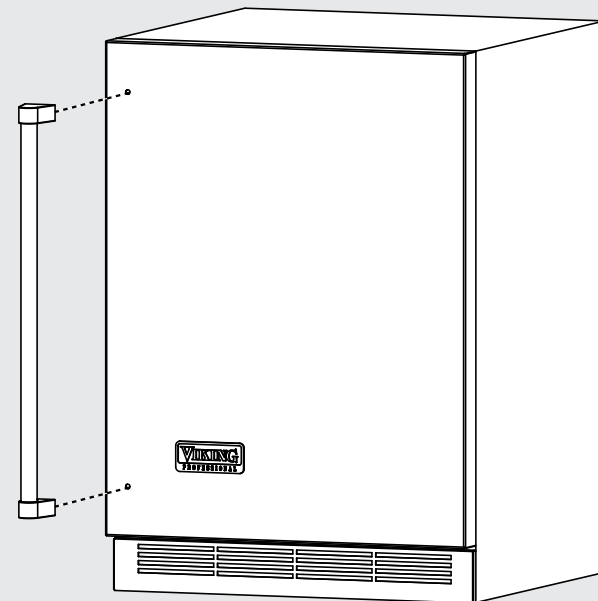
## Handle & Logo Removal

To remove factory-installed handle:

1. Locate and loosen set screw on the bottom end cap. Set screw is located on the underside of the end cap. Set screws need only be loosened and do not have to be removed completely.
2. Repeat for the top end cap.
3. Carefully remove the handle assembly to expose mounting studs.

To remove factory-installed logo:

1. Apply acetone cleaner around the perimeter of the logo. Wait 1 to 3 minutes to allow the cleaner to penetrate the adhesive.
2. Slowly pry the logo away from the door with the plastic putty knife. Do not use metal objects or excessive force as this could damage the surface of the door.
3. Once the logo and adhesive are removed, clean the surface with mild soap and water and dry thoroughly.



## Handle & Logo Installation

To install brass handle assembly:

1. Assemble the handle and end caps as shown. The handle will fit tightly, but is not intended to form permanent bond.
2. Position the handle assembly over the mounting studs.
3. Secure the bottom end cap to the bottom mounting stud by turning the set screw; do not tighten.
4. Secure the top end cap to the top mounting stud in similar fashion.
5. Ensure that the door, end caps and handle are properly aligned.
6. Tighten top and bottom set screws.

To apply the brass logo:

1. Mark the location of the new logo as shown.
2. Wipe the surface with alcohol and allow to dry.
3. Remove protective backing and apply the logo.

