



Freestanding Ranges

FGEF306TM F/W/B

30" Electric



Product Dimensions

Height (Max.)	49"
Width	29-7/8"
Depth (Including Handle)	28-1/4"

More Easy-To-Use Features

True Convection²

Multi-rack baking is faster and more even with True Convection.

Quick Boil

Boils water faster.

SpaceWise® Expandable Elements

Flexible 6" to 9" and 9" to 12" elements expand to meet your cooking needs.

One-Touch Options

Our ovens feature easy-to-use one-touch buttons so you can cook pizza or chicken nuggets — or even add a minute to the timer — with the touch of a button.

Effortless™ Convection

Takes the guesswork out of convection cooking — our oven does the converting for you.

Keep Warm Zone

Keep food warm until everything — and everyone — is ready.

Real Stainless Steel³

Real stainless steel with a protective coating that reduces fingerprints and smudges so it's easy to clean.

Sabbath Mode (Star-K® Certified)

Available in:



Elements	Size	Watts
Right Front	9" / 12" Expandable	1,800 / 3,000
Right Rear	6"	1,200
Left Front	6" / 9" Expandable	1,600 / 3,000
Left Rear	6"	1,200
Center	Keep Warm Zone	100

Signature Features



Symmetry Double Ovens

Two large ovens, each big enough to cook a 28-pound turkey, provide the flexibility to cook multiple dishes at the same time at different temperatures.



Fits-More™ Cooktop

With five elements including two SpaceWise® Expandable elements and a Warming Zone so you can cook more at once.



Quick Preheat

Preheat in just four minutes!



Precision Set™ Controls

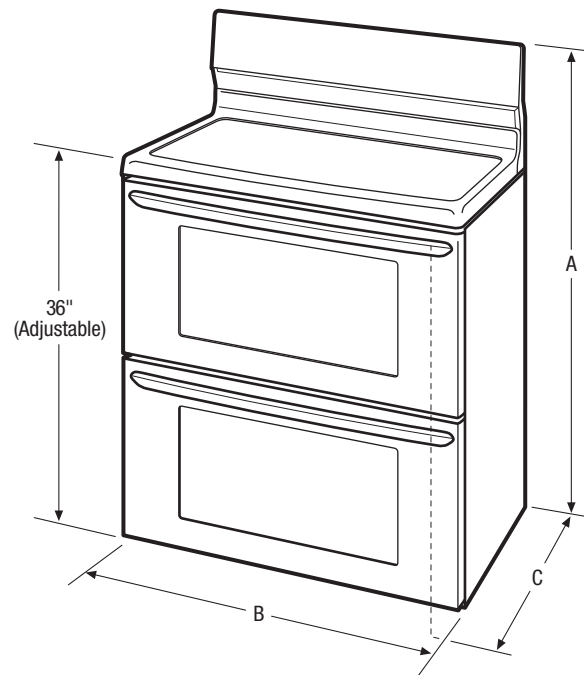
Adjust heat levels more precisely, providing exceptional temperature control.

¹Based on single rack cooking performance, not set temperature, using Quick Preheat.

²Upper oven only.

³Select model only.

Features	
Oven Control/Timing System	Precision Set™ Controls
Surface Type	Black Ceramic Glass (F), Color-C. Ceramic Gl. (W/B)
Window	Large
Exterior Door Finish	Real Stainless Steel (F), Color-Coordinated (W/B)
Handle Design	Stainless Steel (F), Color-Coordinated (W/B)
Exterior Finish (Side Panels)	Black (F), Color-C. (W/B)
Convection System	True Convection (Upper)
Oven Cleaning System	Self Clean
Oven Controls	
Bake/Broil	Yes/Variable (400 - 550 °F)
Effortless™ Convection Conversion	Yes (Upper)
Convection Bake/Broil/Roast	Yes/Yes/Yes (Upper)
Quick Bake Convection	
Quick Preheat	Yes
My Favorite	
Chicken Nugget Button	Yes
Pizza Button	Yes
Keep Warm	Yes
Add-a-Minute	Yes
Delay Start	Yes
Self Clean	Yes
Quick Clean Option	2, 3, 4 Hours
Delay Clean	Yes
Kitchen Timer / Timed Cook Option	Yes/Yes
Auto Oven Shut-Off	6 Hours
Cooktop Features	
Right Front Element (Watts)	SpaceWise® Expandable 9"/12" - 1,800/3,000
Right Rear Element (Watts)	6" - 1,200
Left Front Element (Watts)	SpaceWise® Expandable 6"/9" - 1,600/3,000
Left Rear Element (Watts)	6" - 1,200
Bridge Element (Watts)	
Center Element (Watts)	Keep Warm Zone - 100
Oven Features	
Upper/Lower Oven Capacity (Cu.Ft.)	3.5/3.5
Upper/Lower Oven Light	1/1
Hidden Bake Element	Yes
Rack Configurations	2 Handle Racks, 2 Offset Racks
Baking System	Even Baking Technology
Broiling System	Vari-Broil™
Upper Bake/Broil Burners (Watts)	2,500/3,400
Lower Bake/Broil Burners (Watts)	2,500/3,400
Certifications	
Sabbath Mode (Star-K® Cert.)	Yes
Specifications	
Upper Oven Interior (H x W x D)	12-3/4" x 24-1/8" x 19-1/2"
Lower Oven Interior (H x W x D)	12-3/4" x 24-1/8" x 19-1/2"
Power Supply Connection Location	Left Bottom Rear
Voltage Rating	240V/208V/60Hz
Connected Load (kW Rating) @ 240/208 Volts	15.6/11.8
Minimum Circuit Required (Amps)	40
Shipping Weight (Approx.)	256 Lbs.



NOTE: For planning purposes only. Always consult local and national electric codes. Refer to Product Installation Guide for detailed installation instructions on the web at frigidaire.com.



Product Dimensions		Cutout Dimensions	
A - Height (Max.)	49"	Height (Standard)	36"
B - Width	29-7/8"	Width (Min.)	30"
C - Depth (Including Handle)	28-1/4"	Depth (Min.)	24"
Depth with Door Open 90°	42"		

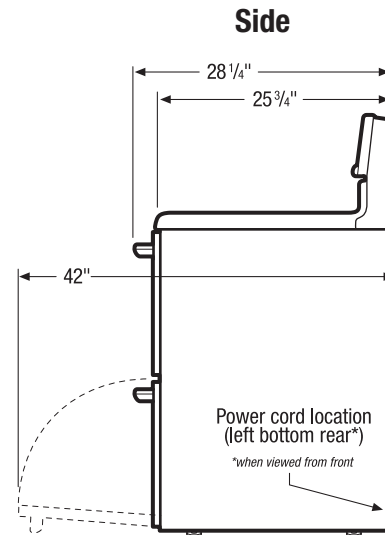
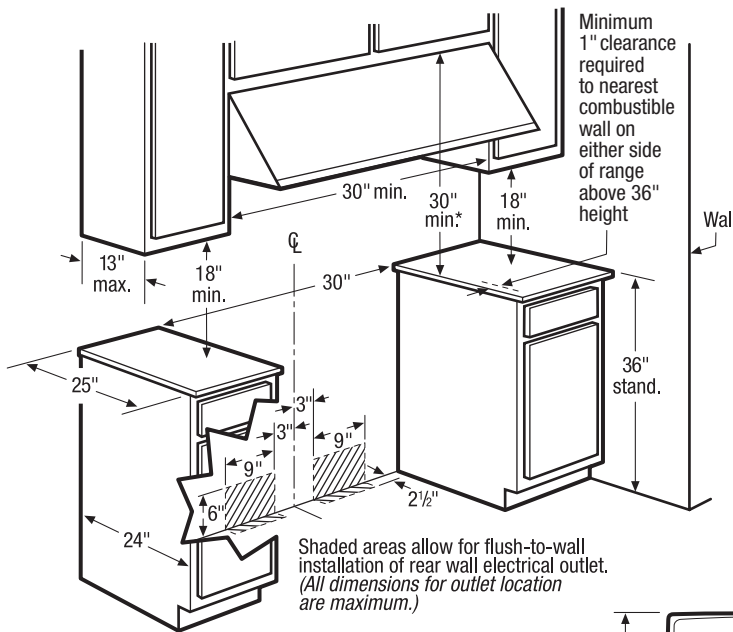
Accessories information available on the web at frigidaire.com

FRIGIDAIRE

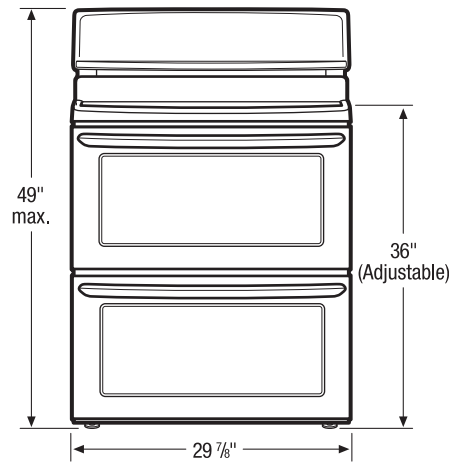
USA • 10200 David Taylor Drive • Charlotte, NC 28262 • 1-800-FRIGIDAIRE • frigidaire.com
 CANADA • 5855 Terry Fox Way • Mississauga, ON L5V 3E4 • 1-800-265-8352 • frigidaire.ca
 FGEF306TM 08/11

© 2011 Electrolux Home Products, Inc.

Specifications subject to change.
 Printed in the U.S.A.



Front



***Note:** 30" minimum clearance between top of cooking surface and bottom of unprotected wood or metal overhead cabinet; or 24" minimum clearance when bottom of wood or metal overhead cabinet is protected by not less than 1/4" flame-retardant millboard covered with not less than No. 28 MSG sheet steel, 0.015" stainless steel, 0.024" aluminum or 0.020" copper. 0" clearance is minimum for rear of range. Follow all dimension requirements provided above to prevent property damage, potential fire hazard, and incorrect countertop and cabinet cuts.

Freestanding Range Specifications

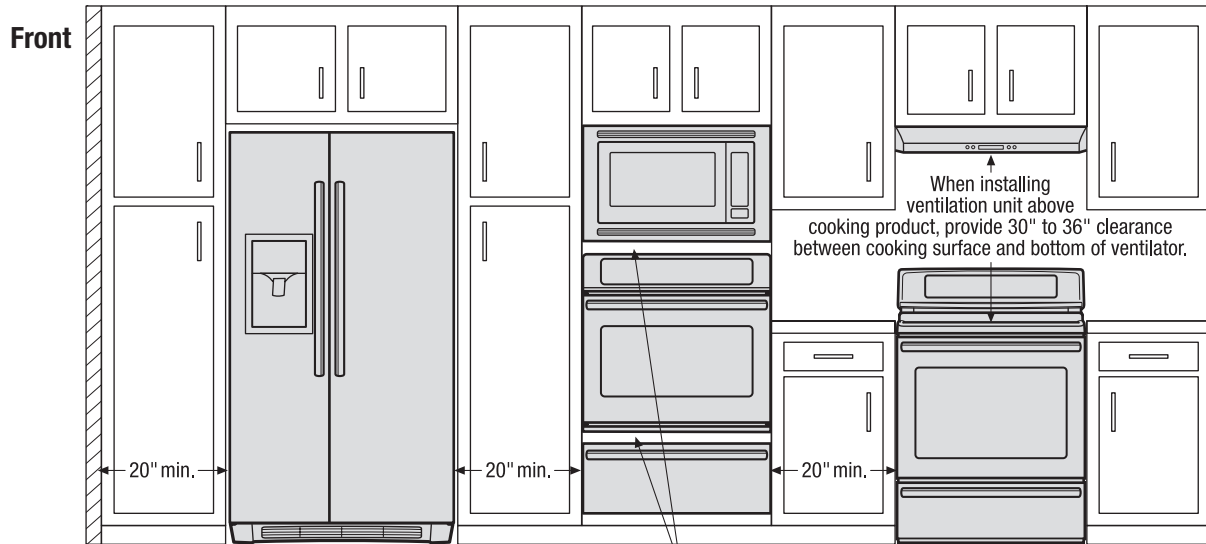
- Product Shipping Weight (approx.) - 256 Lbs.
- Single phase 3- or 4-wire cable, 120/240 or 120/208 Volt, 60 Hertz, fused on both sides of line with ground.
- Connected Load (kW Rating) @ 240/208 Volts = 15.6/11.8kW
- Recommended Circuit Breaker - 40 Amps
- Always consult local and national electric codes.
- Floor beneath range MUST be solid and level.
- Overhead cabinetry should not exceed a 13" maximum depth.
- Absolute minimum horizontal distance between overhead cabinets installed to either side of appliance must be no less than maximum width of appliance.
- Range can be installed flush to wall with 0" minimum rear clearance.
- Minimum 1" clearance required from edge of rangetop to nearest combustible wall on either side of range above 36" height.

- Allow 30" minimum clearance between top of cooking surface and bottom of unprotected wood or metal overhead cabinet; or 24" minimum clearance when bottom of wood or metal overhead cabinet is protected by not less than 1/4" flame retardant millboard covered with not less than No. 28 MSG sheet steel, 0.015" stainless steel, 0.024" aluminum or 0.020" copper.
- To reduce risk of fire when using overhead cabinetry, install range hood that projects horizontally a recommended minimum of 5" beyond bottom of cabinets.
- Follow all dimension requirements provided to prevent property damage, potential fire hazard, and incorrect countertop and cabinet cuts.

Note: For planning purposes only. Refer to Product Installation Guide on the web at frigidaire.com for detailed instructions.

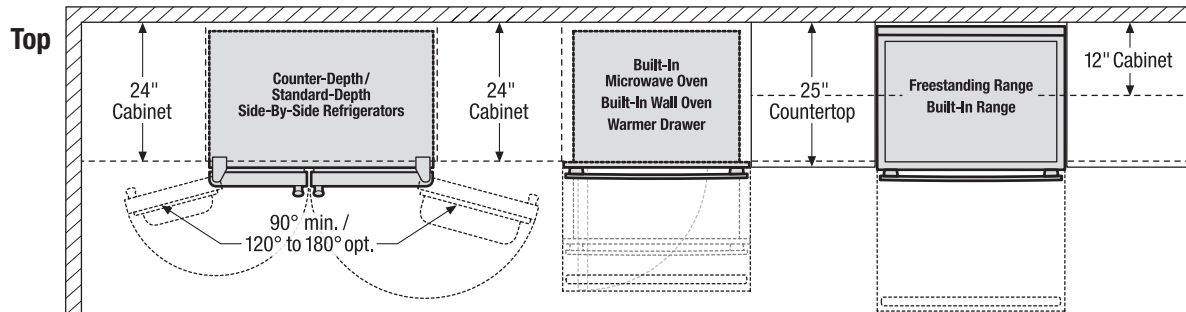


Use these dimensions and clearance instructions for planning purposes only. For detailed installation instructions, refer to installation guide, packed with product, or on the web at frigidaire.com.



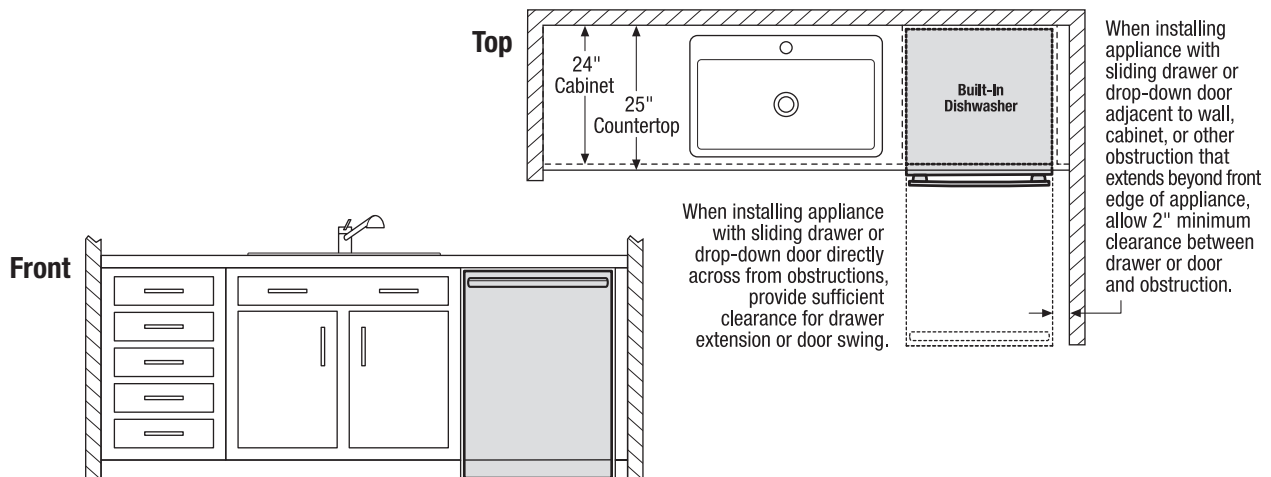
When installing appliances adjacent to each other, 20" minimum distance between each appliance required.

When installing built-in cooking appliances in combination, 2" minimum visible gap between appliance faceplates required.



When installing side-by-side refrigerator adjacent to wall, cabinet or another appliance that extends beyond front edge of unit, 20" minimum clearance recommended to allow for optimum 120° to 180° door swing, providing complete drawer/crisper access and removal.

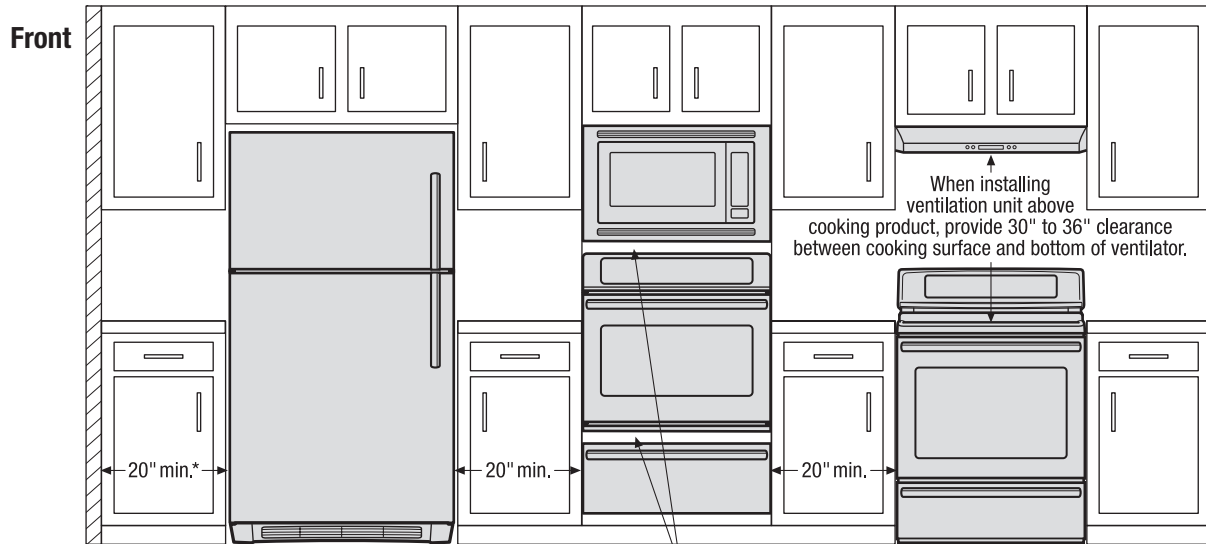
When installing appliance with sliding drawer, swinging or drop-down door directly across from obstructions, provide sufficient clearance for drawer extension or door swings.



When installing appliance with sliding drawer or drop-down door directly across from obstructions, provide sufficient clearance for drawer extension or door swing.

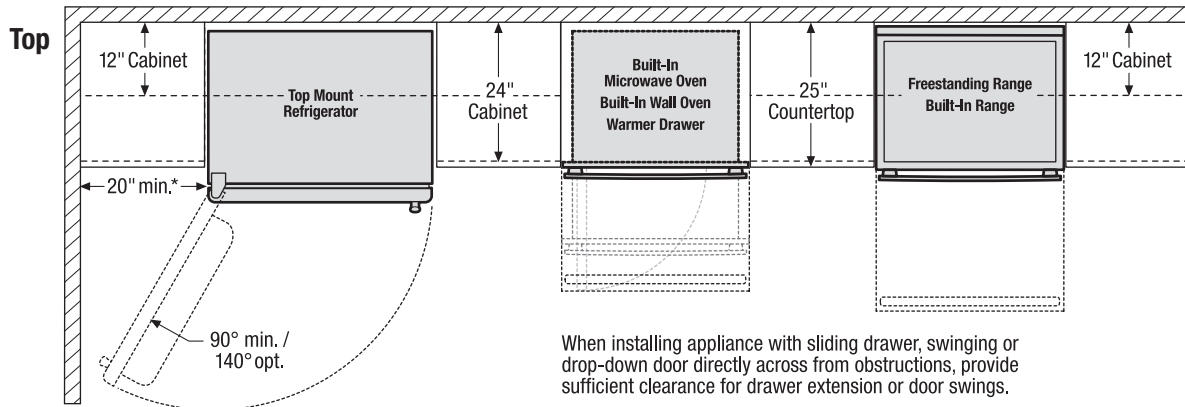
When installing appliance with sliding drawer or drop-down door adjacent to wall, cabinet, or other obstruction that extends beyond front edge of appliance, allow 2" minimum clearance between drawer or door and obstruction.

Use these dimensions and clearance instructions for planning purposes only. For detailed installation instructions, refer to installation guide, packed with product, or on the web at frigidaire.com.



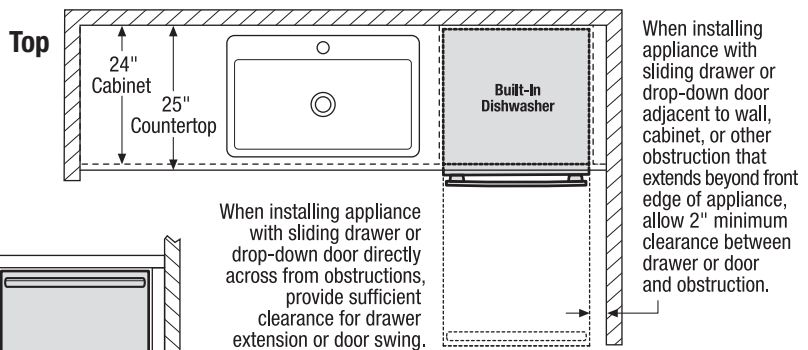
When installing appliances adjacent to each other, 20" minimum distance between each appliance required.

When installing built-in cooking appliances in combination, 2" minimum visible gap between appliance faceplates required.



When installing appliance with sliding drawer, swinging or drop-down door directly across from obstructions, provide sufficient clearance for drawer extension or door swings.

*When installing refrigerator adjacent to wall, cabinet or other appliance that extends beyond front edge of unit, 20" minimum clearance recommended to allow for optimum 140° door swing, providing complete crisper access and removal. (Absolute 3" minimum clearance will ONLY allow for 90° door swing which will provide limited crisper access with restricted removal.)



When installing appliance with sliding drawer or drop-down door directly across from obstructions, provide sufficient clearance for drawer extension or door swing.

