

Committed to improving, one model at a time.

Bosch Home Appliances
5551 McFadden Avenue
Huntington Beach, CA 92649
1.800.944.2904

www.bosch-home.com/us



©2009 BSH Home Appliances Corporation. All rights reserved. Bosch is a registered trademark of Robert Bosch GmbH. All information presented herein is based on data available at the time of printing and is subject to change without notice.

For immediate installation dimensions by fax, use your handset and call 1.925.284.3558. Use Code #8317 for a directory of Bosch products.

Bosch focuses on what matters most—quality and environmental responsibility.

What you do in the spotlight isn't the measure of your stature — it's what you do when no one is watching that truly counts. That's why Bosch engineers have challenged themselves to reduce the environmental impact of our products — without compromising performance. This commitment is reflected in superior quality appliances with sleek, smart design and efficient, practical innovations that use less energy. And less water. Not because the world demanded it. But because we believe it should.

After all, it's more than our job. It's our responsibility.

The next step in dishwashers.

Integra® | Evolution® | Ascenta®



At Bosch, we are committed to offering the quietest, most efficient dishwashers in the U.S., all with the highest safety and quality standards on the market. We do this not only throughout our line, but in each price class. Plus, this year we are introducing new racks that provide increased flexibility and capacity. Taller walls, thicker wires and a more robust appearance, make the new racks a perfect complement to our exceptional dishwashers. We have also added a new silverware basket and ergonomic handles.

A wide range of features

Quietness

Bosch is the brand leader in quietness. In fact at just 40 dBAs we have the quietest dishwasher in the U.S.* Of course, you may not have heard that. Or anything at all. Buried behind three layers of sound-muffling coated metal and cotton-fiber insulation, our suspended, two-pump motor system dramatically reduces vibration and noise.

Efficiency

Our dishwashers are most efficient in every class** and exceed the 2011 ENERGY STAR® guidelines. They also save you up to 2.5 gallons of water on average per cycle – Bosch dishwashers take energy and water efficiency to a new level.

Safety

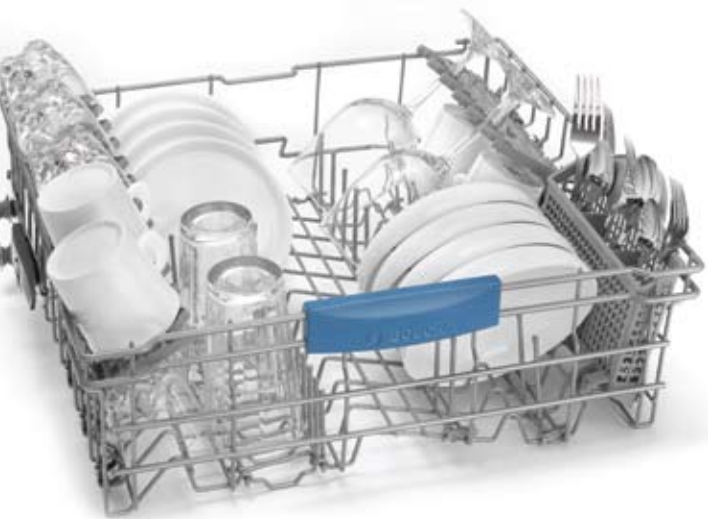
With 3 comprehensive safety systems Bosch dishwashers are precisely engineered to help eliminate the risk of costly water damage. Plus, to keep your family safe, Bosch dishwashers offer a Sanitize Option which removes 99.9% of bacteria and achieves NSF certification.

Quality

All our dishwashers undergo 485 quality checks and are fully tested with water before they leave our factory. J.D. Power and Associates ranked Bosch “Highest in Customer Satisfaction with Dishwashers, Three Years in a Row.” ***

* Based on available sound information on competitors' Websites, August, 2009. ** According to www.energystar.gov.

*** Bosch received the highest numerical score for dishwashers in the proprietary J.D. Power and Associates 2006–2007 Major Home Appliance Studies™ and 2008 Kitchen Appliances Study™. 2008 study based on 14,782 total responses measuring 16 brands and measures opinions of consumers during the previous 36 months. Proprietary study results are based on experiences and perceptions of consumers surveyed in June–July 2008. Your experiences may vary. Visit jdpower.com.



RackMatic® and RackMatic® Plus

The RackMatic and RackMatic Plus upper-basket-height adjustment allows for easy and comfortable adjustment of the baskets when loaded. It's two or three simple steps to enhanced loading flexibility with regards to plate sizes and height of glasses.

Cup Shelves

Redesigned with a unique shape for dual-purposes – to securely hold larger kitchen items and varying sized stemware with different stem thickness, while still giving the best performance possible.

Increased Capacity

Repositioned for maximum loading capacity of up to 15 place settings. The distance between tines were made with varying positions so you can intuitively load larger and smaller items. The racks also boast more loading capacity for glassware and more designed with angles, so water can easily run off and dry without spots.

Flexible Silverware Basket

The flexible silverware basket splits into two parts and can be placed anywhere in the dishwasher, adding flexible space for other items.

Plastic Item Clips

Hold smaller items, such as plastic lids or baby bottle nipples, so they stay in place and are perfectly cleaned.

Extra Tall Item Sprinkler™

Hand washing large items becomes a thing of the past. Simply remove the top rack and place items, that are up to 22" tall, in the bottom rack.



Shown: 800 Series Racks

Note: Features vary by model

Rack Specifications

Series/Packages	Upper Rack	Lower Rack
VarioFlex™ Plus	<ul style="list-style-type: none"> – 5 Folding Tines – Removable Rack – RackMatic™ Plus (automatic height adjustable) – 2 Cup Shelves – 3 Plastic Item Clips – ActiveTab™ System with Stainless Steel Inlay – Third Loading Level 	<ul style="list-style-type: none"> – Flexible Silverware Basket – 2 Long Folding Tines – 2 Cup Shelves – Wire Handle – Rack Handle with Stainless Steel Inlay – Extra Tall Item Sprinkler™
VarioFlex™	<ul style="list-style-type: none"> – 2 Folding Tines – Removable Rack – RackMatic Plus (automatic height adjustable) – 2 Cup Shelves – 3 Plastic Item Clips – ActiveTab System – Third Loading Level 	<ul style="list-style-type: none"> – Flexible Silverware Basket – 2 Long Folding Tines – Wire Handle – Rack Handle – Extra Tall Item Sprinkler
800 Series	<ul style="list-style-type: none"> – 4 Folding Tines – Removable Rack – RackMatic (automatic height adjustable) – 3 Cup Shelves – 6 Plastic Item Clips – Easy-grip Handle – Accessory Basket 	<ul style="list-style-type: none"> – 2 Piece Flexible Silverware Basket – 4 Folding Tines – Easy-grip Handle – Wire Handle – Vase/Baby Bottle Holder – Extra Tall Item Sprinkler
500 Series	<ul style="list-style-type: none"> – 2 Long Folding Tines – Removable Rack – RackMatic (automatic height adjustable) – 2 Cup Shelves – 3 Plastic Item Clips – Easy-grip Handle – Accessory Basket 	<ul style="list-style-type: none"> – 2 Piece Flexible Silverware Basket – 2 Long Folding Tines – Wire Handle – Extra Tall Item Sprinkler
300 Series	<ul style="list-style-type: none"> – 1 Long Folding Tine – Removable Rack – Height Adjustable – 2 Cup Shelves – 2 Plastic Item Clips – Easy-grip Handle 	<ul style="list-style-type: none"> – 2 Piece Flexible Silverware Basket – 1 Long Folding Tine – Wire Handle – Extra Tall Item Sprinkler*
Standard	<ul style="list-style-type: none"> – 1 Long Folding Tine – Removable Rack – 1 Cup Shelf 	<ul style="list-style-type: none"> – Standard Silverware Basket – 2 Plastic Item Clips

* SHE43P1xUC only

Stepping up the line

800 Plus Series
 Silence Rating: 40-42 dBA
 180 kWh/yr
 Uses 2.0 gal./cycle
 6 Wash Cycles
 AquaStop® Plus
 VarioFlex™ and VarioFlex™ Plus Racks
 5 Options

Concealed Controls



Visible Controls



800 Series
 Silence Rating: 44 dBA
 234 kWh/yr
 Uses 2.21 gal./cycle*
 6 Wash Cycles
 AquaStop
 800 Series Racks
 3 Options

Concealed Controls



Visible Controls



500 Series
 Silence Rating: 47 dBA
 259 kWh/yr
 Uses 2.86 gal./cycle*
 4-6 Wash Cycles
 AquaStop
 500 Series Racks
 2-3 Options

Concealed Controls



Visible Controls



300 Series
 Silence Rating: 52 dBA
 259 kWh/yr
 Uses 2.86 gal./cycle*
 4 Wash Cycles
 AquaStop
 300 and Standard Series Racks
 1-2 Options

Concealed Controls



Visible Controls



Ascenta®
 Silence Rating: 50-53 dBA
 300 kWh/yr
 Uses 2.38 gal./cycle*
 4-6 Wash Cycles
 24/7 Overflow Protection System
 300 and Standard Series Racks
 2 Options

Concealed Controls



Visible Controls



Colors and Accessories

Concealed Controls Colors



Stainless Steel **Black** **White** **Titanium** **Fully Integrated**

Visible Controls Colors



Stainless Steel **Black** **White**

Accessory Description	Accessory Model No.	Dishwasher Model No.
Stainless Steel Door with Polished and Round Tubular Stainless Steel Handle	SGZ1005UC	SHV43P1, SHV65P and SHV68P Only
Stainless Steel Door with Flat and Matte Stainless Steel Handle	SGZ1006UC	SHV43P1, SHV65P and SHV68P Only
Accessory Hinge Kit for U.S. Counter Height Installation	SGZ3022	SRV53C Only
Flat and Matte Stainless Steel Handle	SGZ1007UC	SHV43P1, SHV65P and SHV68P Only
Dishwasher Accessory Kit	SMZ5000	800 Plus, SHE4AM1, SGE63E Only
Dishwasher Accessory Kit	SGZ1052UC	300, 500, 800 and Ascenta® (Excluding SHE4AM1) Only
Anti-Tarnish Silverware Cassette	SMZ5002UC	300, 500, 800 and Ascenta (Excluding SHE4AM1) Only
Anti-Tarnish Silverware Cassette	SMZ5002	800 Plus, SHE4AM1 and SGE63E Only
Dishwasher Supply and Drainage Hose Extension	SGZ1010UC	All Models
Dishwasher Power Cord with Connectors	SGZPC001UC	300, 500, 800 and Ascenta Only
Dishwasher Softener Salt	SGZ9091UC	800 Plus and SGE63E Only
500 Series Upper Rack	SMZ4037UC	300, 500, 800 Produced Before Aug. 09
500 Series Lower Rack	SMZ4038UC	300, 500, 800 Produced Before Aug. 09



Anti-Tarnish Silverware Cassette
SMZ5002UC / SMZ5002

This specially designed cassette provides the best wash results and protection for your fine silverware.



Stainless Steel Door
SRZ2045UC

This high-quality stainless steel door provides an attractive and contemporary finish for the Integra® 18" model SRV53C03UC (SRZ2045UC).



Dishwasher Accessory Kit
SGZ1052UC / SMZ5000

This all-in-one bundle includes the Extra Tall Item Sprinkler™, vase/bottle holder, 3 plastic item clips and a small item basket.




















SGZ1005UC
 (Optional door with polished and round tubular handle)



















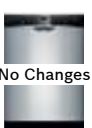



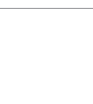

SGZ1006UC
 (Optional door with flat and matte handle)

* Average according to ENERGY STAR® test procedure.

Concealed Controls Transition

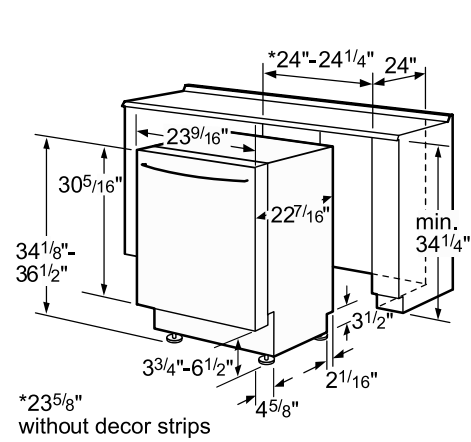
Series	Models	Series	New Models
800		800 Plus 	<ul style="list-style-type: none"> – \$1,899 / \$1,899 Custom Panel – SHX68E15UC / SHV68E13UC – Touch Control – 6 Programs, 5 Options, Display – 180 kWh – 40 dBA – InfoLight – Third Rack / VarioFlex™ Plus Racks
		800 	<ul style="list-style-type: none"> – \$1,599 – SHX68E05UC – 6 Programs – 5 Options, Stainless Steel Panel, Display – 180 kWh – 42 dBA – InfoLight – Third Rack / VarioFlex™ Racks
500		800 	<ul style="list-style-type: none"> – \$1,349 / \$1,349 Custom Panel – SHX68P0xUC – 6 Programs – 3 Options, Stainless Steel Panel, Display – 234 kWh – 44 dBA – InfoLight – 800 Series Racks
		500 	<ul style="list-style-type: none"> – \$1,049 / \$1,149 / \$1,049 Custom Panel – SHX65P0xUC – 6 Programs – 3 Options, Stainless Steel Panel, Display – 259 kWh – 47 dBA – InfoLight – 500 Series Racks
300		500 	<ul style="list-style-type: none"> – \$899 / \$999 – SHX45P0xUC – 4 Programs – 2 Options, Black Panel, Display – 259 kWh – 47 dBA – InfoLight – 500 Series Racks
		300 	<ul style="list-style-type: none"> – \$799 / \$899 / \$899 Custom Panel – SHX43P1xUC – 4 Programs – 1 Option, Black Panel – 259 kWh – 50 dBA – 300 Series Racks
Ascenta®		300 	<ul style="list-style-type: none"> – \$749 / \$849 – SHX33M0xUC – 3 Programs – 259 kWh – 57 dBA – Platinum Standard Racks
		Ascenta 	<ul style="list-style-type: none"> – \$699 / \$799 – SHX6AP0xUC – 6 Programs – 2 Options, Black Panel – 300 kWh – 50 dBA – 300 Series Racks
		Ascenta 	<ul style="list-style-type: none"> – \$599 / \$699 – SHX4AP0xUC – 4 Programs – 2 Options, Black Panel – 300 kWh – 53 dBA – Standard Racks

Visible Controls Transition

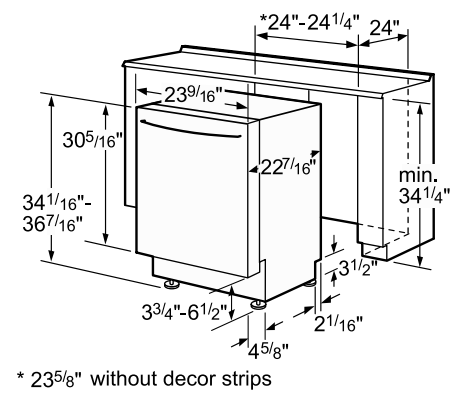
Series	Models	Series	New Models
800		800 Plus 	<ul style="list-style-type: none"> – \$1,899 – SHE68E15UC – Concealed Touch Controls – 6 Programs – 5 Options, Stainless Steel Panel, Display – 180 kWh – 40 dBA – Third Rack / VarioFlex™ Plus Racks
		800 	<ul style="list-style-type: none"> – \$1,599 – SHE68E05UC – 6 Programs – 5 Options, Stainless Steel Panel, Display – 180 kWh – 42 dBA – Third Rack / VarioFlex™ Racks
500		800 	<ul style="list-style-type: none"> – \$1,049 / \$1,199 – SHE68M0xUC – 6 Programs – 3 Options, Display – 259 kWh – 45 dBA – Platinum Premium Racks
		500 	<ul style="list-style-type: none"> – \$899 / \$999 – SHE58C0xUC – 5 Programs – 2 Options, Display – 290 kWh – 48 dBA – Platinum Premium Racks
300		500 	<ul style="list-style-type: none"> – \$849 / \$949 – SHE55M0xUC – 5 Programs – 3 Options, Display – 259 kWh – 48 dBA – Platinum Mid Racks
		300 	<ul style="list-style-type: none"> – \$749 / \$849 – SHE45M0xUC – 4 Programs – 2 Options, Display – 259 kWh – 51 dBA – Platinum Mid Racks
Ascenta®		300 	<ul style="list-style-type: none"> – \$649 / \$799 – SHE43M0xUC – 4 Programs – 1 Option, Display – 259 kWh – 54 dBA – Platinum Standard Racks
		Ascenta 	<ul style="list-style-type: none"> – \$599 / \$699 – SHE33M0xUC – 3 Programs – 259 kWh – 57 dBA – Platinum Standard Racks
		Ascenta 	<ul style="list-style-type: none"> – \$579 / \$679 – SHE5AM0xUC – 5 Programs – 2 Options, Display – 300 kWh – 53 dBA – Mid EasyLoad™ Racks
		Ascenta 	<ul style="list-style-type: none"> – \$499 / \$599 – SHE4AM10xUC – 4 Programs – 2 Options – 300 kWh – 53 dBA – EasyLoad Racks
		Ascenta 	<ul style="list-style-type: none"> – \$499 / \$599 – SHE4AM0xUC – 4 Programs – 2 Options – 300 kWh – 57 dBA – EasyLoad Racks

Dishwasher Dimensions and Installation

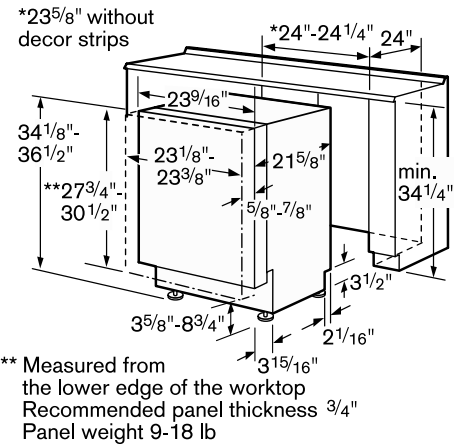
Integra® Dishwashers



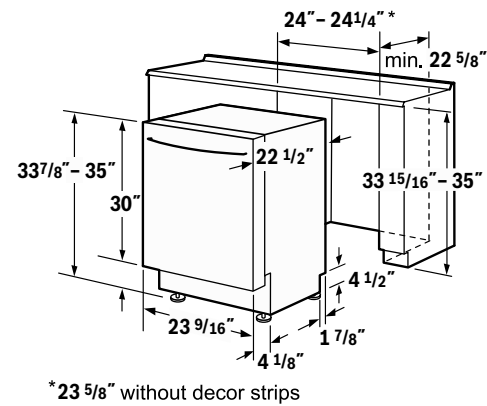
SHX68E15UC



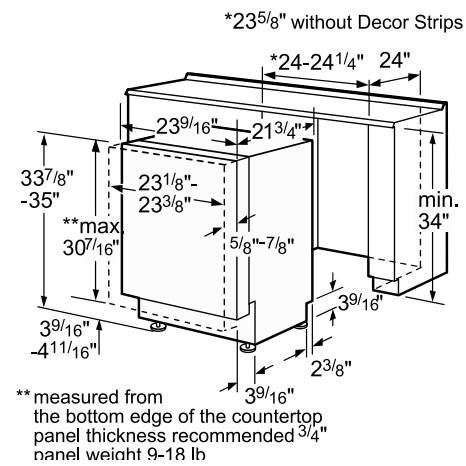
SHX68E05UC



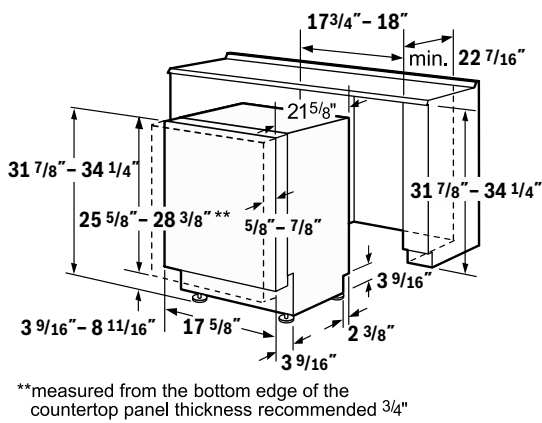
SHV68E13UC



800, 500 and 300 Series SHX Models

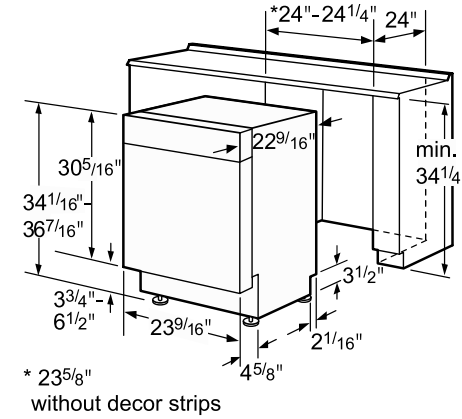


800, 500 and 300 Series SHV Models

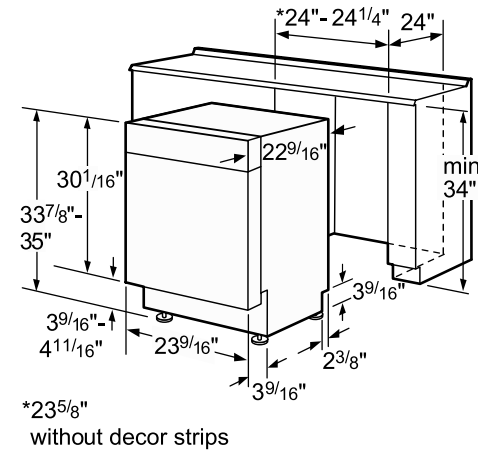


SRV53C03UC

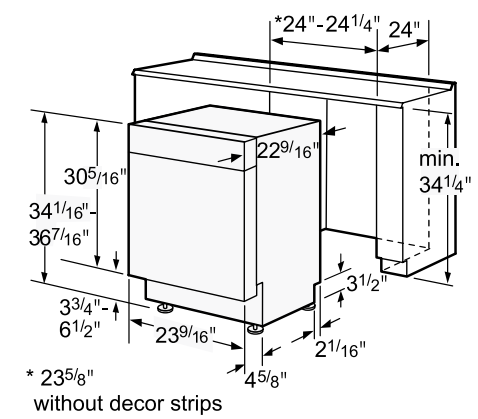
Evolution® Dishwashers



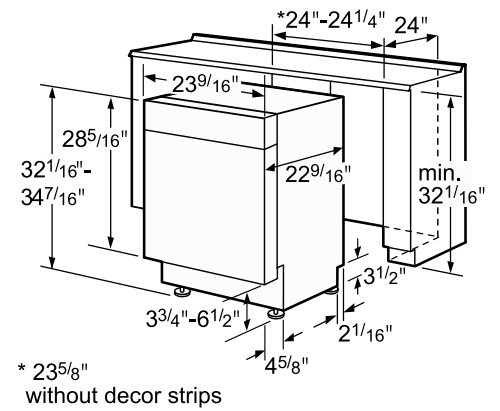
SHE68E15UC



800, 500 and 300 Series SHE Models

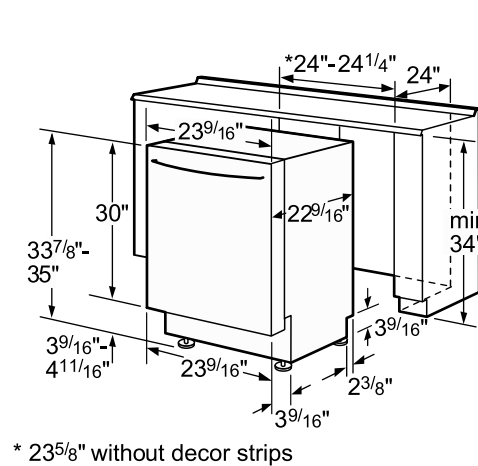


SHE68E05UC

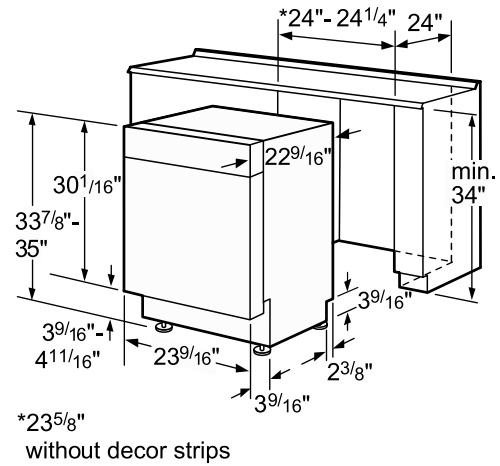


SGE6830xUC

Ascenta® Dishwashers



Ascenta - Integra® Models



Ascenta - Evolution Models