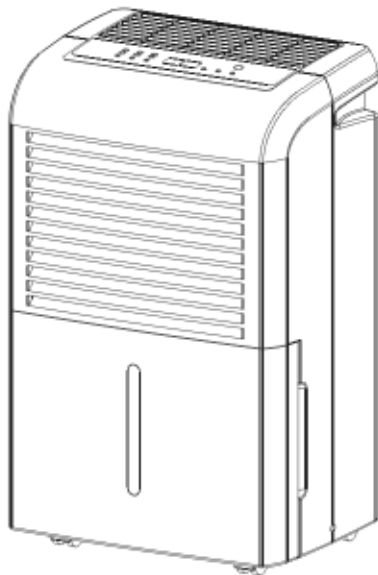




Owner's Use and Care Guide
Guide d'utiliser et soins de Propriétaire

Model • Modèle
DDR25E, DDR30E, DDR45E, DDR5011



CAUTION:
Read and follow all safety rules and operating instructions before first use of this product.

PRÉCAUTION:
Veuillez lire attentivement les consignes de sécurité et les directives d'utilisation avant l'utilisation initiale de ce produit.

PORTABLE DEHUMIDIFIER

Owner's Use and Care Guide

• Welcome

• Important Safety Information

• Installation Instructions

• Features

• Operating Instructions

• Care and Maintenance

• Troubleshooting

• Warranty

..... 1 - 10

DÉSHUMIDIFICATEUR PORTATIF

Guide d'utilisation et soins de Propriétaire

• Bienvenue

• Consignes de Sécurité Importante

• Consignes d'installation

• Caractéristiques

• Consignes de Fonctionnement

• Soins et Entretien

• Dépannage

• Garantie

..... 11 - 20

KEEP THESE INSTRUCTIONS FOR FUTURE REFERENCE: If the Dehumidifier changes ownership, be sure this manual accompanies the unit.
CONSERVER CES INSTRUCTIONS POUR CONSULTATION ULTÉRIEURE: En cas de revente du déshumidificateur, ce manuel doit être inclus avec l'appareil.



WELCOME

Thank you for choosing a Danby appliance to provide you and your family with all of the “Home Comfort” requirements of your home, cottage, or office. This Owner’s Use and Care Guide will provide you with valuable information necessary for the proper care and maintenance of your new appliance. If properly maintained, your Danby appliance will give you many years of trouble free operation. Please take a few moments to read the instructions thoroughly and familiarize yourself with all of the operational aspects of this appliance.

This unit can be conveniently moved from room to room within your home and set up in just minutes.

For easy reference, may we suggest you attach a copy of your sales slip/receipt to this page, along with the following information, located on the rear wall of the water tank compartment.

Model Number: _____


Serial Number: _____

Date of Purchase: _____

This information will be necessary if your unit requires servicing and/or for general inquiries.
To contact a Customer Service Representative, call Danby TOLL FREE:

1-800-26- Danby®
(1-800-263-2629)

KEEP THESE INSTRUCTIONS FOR FUTURE REFERENCE.

 **CAUTION: Do not leave this unit unattended or operate in an area where people or animals may not be able to react quickly. A failed unit may cause over-heating, resulting in personal injury or property damage.**

IMPORTANT SAFETY INFORMATION

NOTE

The WARNING instructions issued in this manual are not meant to cover all possible conditions and situations that may occur. It must be understood that common sense, caution, and carefulness are factors that cannot be built into all appliances. These factors must be supplied by the person(s) installing, maintaining, or operating the appliance. Failure to install, maintain, and/or operate the equipment according to the manufacturer's instructions may result in conditions which can produce bodily injury and/or property damage. Contact your dealer, service agent, or the manufacturer about any problems or conditions you do not fully understand.

For Danby Customer Service call **1-800-26-Danby** (1-800-263-2629)

ELECTRICAL REQUIREMENTS

To reduce the risk of fire, electric shock, or personal injury, all wiring and grounding must conform with the latest edition of Local and National Electrical codes.

- It is the customer's responsibility to have the wiring and fuses checked by a qualified electrician to make sure adequate electrical power is available.
- This appliance is designed to operate on a separate branch, polarized, three-wire, effectively grounded 120 Volt 60 Hertz (alternating current) circuit protected by a 15 ampere fuse, equivalent fuse or circuit breaker. The three-prong grounding plug on the power cord should be plugged directly into a polarized, three slot, effectively grounded receptacle rated 110/120 V.A.C.

FOR YOUR SAFETY: To reduce the risk of fire or explosion, do not store or use gasoline or other flammable vapors or liquids in the vicinity of this or any other appliance.

GROUNDING INSTRUCTIONS

Improper connection of the equipment-grounding conductor can result in a risk of electrical shock. Check with a qualified electrician or serviceman if you are in doubt as to whether your appliance outlets are properly grounded.

- This appliance must be grounded. In the event of malfunction or breakdown, grounding will reduce the risk of electrical shock by providing a path of least resistance for electrical current. This appliance is equipped with a cord having an equipment-grounding conductor and 3 prong grounding plug. The plug must be connected into an outlet that is properly installed and grounded in accordance with all local codes and ordinances.
- Do not modify the plug provided with this appliance. If it will not fit the outlet, have a proper outlet installed by a qualified electrician.
- If the household electrical supply does not meet the above specifications, or if you are not sure your home has an effective ground, have a qualified electrician or your local electrical utility company check it and correct any problems.

SAVE THESE INSTRUCTIONS!

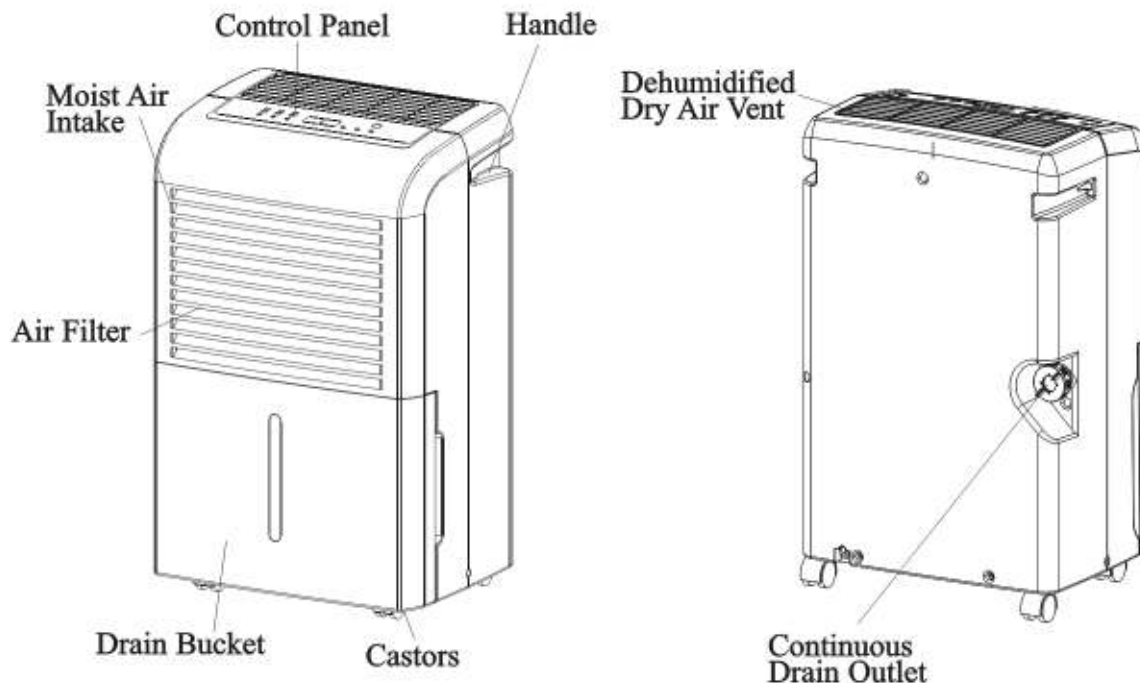
INSTALLATION INSTRUCTIONS

LOCATION

- Select a suitable location, making sure you have easy access to an electrical outlet (avoid the use of extension cords). If it is absolutely necessary to use an extension cord, use an approved "air conditioner" heavy duty extension cord ONLY (available at most local hardware stores).
- Make sure there are no obstructions restricting airflow through the front air intake grill. Maintain a minimum clearance of at least 20 cm (8") between adjacent walls and the back of the unit, to allow for proper air circulation and maximum efficiency. To obtain maximum operating efficiency from your dehumidifier, the recommended (room ambient) operating temperatures should be between 6°C (42.8°F)- 35°C (95°F).
- It is important to remember the efficiency of a dehumidifier will be effected/influenced by the rate at which new humid air (moisture) is allowed to infiltrate the same space/area. To maintain efficiency, the dehumidifier must be operated in an enclosed area. Keep all doors and windows closed.

FEATURES

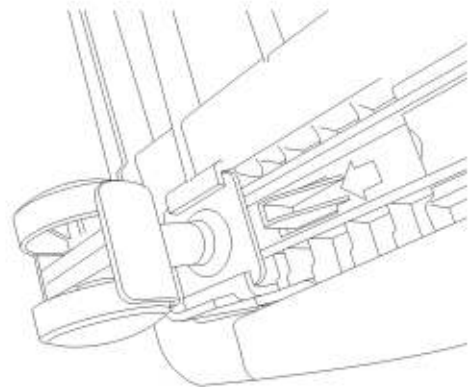
- Soft touch (Electronic) Control Key Pads
- Auto-Sensing Humidity Control
- Adjustable Humidity Settings (30% - 90%)
- 2 Fan Speed Settings (High / Low)
- Delay Start Protection (Compressor)
- Auto-Defrost (De-Icer)
- Full Bucket Indicator Light
- Easy Roll Castors (4)
- Front Mounted Water Tank (Removable)
- Direct Drain Option
- Quiet Operation
- Removable Air Filter



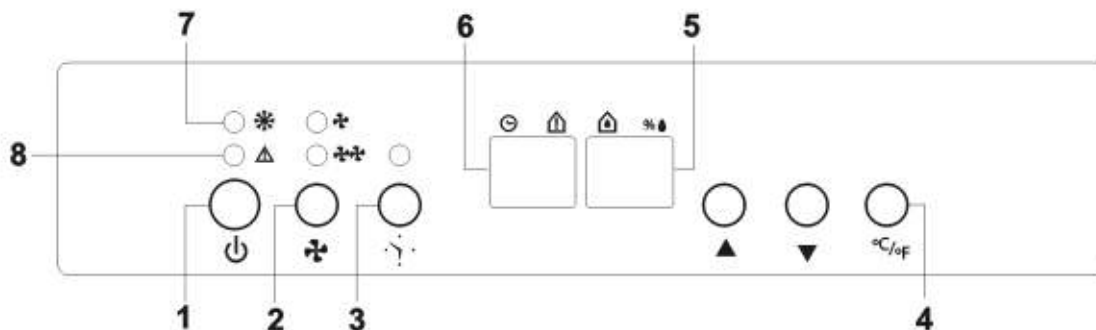
CASTER INSTALLATION

Caster installation is recommended to avoid damage to floors.

1. Remove the casters from the bucket of the dehumidifier.
2. Position the dehumidifier on its side.
3. Locate the arrow on the bottom of the dehumidifier and insert the caster according to the arrow direction.
4. Slide the caster in as far as it will go. The caster will snap into place.
5. Repeat steps 1 to 4 for the other 3 casters.



OPERATING INSTRUCTIONS



1) POWER Button: On / Off

2) FAN SPEED Button: High / Low

3) TIMER Button: When unit is operating, press TIMER to set number of hours desired until unit will shut off. When unit is in stand-by, press TIMER to set number of hours desired until unit will turn on.

Setting timer from 1-24 hours. To cancel the timer, proceed as above but set the "timer off" to zero (0) hours.

4) °C/°F Button: Press the °C/°F button to toggle between Celsius and Fahrenheit.

5) SET HUMIDITY/CURRENT HUMIDITY DISPLAY: When machine is running, it displays the

current humidity. Press UP or DOWN buttons to select humidity setting. The humidity is adjusted in increments of 5% by each press. Adjustable range is within 30% RH to 90% RH. 10 seconds after setting humidity, the display will change back to the current humidity.

6) CURRENT TEMP/ TIMER SET DISPLAY: When machine is running, it displays the current temperature. Press the TIMER button to set the machine to shut off automatically after specified amount of time. 10 seconds after displaying the timer, the display will change back to current temperature.

7) DEFROST LIGHT: When temperature is low, unit enters defrost mode and defrost light illuminates.

8) BUCKET FULL LIGHT: When water tank is full, bucket full light illuminates.

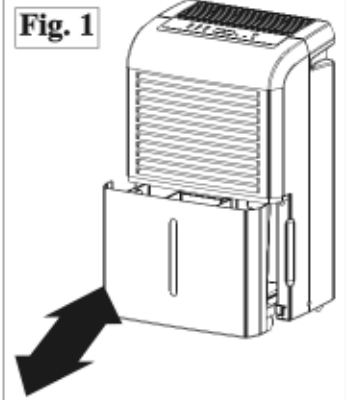
OPERATING INSTRUCTIONS (cont'd)

START OPERATION

- 1) Place the product in an upright position on a flat, stable, and heat-resistant surface. Make sure there is nothing flammable or heat sensitive within 100cm (39 inches). Operating the product in any other position could cause a hazard.
- 2) Insert the plug into a suitable wall socket. The dehumidifier is suitable for operating on an electricity supply having the same voltage as that shown

on its rating label.

- 3) Make sure the water tank is correctly located. After switching on the machine for the first time, if the "Bucket Full" light illuminates, pull out the water tank and check that the "float" lever is able to move freely, then return the water tank to the correct position (Fig. 1).



WATER FULL INDICATOR LIGHT (RED)

When the water tank is full and/or incorrectly positioned inside the cabinet, the water full red light turns on and remains on until such time that the tank is emptied and/or correctly re-positioned.

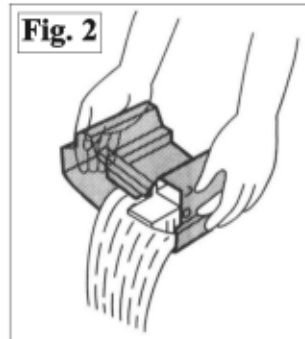
This condition will result in the immediate shut down of the dehumidifying system (both compressor and fan motor operations are terminated). This is a safety feature. When the water tank is emptied and/or correctly re-positioned, the dehumidifier will resume operation automatically.

NOTE: It may take several minutes before operating conditions resume.

BUCKET FULL LIGHT

- When the water tank is full the machine will stop and the "Bucket Full" light will illuminate.
- The water tank should be carefully removed from the machine by sliding it outward from the front of the unit, and it should be emptied. When the empty tank is replaced properly in the machine, the unit will start up and run normally (Fig. 2).

NOTE: Please use both hands to carefully empty the water tank.



FACTORY DEFAULT SETTING

Each time the unit is disconnected/re-connected and/or in the event of a power failure, the electronic circuitboard automatically defaults to the following factory setting:

Humidity Setting: 60%
Fan Speed: Low

NOTE: In the event of a power failure, the unit will default to the last program setting that was used when power is restored.

WATER TANK OPERATION

Proper installation of the water tank is crucial in maintaining reliable dehumidifier operation. The water tank holds accumulated condensed water and, by means of a safety switch, controls both the water level and operation of the dehumidification process.

When the water tank is full and/or accidentally displaced inside the cabinet, the float switch actuator (inside the tank) breaks contact with the safety switch. This condition results in the immediate shut down of the compressor and fan motor system, preventing moisture from being condensed.

NOTE: Never tamper with or attempt to defeat the water level (safety) float switch system.

OPERATING INSTRUCTIONS (cont'd)

DEFROST

When the machine is operated at low temperatures (less than 18°C) (64.4°F), the surface of the evaporator may accumulate a layer of frost which would reduce the efficiency of the machine. When this happens the machine will go into periodic defrost mode. The machine will operate in temperatures down to 5°C (41°F). The time taken to defrost may vary. If the machine freezes up, it should be turned off at the power supply and re-started. If the room temperature remains below 5°C (41°F) the machine should be switched off.

DEHUMIDIFYING

Dehumidifying is a means of removing moisture from the air. A dehumidifier will help to protect your home and valued possessions from damage (swelling) caused by moisture in the air. Essentially a dehumidifier removes moisture from the air as the moist air passes over a dehumidifying (evaporator) coil. Moisture is condensed on the evaporator coil, drained, and collected inside an internal (removable) water tank located at the front of the unit. The exhausted air being returned into the room environment is elevated several degrees, causing the surrounding air temperature to increase (slightly). This process also contributes to lowering the

relative humidity of the surrounding air.

DEHUMIDIFYING MODE SELECTION:

- 1) To turn the unit on, press the ON / OFF button.
- 2) Press the humidity or buttons to select a desired RH operating value (30%-90%).

FAN SPEED SELECTION: Select a fan speed on the keypad. The speed you select is identified by the (illuminated) indicator light located directly above the selection made.

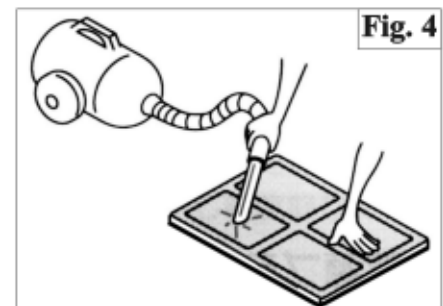
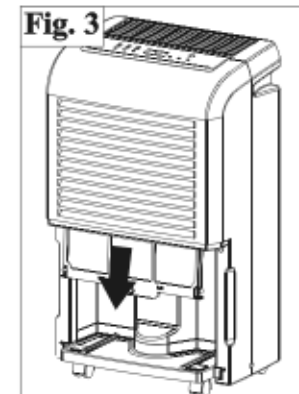
AIR FILTER

Your dehumidifier features a removable Air Filter. This filter is located at the front of the unit (behind the air intake grill) directly above the water tank compartment. The air filter plays an important role in helping to reduce (minimize) dust/dirt particles from the surrounding environment. A blocked / clogged air filter reduces air intake, impacting negatively on operating efficiency. To maintain maximum operating efficiency, the filter must be checked and cleaned regularly (every 2 weeks). More frequent cleaning may be required depending upon indoor air quality.

IMPORTANT: Never operate the unit without the air filter in place.

AIR FILTER CLEANING STEPS:

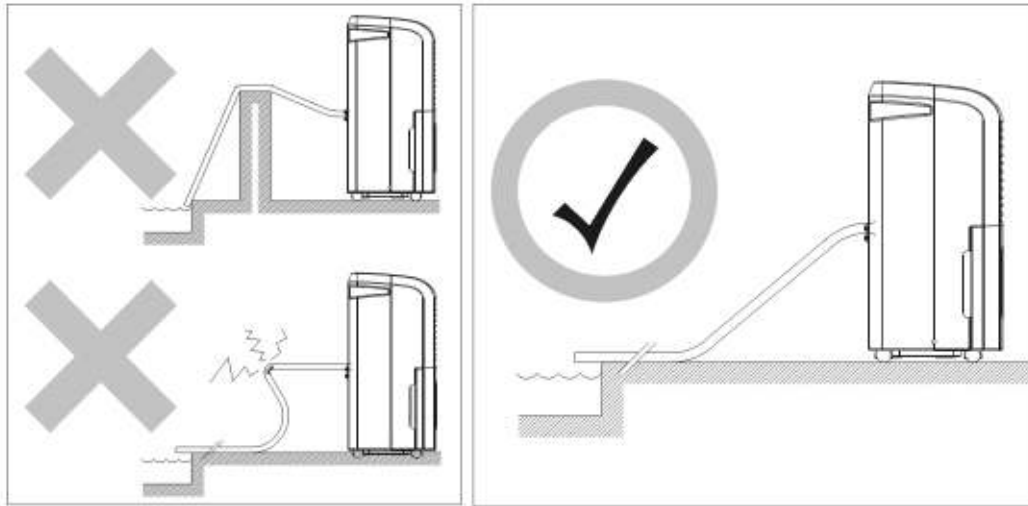
- 1) Pull the air filter out gently (Fig. 3).
- 2) Clean the filter with a vacuum cleaner, or wash it with clean water and dry with a dry cloth.
- 3) Put the clean air filter back in place and continue to operate the dehumidifier.



OPERATING INSTRUCTIONS (cont'd)

INSTALLING PVC DRAIN HOSE

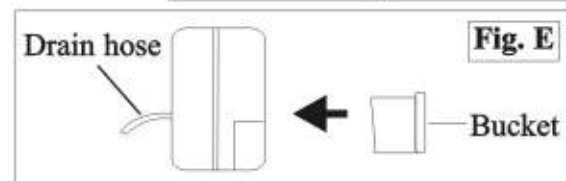
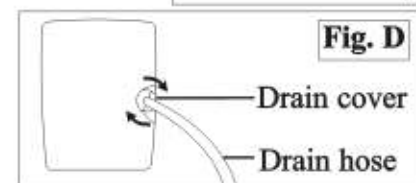
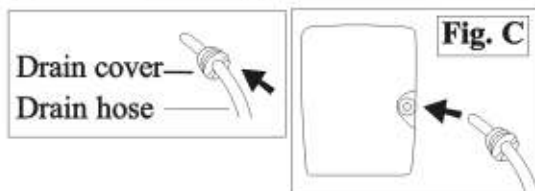
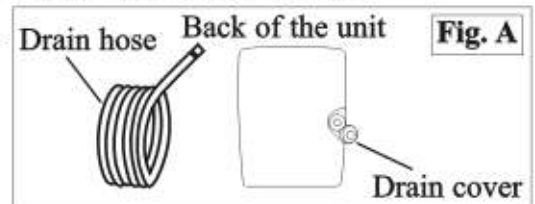
When using the continuous drain function, the PVC hose must be placed horizontally below the drainage hole. Avoid uneven ground and folding the hose. **NOTE:** Should you damage or misplace the pvc drain hose, a standard garden hose can be used.



CONTINUOUS DRAIN

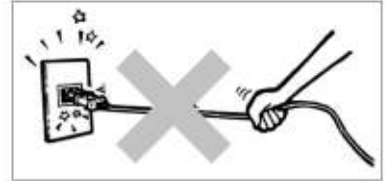
The function of continuous drain can be performed using the following steps:

- 1) To save having to periodically empty the water tank, this unit can be configured for continuous drain. You can use the supplied drain hose to connect to the continuous drain connector.
- 2) Unscrew and remove the drain cover at the rear of the unit (Fig. A).
- 3) Remove the soft rubber stopper, and place it in the water tank for safe keeping (Fig. B).
- 4) Insert the drain hose through the hole of the drain cover (Fig. C).
- 5) Ensure the rubber seal ring is properly seated in the end of the hose as shown in Fig. C.
- 6) Connect the drain hose to the drain port (Fig. D).
- 7) Tighten the drain cover in clockwise direction onto the rear of the unit (Fig. D).
- 8) Place the bucket in its original location (Fig. E).

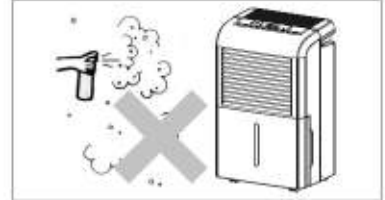


CAUTIONS

1) **DO NOT** pull on the power cord to avoid breakage, potential danger, or injury.



2) **DO NOT** use insect/oil/paint spray around the machine; these products might cause damage to plastic parts or start a fire.



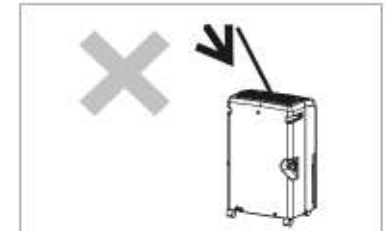
3) **DO NOT** place the unit on uneven ground to avoid shaking, noise, and water leakage.



4) Always keep the unit 20cm or more from the wall to dissipate heat properly.



5) **DO NOT** drop anything into the machine.



6) Close all windows to allow for the maximum possible efficiency or removal of moisture




7) Keep the machine away from any type of heat source.



8) When moving or putting in storage, do not place the dehumidifier on its side, or upside down, to avoid shaking.



CARE AND MAINTENANCE

CLEANING  **CAUTION:** Before attempting to clean and/or service this unit, always disconnect the power supply cord from the electrical supply outlet.

- 1) DO NOT use gasoline, benzene, paint thinner, or any other chemicals to clean this unit, as these substances will damage/deform both plastic components and luster finish.
- 2) Never attempt to clean the unit by pouring water directly over any of the surface areas, as this will cause deterioration of electrical components and wiring insulation.
- 3) Use only a mild dish washing detergent, lukewarm water, and a soft cloth to wipe the exterior surface of the unit and dry thoroughly.

STORAGE When the dehumidifier is not being used for long time periods, please follow these instructions:

- 1) Disconnect the power cord from the power supply.
- 2) Empty the water tank and wipe (clean) thoroughly.
- 3) Clean air filter thoroughly.
- 4) Re-package the unit in the original carton.
- 5) Store the unit upright in a dry location.

TROUBLESHOOTING

Occasionally, you may encounter some problems that are of a minor nature and a service call may not be necessary. Use this troubleshooting guide to identify possible problems you may be experiencing. If the unit continues to operate improperly, call your local Danby Service Depot or **1-800-26-Danby (1-800-263-2629)**

PROBLEM	POSSIBLE CAUSE
1) Unit will not operate.	<ul style="list-style-type: none">• Check power cord connection.• Check electrical outlet for blown fuse.• Check if water tank is full (if yes, empty).• Check water tank is properly installed.
2) Dehumidifying capacity (moisture removal) low.	<ul style="list-style-type: none">• Air filter is dirty and/or blocked.• Ambient (room) temperature too low (below 5°C/41°F).• Poor air flow circulation/obstruction of front grill.• Relative humidity in surrounding environment very low.
3) Relative Humidity setting not reached after long period of operation.	<ul style="list-style-type: none">• Check all doors and windows are closed.• Area/room is too large for the capacity of the dehumidifier.

Danby **Premiere** LIMITED APPLIANCE WARRANTY

This quality product is warranted to be free from manufacturer's defects in material and workmanship, provided that the unit is used under the normal operating conditions intended by the manufacturer.

This warranty is available only to the person to whom the unit was originally sold by Danby Products Limited (Canada) or Danby Products Inc. (U.S.A.) (hereafter "Danby") or by an authorized distributor of Danby, and is non-transferable.

TERMS OF WARRANTY

Plastic parts, are warranted for thirty (30) days only from purchase date, with no extensions provided.

First 24 Months During the first twenty four (24) months, any functional parts of this product found to be defective, will be repaired or replaced, at warrantor's option, at no charge to the ORIGINAL purchaser.

To obtain Service It will be the consumer's responsibility to transport the appliance (at their own expense) to the original retailer (point of purchase) or a service depot for repair. Contact your dealer from whom your unit was purchased, or contact your nearest authorized Danby service depot, where service must be performed by a qualified service technician.
If service is performed on the unit by anyone other than an authorized service depot, or the unit is used for commercial application, all obligations of Danby under this warranty shall be void.

Nothing within this warranty shall imply that Danby will be responsible or liable for any spoilage or damage to food or other contents of this appliance, whether due to any defect of the appliance, or its use, whether proper or improper.

EXCLUSIONS

Save as herein provided, Danby, there are no other warranties, conditions, representations or guarantees, express or implied, made or intended by Danby or its authorized distributors and all other warranties, conditions, representations or guarantees, including any warranties, conditions, representations or guarantees under any Sale of Goods Act or like legislation or statute is hereby expressly excluded. Save as herein provided, Danby shall not be responsible for any damages to persons or property, including the unit itself, howsoever caused or any consequential damages arising from the malfunction of the unit and by the purchase of the unit, the purchaser does hereby agree to indemnify and hold harmless Danby from any claim for damages to persons or property caused by the unit.

GENERAL PROVISIONS

No warranty or insurance herein contained or set out shall apply when damage or repair is caused by any of the following:

- 1) Power failure.
- 2) Damage in transit or when moving the appliance.
- 3) Improper power supply such as low voltage, defective house wiring or inadequate fuses.
- 4) Accident, alteration, abuse or misuse of the appliance such as inadequate air circulation in the room or abnormal operating conditions (extremely high or low room temperature).
- 5) Use for commercial or industrial purposes (ie. If the appliance is not installed in a domestic residence).
- 6) Fire, water damage, theft, war, riot, hostility, acts of God such as hurricanes, floods etc.
- 7) Service calls resulting in customer education.
- 8) Improper Installation (ie. Building-in of a free standing appliance or using an appliance outdoors that is not approved for outdoor application).

Proof of purchase date will be required for warranty claims; so, please retain bill of sale. In the event warranty service is required, present this document to our AUTHORIZED SERVICE DEPOT.

Warranty Service
Carry-In

Danby Products Limited
PO BOX 1778 Guelph, Ontario, Canada N1H 6Z9
Telephone: (519) 837-0920 FAX: (519) 837-0449

1-800-263-2629

Danby Products Inc.
PO BOX 669 Findlay, Ohio, U.S.A. 45840
Telephone: (419) 425-8627 FAX: (419) 425-8629

BIENVENUE

Merci d'avoir choisi un appareil Danby qui vous fournira ainsi qu'à votre famille, le confort au foyer, à la maison, au chalet ou au bureau. Ce manuel d'utilisation vous offre des renseignements pratiques pour le soin et l'entretien de votre nouvel appareil. Un appareil Danby bien entretenu vous fournira plusieurs années de service sans ennui.

Veillez prendre quelques moments pour lire attentivement toutes les directives pour vous renseigner et vous familiariser avec tous les aspects du fonctionnement de votre appareil. Cet appareil peut être aisément déplacé d'une pièce à l'autre de la maison et il est installé en quelques minutes seulement.

Pour la référence aisée, nous vous suggérons de joindre une copie de votre reçu de caisse et/ou facture d'achat à cette page, et d'inscrire les renseignements suivants qui sont trouvés sur la plaque d'identification du fabricant. Celle-ci est située sur le panneau arrière de l'appareil.

Numéro de modèle: _____

Numéro de série : _____


Date d'achat : _____

Ces renseignements seront requis si le service est demandé et/ou si vous désirez obtenir des renseignements supplémentaires. Pour consulter un Représentant du service à la clientèle, composez le NUMÉRO D'APPEL

SANS FRAIS suivant:

1-800-26-Danby

(1-800-263-2629)

 **MISE EN GARDE: Ne laissez pas cette unité sans surveillance ou ne fonctionnez pas dans un espace où les gens et animaux ne peuvent pas réagir rapidement. Un appareil défaillant peut susciter une surchauffe extrême résultant à un accident avec blessures personnelles et les dommages de propriété.**

CONSIGNES DE SÉCURITÉ IMPORTANTES

REMARQUE

Les instructions de sécurité présentées dans ce manuel ne peuvent couvrir toutes les situations qui pourraient survenir. Chacun doit comprendre que l'utilisation adéquate de l'appareil lui-même et qui relèvent uniquement du comportement de la personne qui installe l'appareil ou l'utilise, ou qui exécute les opérations d'entretien. Le non-respect des instructions d'installation, d'utilisation ou d'entretien de l'appareil fournies par le fabricant peut susciter une situation pouvant conduire à des dommages matériels et/ou corporels. L'utilisateur devrait contacter le revendeur ou un agent de service après-vent du fabricant au sujet de tout problème ou situation qui n'est pas parfaitement compris. Pour contacter le centre de service-client;

1-800-26-DANBY (1-800-263-2629)

CONDITIONS ÉLECTRIQUES

Pour réduire le risque d'incendie, choc électrique ou dommages corporels, il convient que tout câblage électrique et circuit de liaison à la terre soit conforme aux prescription de l'édition la plus récente des codes local et national réglissant les installations électriques.

- C'est à l'acquéreur qu'incombe la responsabilité de consulter éventuellement un électricien qualifié qui pourra inspecter le câblage et les fusibles de la résidence et déterminer si la source d'électricité disponible est adéquate pour l'alimentation de l'appareil.
- Cet appareil est conçu pour être alimenté par un circuit 120 volts CA, 60 Hz (circuit indépendant à 3 conducteurs, alimentant une prise de courant convenablement polarisée et reliée à la terre) protégée par un fusible de 15 ampères (ou disjoncteur ou fusible temporisé équivalent).
- La fiche de branchement à trois broches du cordon d'alimentation doit être branchée directement sur une prise de courant polarisée de même configuration et reliée à la terre, conçu pour les circuits 110/120 V CA.

POUR VOTRE SÉCURITÉ: Pour minimiser tout risque d'incendie ou d'explosion, ne jamais remiser d'essence ou autre produit liquide ou gazeux inflammable au voisinage de cet appareil ou de tout autre appareil ménager.

INSTRUCTIONS DE MISE À LA TERRE

Le raccordement incorrect à la terre de cet appareil peut susciter un risque de choc électrique. En cas de doute quant à la qualité de la mise à la terre de la prise de courant disponible, consulter un électricien qualifié.

Cet appareil doit être relié à la terre. Advenant une anomalie de fonctionnement ou une panne, la mise à la terre réduira le risque de choc électrique, parce qu'un itinéraire de moindre résistance sera disponible pour le passage du courant électrique. Cet appareil est équipé d'un cordon d'alimentation comportant un conducteur de mise à la terre et une fiche de branchement à trois broches (pour liaison à la terre). La fiche de branchement doit être branchée sur une prise de courant convenablement installée et reliée à la terre conformément aux prescriptions des codes et règlements locaux en vigueur.

Ne jamais modifier la fiche de branchement de l'appareil. Si la configuration de la fiche de branchement ne permet pas son branchement sur la prise de courant, il sera nécessaire de faire installer une prise de courant adéquate par un électricien qualifié. Si les caractéristiques de la source d'alimentation électrique de la résidence ne correspondent pas aux spécifications ci-dessus, ou en cas d'incertitude quant à la qualité de la mise à la terre, demander à un électricien qualifié ou à la compagnie de distribution d'électricité d'inspecter l'installation électrique et d'effectuer tout travail correctif nécessaire.

SAUVEGARDE CES INSTRUCTIONS!

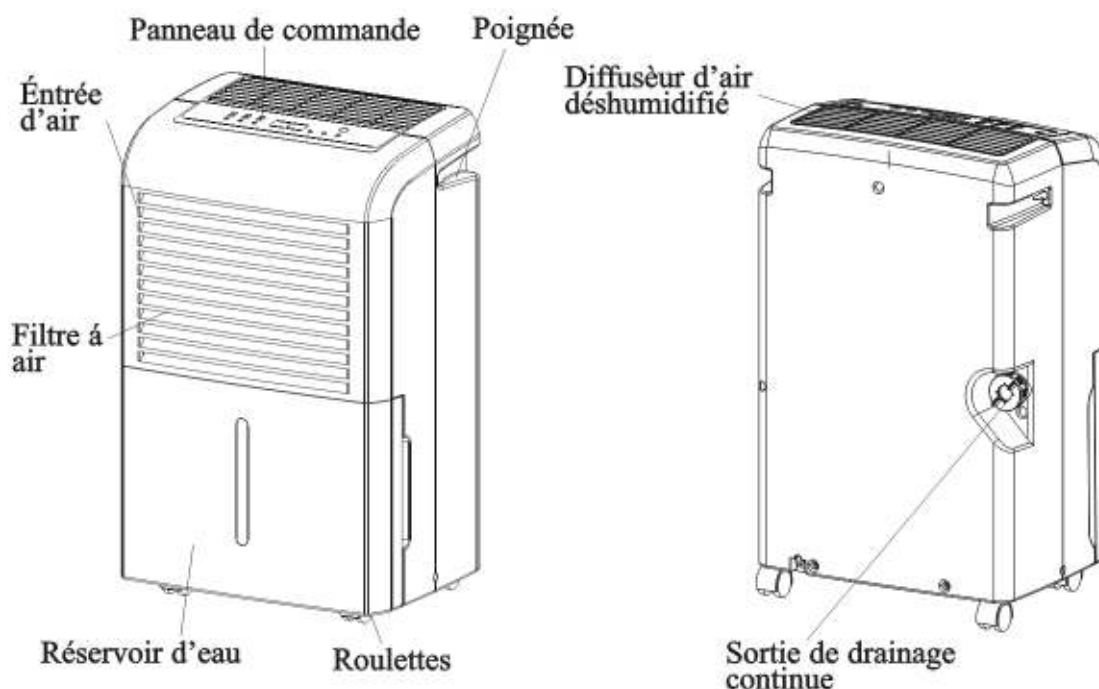
INSTRUCTIONS D'INSTALLATION

L'EMPLACEMENT

- Choisir un emplacement approprié, avec accès facile à une prise de courant (éviter l'emploi d'une rallonge). S'il est absolument nécessaire d'utiliser une rallonge pour l'alimentation de l'appareil, utiliser uniquement une rallonge agréé pour climatiseur (disponible dans la plupart des magasins de quincaillerie).
- Choisir un emplacement où rien n'entravera la circulation de l'air à travers la grille d'admission avant. Maintenir une distance de séparation d'au moins 20 cm (8po) entre les murs adjacents et l'arrière de l'appareil, pour optimiser l'efficacité et la circulation de l'air. L'appareil fonctionne au niveau d'efficacité maximum lorsque la température ambiante de la pièce est située entre 6°C et 35°C (42.8°F~95°F).
- Il est important de noter que l'efficacité d'un déshumidificateur sera influencée par la taux de réintroduction d'air humide dans la pièce. Pour obtenir la meilleure efficacité, il convient de faire fonctionner le déshumidificateur dans un espace fermé. Fermer toutes les portes et fenêtres.

CARACTÉRISTIQUES

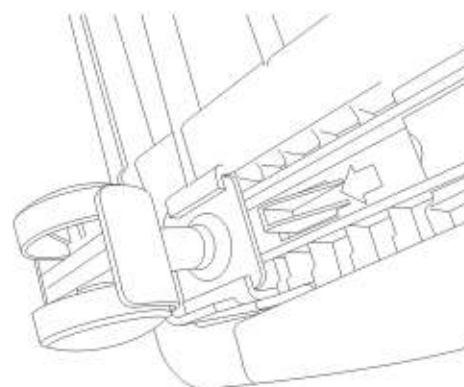
- Clavier de commande tactile (électronique)
- Auto-détection de l'hygrométrie ambiante
- Réglage selon l'hygrométrie ambiante (30% - 90%)
- Ventilateur à 2 vitesses (Haut/Bas)
- Mise en marche temporisée- protection (compresseur)
- Auto-Dégivrage
- Témoin « réceptacle plein »
- Roulettes pour déplacement facile (4)
- Réservoir d'eau situé sur l'avant (amovible)
- Option de drainage direct
- Fonctionnement silencieux
- Filtre à air amovible



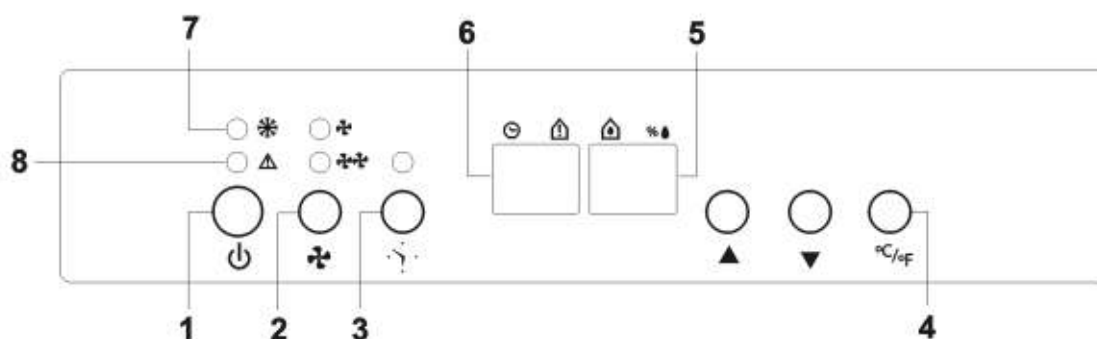
INSTALLATION DES ROULETTES

L'installation des roulettes est recommandée afin d'éviter d'endommager le plancher.

1. Dégager les roulettes du bac du déshumidificateur.
2. Placer le déshumidificateur en appui sur le côté.
3. Déterminer l'emplacement de la flèche au bas du déshumidificateur et insérer la roulette selon la direction de la flèche.
4. Enfoncez la roulette en la faisant glisser aussi loin que possible. La roulette s'emboîte.
5. Répéter les étapes 1 à 4 pour les trois autres roulettes.



CONSIGNES D'OPÉRATION



1) Bouton d'Alimentation: Marche/Arrêt

2) VITESSE DU VENTILATEUR: Bouton Haut/Bas

3) Bouton de MINUTERIE: Lorsque l'appareil est en fonction, appuyez sur «MINUTERIE» afin de régler le nombre d'heures de fonctionnement de l'appareil. Lorsque l'appareil est en attente, appuyez sur «MINUTERIE» afin de régler le nombre d'heures avant que l'appareil ne se mette en marche. Réglez la minuterie de 1 à 24 heures. Pour annuler la minuterie, procédez comme décrit plus haut, mais réglez la «minuterie à arrêt», c.-à-d. zéro heure.

4) Le bouton °C/°F: Appuyez sur le bouton interrupteur °C/°F pour passer des degrés Celsius aux degrés Fahrenheit.

5) AFFICHAGE DE L'HUMIDITÉ RÉGLÉE / L'HUMIDITÉ ACTUELLE: Lorsque l'appareil

fonctionne, elle affiche l'humidité actuelle. Appuyez sur ou pour sélectionnez le réglage d'humidité. La plage d'ajustement est à l'intérieur de 30% à 90% HR. 10 secondes après avoir réglé l'humidité, l'affichage retournera à l'humidité actuelle.

6) AFFICHAGE DE LA TEMPÉRATURE ACTUELLE/ MINUTERIE: Lorsque l'appareil fonctionne, elle affiche la température actuelle. Appuyez sur le bouton «MINUTERIE» afin de régler l'appareil pour qu'il s'arrête automatiquement après l'affichage de la minuterie, l'affichage retournera à la température actuelle.

7) VOYANT LUMINEUX DE DÉGRIVAGE: Lorsque la température est basse, l'appareil se met en mode dégivrage et le voyant lumineux de dégivrage s'allume.

8) VOYANT LUMINEUX DE SEAU PLEIN: Lorsque le réservoir d'eau est plein, le voyant lumineux de seau plein s'allume.

CONSIGNES D'OPÉRATION (suite)

COMMENCEZ L'OPÉRATION

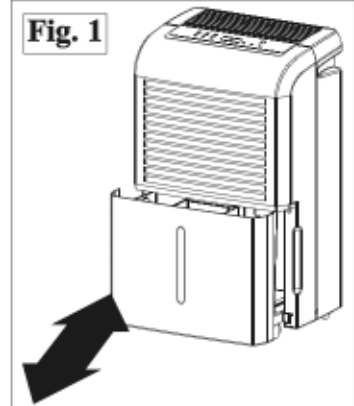
1) Placez le produit à la verticale sur une surface plane, stable et résistante à la chaleur. Assurez-vous qu'il n'y a rien d'inflammable ou de sensible à la chaleur à l'intérieur de 100 cm (39 pouces). Faire fonctionner le produit dans une autre position peut causer un risque.

2) Insérez la fiche dans une prise murale du bon type (Fig. 1). Le déshumidificateur est conçu pour fonctionner avec une source d'alimentation qui possède le même

voltage qu'illustré sur son étiquette de classement.

3) Assurez-vous que le réservoir d'eau est bien en place. (Fig.1) Après avoir mis en marche l'appareil pour la première fois, si le voyant lumineux de « seau plein » s'allume, sortez le réservoir d'eau et vérifiez que le levier du « flotteur » peut se déplacer sans encombre, ensuite remplacez le réservoir d'eau dans sa position initiale.

Fig. 1



LE VOYANT LUMINEUX DE RÉSERVOIR PLEIN (ROUGE)

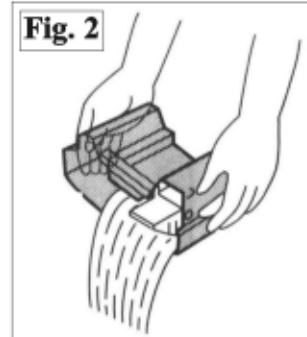
Lorsque le réservoir d'eau est plein et/ou incorrectement positionné dans le boîtier, le voyant lumineux du «réservoir plein» deviendra rouge et restera ainsi jusqu'à ce que le réservoir ait été vidé et/ou correctement positionné.

Cette condition résultera dans l'arrêt immédiat du système de déshumidification (le fonctionnement du compresseur et du moteur du ventilateur sera interrompu). Ceci est un dispositif de sécurité. Lorsque le réservoir d'eau est vide et/ou correctement positionné, le déshumidificateur se remettra en marche automatiquement. **REMARQUE:** Cela peut prendre plusieurs minutes avant que l'appareil ne se remette en marche.

LUMIÈRE DE EAU PLEIN

- Lorsque le réservoir est plein, l'appareil s'arrêtera et le voyant lumineux « Seau plein » va s'allumer.
- Le réservoir d'eau doit être correctement enlevé de l'appareil en le glissant vers l'extérieur à partir du devant de l'appareil et il devrait être vidé.
- Lorsque le réservoir vide est remplacé correctement dans l'appareil, l'appareil se remettra en marche et fonctionnera normalement. Veuillez utiliser les deux mains pour vider avec soins le réservoir d'eau.

Fig. 2



RÉGLAGE D'ORIGINE

Chaque fois que l'appareil est débranché/rebranché et/ou dans le cas d'une panne électrique, le circuit électronique est automatiquement réinitialisé au réglage d'origine.

Ajustement de l'humidité : 60%
Vitesses du ventilateur: Bas

REMARQUE: En cas d'une panne d'électricité, l'unité prendra par défaut au dernier cadre de programme qui a été utilisé quand le pouvoir est restauré.

FONCTIONNEMENT DU RÉSERVOIR D'EAU

Une installation appropriée du réservoir d'eau est cruciale afin de maintenir un fonctionnement approprié du déshumidificateur.

Le réservoir d'eau reçoit l'accumulation d'eau condensée et au moyen d'un interrupteur de sécurité, contrôle le niveau d'eau et le fonctionnement du processus de déshumidification. Lorsque le réservoir d'eau est plein et/ou accidentellement déplacé à l'intérieur du boîtier, l'actionneur de l'interrupteur (à l'intérieur du réservoir) coupe le contact avec l'interrupteur de sécurité. Cette condition résulte dans un arrêt immédiat du compresseur et du moteur du ventilateur, empêchant l'humidité d'être condensée. **IMPORTANT:** Ne jamais manipuler ou essayer de modifier le système d'interrupteur avec flotteur de niveau d'eau (sécurité).

CONSIGNES D'OPÉRATION (suite)

DÉCONGELER

Lorsque l'appareil fonctionne sous de basses températures (moins de 18 °C) (64,4°F), la surface de l'évaporateur peut accumuler une couche de givre qui réduira l'efficacité de l'appareil. Lorsque cela se produit, l'appareil entrera périodiquement dans le mode de dégivrage. L'appareil fonctionnera à une température allant jusqu'à 5 °C (41°F). Le temps pour la décongélation peut différer. Si l'appareil congèle, il devrait être arrêté au bloc d'alimentation et redémarrer. Si la température reste sous les 5 °C (41°F), l'appareil devrait être mis hors tension.

DÉSHUMIDIFICATION

Lors de branchement initial de l'appareil sur la prise de courant, le témoin d'alimentation vert clignote; il continue à clignoter jusqu'à ce qu'on appuie sur le bouton de mise en marche «marche / arrêt»;

lors de la pression sur le bouton, le témoin vert cesse de clignoter et il reste illuminé en permanence; l'appareil adopte automatiquement la configuration de fonctionnement suivante:

Réglage selon l'hygrométrie ambiante:

Hygrométrie relative de 60%

Vitesse ventilateur: Bas

IMPORTANT: Selon le taux d'hygrométrie de l'environnement, l'appareil peut ne pas se mettre en marche automatiquement avec la configuration de réglage adoptée par défaut (ceci indique que le taux d'hygrométrie de l'environnement est inférieur à 60%). Par conséquent il sera alors nécessaire de sélectionner

successivement chacun des réglages d'hygrométrie qui permet le fonctionnement de l'appareil.

SÉLECTION DU MODE DE DÉSHUMIDIFICATION

1) Appuyer sur le bouton «marche / arrêt» pour commander la mise en marche de l'appareil

2) Appuyez la touche d'humidité ou pour sélectionner la valeur de l'humidité relative désirée (30-90%)

CHOIX DE VITESSE DE VENTILATEUR:

Choisissez une vitesse de ventilateur sur le clavier numérique. La vitesse que vous choisissez est identifiée par le voyant de signalisation (lumineux) situé directement au-dessus du choix fait.

FILTRE À AIR

Le déshumidificateur comporte un filtre à air amovible, situé à l'avant de l'appareil (derrière Entrée d'Air) directement au-dessus du compartiment du réceptacle à eau. La fonction du filtre à air est de minimiser la concentration de particules de poussière dans l'atmosphère environnante. Un filtre à air obstrué réduit le débit de circulation d'air, ce qui dégrade l'efficacité de fonctionnement de l'appareil. On doit inspecter et nettoyer le filtre à intervalles réguliers (intervalle de deux semaines) pour que l'appareil puisse toujours fonctionner au niveau d'efficacité maximum.

Il peut être nécessaire d'augmenter la fréquence des nettoyages, selon la qualité de l'air à traiter.

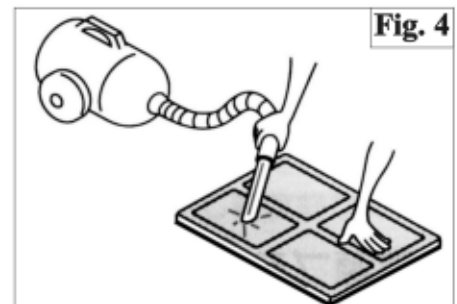
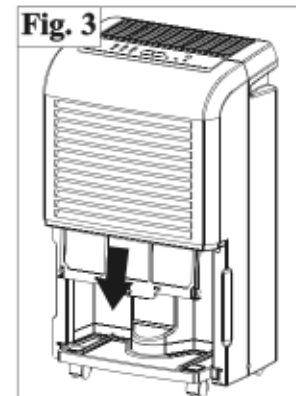
IMPORTANT: Ne jamais faire fonctionner l'appareil lorsque le filtre à air n'est pas en place.

DÉPOSER DU FILTRE À AIR:

1) Saisir la poignée du filtre, le filtre glissera facilement (Fig. 3).

2) Nettoyer parfaitement le filtre à air avec un aspirateur (Fig. 4). On peut également le laver avec de l'eau tiède et un détergent doux. Faire sécher parfaitement le filtre avant de le réinstaller.

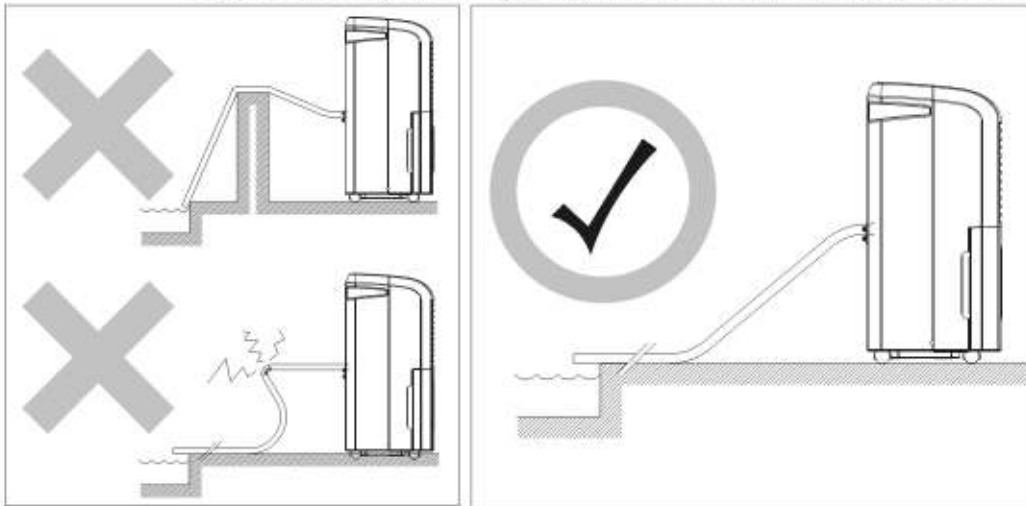
3) Pour réinstaller le filtre à air, réinsérer le filtre dans les glissières et pousser jusqu'à la position d'emboîtement.



CONSIGNES D'OPÉRATION (suite)

INSTALLATION DE DRAINAGE EN PVC

Lorsque vous utilisez la fonction de drainage continue, le tuyau de PVC doit être placé horizontalement en-dessous du trou de drainage. Évitez les planchers inégaux et que le tuyau soit plié. **NOTE:** Si vous endommagez ou mal placez la tuyauterie souple de vidange de PVC, un tuyau de jardin standard peut être utilisé.



DRAINAGE CONTINU

La fonction de drainage continu peut être effectuée en suivant les étapes suivantes, s'il existe de bonnes conditions de drainage à proximité de l'appareil.

1) Pour éviter d'avoir à vider périodiquement le réservoir d'eau, cet appareil peut être configuré pour le drainage continu. Vous pouvez utiliser le tuyau de drainage fourni pour connecter sur le connecteur de drainage continu.

2) Dévissez et enlevez le bouchon du drain à l'arrière de l'appareil. (Fig. A)

3) Enlevez le bouchon de caoutchouc souple. Placez-le dans le réservoir d'eau pour le conserver en lieu sûr. (Fig. B)

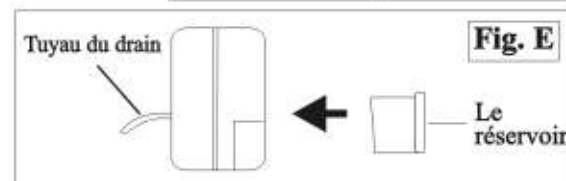
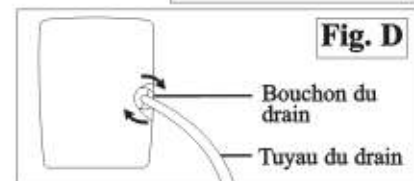
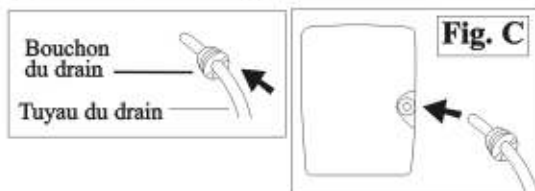
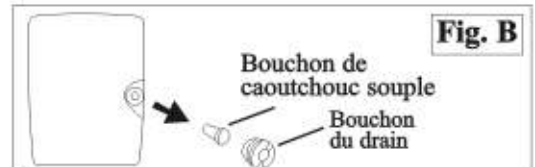
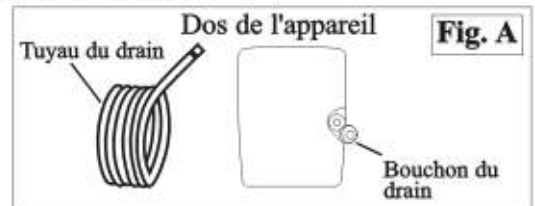
4) Insérez le tuyau de drainage à travers le trou du bouchon de drainage (Fig. C).

5) Assurez que l'anneau de joint en caoutchouc est correctement posé à la fin du tuyau comme montré ici, à la Fig. C.

6) Connectez le tuyau de drainage au port de drainage (Fig. D).

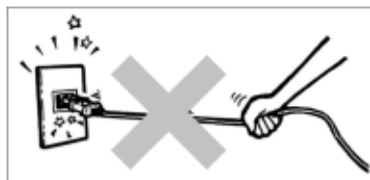
7) Serrez le bouchon de drainage dans le sens des aiguilles d'une montre sur le dos de l'appareil (Fig. D).

8) Remplacez le réservoir dans sa position originale (Fig. E).

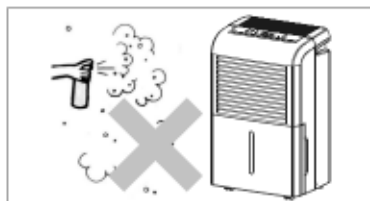


PRÉCAUTIONS

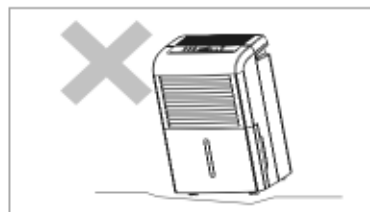
1) **NE PAS** tirer sur le cordon d'alimentation afin d'éviter la rupture, des dangers potentiels ou des blessures.



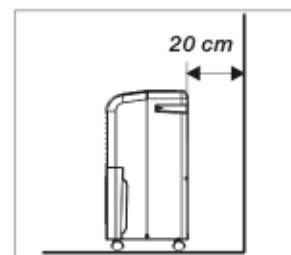
2) Ne pas utiliser d'huile à insecte ou de la peinture en vaporisateur autour de l'appareil: cela pourrait causer du dommage aux pièces de plastique ou faire démarrer un incendie.



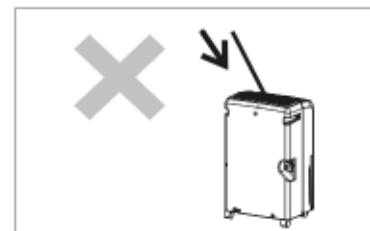
3) Ne pas placer l'appareil sur un plancher inégal pour éviter le tremblement, le bruit et les fuites d'eau.



4) Toujours garder l'appareil à 20 cm ou plus d'un mur afin de dissiper la chaleur correctement.



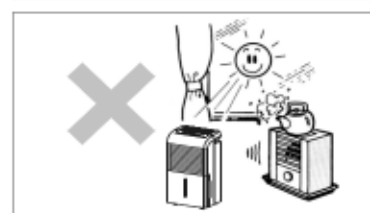
5) Ne laissez rien tomber dans l'appareil.



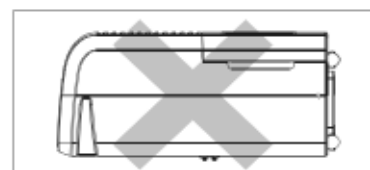
6) Fermez toutes les fenêtres afin de laisser le plus d'efficacité possible pour l'enlèvement de l'humidité




7) Gardez l'appareil loin de toute source de chaleur.



8) Lors du déplacement ou de l'entreposage, ne placez pas le déshumidificateur sur le côté ou à l'envers et évitez les secousses violentes.



SOINS ET ENTRETIEN

NETTOYAGE  **PRÉCAUTION:** On doit toujours débrancher le cordon d'alimentation de la prise de courant électrique avant d'entreprendre une opération de nettoyage ou d'entretien de l'appareil

1) NE JAMAIS utiliser d'essence, benzène, de peinture, diluant ou autre composé chimique pour nettoyer cet appareil; toutes ces substances feront subir des dommages ou déformations aux composants de plastique et dégraderont la finition.

2) Ne jamais verser de l'eau directement sur l'appareil; ceci pourrait faire subir des dommages aux composants électriques et à l'isolant des conducteurs électriques.

3) Utiliser uniquement de l'eau tiède, un détergent pour lave-vaisselle et un chiffon doux pour essuyer complètement les surfaces externes de l'appareil.

REMISAGE Si le déshumidificateur doit rester inutilisé et être remisé durant une période prolongée, procéder comme suit:

1) Débrancher le cordon d'alimentation de la prise de courant.

2) Vider le réceptacle à eau; essuyer parfaitement les surfaces.

3) Nettoyer parfaitement le filtre à air.

4) Remettre l'appareil dans son emballage d'origine.

5) Remiser l'appareil verticalement, en un lieu sec.

DÉPANNAGE

Quelques problèmes mineurs peuvent occasionnellement survenir, que l'utilisation pourra résoudre. Utiliser le guide de diagnostic ci-dessous pour identifier les éventuels problèmes qui se manifesteraient. Si l'appareil persiste à ne pas fonctionner correctement, obtenir l'aide du centre de service Danby local, ou téléphoner au

1-800-26-Danby® (1-800-263-2629)

PROBLEME	CAUSE PROBABLE
1) Le appareil ne fonctionne pas.	<ul style="list-style-type: none">• Contrôler le branchement du cordon d'alimentation.• Contrôler l'alimentation de la prise de courante (fusible grillé?)• Déterminer si le réceptacle à eau est plein (vider)• Vérifier que le réceptacle à eau est correctement installé dans l'appareil
2) Capacité de déshumidification insuffisante.	<ul style="list-style-type: none">• Filtre à air encrassé/obstrué• Température ambiante trop basse (inférieur à 5°C) (41°F)• Médiocre circulation d'air/obstruction de la grille avant• Taux d'hygrométrie ambient très bas.
3) Niveau d'hygrométrie choisi pas atteint après une longue période de fonctionnement.	<ul style="list-style-type: none">• Vérifier que toutes les portes et fenêtres sont fermées• Le volume de la pièce est trop important compte tenu de la capacité de l'appareil.

Danby
Premiere

GARANTIE LIMITÉE SUR APPAREIL ÉLECTROMÉNAGER

Cet appareil de qualité est garanti exempt de tout vice de matière première et de fabrication, s'il est utilisé dans les conditions normales recommandées par le fabricant.

Cette garantie n'est offerte qu'à l'acheteur initial de l'appareil vendu par Danby Products Limited (Canada) ou Danby Products Inc. (E.- U. d'A) (ci-après "Danby") ou par l'un des ses distributeurs agréés et elle ne peut être transférée.

CONDITIONS

Les pièces en plastique sont garanties pour trente (30) jours seulement à partir de la date de l'achat, sans aucune prolongation prévue.

Première 24 mois Pendant les vingt quatre (24) mois, toutes pièces fonctionnelles de ce produit s'avèrent défectueuses, seront réparées ou remplacées, selon le choix du garant, sans frais à l'acheteur INITIAL.

Pour bénéficiaire du Service Le client sera responsable pour le transport et tous les frais d'expédition de tout appareil exigeant le service au dépôt de service autorisé le plus proche. S'adresser au détaillant qui a vendu l'appareil, ou à la station technique agréée de service la plus proche, où les réparations doivent être effectuées par un technicien qualifié. Si les réparations sont effectuées par quiconque autre que la station de service agréée où à des fins commerciales, toutes les obligations de Danby en vertu de cette garantie seront annulées.

Cette garantie indique en aucun temps la responsabilité de Danby de l'avarie ou dommage de la vin ou autre contenu, soit par les vices de l'appareil, ou soit par l'utilisation convenable ou inexacte.

EXCLUSIONS

En vertu de la présente, il n'existe aucune autre garantie, condition ou représentation, qu'elle soit exprimée ou tacite, de façon manifeste ou intentionnelle, par Danby ou ses distributeurs agréés. De même, sont exclues toutes les autres garanties, conditions ou représentations, y compris les garanties, conditions ou représentations en vertu de toute loi régissant la vente de produits ou de toute autre législation ou règlement semblables.

En vertu de la présente, Danby ne peut être tenue responsable en cas de blessures corporelles ou des dégâts matériels, y compris à l'appareil, quelle qu'en soit les causes. Danby ne peut pas être tenue responsable des dommages indirects dus au fonctionnement défectueux de l'appareil. En achetant l'appareil, l'acheteur accepte de mettre à couvert et de dégager Danby de toute responsabilité en cas de réclamation pour toute blessure corporelle ou tout dégât matériel causé par cet appareil.

CONDITIONS GÉNÉRALES

La garantie ou assurance ci-dessus ne s'applique pas si les dégâts ou réparations sont dus aux cas suivants:

- 1) Panne de courant.
- 2) Dommages subis pendant le transport ou le déplacement de l'appareil.
- 3) Alimentation électrique incorrecte (tension faible, câblage défectueux, fusibles incorrects).
- 4) Accident, modification, emploi abusif ou incorrect de l'appareil tel qu'une circulation d'air inadéquate dans la pièce ou des conditions de fonctionnement anormales (température extrêmement élevée ou basse).
- 5) Utilisation dans un but commercial ou industriel (à savoir, si l'appareil n'est pas installé dans un domicile résidentiel).
- 6) Incendie, dommages causés par l'eau, vol, guerre, émeute, hostilités, cas de force majeure (ouragan, inondation, etc.).
- 7) Visites d'un technicien pour expliquer le fonctionnement de l'appareil au propriétaire.
- 8) Installation inappropriée (par exemple, encastrement d'un appareil autoportant, ou utilisation extérieure d'un appareil non conçu à cet effet).

Une preuve d'achat doit être présentée pour toute demande de réparation sous garantie. Prière de garder le reçu. Pour faire honorer la garantie, présenter ce document à la station technique agréée ou s'adresser à:

Service sous-garantie
En Atelier.

Danby Products Limited
PO BOX 1778 Guelph, Ontario, Canada N1H 6Z9
Telephone: (519) 837-0920 FAX: (519) 837-0449

1-800-263-2629

Danby Products Inc.
PO BOX 669 Findlay, Ohio, U.S.A.45840
Telephone: (419) 425-8627 FAX: (419) 425-8629



Danby Premiere®

Model • Modèle
DDR25E, DDR30E, DDR45E, DDR5011

For service, contact your nearest service depot or call:

1-800-26- **Danby**
(1-800-263-2629)

to recommend a depot in your area.

Pour obtenir le service, consultez votre centre de service le plus rapproché ou composez le:

1-800-26- **Danby**
(1-800-263-2629)

vous recommandera un centre régional.

PORTABLE DEHUMIDIFIER

The model number can be found on the serial plate located on the back panel of the unit.

All repair parts are available for purchase or special order when you visit your nearest service depot. To request service and/or the location of the service depot nearest you, call the TOLL FREE NUMBER.

When requesting service or ordering parts, always provide the following information:

- **Product Type**
- **Model Number**
- **Part Number**
- **Part Description**

DÉSHUMIDIFICATEUR PORTATIF

Le numéro de modèle se trouve sur la plaque d'information sur le panneau arrière de l'appareil.

Toutes les pièces de rechange ou commandes spéciales sont disponibles à votre centre de service régional autorisé.

Pour obtenir le service et/ou la localité de votre centre de service régional, signalez le NUMÉRO D'APPEL SANS FRAIS. Ayez les renseignements suivants à la portée de la main lors de la commande de pièce ou service :

- **Type de produit**
- **Numéro de modèle**
- **Numéro de pièce**
- **Description de la pièce**

Danby Products Limited, Guelph, Ontario, Canada N1H 6Z9
Danby Products Inc. Findlay, Ohio, U.S.A.45840
