

# PP944DT/TT

## GE Profile™ 30" Built-In CleanDesign Electric Cooktop

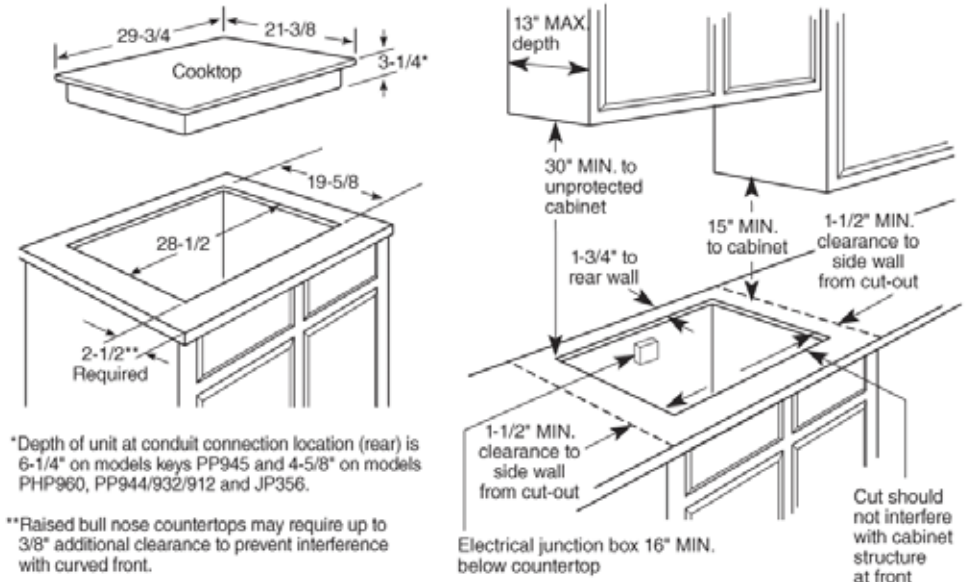
### Dimensions and Installation Information (in inches)

KW Rating	
240V	8.5
208V	6.4
Breaker Size	
240V	40 Amps†
208V	30 Amps†

†**Note:** Check local codes for required breaker size

**Important:** Requires a 5" free area between the bottom of the cooktop to any combustible material, i.e., shelving. Free area not required when installing wall oven underneath cooktop. Refer to installation instructions. Requires a 15" minimum from cooktop to adjacent overhead cabinets. Units are furnished with a 48" flexible armored cable.

**Note:** 30" Ribbon cooktops are approved for use over select GE 30" Single Wall Ovens and Warming Drawers. All 30" ribbon cooktops can be installed over 27" wall ovens and warming drawers. Refer to cooktop and wall oven/warming drawer installation instructions packed with product for current dimensional data. If installed with a GE Profile™ Telescopic Downdraft System, consult both the cooktop and downdraft installation instructions packed with product before installing. Cooktop gas/electric supply may need to be re-routed to install downdraft. The countertop must be at least 26" deep with a flat surface area of 23-1/2" or more, front to back. In addition, other clearances to the front edge of the countertop must be considered. Consult cabinet and countertop manufacturer's specs for flush mount installation prior to install. **Before installing, consult installation instructions packed with product for current dimensional data.**



For answers to your Monogram,® GE Profile™ or GE® appliance questions, visit our website at [geappliances.com](http://geappliances.com) or call GE Answer Center® service, 800.626.2000.



imagination at work



# PP944DT/TT

## GE Profile™ 30" Built-In CleanDesign Electric Cooktop

### Features and Benefits

- Ceramic glass cooktop - A smooth cooktop surface makes cleaning quick and easy
- Ribbon heating elements - Powerful heat beneath the smooth surface provides high-speed warm-up and even heating
- 6"/9" PowerBoil™ Element - Accommodates various-size pots or pans and 3,000 watts of power speeds the boiling process
- 5"/8" Dual element - To heating elements in one allows you to choose either a 5" or 8" element for your cookware
- Fifth element warming zone - Simplify meals by keeping foods fresh from the oven warm and ready to serve
- Model PP944TTWW - White on white
- Model PP944DTBB - Black on black

