



## 3018RGL

**3000 SERIES**

### FEATURES

**PERFORMANCE**

- U-Select™ Control: Integrated OLED display with intuitive user interface ergonomically located on top of door
- Digitally controlled convection cooling system
- Refrigeration capacity of 3.6 cubic feet
- Capacities: 60 12-oz bottles or 127 12-oz cans
- Temperature setting from 39 to 65° F
- Sabbath / Blackout mode turns off all lighting, controls display and automatically resets after 36 hours
- UL residential listings



Adjustment and configuration of shelves allows for storing taller items

**INTERIOR / EXTERIOR**

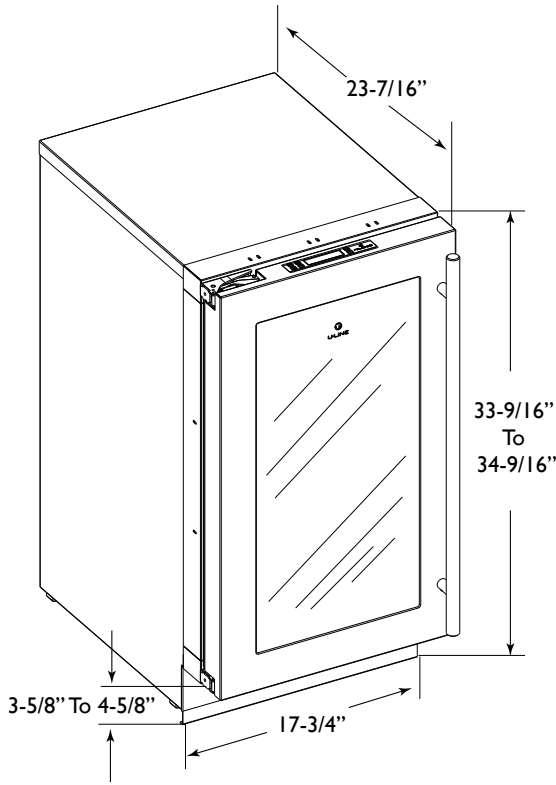
- Three fully adjustable tempered glass shelves with 11 positions optimize storage space for a wide variety of options
- Black interior with LED theater lighting optimizes elegant and easy viewing of contents
- LowE coated, argon gas filled thermopane glass door provides protection from harmful UV rays and added insulating energy efficiency
- Robust, concealed and covered hinges with built-in door stop and closer
- Convenient crisper drawer comes in handy to store smaller items and keep them fresh

**INTEGRATION**

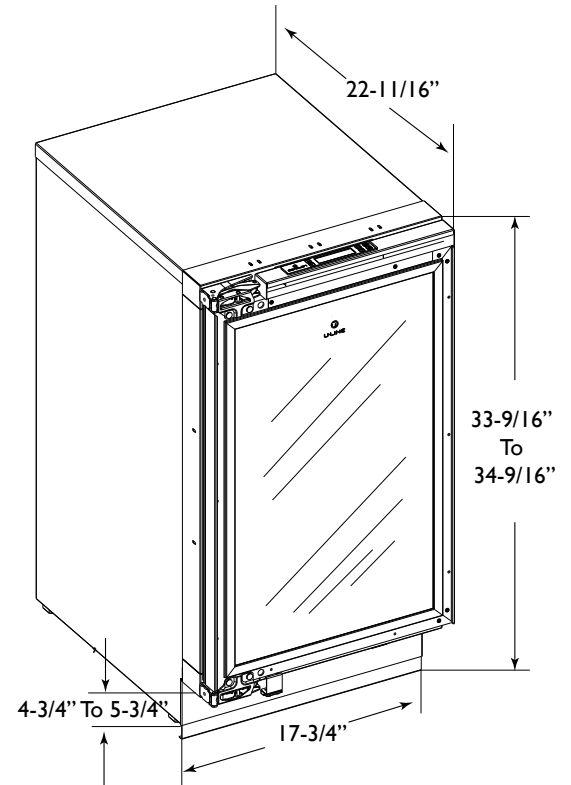
- Standard commercial stainless steel handle is interchangeable with professional handle option
- Adjustable toe-kick - front to back and up and down allows for seamless installation
- Front adjustable rear leveling legs greatly eases installation
- Allow a 2-1/2" clearance on hinged side for 90° door opening when installed adjacent to a wall (for stainless steel model)
- Allow 1/4" width overall for proper installation (see backside for details)
- No additional clearance around sides, top or rear of unit is needed for ventilation



Single Zone Convection Cooling System featured in 3018RGL



3018RGLS Stainless Model



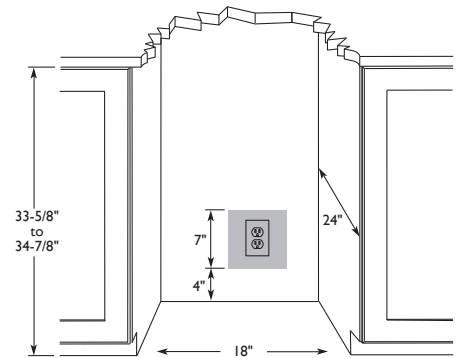
3018RGLOL Overlay Model

**DIMENSIONS AND SPECIFICATIONS**

**OVERALL DIMENSIONS**

|                                |                            |
|--------------------------------|----------------------------|
| Height                         | 33-9/16" (85.2)            |
| Width                          | 17-3/4" (45)               |
| Depth                          | 23-7/16" (60)              |
| With stainless steel handle    | 25-5/16" (64.3)            |
| <b>Shipping weight:</b>        |                            |
| Overlay Model                  | 117 lbs (53.1 kg)          |
| Stainless Model                | 128 lbs (58.1 kg)          |
| <b>Running amps</b>            |                            |
| Amps pertain to voltage rating | 2.4<br>110/115 volt, 60 Hz |
| <b>Capacities:</b>             |                            |
| Refrigerator volume            | 3.6 Cu Ft                  |

| 3018RGL              |                 |
|----------------------|-----------------|
| Stainless Left-hand  | U-3018RGLS-01   |
| Stainless Right-hand | U-3018RGLS-00   |
| Overlay Left-hand    | U-3018RCGLOL-01 |
| Overlay Right-hand   | U-3018RCGLOL-00 |



Please visit [www.u-line.com](http://www.u-line.com) for installation guide.  
All specifications are subject to change without notice.

