



Stainless

Overlay

## 3036WCWC

3000 SERIES

### FEATURES

#### PERFORMANCE

- Wine bottle capacity up to 62 bottles (.75L)
- Digitally controlled dual-zone convection cooling system
- U-Select™ Control: Integrated OLED display with intuitive user interface ergonomically located on top of door
- Beverage Mode: 38° to 65°F, Sparkling Wine Mode: 38°- 50°F, White Wine Mode: 45°- 55°F, Red Wine Mode: 55°- 65°F
- U-Select™ Control provides 4 distinct settings designed to provide precise refrigeration and maximize preservation
- Convection Cooling Technology
- Sabbath / Black-Out mode
- UL Residential Listing

#### INTERIOR / EXTERIOR

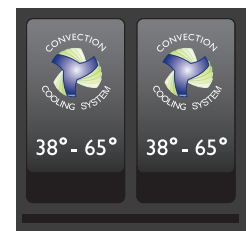
- 2 wine racks will fit larger diameter wine bottles, including Champagne bottles
- Black interior with LED theater lighting optimizes elegant display
- Solid beech wood trimmed, full-extension black vinyl coated wine racks allow for full access to stored wines
- LowE coated, argon gas filled thermopane glass door provides protection
- Robust, concealed and covered hinges with built-in door stop and closer
- Durable delrin feet on leveling legs glide easily on floor and reduce potential scratching

#### INTEGRATION

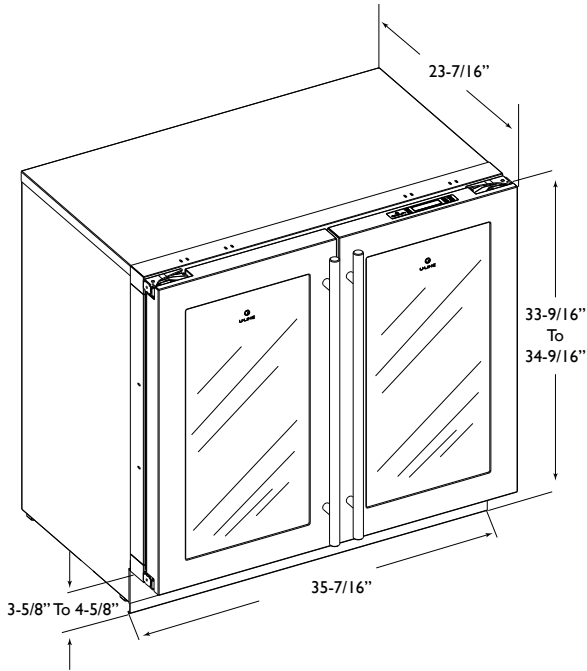
- Standard commercial stainless steel handle is interchangeable with professional handle option
- Adjustable toe-kick - front to back and up and down allows for seamless installation
- Front adjustable rear leveling legs greatly eases installation
- Allow a 2-1/2" clearance on hinged side for 90° door opening when installed adjacent to a wall (for stainless steel model)
- Allow 1/4" width overall for proper installation (see backside for details)
- No additional clearance around sides, top or rear of unit is needed for ventilation



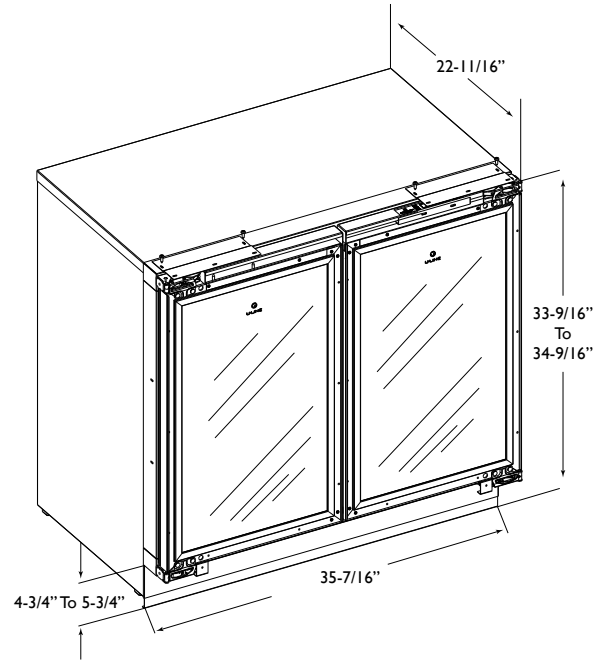
2 wine racks will fit larger diameter wine bottles, including Champagne bottles



Dual Zone System featured in 3036WCWC



3036WCWC Stainless Model



3036WCWC Overlay Model

DIMENSIONS AND SPECIFICATIONS

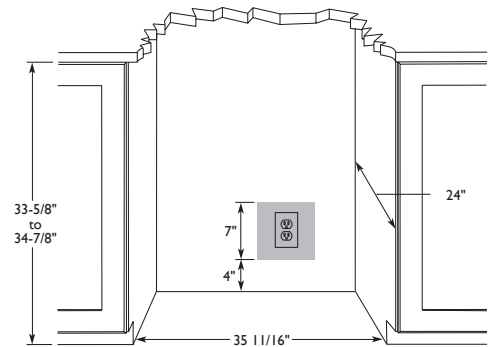
OVERALL DIMENSIONS

Height	33-9/16" (85.2)
Width	35-7/16" (90)
Depth	23-7/16" (60)
With stainless steel handle	25-5/16" (64.3)

Shipping weight:	
Stainless model	250 lbs (113.4 kg)
Overlay model	230 lbs (104.3 kg)
Running amps	2.4
Amps pertain to voltage rating	110/115 Volt, 60 Hz

Capacities:	
Wine bottle storage (0.75L)	Up to 62

3036WCW	
Stainless	U-3036WCWCS-00
Overlay	U-3036WCW-COL-00



Please visit [www.u-line.com](http://www.u-line.com) for installation guide.

All specifications are subject to change without notice.