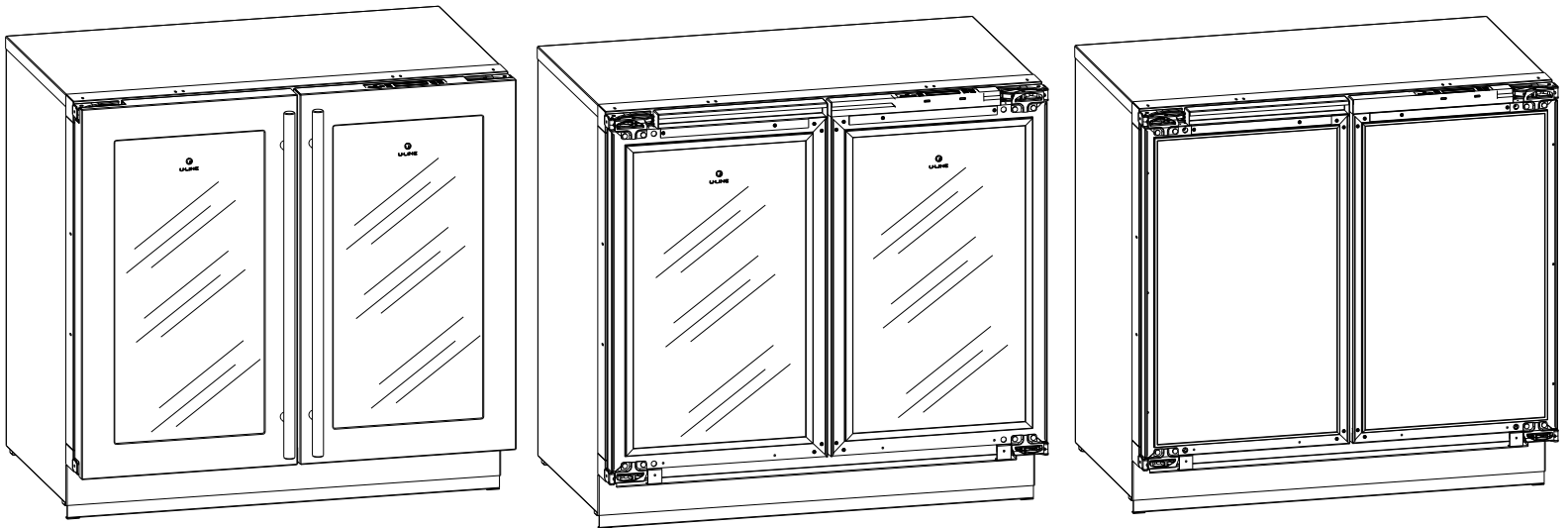
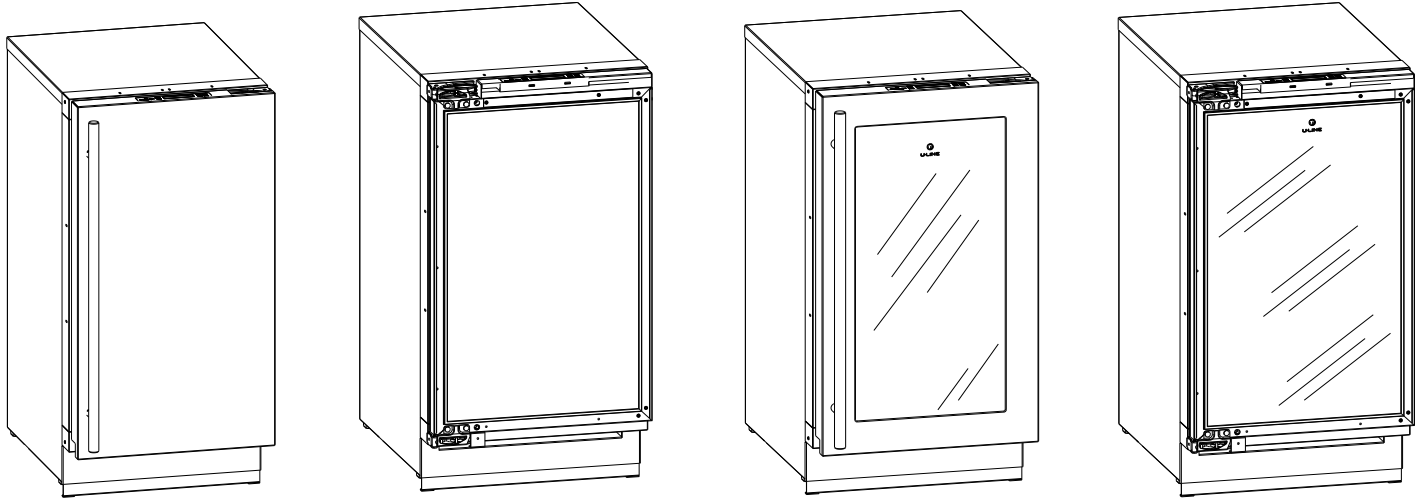


3000 Series - 18" & 36" Models



I Table of Contents

Safety Precautions	
Safety Alert Definitions	1
General Precautions.....	1
Inspect & Plan	
Product Registration	2
Product Description.....	2
Tools / Material Required.....	2
Exterior Cleaning.....	2
Prepare Site	
Electrical Specifications.....	3
Cut-Out Dimensions	3
3018 Series.....	3
3036 Series.....	3
Product Dimensions	
3018 & 3036 Series	4
Door Swing Dimensions	
Other Site Requirements.....	5
Side-By-Side Installation	5
Power Supply	5
Environmental Requirements.....	5
3000 Series Doors	
Door Alignment and Adjustment.....	6
3000 Series Overlays	
Overlay / Frame Overlay Panel	7
Panel Preparation.....	7
Panel Installation	7
Overlay Grille	8
Preparing The Overlay	8
3000 Series Anti-Tip Bracket	
Anti-Tip Brackets Installation.....	10
Level & Install	
Leveling Information.....	12
Installation.....	12
Relocating the Shelves	12
Installation Troubleshooting.....	12

2 Safety Precautions

IMPORTANT

- **PLEASE READ** all instructions before installing, operating, or servicing the appliance.
- Proper installation procedures must be followed when completing an installation or relocation of a unit. Consult the installation guide before any installation begins. U-Line contact information appears on the rear cover of this guide.
- This unit requires connection to a dedicated 15 Amp grounded (three-prong), polarized receptacle, installed by a qualified electrician, compliant with applicable electrical codes.

Safety Alert Definitions

Throughout this guide are safety items labeled with a Danger, Warning or Caution based on the risk type:

DANGER

Danger means that failure to follow this safety statement will result in severe personal injury or death.

WARNING

Warning means that failure to follow this safety statement could result in serious personal injury, property or equipment damage.

CAUTION

Caution means that failure to follow this safety statement may result in minor or moderate personal injury, property or equipment damage.

General Precautions

Use this appliance for its intended purpose only and follow these general precautions with those listed throughout this guide:

DANGER

RISK OF CHILD ENTRAPMENT. Before you throw away your old refrigerator or freezer, take off the doors and leave shelves in place so children may not easily climb inside.

WARNING

SHOCK HAZARD - Electrical Grounding Required.

- Never attempt to repair or perform maintenance on the unit until the electricity has been disconnected.
- Never remove the round grounding prong from the plug and never use a two-prong grounding adaptor.
- Altering, cutting of power cord, removal of power cord, removal of power plug, or direct wiring can cause serious injury, fire and or loss of property and or life, and will void the warranty.
- Never use an extension cord to connect power to the unit.
- Always keep your working area dry.

WARNING

Install provided Anti-Tip kit on all Wine Captain Models and Glass Door Refrigerators. Serious personal injury could occur.

CAUTION

- Use care when moving and handling the unit. Use gloves to prevent personal injury from sharp edges.
- If your model requires defrosting, **DO NOT** use an ice pick or other sharp instrument to help speed up defrosting. These instruments can puncture the inner lining or damage the cooling unit. **DO NOT** use any type of heater to defrost. Using a heater to speed up defrosting can cause personal injury and damage to the inner lining.

IMPORTANT

- Do not lift unit by door handle.
- Never install or operate the unit behind closed doors. Be sure front grille is free of obstruction. Obstructing free airflow can cause the unit to malfunction and will void the warranty.
- Failure to clean the condenser every six months can cause the unit to malfunction. This could void the warranty.
- Allow unit temperature to stabilize for 24 hours before use.
- Do not Block any internal Fans

Use only genuine U-Line replacement parts. Imitation parts can damage the unit, affect its operation or performance and may void the warranty.



Product Registration

You have received a carton containing your 3000 series unit with a package inside containing a Use and Care Guide and a Product Registration Card. Please complete and mail the Product Registration Card or register online at www.U-LineService.com. Once your unit is installed, keep the Use and Care Guide and this Installation Guide in a safe place for future reference.

Product Description

This installation guide covers the following models.

U-3018RGL0L-00	U-3018WCS-00
U-3018RGL0L-01	U-3018WCS-01
U-3018RGLS-00	U-3036RRGL0L-00
U-3018RGLS-01	U-3036RRGLS-00
U-3018RFOL-00	U-3036BVWCOL-00
U-3018RFOL-01	U-3036BVWCS-00
U-3018RFS-00	U-3036WCWCOL-00
U-3018RFS-01	U-3036WCWCS-00
U-3018WCOL-00	U-3036RRS-00
U-3018WCOL-01	U-3036RR0L-00

Inspection

Unwrap and inspect the unit on a flat, level surface capable of supporting its entire weight. If necessary, remove protective film from Stainless Steel models.

Tools / Material Required

- Screwdrivers — slotted, Phillips, and T-25 Torx head

Exterior Cleaning

IMPORTANT

Stainless door panels, handles and frames can discolor when exposed to chlorine gas, pool chemicals, salt water or cleaners with bleach.

- Keep your Stainless unit looking new by cleaning with a good quality all-in-one stainless steel cleaner/polish on a monthly basis. For best results use Claire Stainless Steel Polish and Cleaner, which can be purchased from U-Line Corporation (Part numbers 173348). Frequent cleaning will remove surface contamination that could lead to rust. Some installations may require cleaning on a weekly basis.
- **Do not clean with steel wool or abrasive pads.**
- **Do not use cleaners that are not specifically intended for stainless steel on stainless surfaces (this includes glass, tile and counter cleaners).**
- If any surface discolors or rust appears, clean it quickly with Bon-Ami or Barkeepers Friend Cleanser and a non-abrasive cloth. Always clean in the direction of the grain. Always finish this process with Claire Stainless Steel Polish and Cleaner or comparable product to prevent further problems.
- Glass surfaces may be cleaned with standard household window cleaners.

WARNING

Rust that is allowed to linger can penetrate into the surface of the stainless steel and complete removal of the rust may not be possible.

4 Prepare Site

Your U-Line product has been designed exclusively for a built-in installation. When built-in, your unit does not require additional air space for top, sides, or rear. However, the front grille must NOT be obstructed and clearance is required for an electrical connection in the rear.

IMPORTANT

- Unit can NOT be installed behind a closed cabinet door.

Electrical Specifications

⚠ WARNING

SHOCK HAZARD — Electrical Grounding Required.

- Never remove the round grounding prong from the plug and never use a two-prong grounding adapter.
- Never use an extension cord to connect power to the unit.

IMPORTANT

Electrical installation must observe all state and local codes. This unit requires connection to a grounded (three-prong), polarized receptacle that has been placed by a qualified electrician.

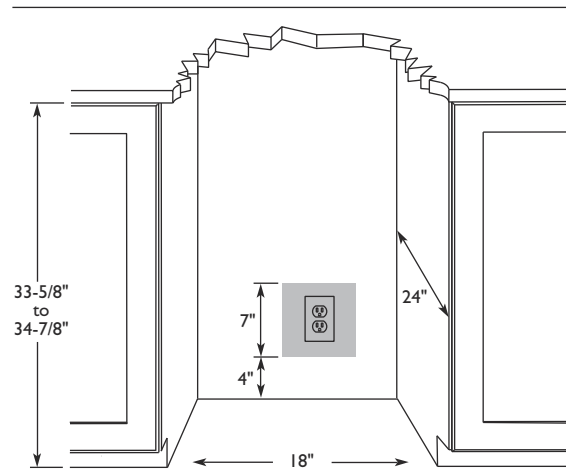
The unit requires a grounded and polarized 115 VAC, 60 Hz, 15A power supply (normal household current). An individual, properly grounded branch circuit or circuit breaker is recommended. GFCI (ground fault circuit interrupter) is usually not required for fixed location appliances and is not recommended for your unit because a GFCI could be prone to nuisance tripping. However, be sure to consult your local codes.

See below for recommended receptacle location

Cut-Out Dimensions

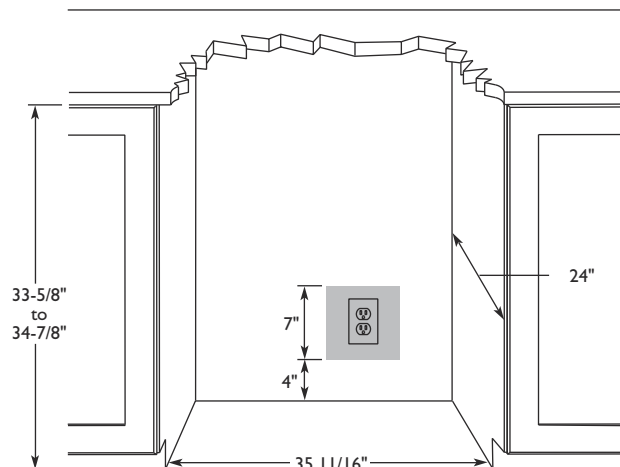
3018 Series

Follow the cut-out drawing. The 18" width allows for ease in installation and removal of the unit. 24" is the cabinet depth in most installations.



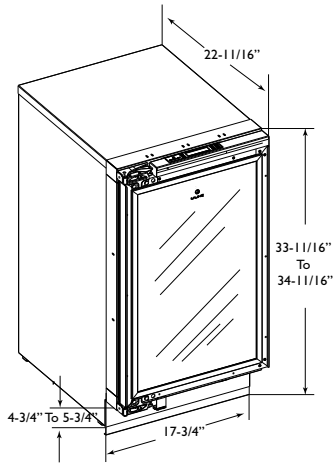
3036 Series

Follow the cut-out drawing. The 35 11/16" width allows for ease in installation and removal of the unit. 24" is the cabinet depth in most installations.

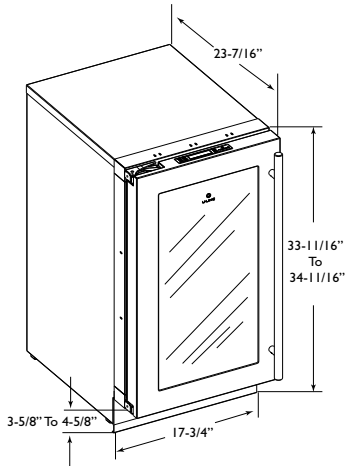


5 Product Dimensions

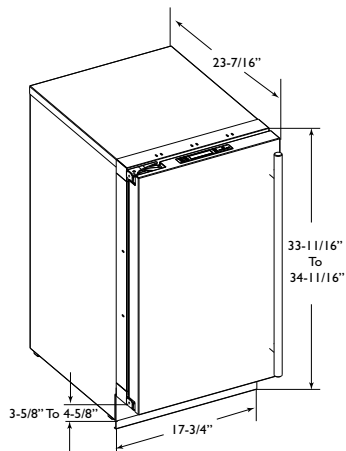
3018 Series



Glass And Solid Overlay

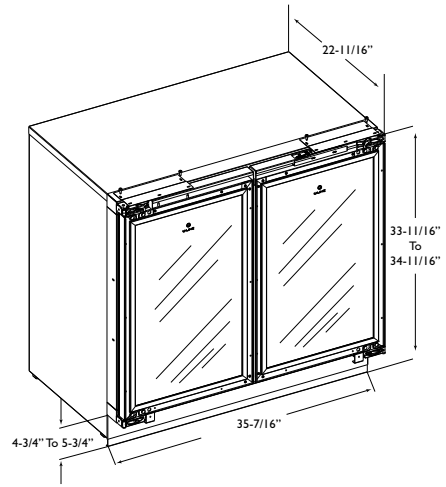


Stainless Steel Glass Door

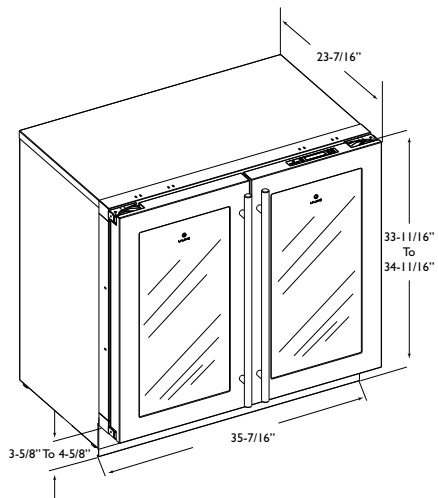


Stainless Steel Overlay Door

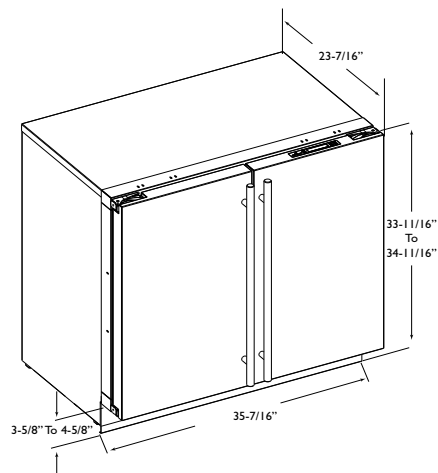
3036 Series



Glass & Solid Overlay



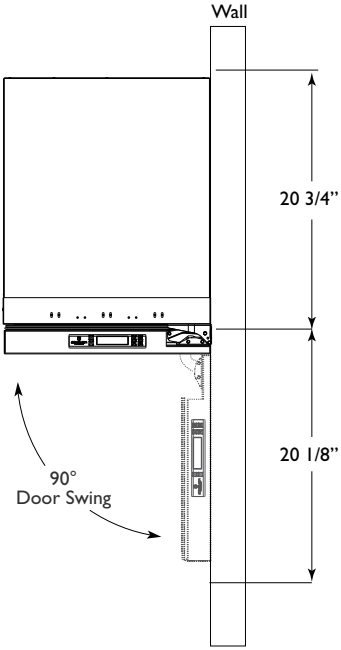
Stainless Steel Overlay Door



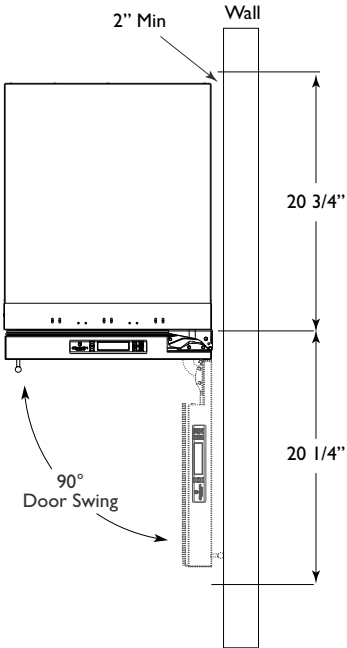
Stainless Steel Solid Door

6 Door Swing Dimensions

Units have a zero clearance for the door to open 90°. Overlay models will need additional space for any knobs or pulls installed on the overlay panel / frame. Stainless Steel models require 2" door clearance to accommodate the handle if installed next to a wall.



Overlay



Stainless

Other Site Requirements

Side-By-Side Installation

Cut-out width for a side-by-side installation is the total of the widths listed under Cut-Out Dimensions in each unit's Installation Guide.

No trim kit is required. However, a 1/4-inch of space needs to be maintained between the units to ensure unobstructed door swing.

Units must operate from separate, properly grounded electrical receptacles placed according to each unit's Electrical Specifications Requirements

Power Supply

The unit requires a grounded and polarized 115 VAC, 60 Hz, 15A circuit (normal household current). See Electrical Specifications.

Environmental Requirements

The units are designed to operate between 50°F (10°C) and 100°F (37°C). High ambient temperatures (100°F [37°C] or higher) may reduce the unit's ability to reach low temperatures and may also reduce the ice production rate for those models with icemakers.

For best performance, keep the unit out of direct sunlight and away from heat generating equipment.

In climates where high humidity and dew points are present, condensation may appear on outside surfaces. This is considered normal. The condensation will evaporate when the humidity drops.

7 3000 Series Doors

Door Alignment and Adjustment

Align and adjust the door if it is not level, or is not sealing properly. If the door is not sealed the unit may not cool properly, or excessive frost or condensation may form in the interior.

IMPORTANT

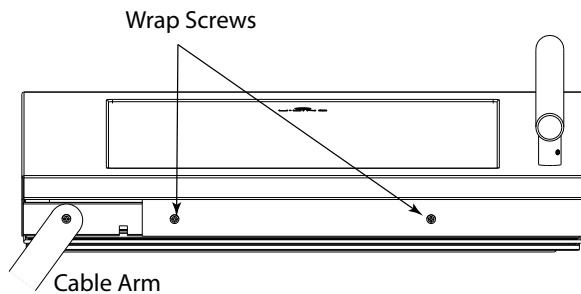
Properly aligned, the door's gasket should be firmly in contact with the cabinet all the way around the door (no gaps). Carefully examine the door's gasket to assure that it is firmly in contact with the cabinet. Also make sure the door gasket is not pinched on the hinge side of the door.

WARNING

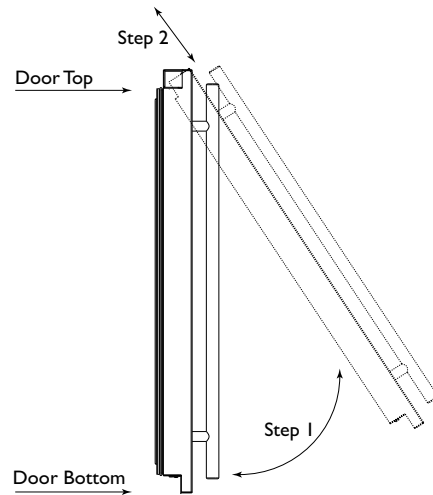
- Do not attempt to use the door to raise or pivot your unit. This would put excessive stress on the hinge system.
- Pay special attention to the Cable Arm. Make sure not to over extend or damage it during door alignment

Stainless Models (Removing Wrap)

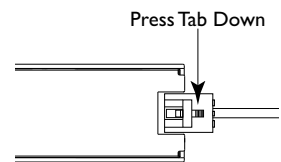
1. Open door completely
2. Use a short phillips head screw driver to remove stainless steel wrap screws from bottom of the door.
3. Remove the two wrap screws from the bottom of the stainless steel door wrap.



4. Gently pull bottom of wrap away from door.
5. The Wrap hinges on top of the door. Carefully pull wrap away and then up. **See Below.**

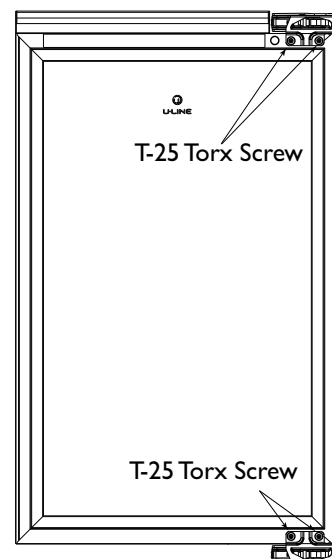


6. Remove cable from display by pressing the release pin on the cable connector.



Alignment and Adjustment

1. Using a T-25 Torx Bit, loosen each pair of torx head screws on both the upper and lower hinge plate.
2. Square and align door as necessary
3. Tighten Torx head screws on hinge
4. If necessary re-install Stainless steel wrap.



Overlay / Frame Overlay Panel

Panel Preparation

A Full overlay door panel completely covers the door frame and provides a built-in appearance.

IMPORTANT

- The door panel must not weigh more than 20lbs.
 - It is important to ensure that all drilled holes are drilled to the correct depth in order to avoid splits in the wood when hardware is installed.
 - Rear view of wood panel for right-hand hinge shown. Use mirror image for left hand hinges.
 - Appliance will need up to 34 1/2" to the under side of the counter to leave room for leveling adjustments
1. Cut the panels to the dimensions listed in the diagram below.
 2. Optional: Stain or Finish panel to desired stain or color. Be sure to closely follow the instructions provided by the manufacturer.

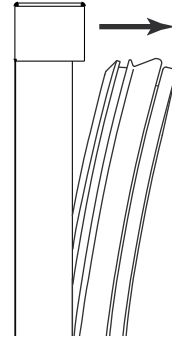
IMPORTANT

If finishing frame overlay, both sides of overlay must be finished in order to prevent warping.

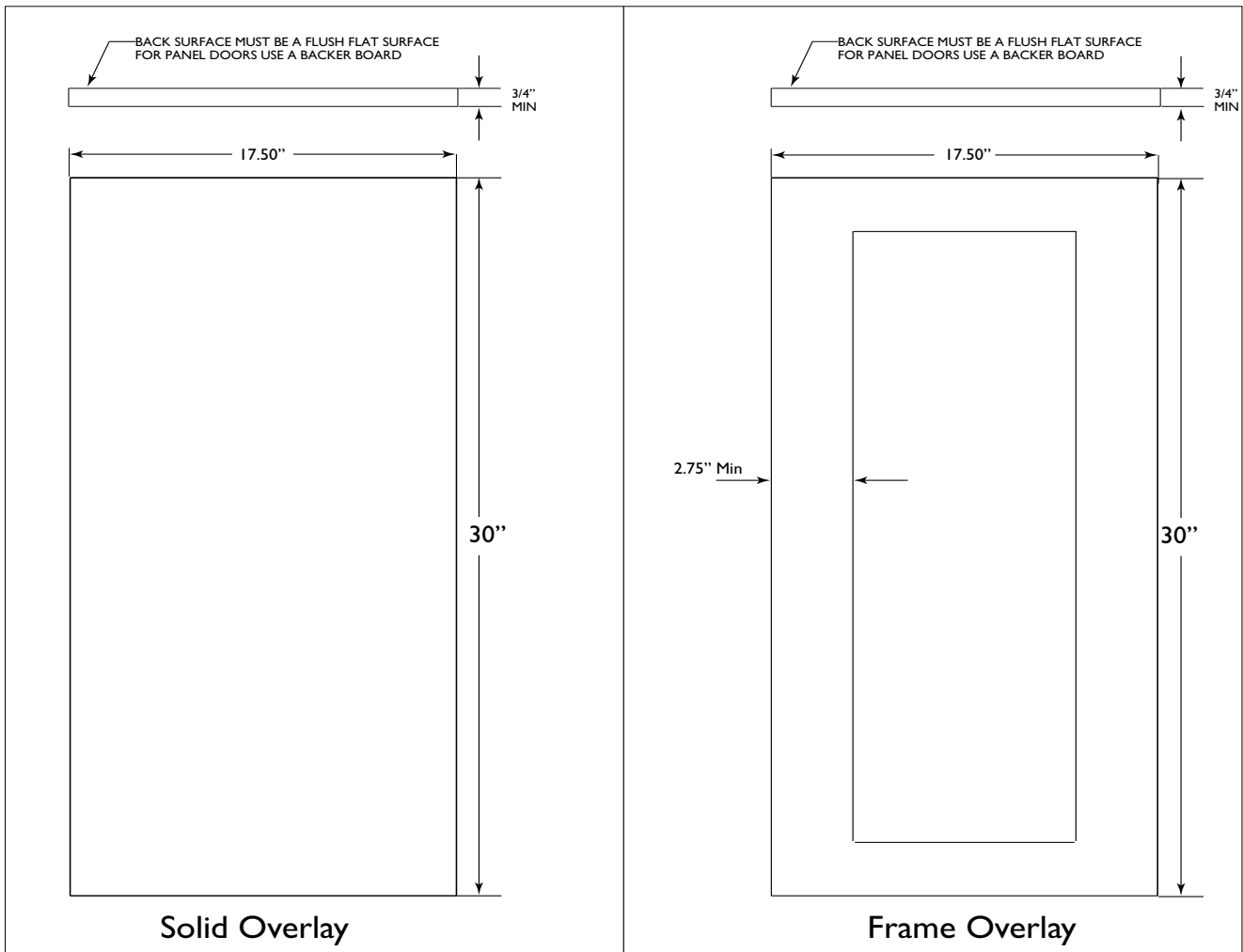
3. Optional: Install handles and hardware

Panel Installation

1. Fully open door.
2. Starting at corner pull gasket away from door.
3. Continue to pull gasket free from gasket channel.
4. Upon removal, lay gasket down on a flat surface.

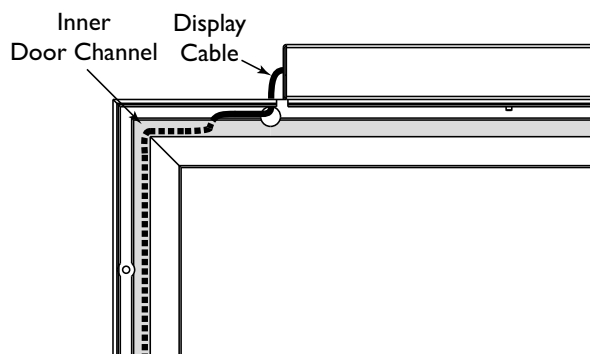


Overlay & Frame Overlay Panel Dimensions

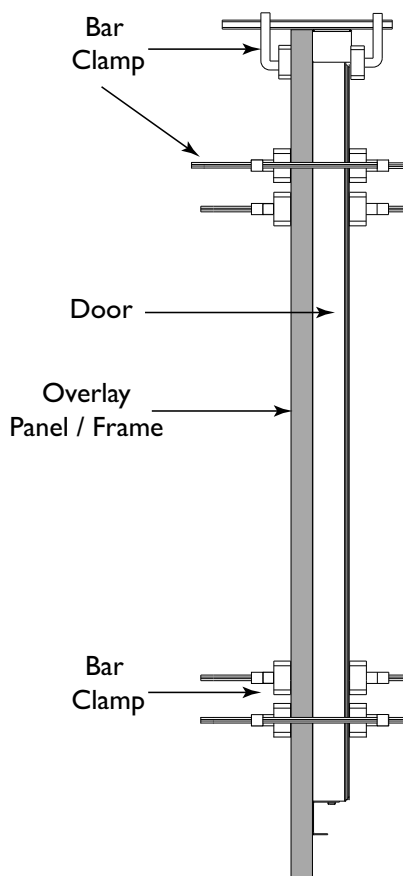


IMPORTANT

If working with the door that houses the display, make certain the display cable remains securely seated in the inner door channel, see below.

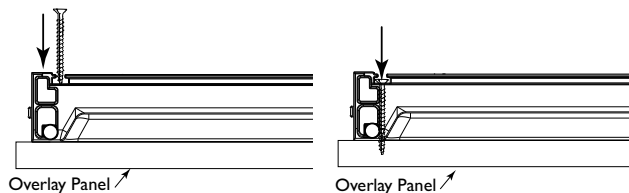


5. Carefully center and align the back side of your overlay with the front of the door.
6. Secure overlay to door using bar clamps.



7. Using a 7/64" Drill bit, drill 8 pilot holes into the wood panel 3/8" deep using the holes in the door frame as a guide.
8. Locate the 8 #6x2" screws provided with your unit
9. Using a phillips screwdriver, place one screw into each of the 8 pilot holes and screw down.

10. Be sure the screws force their way past the opening on the gasket channel and sit flush against the bottom of the gasket channel.



11. Remove bar clamps from door.
12. Starting at the corners, re-install the gasket into the gasket channel in the frame. Make sure the gasket is fully seated, this may take some force.

Overlay Grille

The 3000 series grille is fully adjustable and can be set to match your surrounding cabinetry dimensions. In addition to its adjustability, an overlay may also be installed to truly provide a seamless appearance.

Preparing The Overlay

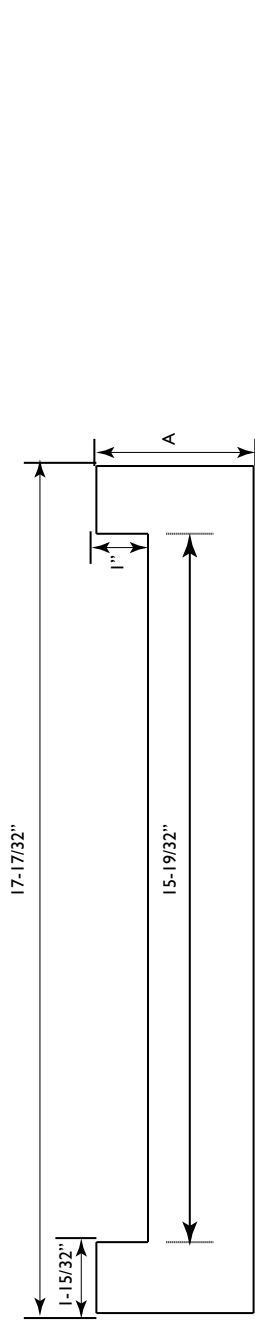
1. Use the dimensions provided in the diagram on page 9 to cut and shape your grille overlay. Recommended overlay thickness is between 1/4" and 3/8". Dimension A will vary based on your toe kick height.
2. Finish or stain your grille overlay to match your surrounding cabinetry. Be certain to carefully follow the finish manufacturer's recommendations for application and cure times.
3. Apply double sided tape to the backside of the overlay grill. Use the diagram below for reference. U-Line recommends 3M™ VHB™ tape, a high strength bonding tape.

Apply Tape To Shaded Area

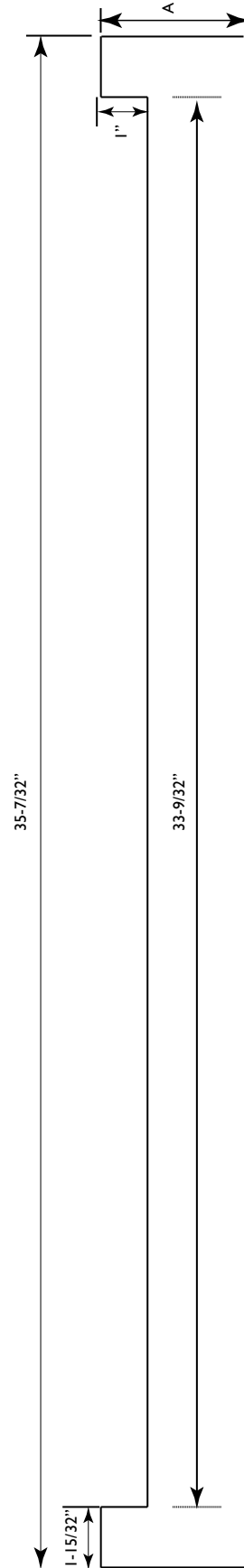


4. Remove backing paper from double sided tape.
5. Carefully align grille over overlay and press into position.

Overlay Grille Dimensions



3018 Models



3036 Models

Dimension A may vary from a minimum of 3-1/4" to a maximum 4-1/4" depending on toe kick height.
Measure toe kick height and cut overlay to same dimension.

9 3000 Series Anti-Tip Bracket

Anti-Tip Brackets Installation.

WARNING

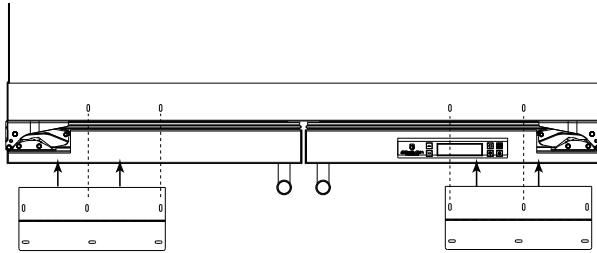
The Anti-tip bracket must be installed to prevent the unit from tipping when doors are fully opened, or excess weight is placed on the front of the unit.

The Anti-tip brackets have multiple mounting options. Mounting will depend on your particular cabinet configuration. Follow the instructions below to secure your unit to your cabinet. Locate your two Anti-tip brackets and 10 #8 x 5/8" screws included with your unit.

3036 Top Mount

Top mount configurations work well with fully secured wood or laminate counter tops.

1. Align the brackets on top of your unit as shown below. Both brackets must be used to ensure a secure mount.



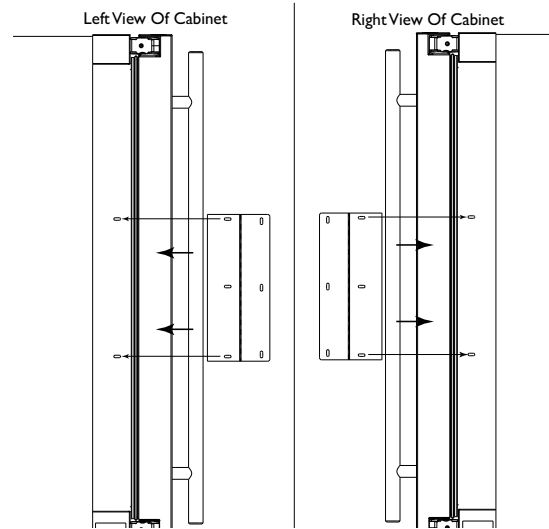
2. Using 4 of the supplied 10 #8 5/8" screws, install 2 screws into each plate using a #2 Phillips head screwdriver.
3. Completely slide the unit into its position in the opening. Be certain unit height is properly adjusted. (See Leveling Information on pg. 12)
4. Open both doors completely. Make certain doors clear surrounding cabinetry.
5. Using a 3/32" drill bit, drill 6 pilot holes, 3 for each bracket, 5/8" deep into bottom of counter top. Use the Anti-tip brackets as a template.

The 6 remaining cabinet side mounting screws will be installed later in this guide.

3036 Side Mount

Side mount configurations work well if you have a granite counter top or do not wish to mount the brackets to the underside of your counter top.

1. Align each bracket to the side mounting holes on your model as shown below.



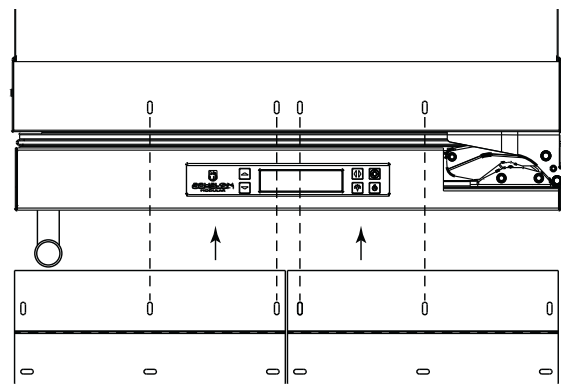
2. Using 4 of the supplied 10 #8 5/8" screws, install 2 screws into each Anti-tip bracket, mounting the bracket to your unit.
3. Completely slide the unit into its position in the opening. Be certain unit height is properly adjusted. (See Leveling Information on pg. 12)
4. Open both doors completely to gain access to the Anti-tip bracket. Make certain doors clear surrounding cabinetry.
5. Using a 3/32" drill bit, drill 6 pilot holes, 3 for each bracket, 5/8" deep into cabinetry frame using the anti-tip bracket as a template.

The 6 remaining cabinet side mounting screws will be installed later in this guide.

3018 Top Mount

Top mount configurations work well with fully secured wood or laminate counter tops.

1. Align the brackets on top of your unit as shown below. Both brackets must be used to ensure a secure mount.



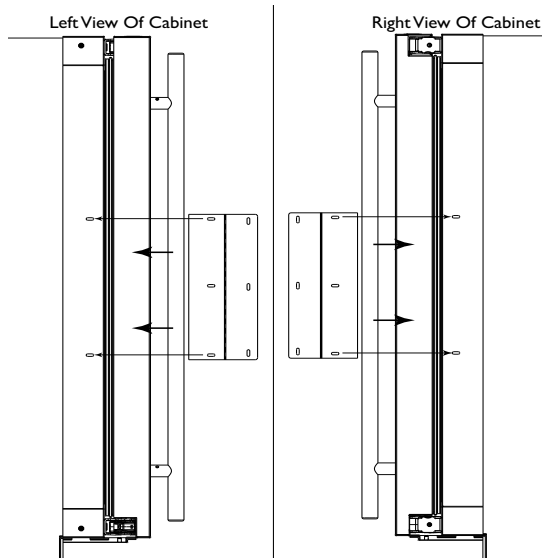
2. Using 4 of the supplied 10 #8 5/8" screws, install 2 screws into each plate using a #2 Phillips head screwdriver.
3. Completely slide the unit into its position in the cabinet. Be certain unit height is properly adjusted. (See Leveling Information on pg. 12)
4. Open both doors completely. Make certain doors clear surrounding cabinetry.
5. Using a 3/32" drill bit, drill 6 pilot holes, 3 for each bracket, 5/8" deep into bottom of counter top. Use the Anti-tip brackets as a template.

The 6 remaining cabinet side mounting screws will be installed later in this guide.

3018 Side Mount

Side mount configurations work well if you have a granite counter top or do not wish to mount the brackets to the underside of your counter top.

1. Align each bracket to the side mounting holes on your model as shown below.



2. Using 4 of the supplied 10 #8 5/8" screws, install 2 screws into each Anti-tip bracket, mounting the bracket to your unit.
3. Completely slide the unit into its position in the opening. Be certain unit height is properly adjusted. (See Leveling Information on pg. 12)
4. Open both doors completely to gain access to the Anti-tip bracket. Make certain doors clear surrounding cabinetry.
5. Using a 3/32" drill bit, drill 6 pilot holes, 3 for each bracket, 5/8" deep into cabinetry frame using the anti-tip bracket as a template.

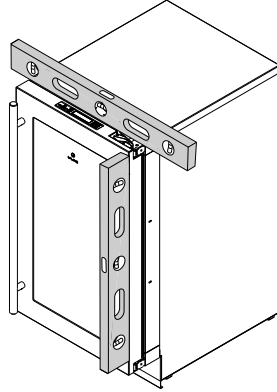
The 6 remaining cabinet side mounting screws will be installed later in this guide.

10 Level & Install

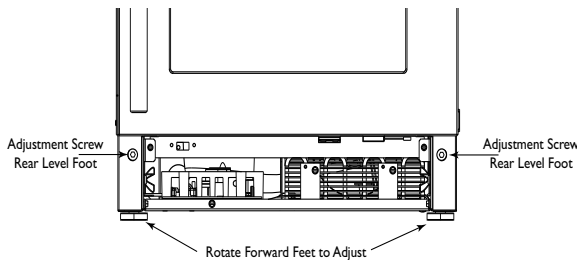
Leveling Information

It is recommended that the unit is level once installed.

1. Use a level to check the levelness of the unit from front to back and from side to side. Level should be placed along top edge and side edge as shown



2. If the unit is not level, remove grille and adjust feet as necessary. Use included tool to adjust the height of the rear leveler feet.
3. Check the levelness after each adjustment and repeat the previous steps until the unit is level. Turn screw clockwise to raise the rear foot, counter-clockwise to lower.



INSTALLATION TIP

If the room floor is higher than the floor in the cut-out opening, adjust the rear feet to achieve a total unit rear height of 1/8" less than the opening's rear height. Shorten the unit height in the front by adjusting the front feet. This allows the unit to be gently tipped into the opening. Readjust the front feet to level the unit after it is correctly positioned in the opening.

Installation

1. Plug in the powercord.
2. Gently push the unit into position. Be careful to not entangle the electrical cord.
3. Re-check the leveling, from front to back and side to side. Make any necessary adjustments. The unit's top surface should be approximately 1/8" below the countertop.
4. Install the 6 cabinet mounting screws for the Anti-tip bracket.
5. Remove the tape from the glass shelves and wipe out the inside of the unit with a clean, water-dampened cloth.

Relocating the Shelves

The glass shelves can be moved to accommodate your bottles, cans and containers.

Glass Shelves

- Open door fully, grasp shelf firmly, lift front edge slightly, and pull straight out.
- Remove shelf tabs and reposition as necessary
- Reinsert shelf into cabinet and set down onto shelf tabs.
- All four shelf tabs must be set to the same height to properly support the weight of the shelf.

Installation Troubleshooting

Q: Problem

The door remains open unless it is pushed closed.

A: Solution

The hinges should be self-closing when the door is open approximately 8". If this is not the case, make sure nothing is caught in the hinge closing mechanism. Also, re-check leveling from front to back of the unit and readjust if necessary. Make sure that pivot plate is installed correctly.

Q: Problem

The custom overlay door was designed to align with the rest of the cabinet doors, but the unit has crept forward.

A: Solution

Make sure that the electrical cord is not obstructing the installation.

SERVICE INFORMATION

If you have a problem with this appliance, your use and care guide has troubleshooting information to help you quickly identify common problems and provide information on possible cause and remedy. Answers to Customers Frequently Asked Questions are available at www.u-line.com/customer/faq.cfm. You may contact U-Line directly:

GENERAL INQUIRIES:

U-Line Corporation
P.O. Box 245040
Milwaukee, Wisconsin 53224-9540 U.S.A.
Phone (414) 354-0300
FAX (414) 354-7905
Email: sales@u-line.com
www.u-line.com

SERVICE ASSISTANCE:

Phone (800) 779-2547
FAX (414) 354-5696
Email: onlineservice@u-line.com
www.u-lineservice.com

PARTS ASSISTANCE:

E-mail: onlineparts@u-line.com

ABOUT U-LINE

Building on 45 years, U-Line has captivated those with an appreciation for the finer things with exceptional design, inspired innovations and attention to even the smallest details.

U-Line is synonymous with premium built-in undercounter ice making, refrigeration and wine storage appliances, the U-Line Corporation is committed to luxury under the counter. U-Line is known and respected for unwavering dedication to product innovation, quality and selection. A bold and broad line of models is the product of visionaries in the pursuit of distinctive living environments in the kitchen and spaces beyond.

In 1962, Henry Uihlein founded U-Line Corporation as an outgrowth of Ben-Hur Freezer Company and was the first to develop and patent an automatic stand-alone undercounter residential ice maker. His foresight and determination to develop new ideas and to succeed when there were no clear guidelines or solutions are evident today. The Milwaukee, Wisconsin based family operated business provides continuity and vision from which innovations continue to be born.

Going forward, U-Line will continue offering best-in-class products that build on the company's numerous patents and world firsts to guide the undercounter industry in realizing its unlimited potential.