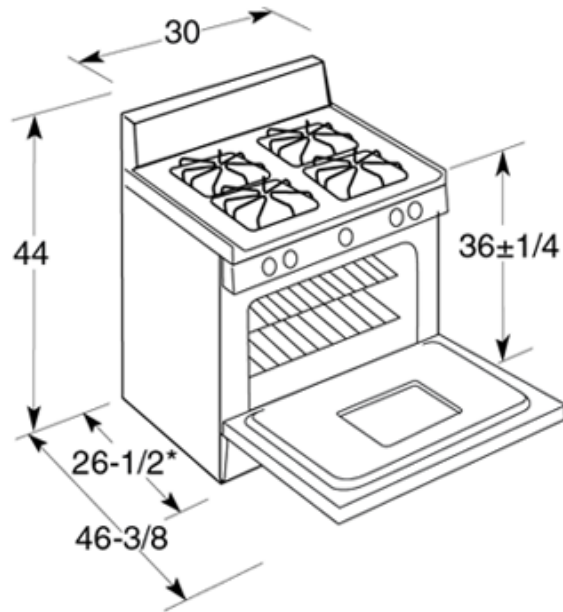


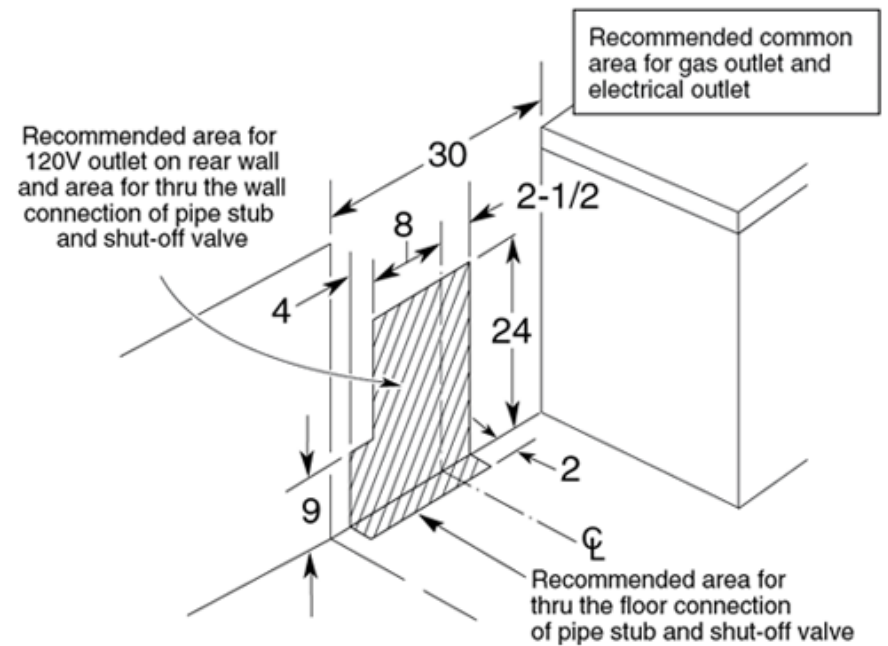
HOTPOINT®

RGB790SERSA – Hotpoint 30" Free-Standing Gas Range

Dimensions (in inches)



30" Gas Range Installation Information (in inches)



Specification Created 5/11

430170

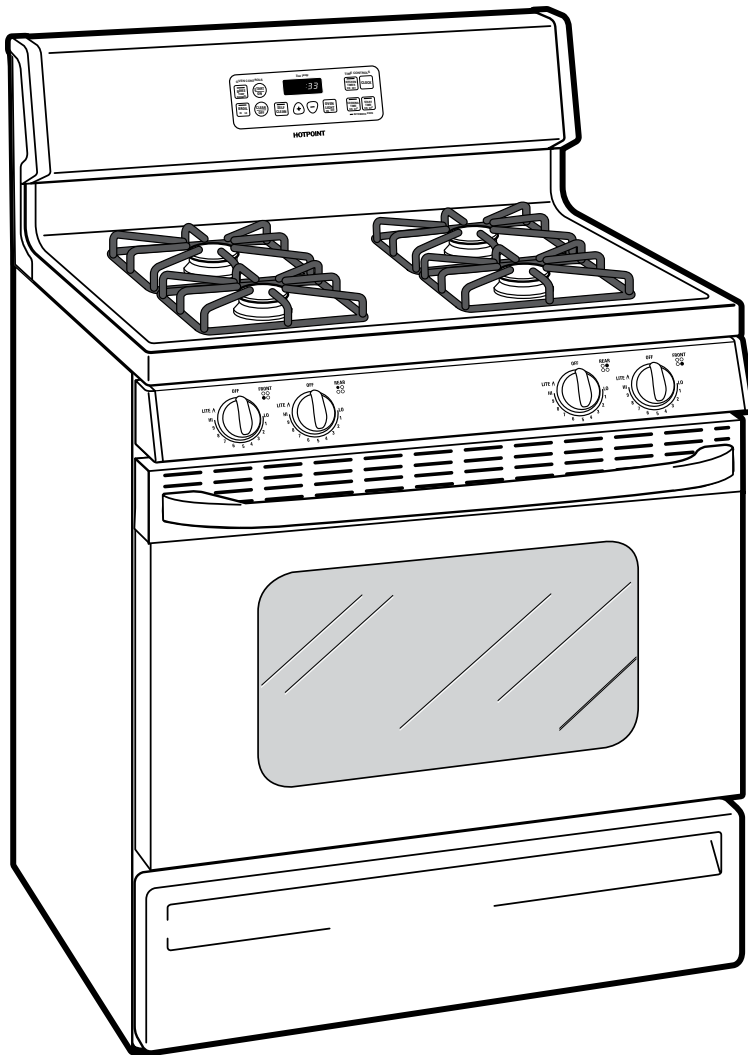


All Hotpoint ranges are equipped with an Anti-Tip device. The installation of this device is an important, required step in the installation of the range.



HOTPOINT®

RGB790SERSA – Hotpoint 30" Free-Standing Gas Range



Features and Benefits

- Self-clean oven - Self-clean allows you to spare yourself from the trouble and effort it takes to scrub the oven interior
- Extra-large oven capacity - Enough room to cook an entire meal at once
- Sealed cooktop burners - Burner elements are sealed to the cooktop to keep foods and liquid contained on the cooktop, making cleaning painless
- Performance plus burner - This 13,000 BTU burner element provides the high heat ideal for frying or sautéing and fast heat-up
- Simmer setting - Simmer setting allows for low, even heat distribution for delicate foods and sauces
- All purpose burners - All-purpose burner delivers two levels of BTU output to accommodate virtually all your cooking needs
- Two oven racks - Includes two oven racks that are sturdy and reliable
- Porcelain upswept cooktop - Raised edges and porcelain-enameled surface makes cleaning incredibly easy
- Model RGB790SERSA

Specification Created 5/11

430170