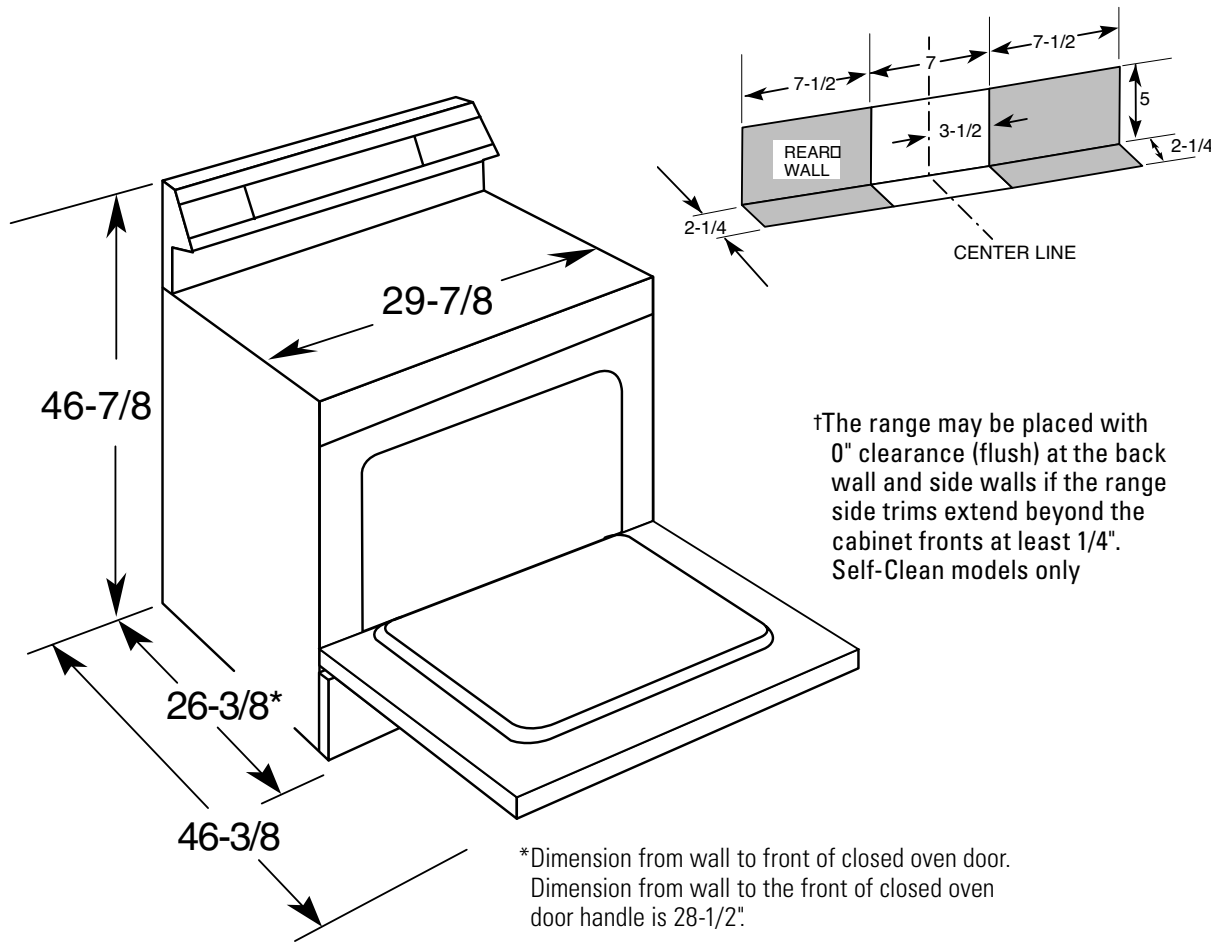


# HOTPOINT®

## RB792DR– Hotpoint 30" Free-Standing Electric Range

Dimensions (in inches)



Amp Rating	
240V	10.5
208V	7.9
Breaker Size	
40 Amps†	

†Note: Check local codes for required breaker size.

Effective January 1, 1996, the National Electrical Code requires that new construction (not existing) utilize a 4-conductor connection to an electric range.

**Note:** 30" Electric Ranges conform to U.L. requirements for 0" spacing from walls below countertops. Allow 1-1/2" spacing from the side of the range to adjacent vertical walls above the cooktop surface.

**Receptacle Locations:** Locally approved flexible service cord or conduit must be used because terminals are not accessible after range installation. See shaded area in drawing for location of electrical outlet box. Recommended outlet locations allow range to be installed directly against rear wall.

**Installation Information:** Before installing, consult installation instructions packed with product for current dimensional data.



All Hotpoint ranges are equipped with an Anti-Tip device. The installation of this device is an important, required step in the installation of the range.



Listed by Underwriters Laboratories

Specification Revised 1/11

420417

# HOTPOINT®

## RB792DR– Hotpoint 30" Free-Standing Electric Range



### Features and Benefits

- Self-Clean Oven - Conveniently cleans the oven cavity without the need for scrubbing
- Ceramic Glass Cooktop - A smooth cooktop surface makes cleaning quick and easy
- 6"/9" Dual Elements (2) – Choose a 6" or 9" heating element to accommodate the size of your pan
- Fifth Element Warming Zone - Simplify meals by keeping foods fresh from the oven warm and ready to serve
- Super-Large Oven Capacity - Provides an impressively large oven interior for cooking more dishes and large meals at one time
- Electronic Oven Controls - One-touch electronic pads are easy-to-use and allow for simple oven operation
- Hidden Bake Oven Interior - Conceals the lower oven bake element to eliminate hard-to-reach areas that collect food and spills for easy cleaning
- Hot Surface Indicator Lights - Cooktop lights let you know when the surface is hot
- Model RB792DRWW – White on white