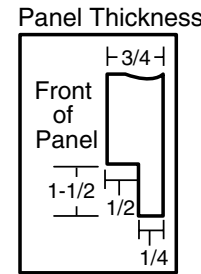
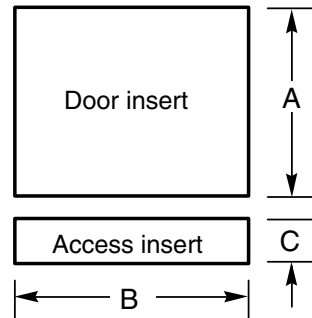
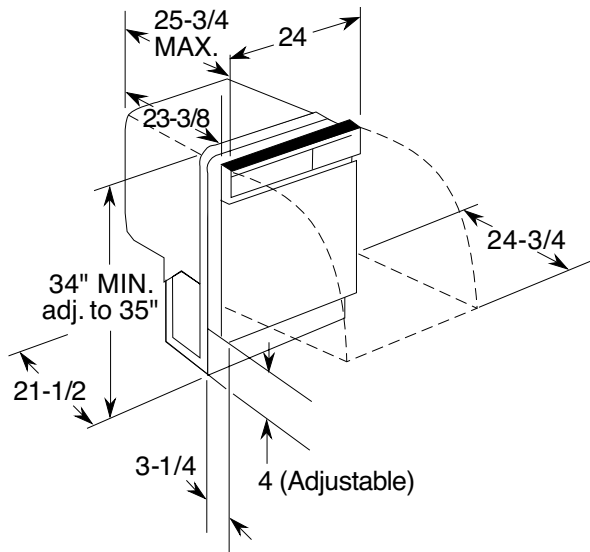


# HOTPOINT®

## HDA3600/3640V – Hotpoint Built-In Dishwasher

### Dishwasher Dimensions (in inches)

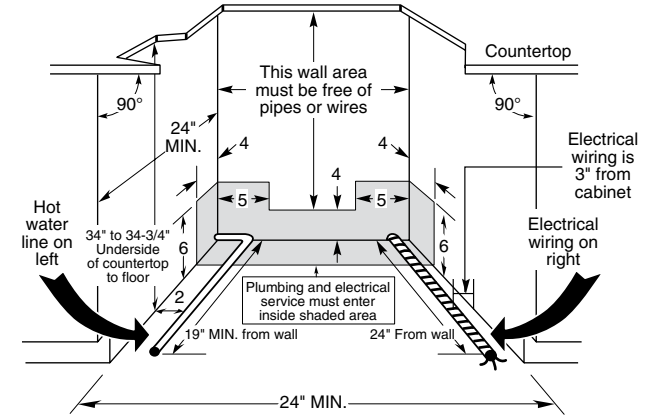


When using GPF325  
1/4" custom dishwasher  
door and access panel kit.

When using GPF375  
3/4" custom dishwasher  
door and access panel kit.

Kit	A	B	C	Panel Thickness
GPF325	18-7/8"	23-9/16"	3-11/16"	1/4"
GPF375	18-15/16"	23-5/8"	4-1/4" to 3-3/4"	3/4"

\* Bottom of panel must be notched 1-1/2" x 1/2" to clear across panel  
 \*\* Adjustment required to match adjacent cabinet fronts due to leveling leg adjustment, 4" nominal



**Note:** Dishwasher must not be installed more than 10 feet from sink for proper drainage. All plumbing and electrical work must be in accordance with local codes. Dishwasher includes drain hose and leveling legs.

**Installation Information:** Before installing, consult installation instructions packed with product for current dimensional data.

### Electrical Rating

Voltage AC.....	120
Hertz.....	60
Total connected load amperage.....	8.6
Calrod® heater watts max.....	500

For use on adequately wired 120-volt, 15-amp circuit having 2-wire service with a separate ground wire. This appliance must be grounded for safe operation.



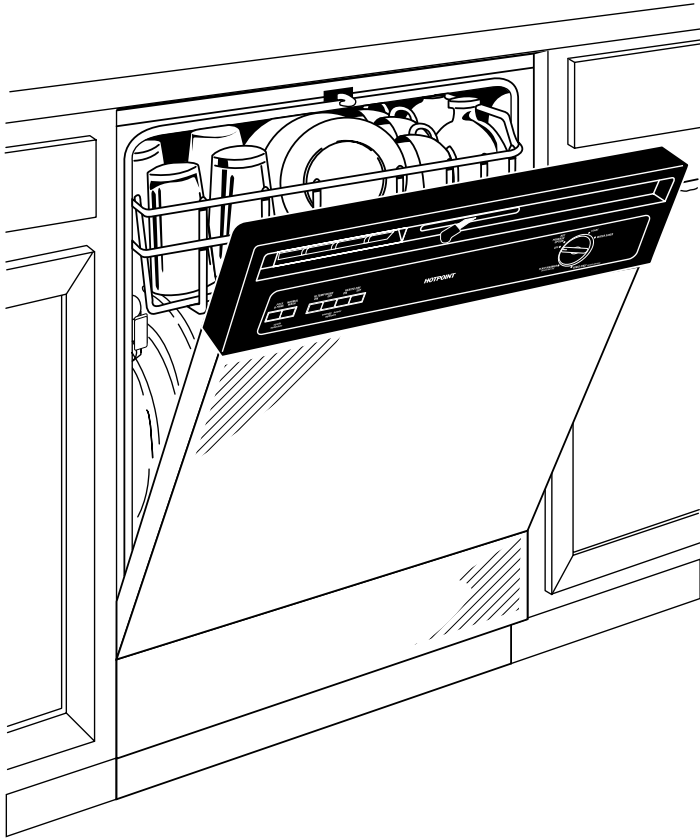
As an ENERGY STAR® partner, GE has determined that this product meets the ENERGY STAR guidelines for energy efficiency.



Listed by Underwriters Laboratories

# HOTPOINT®

## HDA3600/3640V – Hotpoint Built-In Dishwasher



### Features and Benefits

- 5-level PowerScrub™ wash system with upper spray arm - Powerful wash cleans dishes thoroughly with 2 precision wash arms
- Two-stage filtration with ExtraFine™ filter - Extra filtration keeps water clean
- Piranha™ hard food disposer - Grinds food into small particles that are washed away
- Hot PreWash option - Higher temperatures during the prewash cycle provide an outstanding clean
- 61 dBA - motor runs quietly to keep kitchen peaceful
- Insulation blanket - Adds improved sound performance
- Water saver cycle - Great for quickly washing loads of everyday dishes or a quick load of glasses
- Pots and Pans cycle - Removes difficult soils from cookware
- ENERGY STAR® Qualified - Meets or exceeds 2011 federal guidelines for energy efficiency for year-round energy and money savings
- 5 cycles/3 options - Allows you to select the combination that best cleans your dishes
- Up to 12-place setting capacity racking - Provides flexibility to wash a variety of dishes at once
- Model HDA3600VWW – White on white
- Model HDA3600VBB – Black on black
- Model HDA3600VCC – Bisque on bisque
- Model HDA3640VSA – Silver metallic