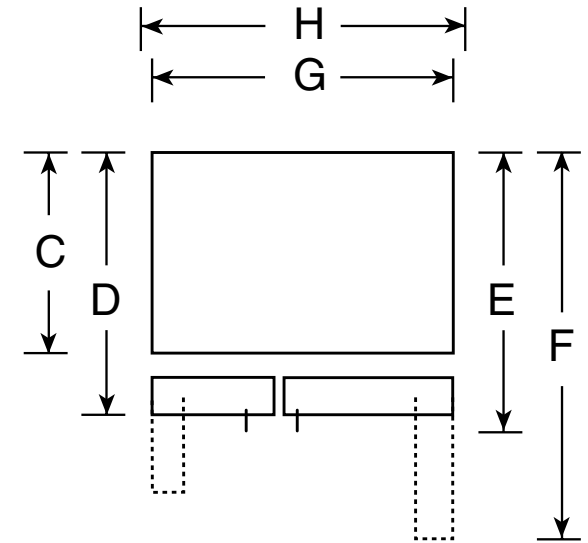
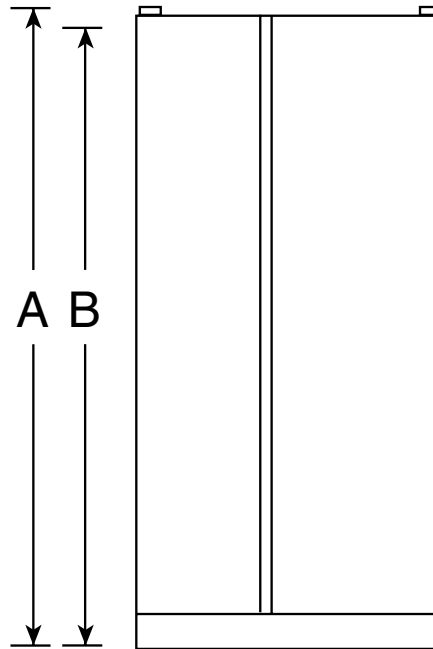


GSHS6NGB

GE® ENERGY STAR® 25.9 Cu. Ft. Side-By-Side Refrigerator

Dimensions and Installation Information (in inches)

Overall Dimensions	Height to top of hinge (in.) A	69-1/2
	Height to top of case (in.) B	68-3/4
	Case depth without door (in.) C†	28
	Case depth less door handle (in.) D†	32-1/2
	Case depth with door handle (in.) E†	35
	Depth with fresh food door open 90° (in.) F†	50-1/8
	Width (in.) G	35-3/4
	Width with door open 90° inc. door handle (in.) H	43-5/8
Air Clearances	Each side (in.)	1/8
	Top (in.)	1
	Back (in.)	1/8



†Water hook-up fits in back air clearance when calculating installation depth.

If installed against a wall, allow clearance of 14-3/16" on freezer side to remove bin.

Clearance required to remove fresh food full-size pan without disassembling is 18-15/16".

Allow additional space for any necessary leveling adjustments.

For answers to your Monogram,® GE Profile™ or GE® appliance questions, visit our website at ge.com or call GE Answer Center® service, 800.626.2000.



imagination at work



Listed by
Underwriters
Laboratories



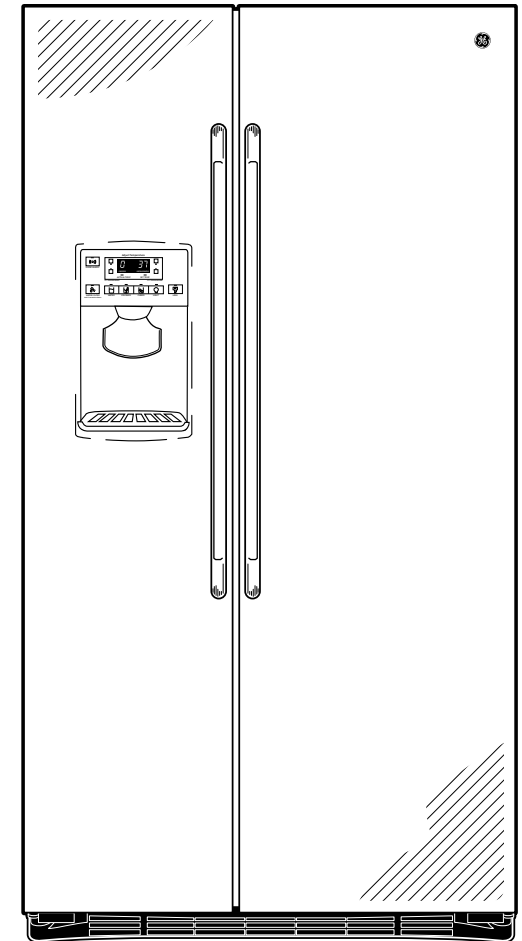
As an ENERGY STAR® partner, GE has determined that this product meets the ENERGY STAR guidelines for energy efficiency.

GSHS6NGB

GE® ENERGY STAR® 25.9 Cu. Ft. Side-By-Side Refrigerator

Features and Benefits

- Stainless steel exterior with hidden hinges - Stainless steel adds elegance to any kitchen
- ClimateKeeper™ system - Electronic controls, multiple electronic sensors and a multi-flow air system help provide even cooling
- Integrated dispenser with UltraFlow64 - See the exact temperature and dispense 64 ounces of filtered water per minute
- Angled ALL LED lighting in fresh food and freezer - Brightly illuminates every inch of the fresh food and freezer compartments
- Freshness Center™ (2-stack drawer system) - Maintain fresh tastes with two humidity-controlled crisper drawers
- Adjustable ClearLook™ door bins - Store gallon containers with ease in the door and free up valuable shelf space
- QuickSpace™ shelf - Tall containers area snap with a quick slide of the retractable shelf
- Arctica® icemaker - A special access door puts ice within reach
- Adjustable, slide-out spillproof glass shelves - Adjustable shelves are designed to make clean up quick and easy
- GE water filtration - six month filter - Removing impurities means fresh-tasting water for your family
- FrostGuard™ technology - Controlled defrosting keeps frozen foods from feeling the burn
- AutoEnergy saver - Senses door openings and adjusts refrigeration operation cycles accordingly
- Deluxe quiet design - Significantly reduces unnecessary operating noise in the kitchen
- Model GSHS6NGB - Stainless Steel



imagination at work



As an ENERGY STAR® partner, GE has determined that this product meets the ENERGY STAR guidelines for energy efficiency.