

# CP350STSS

## GE Café 30" Built-In CleanDesign™ Electric Cooktop

### Dimensions and Installation Information (in inches)

KW Rating	
240V	8.5
208V	6.4
Breaker Size	
240V	40 Amps†
208V	40 Amps†

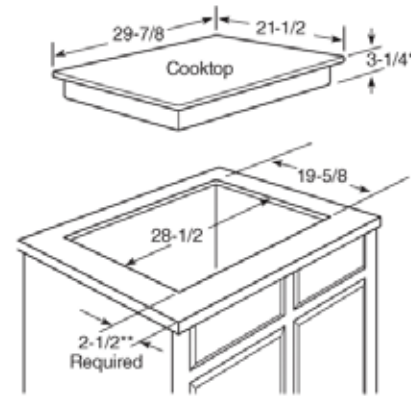
†**Note:** Check local codes for required breaker size

**Important:** Requires a 5" free area between the bottom of the cooktop to any combustible material, i.e., shelving. Free area not required when installing wall oven underneath cooktop. Refer to installation instructions. Requires a 15" minimum from cooktop to adjacent overhead cabinets. Units are furnished with a 48" flexible armored cable.

**Note:** 36" Ribbon cooktops are approved for use over GE 30" Single Wall Ovens and Warming Drawers only. Refer to cooktop and wall oven/warming drawer installation instructions packed with product for current dimensional data. If installed with a GE Profile™ Telescopic Downdraft System, consult both the cooktop and downdraft installation instructions packed with product before installing. Cooktop gas/electric supply may need to be re-routed to install downdraft. The countertop must be at least 26" deep with a flat surface area of 23-1/2" or more, front to back. In addition, other clearances to the front edge of the countertop must be considered, especially on raised bullnose countertops. Consult cabinet and countertop manufacturer's specs for flush mount installation prior to install.

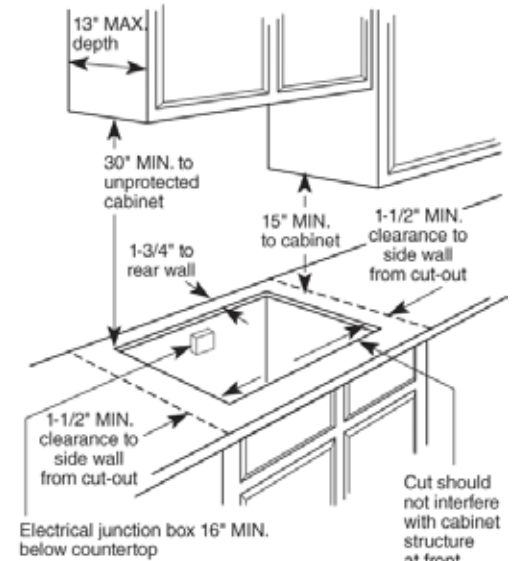
**Installation Information:** Before installing, consult installation instructions packed with product for current dimensional data.

For answers to your Monogram,® GE Profile™ or GE® appliance questions, visit our website at [geappliances.com](http://geappliances.com) or call GE Answer Center® service, 800.626.2000.



\*Depth of unit at conduit connection location (rear) is 6-1/4" on models 945 and 4-5/8" on models PHP900, CP350, PP944/932/912 and JP356.

\*\*Raised bull nose countertops may require up to 3/8" additional clearance to prevent interference with curved front.



# CP350STSS

## GE Café 30" Built-In CleanDesign™ Electric Cooktop

### Features and Benefits

- Ceramic glass cooktop - A smooth cooktop surface makes cleaning quick and easy
- 6"/9" PowerBoil™ element - Accommodates various-size pots or pans and 3,000 watts of power speeds the boiling process
- 5"/8" Dual element - To heating elements in one allows you to choose either a 5" or 8" element for your cookware
- Fifth element cook and warming zone - Provides low-heat capability for foods on the cooktop
- Heavy-duty knobs - Add durability and brushed chrome for enhanced style and performance
- Stainless steel frame - Brings an added touch of style to any decor and perfectly complements all other stainless steel appliances in the kitchen
- Model CP350STSS - Stainless steel

