

# CT918ST

## GE Café™ 30" Built-In Single Convection Wall Oven

### Dimensions and Installation Information (in inches)

KW Rating	
240V	3.8
208V	2.8
Breaker Size	
240V	20 Amps
208V	20 Amps

Most 30" Wall Cabinets can be used with this unit.

**Note: These ovens are not approved for stackable installations.** Cabinets installed adjacent to wall ovens must have an adhesion spec of at least a 194°F temperature rating.

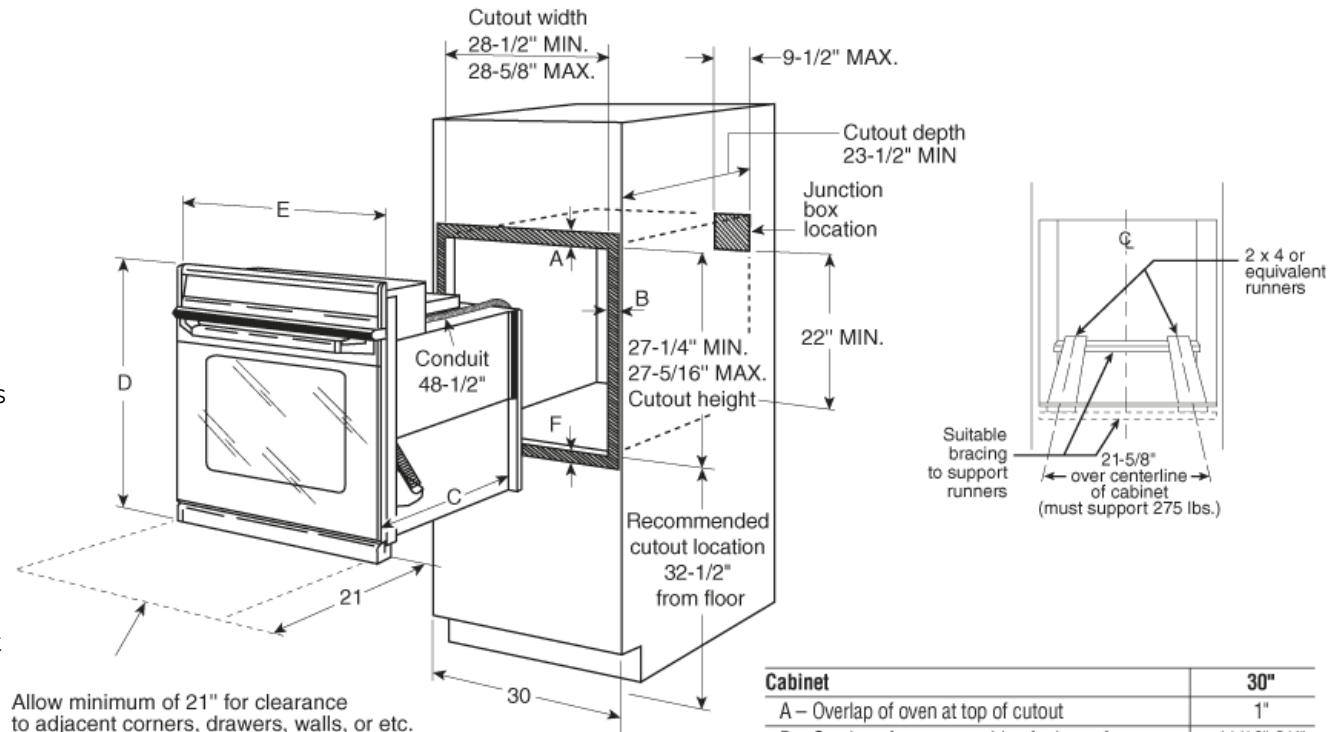
Door handle protrudes 3" from door face. Cabinets and drawers on adjacent 45° and 90° walls should be placed to avoid interference with the handle.

**Electric wall ovens are not approved for installation with a plug and receptacle. They must be hard wired in accordance with installation instructions.**

**Installation Information:** Before installing, consult installation instructions packed with product for current dimensional data.

Side-by-side installations require at least 2" between cutouts.

For answers to your Monogram,® GE Profile™ or GE® appliance questions, visit our website at [geappliances.com](http://geappliances.com) or call GE Answer Center® service, 800.626.2000.



Cabinet	30"
A – Overlap of oven at top of cutout	1"
B – Overlap of oven over side of edges of cutout	11/16"-3/4"
Oven	
C – Overall depth with handle	27"
D – Overall height with trim	28-1/2"
Overall height without trim	27-15/16"
E – Overall width	29-11/16"
F – Overlap of oven at bottom of cutout	1-1/4"

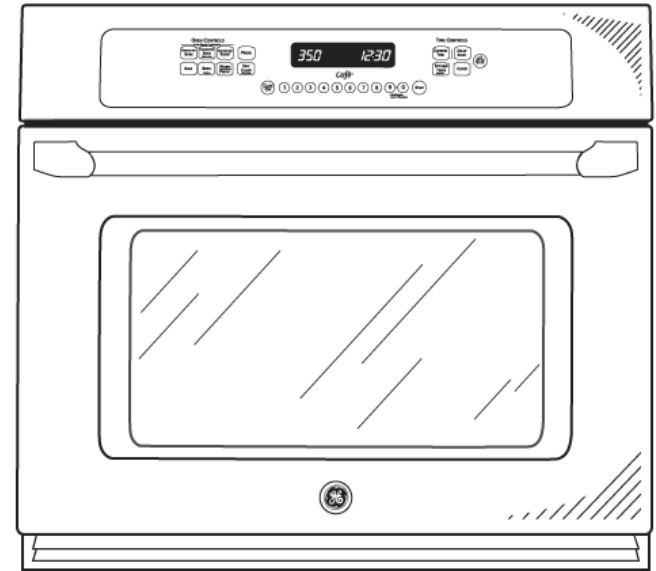


# CT918ST

## GE Café™ 30" Built-In Single Convection Wall Oven

### Features and Benefits

- Glass touch controls - Smooth controls are easy to use and add a sophisticated style to the kitchen
- PreciseAir™ convection system - A reversing fan circulates heat and air for evenly browned and baked foods
- Convection Bake - This setting is optimal for baking casseroles or lasagnas, yeast breads, pies and pizzas with no need to turn the pan
- Convection Roast - Optimal for larger cuts of meat, this setting rotates the heat around all sides, sealing in the juices, producing rotisserie results at up to 25% faster than a conventional oven
- Heavy-duty roller racks - Racks provide easy access to items inside the oven by simplifying loading and unloading
- Hidden bake oven interior - Conceals the lower oven element to eliminate hard-to-reach areas that collect food
- Black gloss oven interior - Black oven interior adds a stylish touch to any kitchen
- Model CT918STSS – Stainless steel



imagination at work