



# Instant Hot Water Dispensers

## Model UW/UWL

Point-of-use water heater & faucet in one

## Ultra System



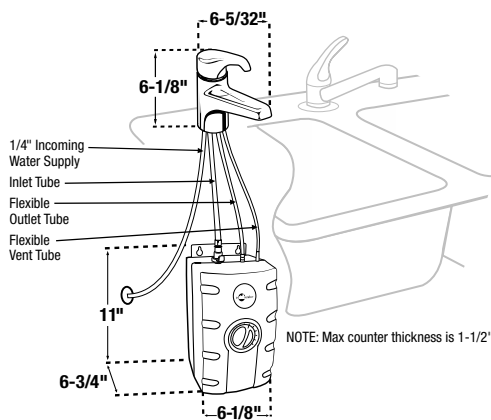
### Submittal Sheet

- Faucet blends near-boiling water from tank and cold water from supply to provide 110°F water for hand washing and general clean-up.
- Requires only cold water supply line to provide both cool and warm water
- Easy-action lever with ceramic disc valve
- Easy-to-adjust temperature control
- Tool-free tank connections and dry start protection to ease installation
- 1-Year We Come To You™ In-Home Service Warranty\*
- UW 120 volts, 1300 watts, 10.8 amps  
UWL 120 volts, 750 watts, 6.25 amps
- Available in chrome

### Specifications

	UW	UWL
Capacity	10.8 gal/hour	6.25 gal/hour
	2/3 gallon stainless steel tank	
Electrical	120 volts A.C., 1300 watts, 10.8 amp heating element with grounded three (3) prong plug	120 volts A.C., 750 watts, 6.25 amp heating element with grounded three (3) prong plug
Inlet/Outlet Water Temp	Approximately 60°F/110°F	
Tank Thermostat	Snap-action, adjustable from 160°F to 200°F (factory pre-set at 200°F)	
Insulation	Meets U.L. 94HF-1 flammability specification	
Valve	Ceramic Disc	
Shipping Weight	Approximately 10.9 lbs.	
Required Sink Hole Diameter	1-1/4" - 1-1/2" standard sink hole	

### Dimensions



### Sample Specification

Point-of-use hot water dispenser shall be InSinkErator UltraSystem model UW or UWL, with 2/3-gallon stainless steel tank and 110° water capacity of 10.8 gallons per hour (UW) or 6.25 gallons per hour (UWL).

#### Warranty:

1-year parts and in-home service.

\* The complete InSinkErator warranty is included in the Care & Use booklet packed with each unit.

US Pat. D532,497 (tank enclosure)

### Job Specifications



1-800-558-5700  
www.insinkerator.com



**EMERSON**  
Appliance Solutions

The Emerson logo is a trademark and service mark of Emerson Electric Co.  
InSinkErator is a division of Emerson Electric Co.