

RD-16WR1HL(BCD-125WA/H(E)) PART LIST (115V/60HZ R134a)

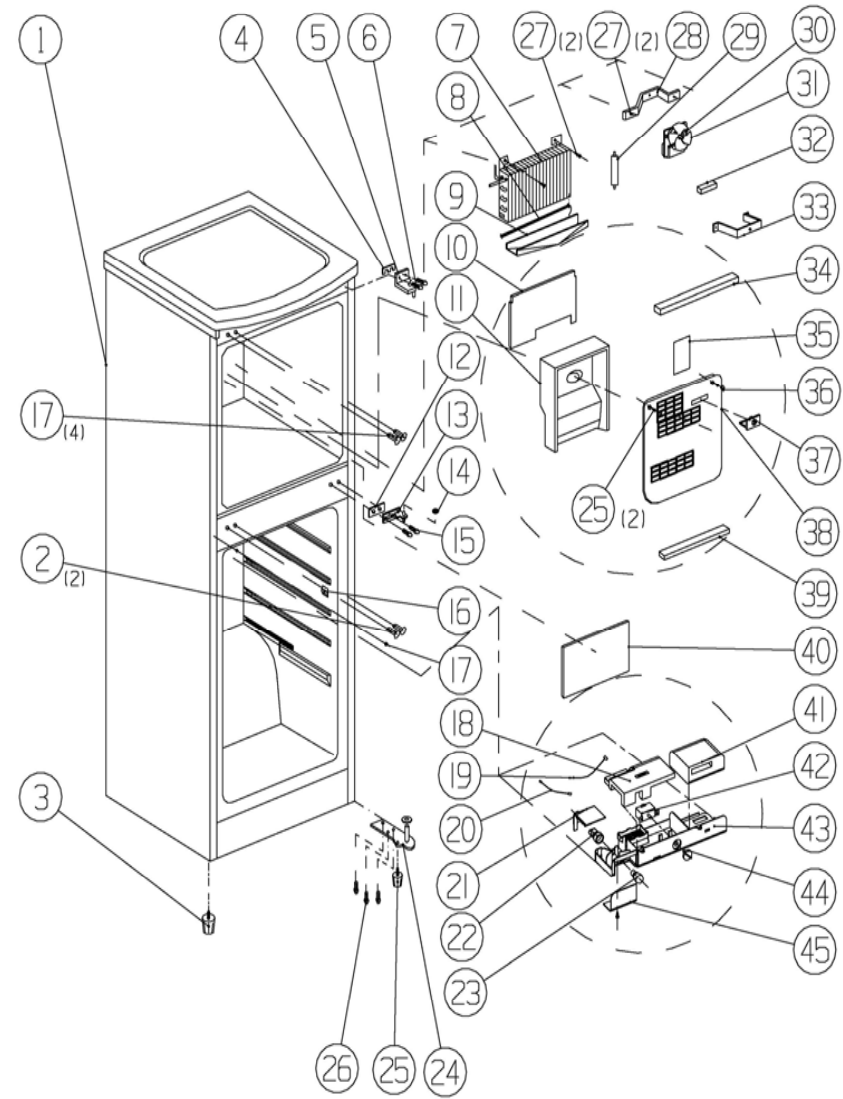
No	Part name	Part No	new price(USD)	Quantity	Remark
1	Cabinet	9100101011		1	BCD125W/H(E).08-00
2	Mid-hinge cover	2109230	0.1	2	BCD168W.00-12
3	Forepaw parts	9110400098	0.3	1	TB00.04A-00
4	Upper hinge axle base	9170400211	0.1	1	BCD125W/H(E).00-03
5	Light upper hinge	9120400563	0.8	1	BCD125W/H(E).00.02-00
6	Screw groupware M4x10	1701152	0.1	2	GB9074.4-88
7	Evaporator	9130100591	11.7	1	BCD125W/H(E).02-00
8	Electric heater	1054633	7.1	1	B03090001
9	Water trough assembly	1100117	1.9	1	B04130015
10	Reflecting aluminum foil	9260100210	0.3	1	BCD125W/H(E).04-04
11	Wind channel foam of freezer chamber	9101200380	0.6	1	BCD125W/H(E).04-02
12	Hinge axle base	1107448	0.1	2	BCD168W.00-15
13	Mid-hinge	1204293	2.4	1	BCD168W/H(E3).00-03
14	Adjust washer	1107245	0.1	1	BCD268.00-01
15	Flange screw M5x30	1701164	0.1	2	BDG36-14
16	Lamp switch	1410106	0.9	1	HC-050K.4(GN-0.5)
17	Screw cover	17011	0.1	5	T00-16
18	Controller foam	1064919	0.2	1	B09060060
19	Thermostat wire	1078494	4.1	1	B03170067
20	Lamp wire	1078487	0.7	1	B03170062
21	Cover	1112943	1.8	1	B05210160
22	Lamp holder	1050090	1.1	1	B03210006
23	Bulb	1050070	0.6	1	B03230001
24	Lower hinge	1204294	1.7	1	BCD168W/H(E3).00.04-00
25	Low Forepaw	11044	0.3	1	BCD165F.00.04-00
26	Flange screw M5x16	1701183	0.1	3	BDG36-20
27	Screw nail	170170	0.1	10	GB845-85
28	Bracket A	9110200314	0.5	1	BCD510W/H(E).00.06-01
29	Temperature fuse unit	1050219	2.2	1	B03350002
30	Fan motor	1050235	10.4	1	B03080001
31	Fan vane	14023	0.4	1	BCD210W.04-16
32	Thermostat	1055839	3.8	1	B03360003
33	Bracket B	9110200315	0.4	1	BCD510W/H(E).00.06-02
34	Sponge glue strip D	1603440	0.1	1	BCD168W.04-08
35	Reversible glue	2502139	0.1	3	双面胶0.02x30
36	Screw cover	1701134	0.1	2	BCD200W.04-10
37	Temperature adjustable guiding block	9110900446	0.7	1	BCD108W/H(E).04-01
38	Wind channel pear plate for freezer chamber	9101200379	2.7	1	BCD125W/H(E).04-01
39	Sponge glue strip B	9160300588	0.1	1	BCD125W/H(E).04-03
40	Reflecting aluminum foil	9260100218	0.3	1	BCD125W/H(E).08-05
41	Wind channel of refrigerator	13031015	0.6	1	BCD168W.07.01-00
42	Temperature control	9140700231	3.6	1	WPF1K-089-100
43	Control panel in refrigerator chamber	1064890	0.9	1	B05100033
44	Temperature controller knob	141067	0.1	1	BCD168W.07-02

RD-16WR1HL(BCD-125WA/H(E)) PART LIST (115V/60HZ R134a)

No	Part name	Part No	new price(USD)	Quantity	Remark
45	Lamp cover	2107110	0.3	1	BCD168W.07-03
46	Trade mark	1901765-K43	0.6	1	装饰铭牌K43
47	Upper door	9100502486	15.8	1	BCD125WA/H(E).03-00
48	Door stopper	120512	0.1	2	BCD210WA.03-01
49	Left door stopper	120515	0.1	2	BCD168W/H(E3).03-06
50	Axis hole sheath	120286-61	0.1	1	BCD168W/H(E3).06-08
51	Glass shelves parts in refrigerator chamber	9210501561	3.7	2	BCD125W/H(E).00.01-00
52	Vegetable drawer cover parts	9210200757	1.8	1	BCD125W/H(E).00.05-00
53	Vegetable drawer	210125	4.9	1	BCD168W.00-04
54	Lower door	9100502487	21.8	1	BCD125WA/H(E).06-00
55	Screw nail	170117	0.1	4	GB845-85-C-H
56	Upper door gasket	9160100383	1.8	1	BCD125W/H(E).03.01-00
57	Shelf for upper door	110347	0.3	1	BCD168/HC.03-06
58	Can shelf	9210501823	1.2	3	BC125/H(E).03-03
59	Square Shelf for lower door	9110300492	0.1	1	BCD125WA/H(E).06-02
60	Adjustable Shelf for lower door	9110300493	0.7	1	BCD125WA/H(E).06-03
61	Lower door gasket	1601150	2.7	1	BCD138W/H(E).06.01-00
62	Timer	1069088	7.3	1	B03340001
63	Junction box	1068317	2.6	1	B05080056
64	Junction box cover	1052182	0.5	1	B05080052
65	Drain water pipe cover	21093	4.4	1	BCD210W.00-16
66	Screw nail	170180	0.1	2	T00-22
67	Water disposal box	210668	2.8	1	T00-12(A)
68	Three squares put power cable	9150500201	3.6	1	TB00.02A-00(A)-WH
69	Screw bolt M6 x 16	170261	0.1	4	BDG36-03
70	Plastic self-lock bandage	9170700082	0.1	1	
71	Compressor base	1108158	9.3	1	BCD168W/H(E1).00.03-00
72	Screw nut M5	17037	0.1	2	GB6170-86
73	Bolt	1099102	0.1	2	GB/T818-2000
74	Spring Washer	1099127	0.1	2	GB/T862.1-87
75	Nut	1099101	0.1	2	GB/T6170-2000
76	Compressor grounding wire	1054598	0.2	1	B04170003
77	Compressor connecting wire	1055619	0.5	1	B03170004
78	Process tube	1303831	1.0	1	T00-07(A)
79	Screw bolt M6 x 30	17023	0.1	4	GB5783-86
80	Compressor		77.1	1	R134a专用
81	Round-pad 6	17044	0.1	4	GB93-87
82	Round-pad 6	17042	0.1	4	GB96-85
83	Screw nut M6	170355	0.1	4	GB6175-86
84	Connecting tube	1303833	2.3	1	T00-21(E)
85	Fixed base	15027	0.1	3	CE2
86	Screw nail	17013	0.1	2	GB845-85
87	Drier filter	13067	1.9	1	BDG27-04
88	Electrical diagram	1902817	0.1	1	YS02

图号	B01700025
页码	共3页 第1页
版次	A

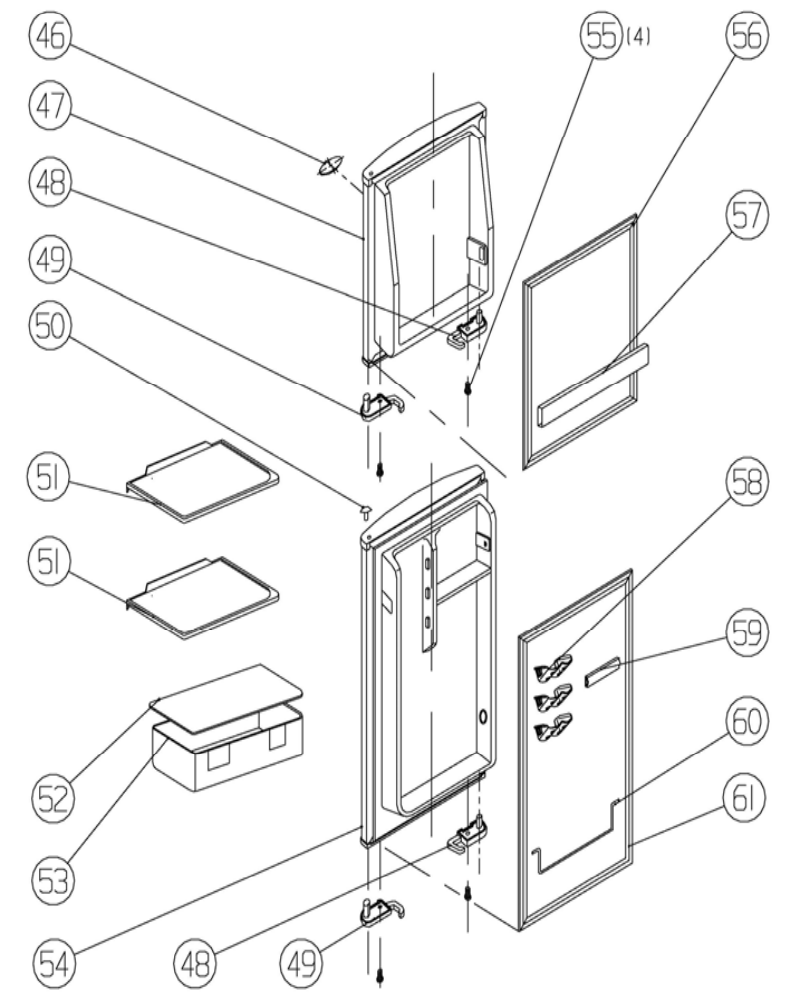
BCD-125WA/H(E) Exploded view(115V/60hz)



编制：金庭万 审核： 批准： 出图审查： 日期： 2008-07-25

图号	B01700025
页码	共3页 第2页
版次	A

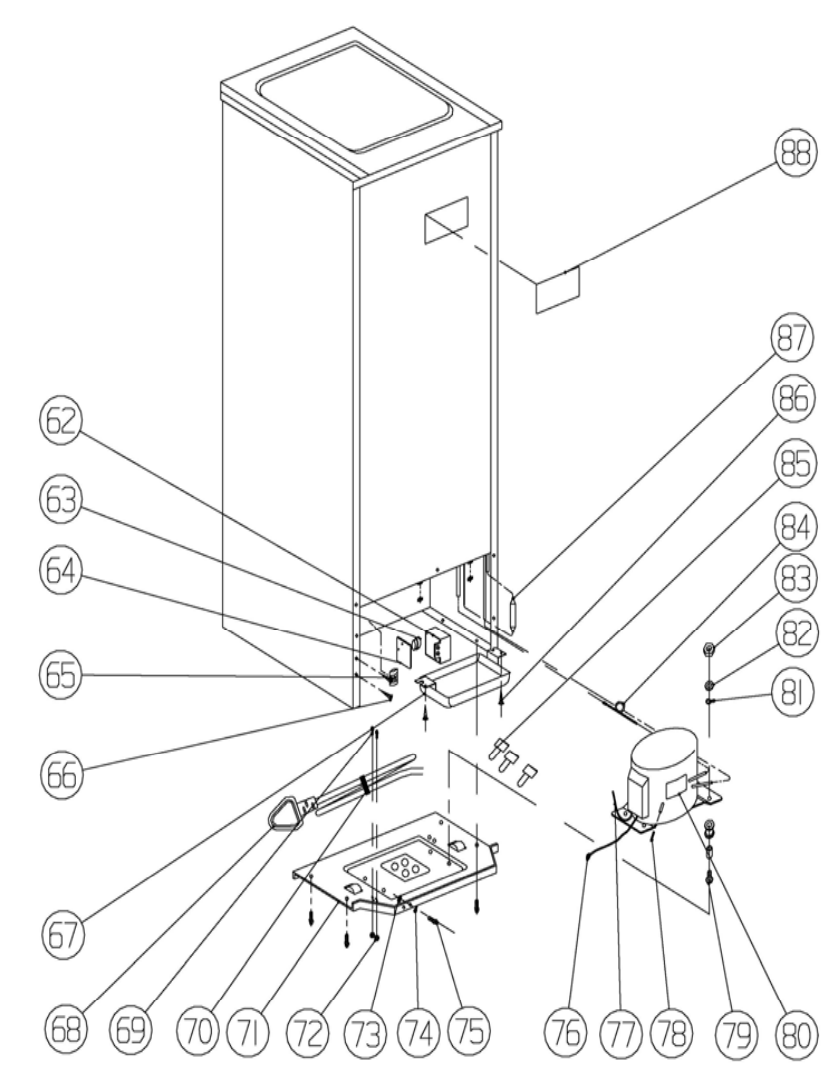
BCD-125WA/H(E) Exploded view(115V/60hz)



编制：金庭万 审核： 批准： 出图审查： 日期： 2008-07-25

图号	B01700025
页码	共3页 第3页
版次	A

BCD-125WA/H(E) Exploded view(115V/60hz)



编制：金庭万 审核： 批准： 出图审查： 日期： 2008-07-25