



**Models covered by these instructions:
Pro Line, Pyramid Classic & WMPLDF**

Ventilation Hoods Use & Care Manual

Intended for Domestic Cooking Only

READ AND SAVE THESE INSTRUCTIONS

Installer: Leave this manual with homeowner.

Homeowner: Use and Care information inside.

*Prestige America Ltd.
25 Riverside Dr. Suite 4
Pine Brook, NJ 07058*

– Table of Contents –

Important Safety Instructions	1
Handling Precautions	2
Important Ventilation Information Before You Begin.....	3
Cleaning and Maintenance	3
Packing List for your Vent Hood	
a) Pro Line Hoods.....	4
b) Pyramid Classic Hoods	4-6
c) Pro Line Duct Free Hoods	5
Planning your Location	
a) Pro Line Hoods.....	5-7
b) Pyramid Classic Hoods	6-7
c) Pro Line Duct Free Hoods	6-7
Installation Guide	
a) Pro Line Hoods.....	7-8
b) Pyramid Classic Hoods	8
c) Pro Line Duct Free Hoods	8
Wiring Diagram.....	9
Installing the Optional Wall Hood Duct Cover (PL & DF Models Only).....	9
Installing the Wall Hood Duct Cover (Flue) (PC Models Only)	10
Instructions for Connection of Wall Switch Kit (UIBWSK)	11
Warranty Information	11

*Prestige Products Division
Signature Marketing Group Ltd.
25 Riverside Drive Suite 4
Pine Brook, NJ 07058
800.358.8886*

All specifications are subject to change without prior notification

-Important Safety Instructions-

PRESTIGE HOODS ARE FOR RESIDENTIAL USE ONLY!

CAUTION: FOR GENERAL VENTILATION USE ONLY. DO NOT USE TO EXHAUST HAZARDOUS OR EXPLOSIVE MATERIALS OR VAPORS.

1. Use this unit only in the manner intended by the manufacturer. (If you have questions, contact that manufacturer at 800.358.8886.)
2. Before servicing or cleaning this unit, switch power off at service panel and lock the panel to prevent power from being switched on accident. When the service panel cannot be locked, securely fasten a prominent warning device, such as a tag, to the service panel.

WARNING - TO REDUCE THE RISK OF RANGE TOP GREASE FIRE, PLEASE OBSERVE THE FOLLOWING:

1. Never leave surface units unattended at high settings, boil-overs can cause smoking and may ignite. Heat oils slowly on low heat.
2. Always turn hood ON 5 minutes before cooking to begin air flow.
3. Clean ventilation filters frequently. **DO NOT ALLOW GREASE TO ACCUMULATE ON FAN OR FILTER.**
4. Use proper pan size. Always use cookware appropriate for the size of the surface element.

WARNING - IN THE EVENT OF RANGE TOP GREASE FIRE, OBSERVE THE FOLLOWING:

1. Smother the flames with a close fitting lid, cooking sheet or other metal tray, then turn off the burner. **BE CAREFUL TO PREVENT BURNS.** If the flames do not go out immediately, **EVACUATE AND CALL THE FIRE DEPARTMENT.**
2. **NEVER PICK UP A FLAMING PAN.**
3. **MAKE SURE YOUR VENTILATION SYSTEM IS COMPLETELY TURNED OFF. DO NOT TURN HOOD ON TO TRY AND EVACUATE SMOKE.**
4. **DO NOT USE WATER,** including wet dishcloths or towels - a violent steam explosion may result.
5. Use an extinguisher only if:
 - a. You know you have a class ABC extinguisher and you already know how to operate it.
 - b. The fire is small and contained in the area where it started.
 - c. The fire department is being called.
 - d. You can fight the fire with your back to an exit.

- Handling Precautions -

1. Remove all rings, watches, belt buckles, jewelry and any clothing with metal buttons or snaps to prevent damage to hood.
2. **DO NOT REMOVE HOOD FROM ITS ORIGINAL CARTON UNTIL YOU ARE READY TO INSTALL IT.**
3. When you are ready to begin the installation process, remove the hood from its carton and place it on a clean soft blanket.
4. Inspect the hood carefully for any damage or imperfections before you begin to install the hood. If any damage or imperfections exist, re-carton the hood and call your dealer IMMEDIATELY, do not install a damaged hood.
5. It is highly recommended that rubber gloves be used to prevent scratches on the hood and to provide you with a firm grip.
6. When removing the hood from the carton locate the filters. The filters are packed separately.

DO NOT DISCARD THE PACKAGING WITHOUT FIRST LOCATING THE FILTERS!

Important Ventilation Information Before You Begin

- WMPLDF Models require no ducting and CANNOT be converted for ducting. All WMPLDF hoods have a variable speed blower switch. All WMPLDF hoods have a light dimmer switch.
- PL model hoods can be ducted to the top or the rear. Check product guide for additional transitions, wall caps and roof caps.
- Duct size for IBPL600 (600 CFM) is 6" round and an optional transition model TRC8/6 should be used to increase the duct size to 8" round for optimal performance.
- PL3624, PL4224 and PL4824 require the use of transition model TR6x15/10 (NOT INCLUDED) when using the IBPL1200 (1200 CFM) blower.
- All PL hoods have a variable speed blower switch. All PL hoods have a light dimmer switch. See Blower Installation Manual for further information on your installation application.
- PC model hoods can be ducted to the rear with the use of a 90 degree elbow. (NOT SUPPLIED) Check product guide for additional transitions, wall caps and roof caps.
- PC 3024 hood CANNOT accept the IBPC1200 internal blower.
- PC3624 & PC4224 hood's duct size is 10" round when using the IBPC1200 internal blower.

(STARTER COLLAR SUPPLIED)

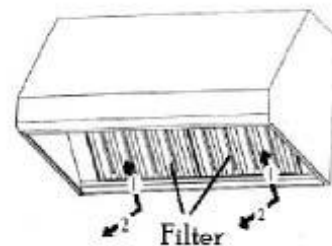
Important Ventilation Information Before You Begin (continued)

- Duct size for IBPC600 (600 CFM) is 6" round and an optional transition model TRC8/6 should be used to increase the duct size to 8" round for optimal performance.
- PC4824 require the use of transition model TR6x15/10 (NOT INCLUDED) when using the IBPC1200 (1200 CFM) blower.
- All PC and PL hoods can be converted for ductless applications. See product guide for optional ductless conversion kits.
- All PC and PL hoods have a variable speed blower switch. All PC hoods have a light dimmer switch.

NOTE TO INSTALLER: Make sure blowers are free from obstructions (packing and debris). Test run blowers before finalizing installation. Check with manufacturer before attempting to use other than Prestige blower systems. (800.358.8886 for technical information)

Cleaning and Maintenance

Your hood will not function properly if not cleaned regularly and maintained properly. Clean the filters regularly (at least twice a month or every 24 hours of use) by soaking them in soapy water and rinsing them in the dishwasher at the normal cycle. When the filters are removed, the accessible interior of the hood can be cleaned from grease, using again only soap and water. Burned out halogen light bulbs are exchanged in the same way as normal light bulbs. Make sure to replace them with the same type and wattage. (Replacement bulbs are Par 16, 60 watt, halogen 115 volt.) Make it a habit to turn on the hood on low speed even when you are boiling water only. The cleaning of the outside of the hood depends on the material used as a decorative exterior. For stainless steel and powder coated metals, clean with soap and water only. Do not use abrasive or aggressive chemicals! Check the outside end of the duct at least once a year. Make sure that the back draft damper hinges are free of grease and move easily. If you have an insect screen installed in the duct cover, make sure that it is not broken or dislocated. Filters are dishwasher safe or you may hand wash with warm soapy water.



Cleaning and Maintenance

Cleaning your charcoal filter on your WMPLDF Hood (If your hood is not ductless, this does not apply)

Place filter on a cookie sheet and bake clean in oven at 250 degrees for 10 minutes. Wipe down with soapy cloth and replace in hood. Replacement filters are available through your retailer. **DO NOT PUT YOUR CHARCOAL FILTERS IN THE DISHWASHER!**

**INSPECT ALL MOLDED PACKING FOR PARTS BEFORE DISCARDING.
ANY DAMAGE MUST BE REPORTED BEFORE INSTALLING THE HOOD.
ONCE THE
HOOD HAS BEEN INSTALLED, NO RETURN WILL BE ACCEPTED.**

Packing List for Pro Line hood series

PL36240, PL42240, PL36270 & PL42270 - 36" & 42" ducted, 24" and 27" depth

No blower (Sold and Packaged Separately)
Four (4) Stainless Steel Baffle Filters
Two (2) Pre-Installed Lights
Lid for Electrical Box
Use and Care Manual with Wiring Diagram
Solarod bulbs on (PL36270 & PL42270) packed in separate box INSIDE hood box.

PL48240 & PL48270 - 48" Ducted, 24" and 27" Depth

No blower (Sold and Packaged Separately)
Four (4) Stainless Steel Baffle Filters
Three (3) Pre-Installed Lights
Lid for Electrical Box
Use and Care Manual with Wiring Diagram
Solarod bulbs on (PL48270) packed in separate box INSIDE hood box.

Packing List for Pyramid Classic hood series

PC30240, PC36240 & PC42240 - 30", 36" & 42" Ducted

No Blower (Sold and Packaged Separately)
Four (4) Stainless Steel Baffle Filters
Two (2) Pre-Installed Lights
Lid for Electrical bulbs
Manual with Wiring Diagram
Duct Cover packed in separate box (Box 2 of 2).

PC48240 - 48" Ducted

No Blower (Sold and Packaged Separately)
Four (4) Stainless Steel Baffle Filters
Three (3) Pre-Installed Lights
Transition Required and Sold Separately
Duct Cover packed in separate box (Box 2 of 2).

PC60240 - 60" Ducted

No Blower (Sold and Packaged Separately)
Six (6) Stainless Steel Baffle Filters
Three (3) Pre-Installed Lights
Transition Required and Sold Separately
Duct Cover packed in separate box (Box 2 of 2)

Packing List for Duct Free hood series

WMPLDF24241 & WMPLDF30241

Blower Pre-Installed in unit
 Four (4) Stainless Steel Baffle Filters
 Two (2) Pre-Installed Lights
 Lid for Electrical bulbs
 Charcoal Filters (Packed in separate box inside hood carton)
 Manual with Wiring Diagram

*** For 36" and 42" Duct Free units, you must purchase a PL hood of desired size and a corresponding Duct Free Kit (PLDFK36 or PLDFK42) to make the unit fully ductless.***

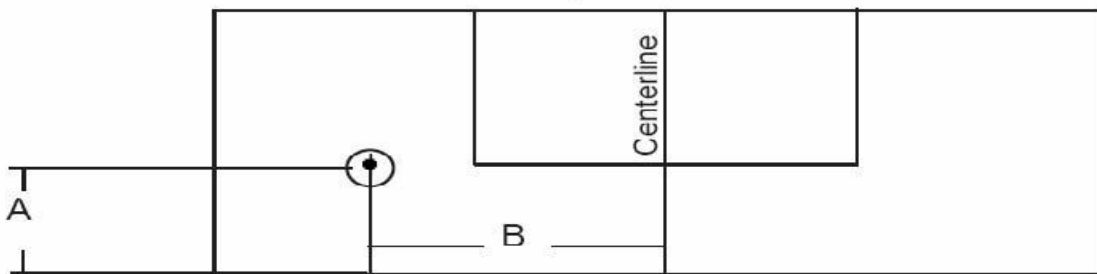
Planning your location for your Pro Line Hood

Select the proper height to mount the hood. Take into consideration the stature of the person or persons who will be cooking. A height of 30" to 36" above the cooking surface will suit most users. If mounted at a height greater than 36" above the cooking surface, the hood should be at least 6" wider than the cooking appliance to provide a proper capture of heat and grease. (Refer to the range manufacturer's guidelines) Once the proper height is established, draw a level line where the bottom of the hood will rest. If practical, mount a board equal to the width of the hood along the line so you may rest the hood on it while installing.

Mark a center line on the wall equal to the entire height of the hood to assist with the proper duct alignment and hood placement. Determine stud location and mark it clearly. If only one stud can be located, toggle bolts or additional fastening must be installed to firmly secure the hood to the wall. Install a 115 volt 15 amp electrical lead in the hole marked on the rough-in diagram. (Fig. A)

Example: Location for a 36" hood is 6" from the bottom, 9 1/2" from the centerline. Verify that the ducting is in the correct location for your application.

Figure A



A B

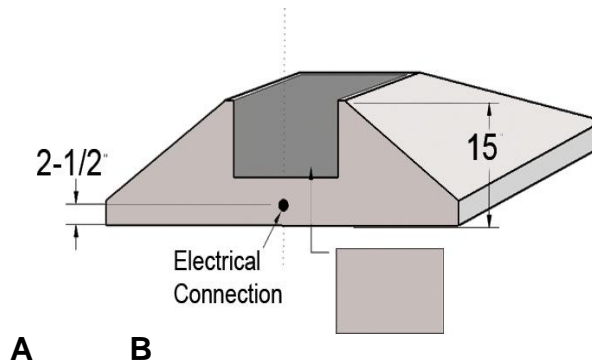
36"	6"	9 1/2"
42"	6"	11 1/2"
48"	6"	12 1/2"

Planning your location for your Pyramid Classic Hood

Select the proper height to mount the hood. Take into consideration the stature of the person or persons who will be cooking. A height of 30" to 36" above the cooking surface will suit most users. If mounted at a height greater than 36" above the cooking surface, the hood should be at least 6" wider than the cooking appliance to provide a proper capture of heat and grease. (Refer to the range manufacturer's guidelines) Once the proper height is established, draw a level line where the bottom of the hood will rest. If practical, mount a board equal to the width of the hood along the line so you may rest the hood on it while installing. Mark a center line on the wall equal to the entire height of the hood to assist with the proper duct alignment and hood placement. Determine the stud location and mark it clearly. If only one stud can be located, toggle the bolts or additional fastening must be installed to firmly secure the hood to the wall. Install the 115 volt 15 amp electrical lead in the hole marked on the rough-in diagram (Figure A).

Figure A.

Example: Location for a 36" hood is 6" from bottom 9 1/2" from centerline. Verify that the ducting is in the current location for your application.



30"	2 1/2"	15"
36"	6"	12 1/2"
42"	6"	12 1/2"
48"	6"	12 1/2"
60"	6"	15 1/2"

Planning your location for your Duct Free or Pro Line Hood

Select the proper height to mount the hood. Take into consideration the stature of the person or persons who will be cooking. A height of 30" to 36" above the cooking surface will suit most users. If mounted at a height greater than 36" above the cooking surface, the hood should be at least 6" wider than the cooking appliance to provide a proper capture of heat and grease. (Refer to the range manufacturer's guidelines) Once the proper height is established, draw a level line where the bottom of the hood will rest. If practical, mount a board equal to the width of the hood along the line so you may rest the hood on it while installing. Mark a center line on the wall equal to the entire height of the hood to assist with the proper duct alignment and hood placement. Determine the stud location and mark it clearly. If only one stud can be located, toggle the bolts or additional fastening must be installed to firmly secure the hood to the wall. Example: Location for a 36" hood is 6" from the bottom, 9 1/2" from the centerline. Verify that the ducting is in the correct location for your application. (Fig B.)

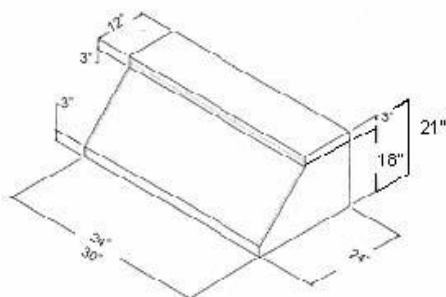


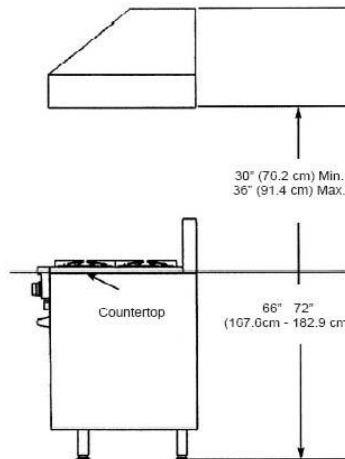
Figure B (Pro Line Hood)

Inlet location for the electrical connection is located near the rear center of hood 5" from hood bottom.
 Electrical Requirements: 15 amps at 120 volts
 Light bulbs are PAR16 - 60 watt halogen
 Bulbs are operated by a dimmer switch
 Blower is variable speed

Planning your height location for your Pro Line, Pyramid Classic, or Duct Free hood

The bottom of the hood should be 30" minimum to 36" maximum above the countertop. This would typically result in the bottom of the hood being 66" to 72" above the floor. The bottom of the hood should never be more than 72" above the floor or more than 36" above the countertop. These dimensions provide for safe and efficient operation of the hood. For duct free hoods, they should be a 28" minimum and a 32" maximum. This would typically result in the bottom of the hood being 64" to 68" above the floor.

WALL INSTALLATION



Installation Guide for your Pro Line hood

Installation of Internal Blower Kit (IBPL600, 600 cfm)

1. Remove shipping bracket from hood. DO NOT DISCARD SCREWS!
2. Install blower bracket with the screws removed from the shipping bracket.
3. Locate the terminal block inside the electrical supply box.
4. Connect Fan # 1 wire to terminal block #4.
5. Connect Fan # 1 wire to terminal block #6.
6. Connect the 115 volt supply wire to terminal block #2.
7. Connect the 115 volt supply wire to terminal block #1.

Installation of Internal Blower Kit (IBPL1200, 1200 cfm)

1. Remove shipping bracket from hood. DO NOT DISCARD SCREWS!

FOR FAN #1

2. Install blower bracket with the screws removed from the shipping bracket.
3. Locate the terminal block inside the electrical supply box.
4. Connect Fan # 1 wire to terminal block #4.
5. Connect Fan # 1 wire to terminal block #6.
6. Connect the 115 volt supply wire to terminal block #2.
7. Connect the 115 volt supply wire to terminal block #1.

FOR FAN #2

8. Connect Fan #2 wire to terminal block #3.
9. Connect Fan #2 wire to terminal block #5.

Installation of In-Line or Remote blower

1. Locate the terminal block inside the electrical supply box.
2. Connect Fan # 1 wire to terminal block #4.
3. Connect Fan # 1 wire to terminal block #6.
4. Connect the 115 volt supply wire to terminal block #2.
5. Connect the 115 volt supply wire to terminal block #1.

Installation Guide for your Pyramid Classic Hood

Installation of Internal Blower Kit (IBPC600, 600 cfm)

1. Remove shipping bracket from hood. DO NOT DISCARD SCREWS!
2. Install blower bracket with the screws removed from the shipping bracket.
3. Locate the terminal block inside the electrical supply box.
4. Connect Fan # 1 wire to terminal block #4.
5. Connect Fan # 1 wire to terminal block #6.
6. Connect the 115 volt supply wire to terminal block #2.
7. Connect the 115 volt supply wire to terminal block #1.

Installation of Internal Blower Kit (IBPC1200, 1200 cfm)

1. Remove shipping bracket from hood. DO NOT DISCARD SCREWS!
2. **36" Pyramid Classic Hood only**, remove the hood stiffener

FOR FAN #1

3. Install blower bracket with the screws removed from the shipping bracket.
4. Locate the terminal block inside the electrical supply box.
5. Connect Fan # 1 wire to terminal block #4.
6. Connect Fan # 1 wire to terminal block #6.
7. Connect the 115 volt supply wire to terminal block #2.
8. Connect the 115 volt supply wire to terminal block #1.

FOR FAN #2

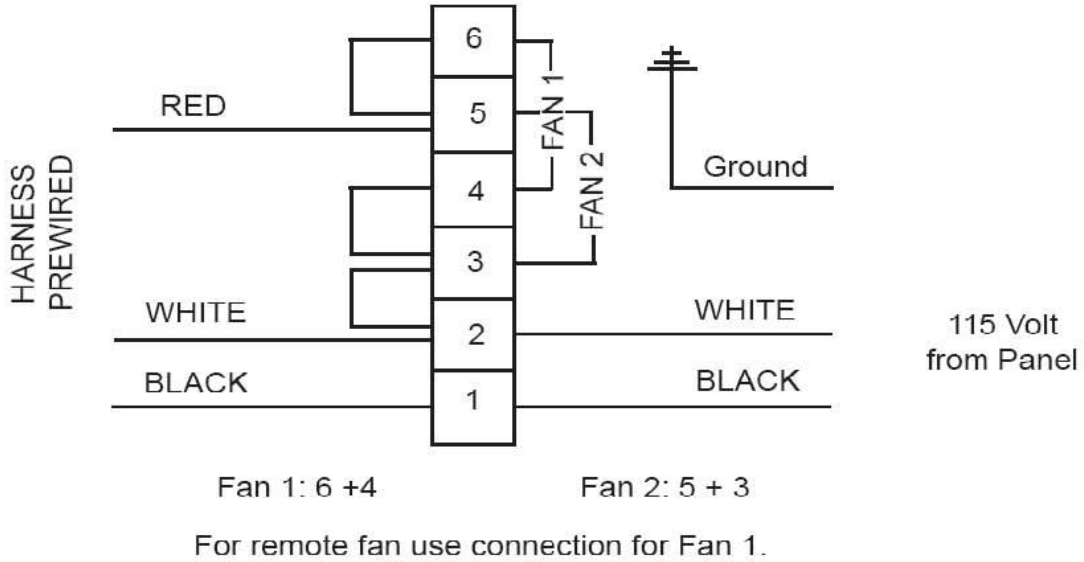
9. Connect Fan #2 wire to terminal block #3. 9.) Connect Fan #2 wire to terminal block #5.

Installation Guide for your Pro Line Duct Free hood

***All Prestige duct free hoods have a blower pre-installed. Installation includes wiring to the terminal block only.** 1.) Locate the terminal block inside the electrical supply box. 2.) Connect the 115 volt supply wire to the terminal block #2. 3.) Connect the 115 volt supply wire to the terminal block #1.

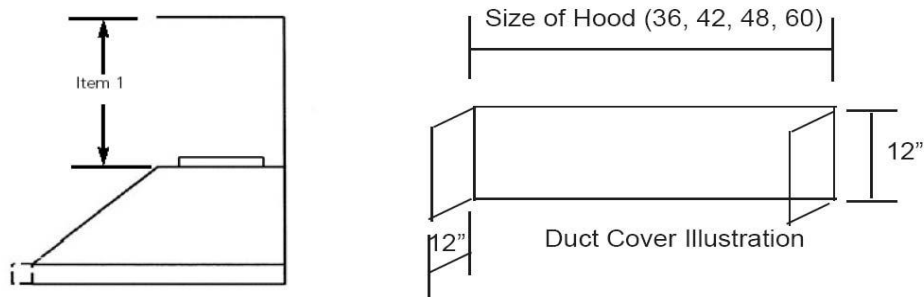
Wiring Diagrams for all Prestige Hoods

Connection to Terminal Block



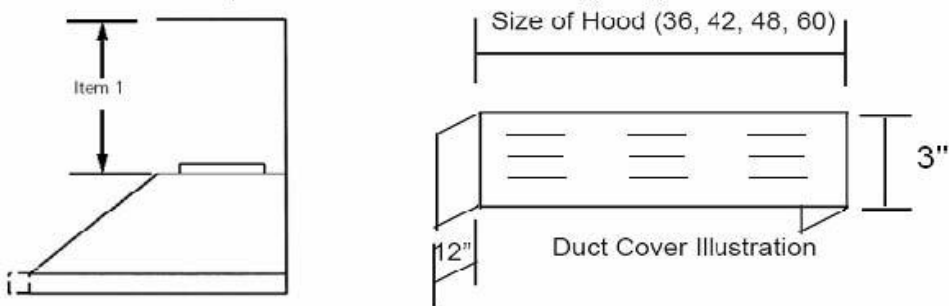
Installing the Optional Wall Hood Duct Cover (PL & DF Models Only) Pro Line Hood Duct Cover

** Slide the duct cover in place and fasten from inside canopy using sheet metal screws. **



Duct Free Hood Duct Cover

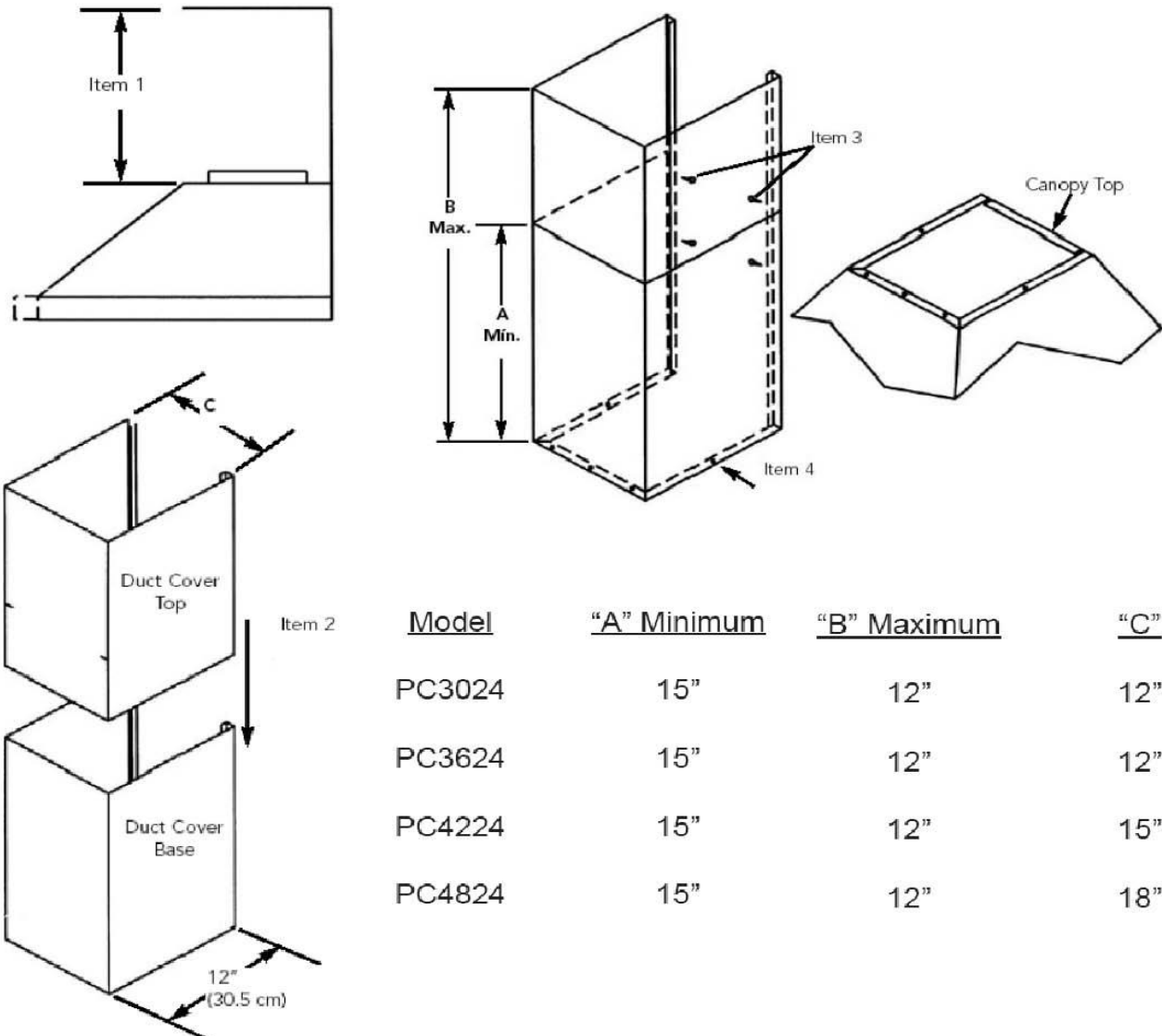
** Slide the duct cover in place and fasten from inside canopy using sheet metal screws. **



Installing the Wall Hood Duct Cover (Flue) (PC Models Only)

1. Measure from top of the canopy to ceiling and subtract 1/8" for clearance.
2. Place the duct cover top inside the duct cover base and lower until desired height is found. (To eliminate scratches, make a mark on the duct cover top for the desired lowering point by subtracting 15" from the total height needed.)
3. Use the retaining screws to fasten in place.
4. Slide the duct cover in place and fasten from inside canopy using the sheet metal screws provided.

NOTE: For installations with ceilings above 9', use optional custom flues. See product literature for details.



Instructions for connection of Wall Switch Kit (UIBWSK)

1. Disconnect wires from Fan and Light switches from the wiring harness supplied with your hood.
2. Connect Fan and Light wires from wiring harness to Fan and Light wires on Wall Switch Kit.
3. There will be 2 wires coming from the wall switch kit and 2 wires from the wiring harness for EACH switch.
4. Before hanging your hood and wall switch kit, be sure that the connections made are fully operational.

*** Be sure to have a licensed electrician make all connections to prevent from electric shock. By using a Wall Switch Kit you will render the on-board controls on your ventilation hood non-operational. ***

Warranty Information

Prestige will warranty all parts and related labor to replace them for a term of one (1) year. The one (1) year warranty period applies to the actual parts and NORMAL labor and excludes all other costs, removal and re-installation.

One year service repair warranty:

During the first year from date of original purchase, Prestige will, at its option, repair or replace, without charge, any product or part which is found to be defective under normal use and service

Who is Covered?

Prestige warrants to the ORIGINAL CONSUMER PURCHASER of its products that such products will be free from defects in materials and workmanship for a period of one (1) year from the original date of purchase. There are no other warranties, express or implied, including, but not limited to, implied warranties of merchantability or fitness for a particular purpose or application.

What is NOT Covered?

Items NOT covered in the warranty include: light bulbs, items fabricated to customer design, consequential damage, removal and re-installation, abnormal travel outside the service area, including but not limited to: remote area transport, ferries or excessive mileage. If any of these situations apply, the customer will be responsible for payment in full and said exclusion.

For any questions or concerns please contact the following:

***Prestige America Ltd.
25 Riverside Dr. Suite 4
Pine Brook, NJ 07058
800.358.8886***