



# Home Comfort

FRA122BU1

## Compact Air Conditioner



### Product Dimensions

Height	14-1/2"
Width	19"
Depth	19"

### More Easy-To-Use Features

#### Effortless™ Restart

Automatically resumes operating at its previous settings when power is restored to your unit.

#### Power Cord

Comes with an extra long three-prong cord — makes extension cords unnecessary.

#### SpaceWise® Adjustable Design Optional Side Panels

Extend so you can adjust your unit to fit your window.

Performance	BTUs
Cool	12,000

## Signature Features

### Effortless™ Clean Filter

Our antibacterial filter reduces bacteria, room odors and other airborne particles for a cool, comfortable environment.

### Multi-Speed Fan

Features three different fan speeds, for more cooling flexibility.

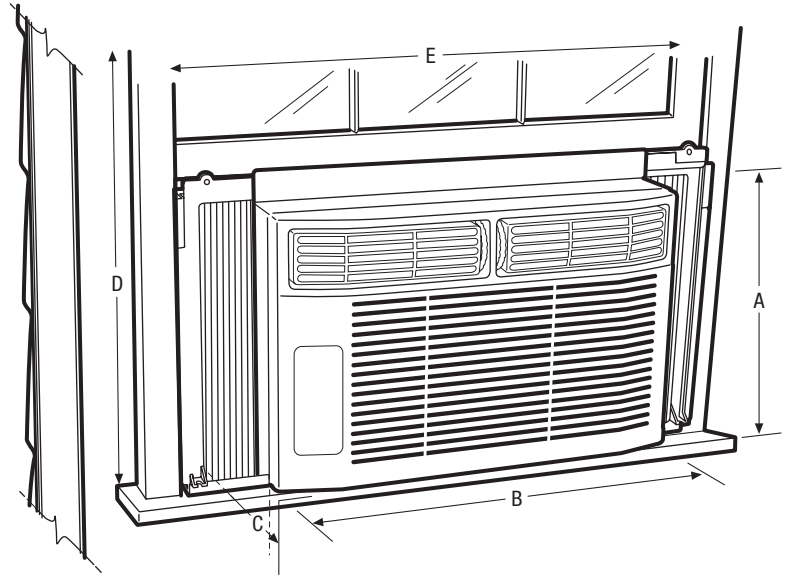
### Quickly Cools

Quickly cool a room on hot days.

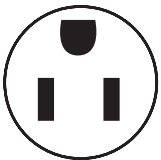
### Comfort Control Design

Easily control the direction of your cool air, wherever your unit is.

<b>Performance</b>	
BTU (Cool)	12,000
Dehumidification (Pints/Hour)	3.8
Cool Area (Sq. Ft.)	640
Energy Efficiency Ratio	9.8
<b>Electrical</b>	
Volts	115
Amps (Cool)	11.0
Watts (Cool)	1,220
Length of Power Cord (Min./Max.)	6' / 6.5'
Plug Type (NEMA)	LC1D1 (5-15P)
<b>Features</b>	
Controls	Mechanical
Fan Speeds (Cool/Fan)	3/3
Low Voltage Start-Up	Yes
Auto Cool Function	
Energy Save	
Sleep Mode	
Filter Check	
24-Hour On/Off Timer	
Clean Air Ionizer	
Remote Control	
Air CFM (High/Med/Low)	264/242/202
Air Direction Control	8-Way
Fresh Air/Exhaust Vent/Closed	Yes/Yes/Yes
Filter Type	Antibacterial Mesh
Filter Access	Tilt-Out
Slide-Out Chassis	
Window Mounting Kit (Included)	Pleated Quick Mount
Warranty <sup>1</sup>	Yes
<b>Certifications</b>	
Performance	AHAM
<b>Specifications</b>	
Refrigerant	R410a
Shipping Weight (Approx.)	74 Lbs.



<sup>1</sup>Warranty 5 year sealed system/1 year full parts and labor.



Plug Type (NEMA)  
5-15P

**NOTE:** For planning purposes only. Always consult local and national electric codes. Refer to Product Installation Guide for detailed installation instructions on the web at [frigidaire.com](http://frigidaire.com).



Product Dimensions	
A - Height	14-1/2"
B - Width	19"
C - Depth	19"

Window Dimensions	
D - Height (Min.)	15-1/2"
E - Width (Min./Max.)	23" / 36"

Accessories information available on the web at [frigidaire.com](http://frigidaire.com)

**FRIGIDAIRE**

USA • 10200 David Taylor Drive • Charlotte, NC 28262 • 1-800-FRIGIDAIRE • [frigidaire.com](http://frigidaire.com)  
 CANADA • 5855 Terry Fox Way • Mississauga, ON L5V 3E4 • 1-800-265-8352 • [frigidaire.ca](http://frigidaire.ca)  
 FRA122BU1 04/11