



Double Wall Ovens

FFET2725L S/W/B

27" Electric



Signature Features

Ready-Select™ Controls

Easily select options or control cooking temperature with our easy-to-use controls.

Large Capacity

Two large capacity ovens give you room to cook more at once.

Even Baking Technology

Our latest technology ensures even baking every time.

Self-Cleaning

Ovens clean themselves—so you don't have to.

Product Dimensions

Height	50-7/16"
Width	27"
Depth	24-1/2"

More Easy-To-Use Features

Vari-Broil™ Option

Allows you to choose between two heat levels.

Keep Warm

Timer Lock-Out

Oven Rack Handles

Oven racks are designed with space for you to easily pull out the racks, even when wearing an oven mitt.

Extra-Large Windows

Our extra-large oven windows let you easily see what's inside.

Bright Oven Lighting

Our bright lighting makes it easy to see what's inside.

Delay Clean

Set the ovens to begin cleaning on your schedule.

Delay Bake

Timed Cook Option

Timer Function

Auto Shut-Off

As an extra safety measure, the oven will automatically shut off after 12 hours.

Attractive Stainless Steel Exterior¹

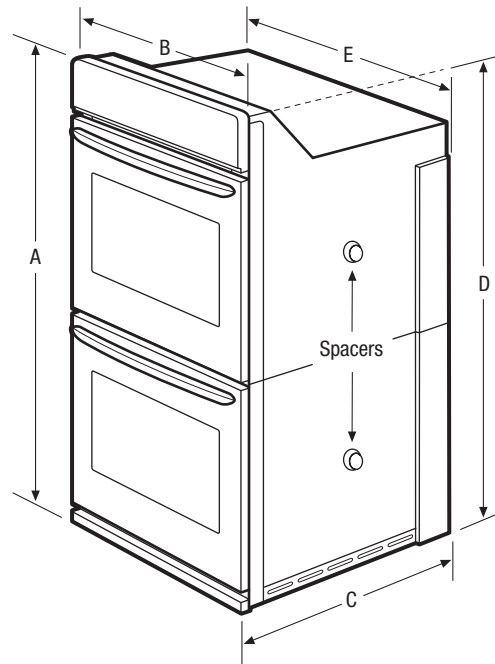
Sabbath Mode (Star-K® Certified)

Available in:



¹Select models only.

Features	
Oven Control/Timing System	Ready-Select™
Windows	Extra-Large
Exterior Door Finish	Stainless Steel (S), Color-Coordinated (W/B)
Handle Design	Stainless Steel (S), Color-Coordinated (W/B)
Oven Cleaning System	Self Clean
Oven Controls	
Bake/Broil	Yes/ Variable (400 - 500 °F)
Convection Conversion	
Convection Bake/Broil/Roast	
Quick Bake Convection	
PowerPlus™/Quick Preheat	
My Favorite	
Chicken Nugget Button	
Pizza Button	
Keep Warm	Yes
Add-a-Minute	
Delay Bake	Yes
Self-Clean	Yes
Rapid/Quick Clean Option	
Delay Clean	2, 3, 4 Hours
Kitchen Timer	Yes
Timed Cook Option	Yes
Control Lock	Yes
Auto Oven Shutoff	12 Hours
Oven Lock-Out	
Upper Oven Features	
Capacity (Cu. Ft.)	3.5
Convection System	
Oven Light	1
Hidden Bake Element	
Rack Configuration	2 Handle Racks
Baking System	Even Baking Technology
Broiling System	Vari-Broil™
Bake/Broil Element (Watts)	2,300 / 3,400
Lower Oven Features	
Capacity (Cu. Ft.)	3.5
Convection System	
Oven Light	1
Hidden Bake Element	
Rack Configuration	2 Handle Racks
Baking System	Even Baking Technology
Broiling System	Vari-Broil™
Bake/Broil Element (Watts)	2,300 / 3,400
Certifications	
A.D.A. Compliant	
Sabbath Mode (Star-K® Certified)	Yes
Specifications	
Oven Interior (H x W x D)	16-1/2" x 20-1/2" x 18-1/32"
Power Supply Connection Location	Left Bottom Rear
Voltage Rating	240V / 208V / 60Hz
Connected Load (kW Rating) @ 240/208 Volts ¹	6.8 / 5.1
Amps @ 240/208 Volts	28.0 / 25.0
Minimum Circuit Required (Amps)	40
Shipping Weight (Approx.)	275 Lbs.



NOTE: For planning purposes only. Always consult local and national electric codes. Refer to Product Installation Guide for detailed installation instructions on the web at frigidaire.com.



Product Dimensions		Cutout Dimensions	
A - Height	50-7/16"	Height (Min.)	48-7/8"
B - Width	27"	Height (Max.)	49-7/8"
C - Depth	24-1/2"	Width (Min.)	24-7/8"
D - Height (Wrapper)	48-5/8"	Width (Max.)	25-1/4"
E - Width (Wrapper)	24-5/8"	Depth (Min.)	23-1/2"
Depth with Door Open 90°	44-1/2"		

¹Single phase 3- or 4-wire cable, 120 / 240 or 120 / 208 Volt, 60 Hertz AC only electrical supply with ground required on separate circuit fused on both sides of line.

Accessories information available on the web at frigidaire.com